

BeBa_26078 & BeBa_26774

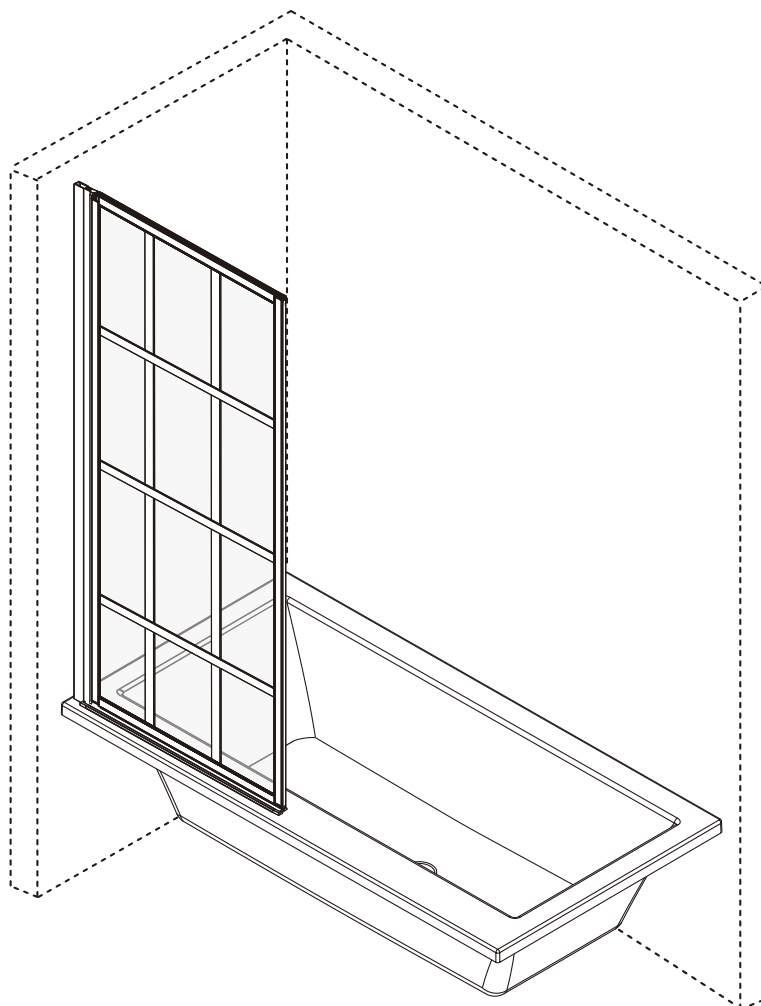
The micro protective layer formed during its application will make the water bead along the glass for easy maintenance.

We recommend cleaning the door with the squeegee after each use.

THE MAINTENANCE OF YOUR SHOWER

Never use of powder or scouring pads. Simply clean the door with a solution of water and vinegar, 1 to 5. You can use a mild detergent but never use ammoniac, it could damage the glass surface.

The instructions shown in the manual is for the installation of the left door.



INSTALLATION MANUAL

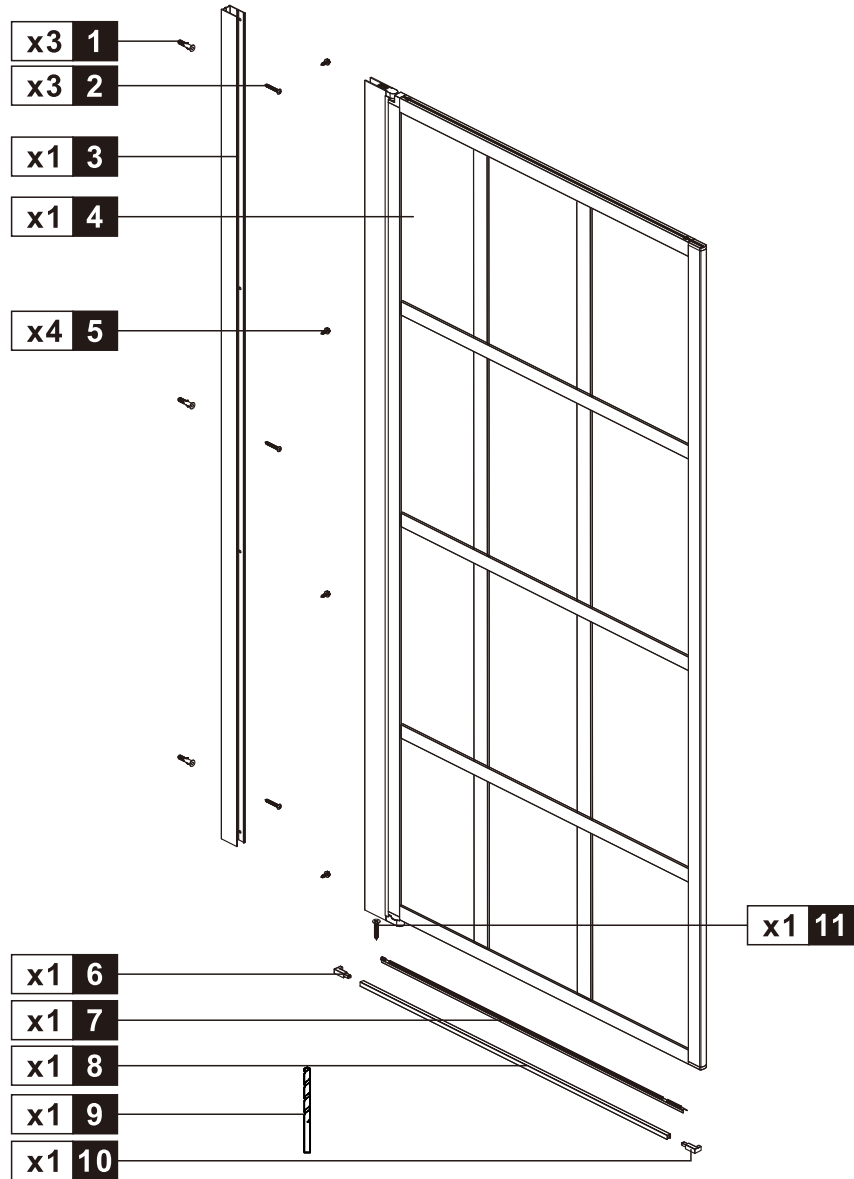
IMPORTANT

- Thoroughly inspect your product before proceeding with the installation.
- The warranty will be void if the product is installed with a conspicuous defect.
- Before commencing drilling please check that no pipes or cables can be damaged.

CAUTION

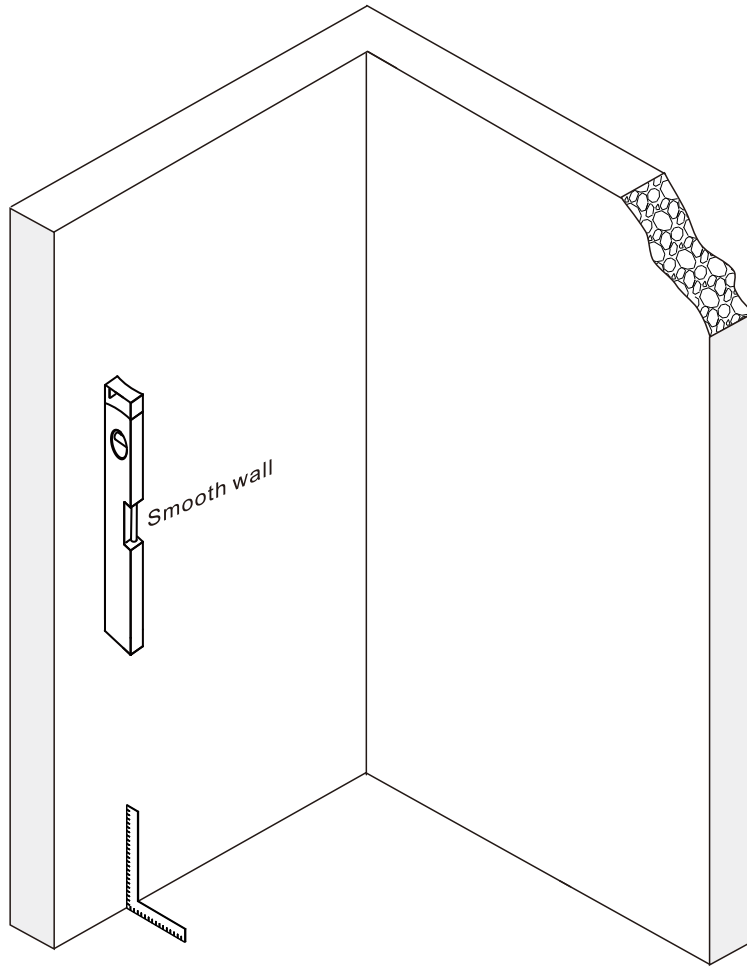
- To prevent leaks, silicone must be applied on the outside of the shower and not on the inside!
- Read all instructions carefully before starting the installation.
- Save this manual for future reference.

PARTS LIST

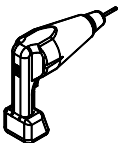


NO	Qty	Description	NO	Qty	Description
1	3	Wall plug	7	1	Bottom gasket
2	3	Screw ST4*30	8	1	Bottom threshold
3	1	Wall profile	9	1	Drill bit
4	1	Glass panel	10	1	Threshold cover R
5	4	Installation screw ST4*12	11	1	Pivot screw ST3.5*20
6	1	Threshold cover L			

PARTS LIST



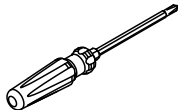
TOOLS AND MATERIALS REQUIRED



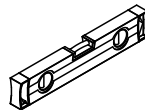
PERCEUSE
DRILL



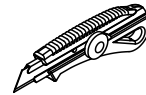
VIS
SCREWS



TOURNEVIS
SCREWDR



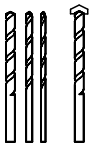
NIVEAU
LEVEL



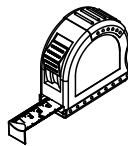
COUTEAU DE PRECISION
PRECISION KNIFE



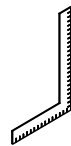
SILICONE
SILICONE



FORETS: 1/8", 3/16" ET 1/4"
*FORET À MAÇONNERIE
DRILL BITS: 1/8", 3/16" ET 1/4"
*MASONRY DRILL BIT



RUBAN À MESURER
MEASURING TAPE



ÉQUERRE
SET SQUARE



CRAYON
PENCIL

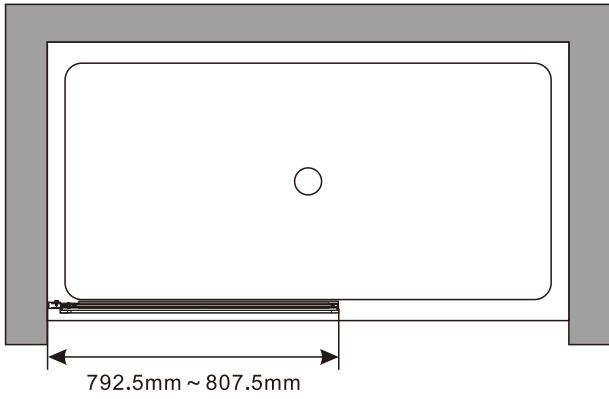


MAILLET
MALLET

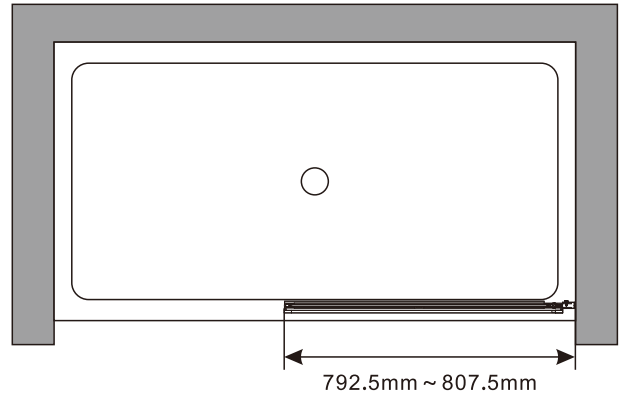
CONTINUED

A 01

LEFT

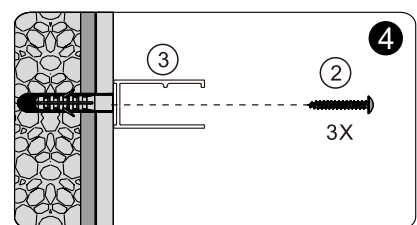
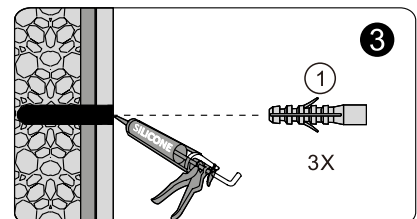
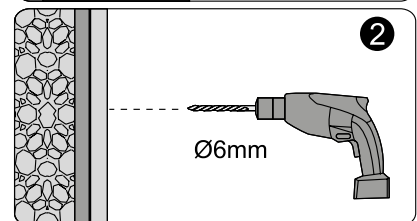
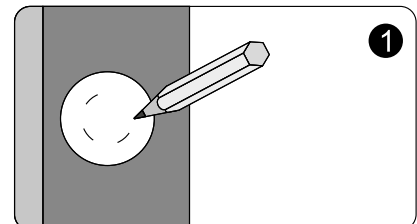
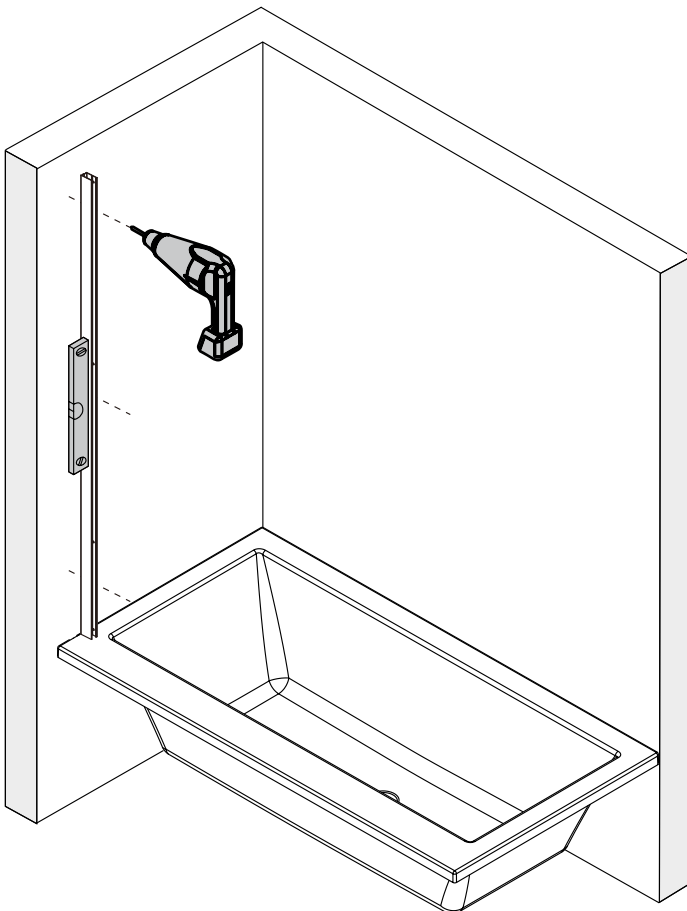


RIGHT



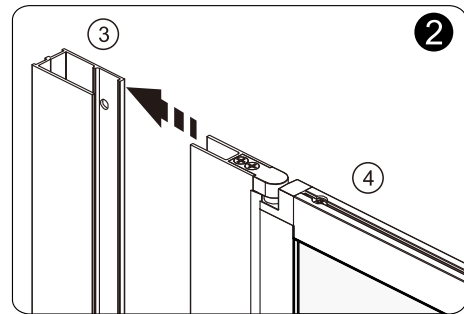
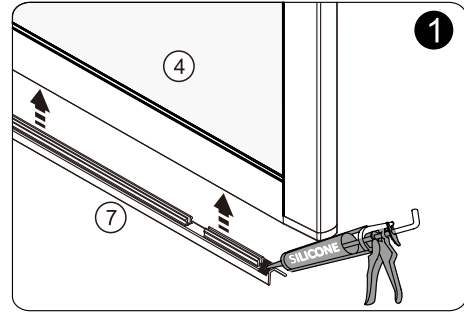
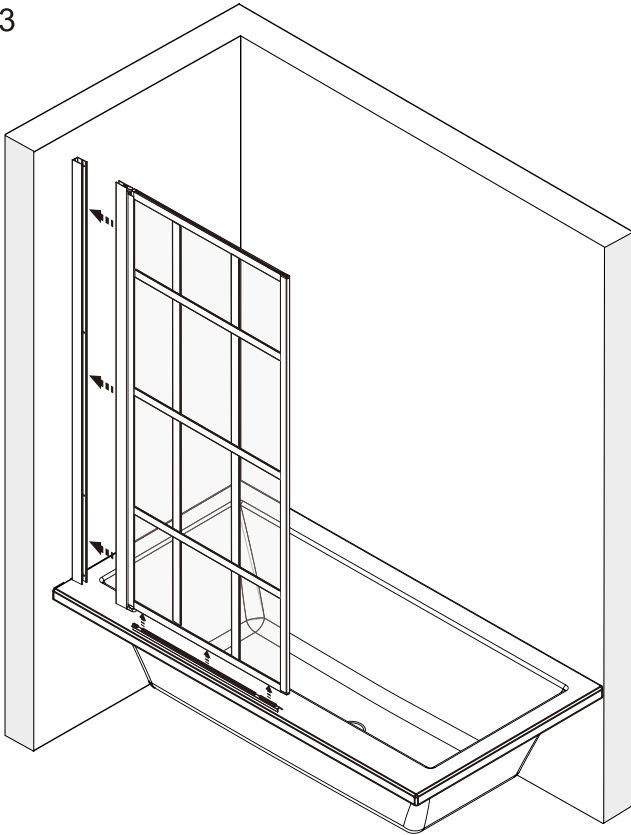
CONTINUED

A 02



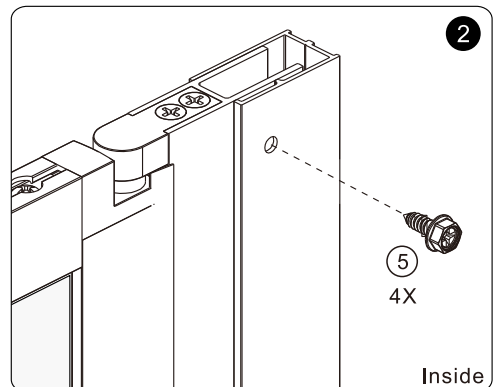
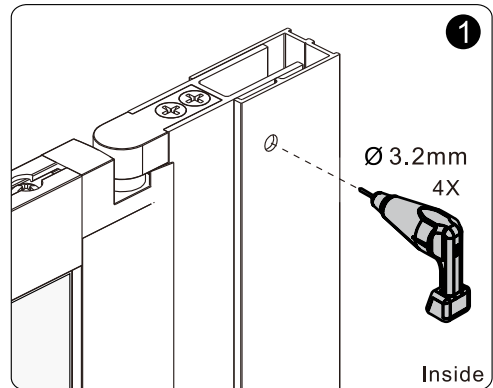
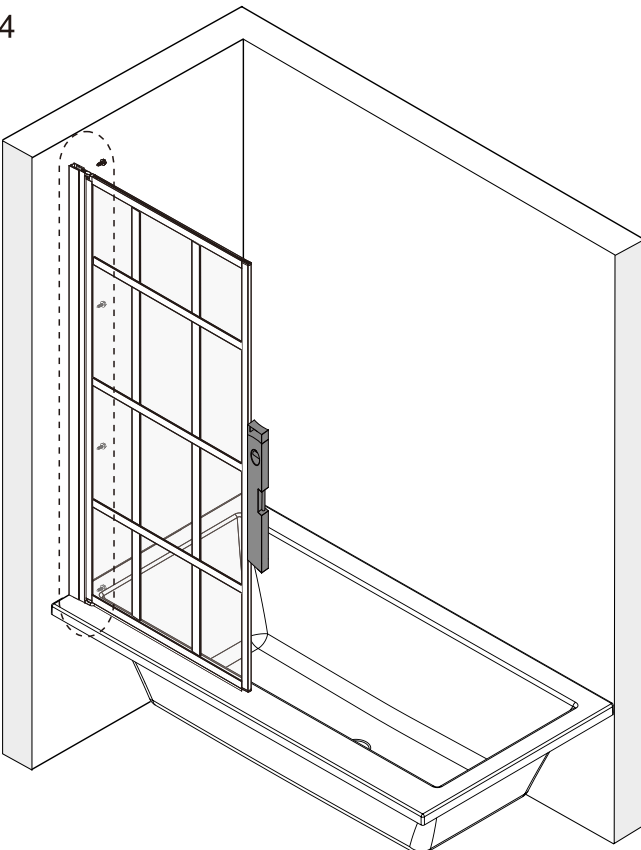
CONTINUED

A 03



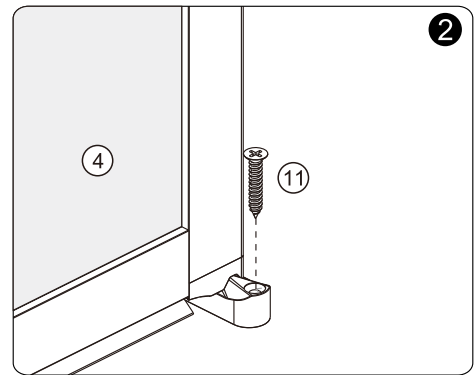
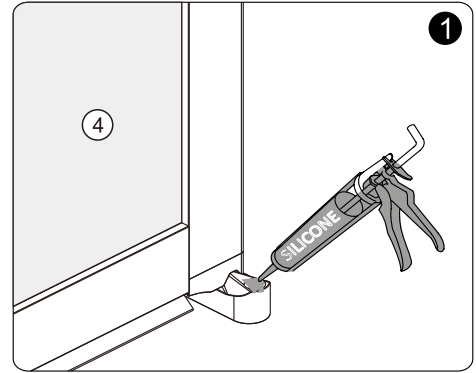
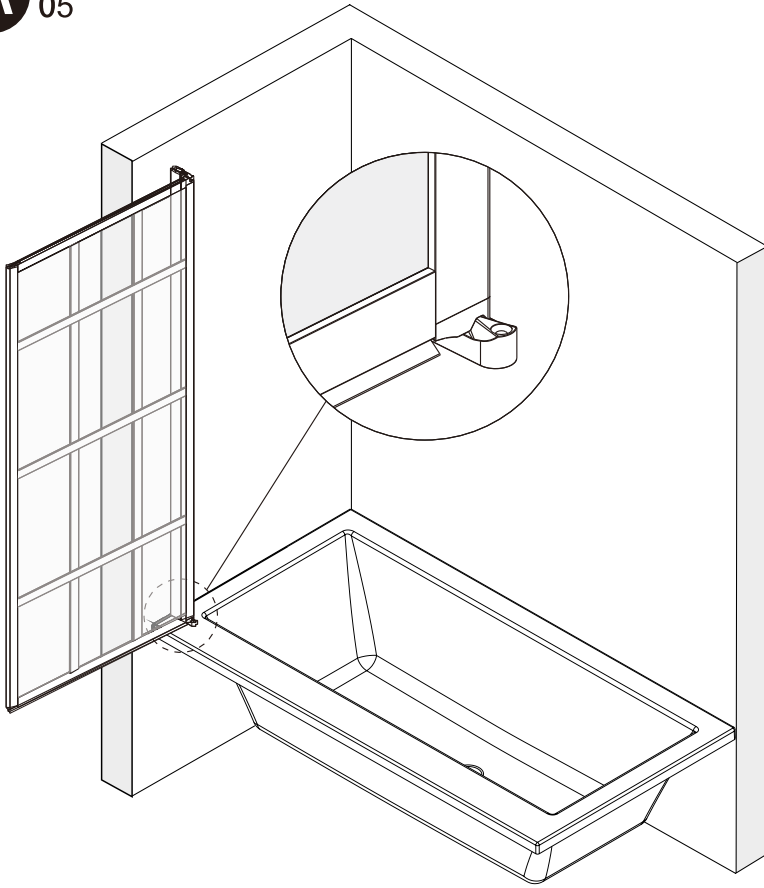
CONTINUED

A 04



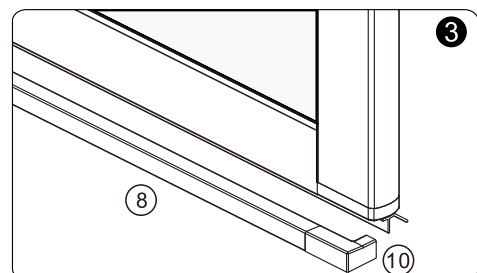
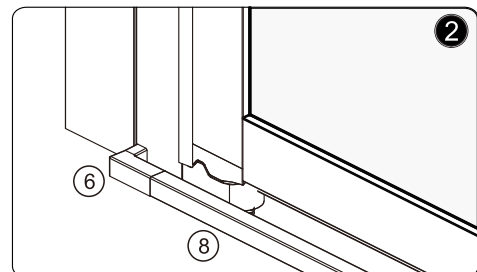
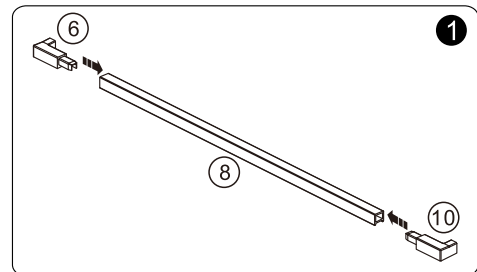
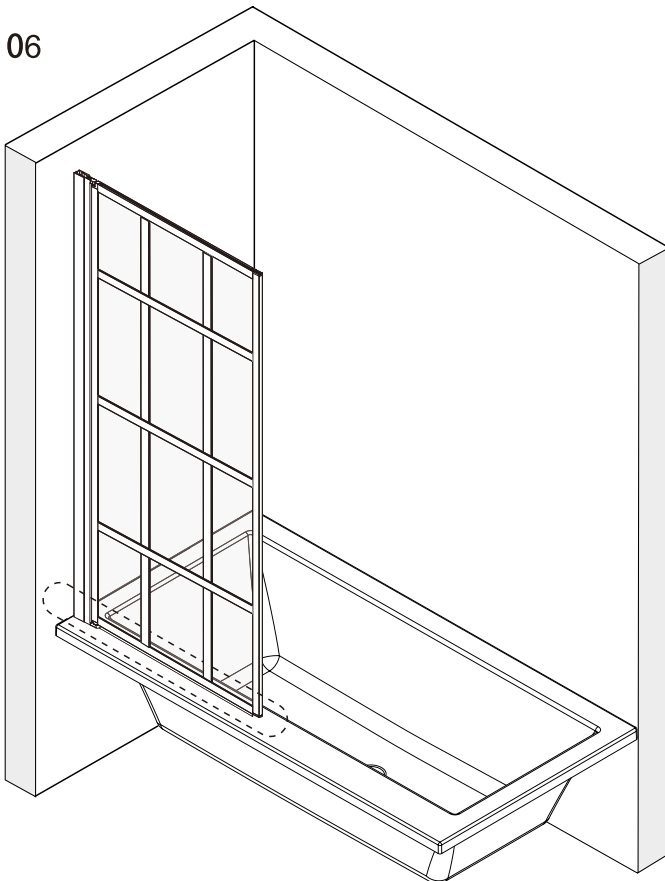
CONTINUED

A 05



CONTINUED

A 06



A 07

