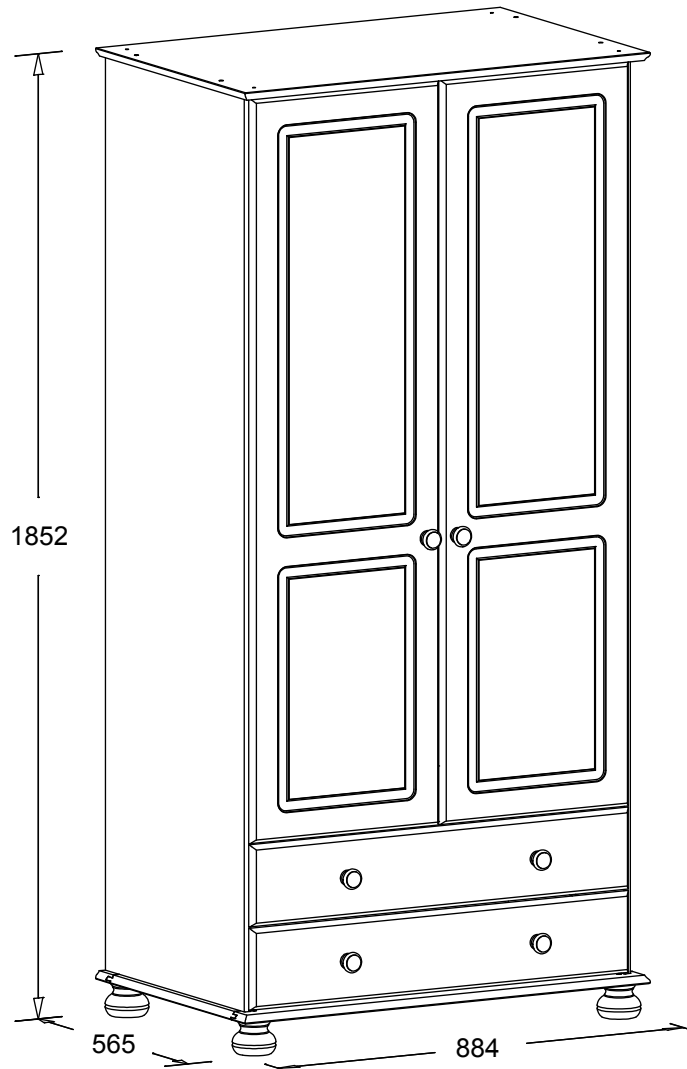
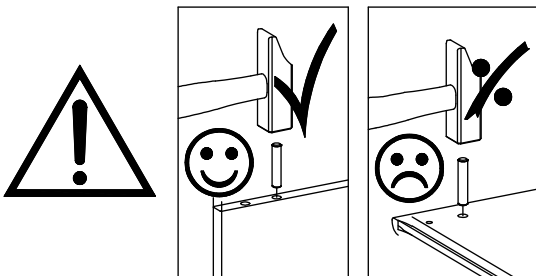


2 Door 2 Drawer Wardrobe

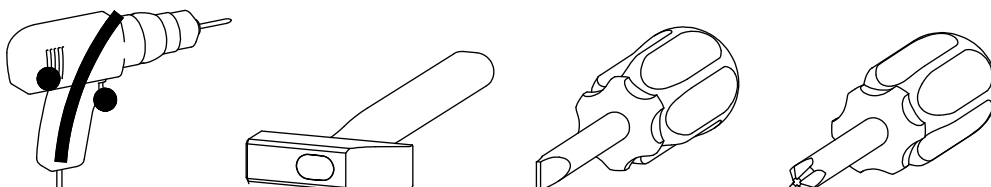
1012901

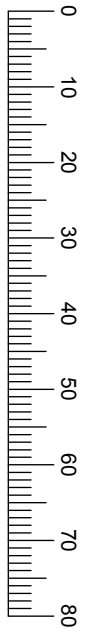
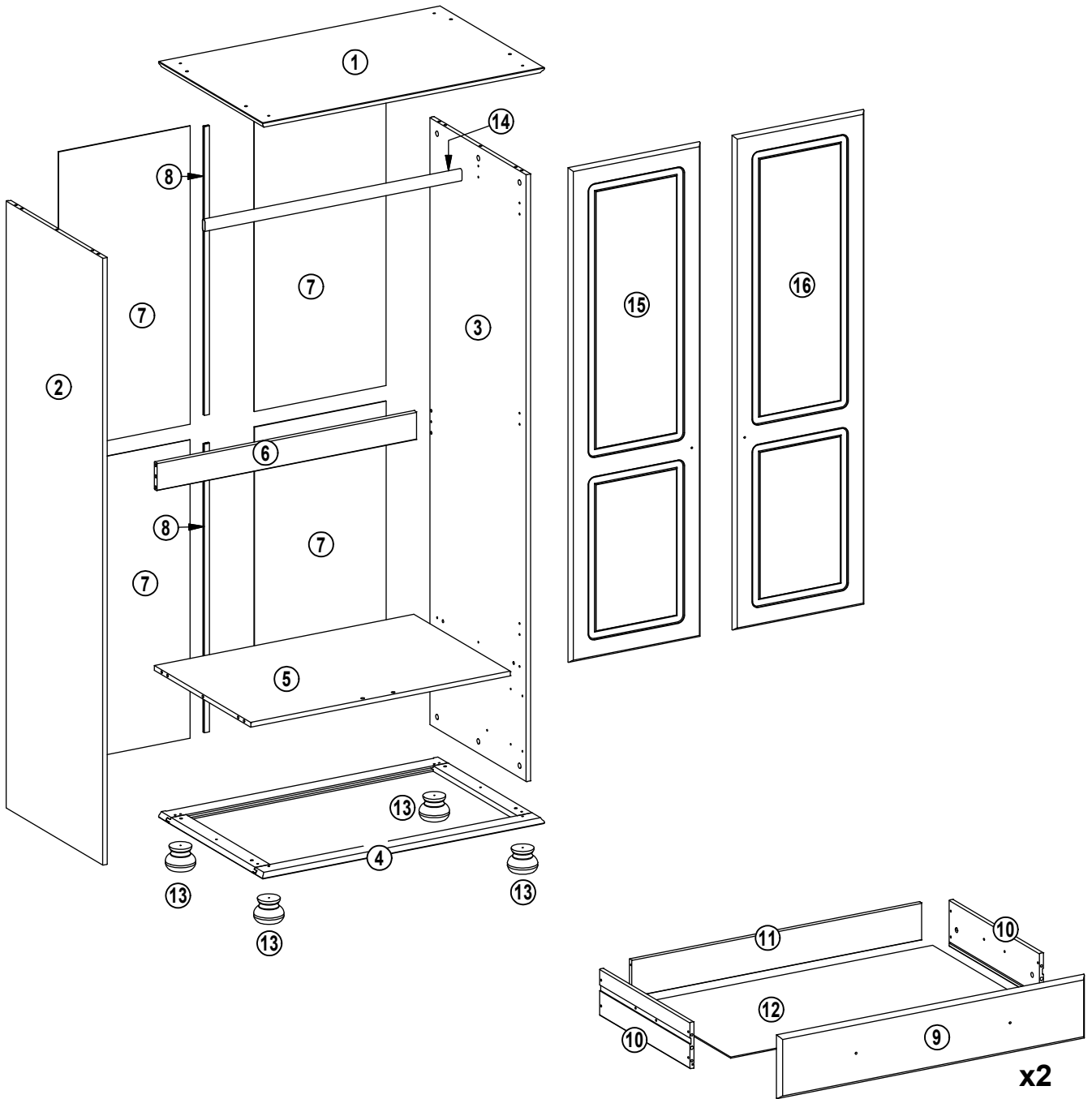


Important!



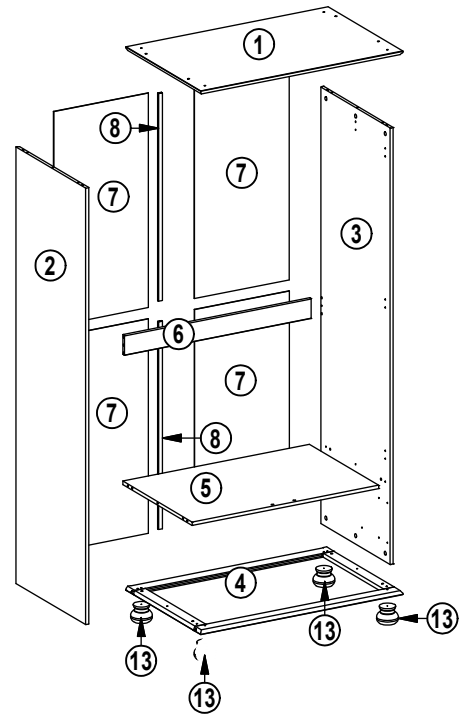
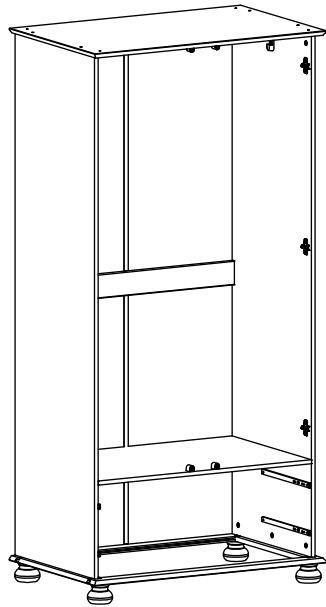
Please, read the assembly instruction carefully, before assembling.



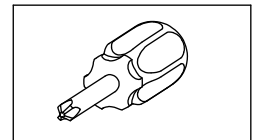
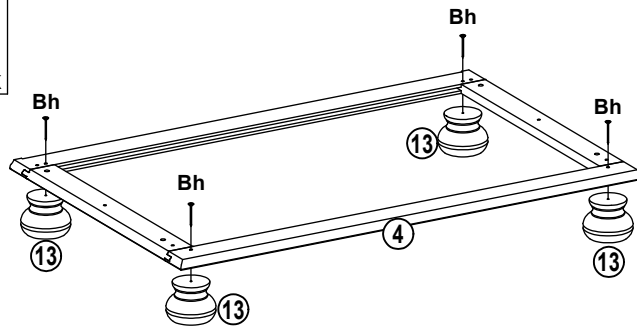
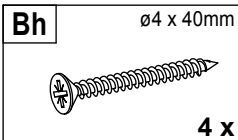


Aa ∅7,8 x 40mm 16 x	Ab ∅6 x 30mm 8 x	Ba ∅3,5 x 35mm 8 x	Bc ∅3,5 x 15mm 14 x	Bh ∅4 x 40mm 4 x
Bo ∅3 x 12mm 4 x	Ca ∅15 x 10,5mm 20 x	Cb ∅5 x 8, cc34mm 24 x	Cq ∅12 x 9,5mm 4 x	Di 1,2 x 15mm 75 x
Fl 2 x	Gn ∅39 x 30mm 6 x	Ha M4 x 10mm 4 x	Jc ∅4 x 35mm 6 x	Kb ∅5,8 x 8mm 12 x
Mc 0mm 6 x	Me ∅26mm 6 x	Pc 4 x	Pd 35 x 12mm 4 x	Sa 310 x 17 x 10mm 4 x

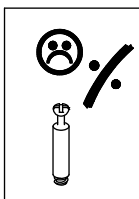
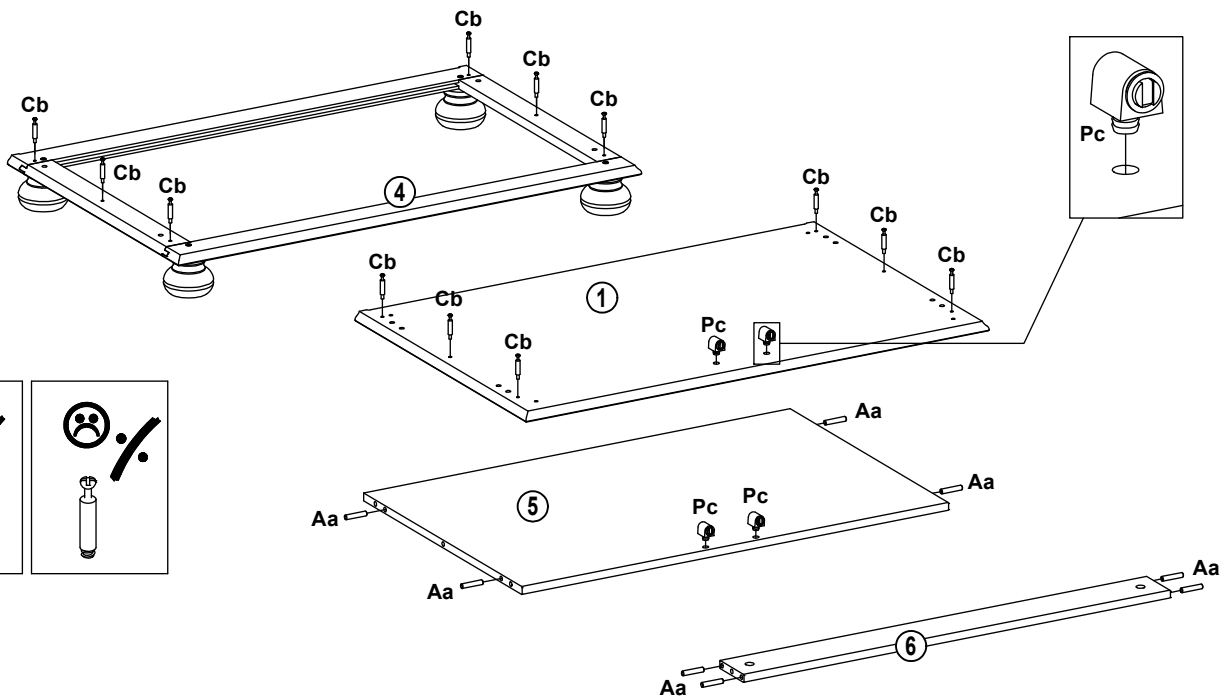
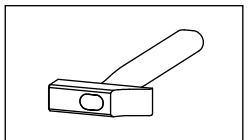
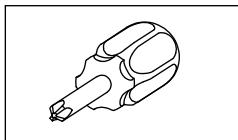
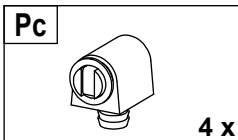
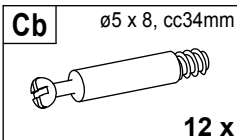
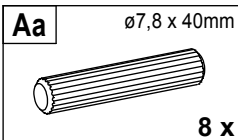
1



1.1



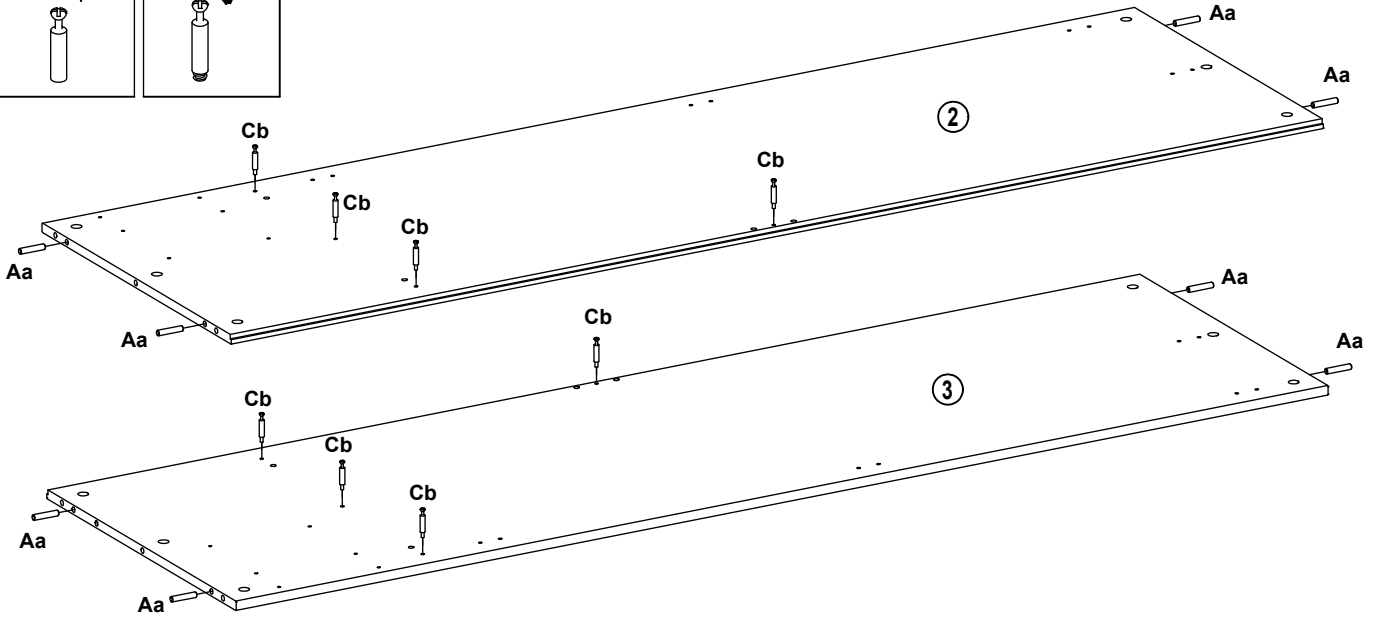
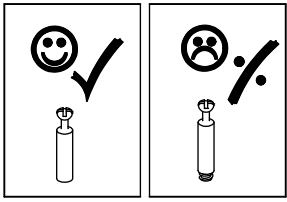
1.2



1.3

Aa	∅7,8 x 40mm	Cb	∅5 x 8, cc34mm
-----------	-------------	-----------	----------------

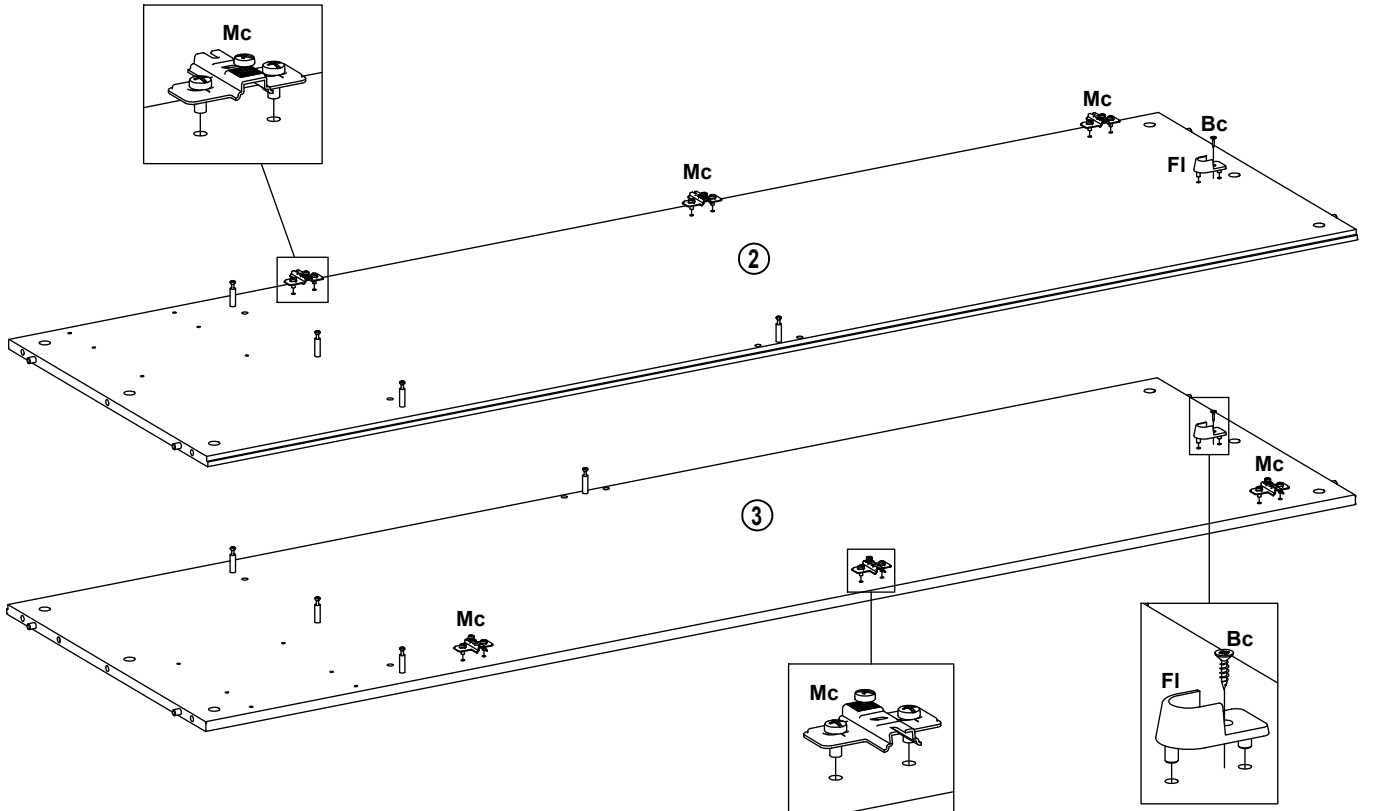
8 x 8 x



1.4

Bc	∅3,5 x 15mm	Fl		Mc	0mm
-----------	-------------	-----------	--	-----------	-----

2 x 2 x 6 x



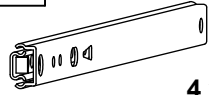
1.5

Kb $\varnothing 5,8 \times 8\text{mm}$ 

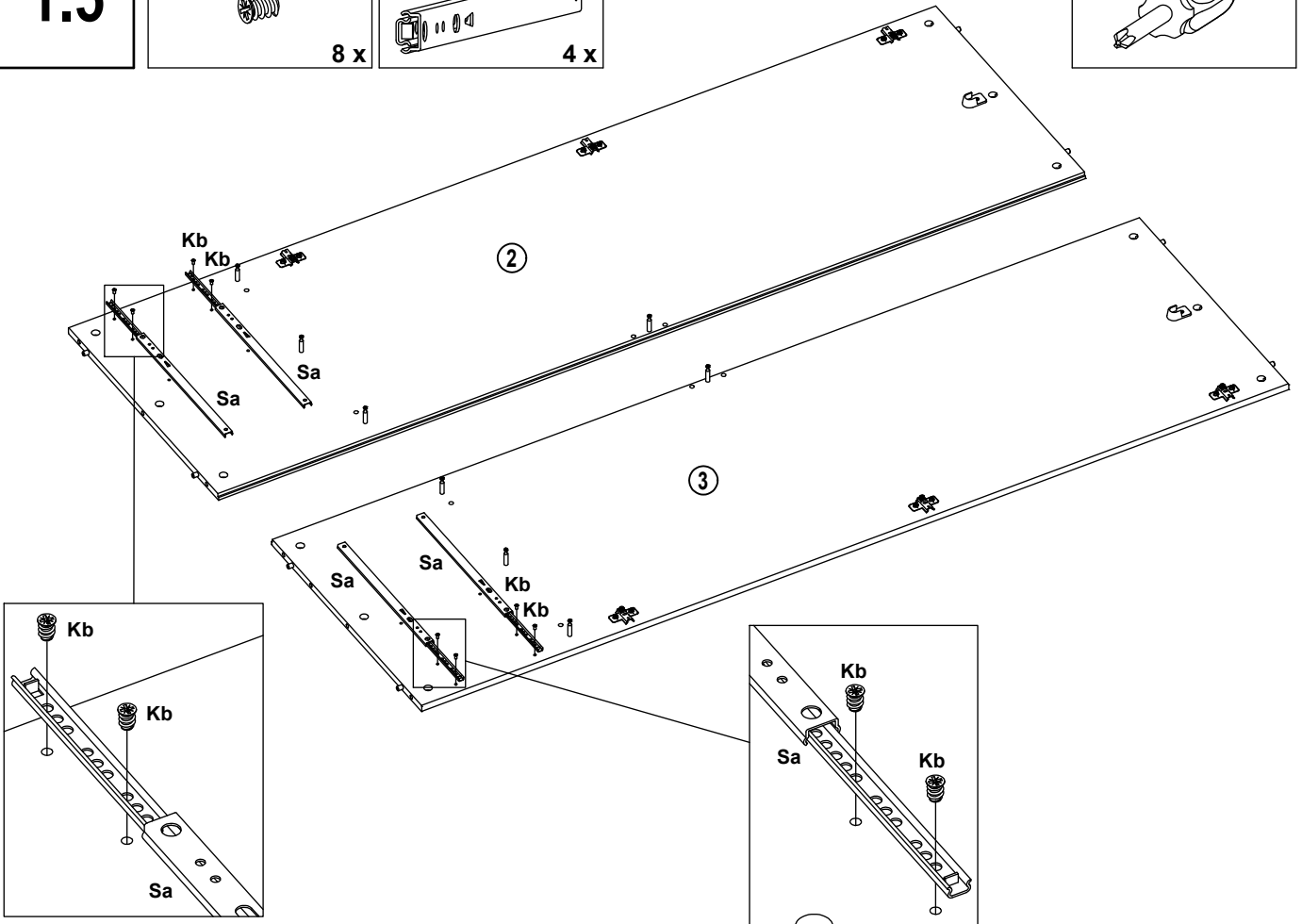
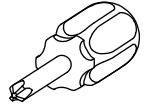
8 x

Sa

310 x 17 x 10mm



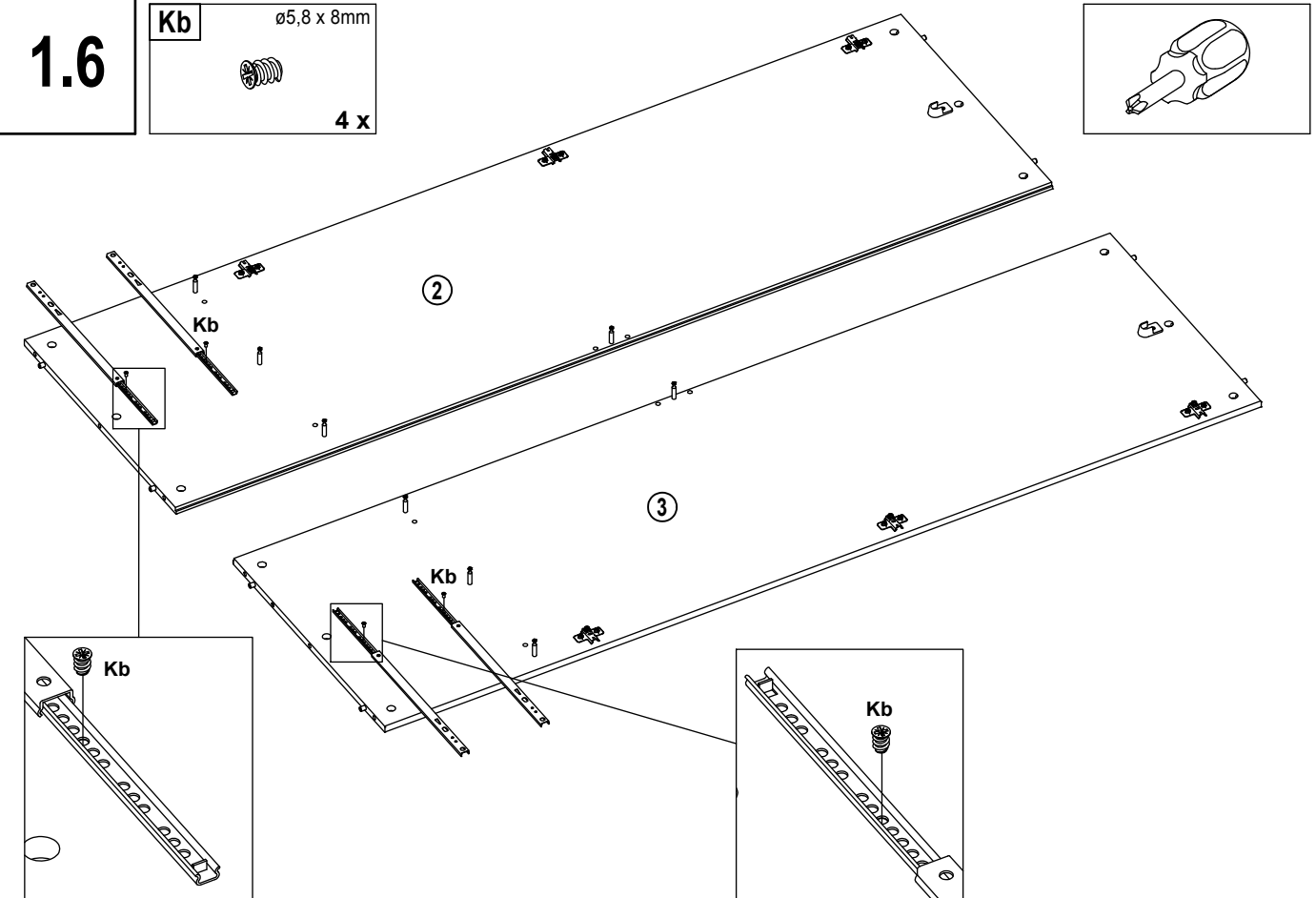
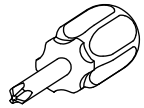
4 x



1.6

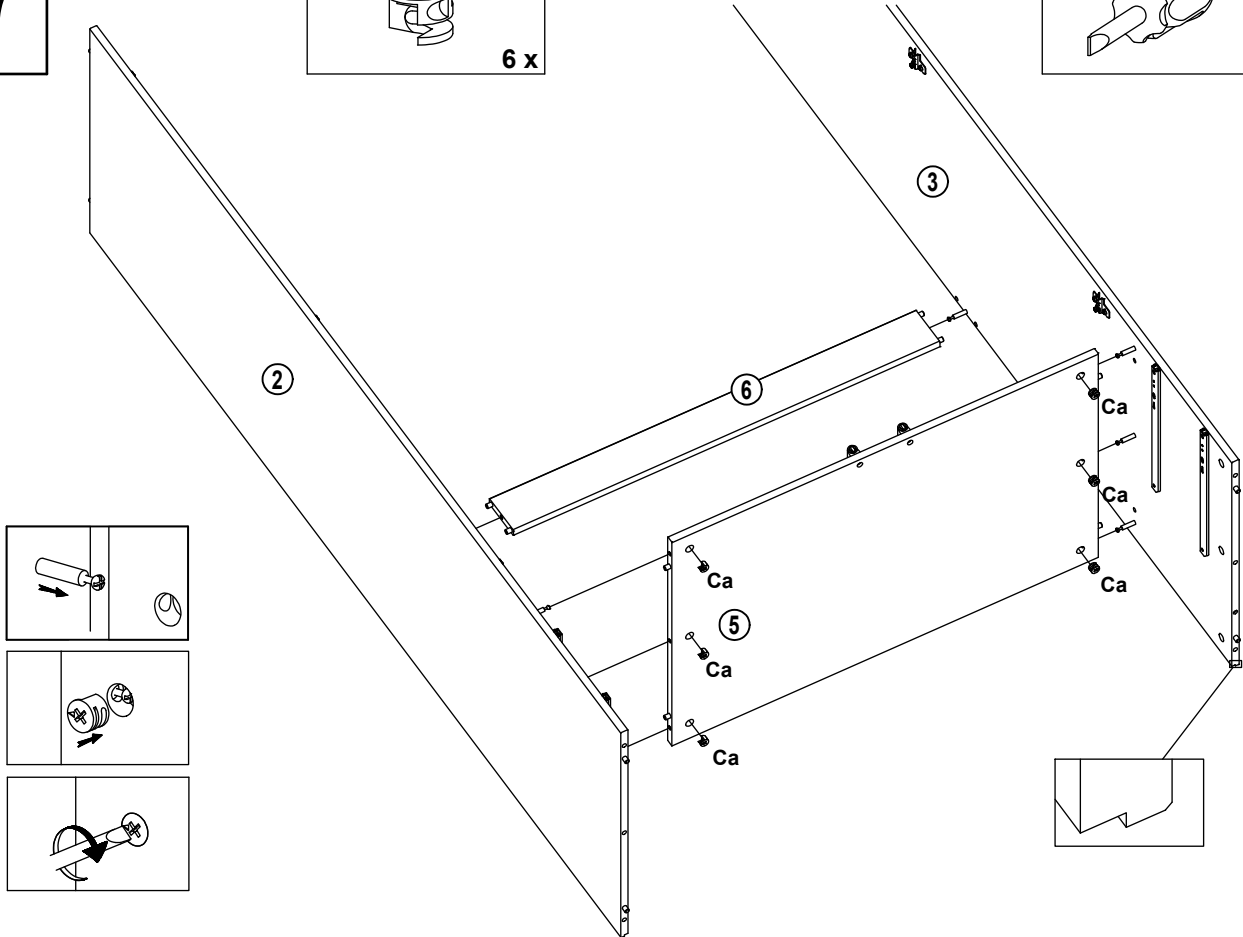
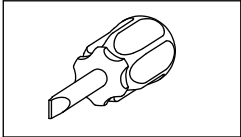
Kb $\varnothing 5,8 \times 8\text{mm}$ 

4 x



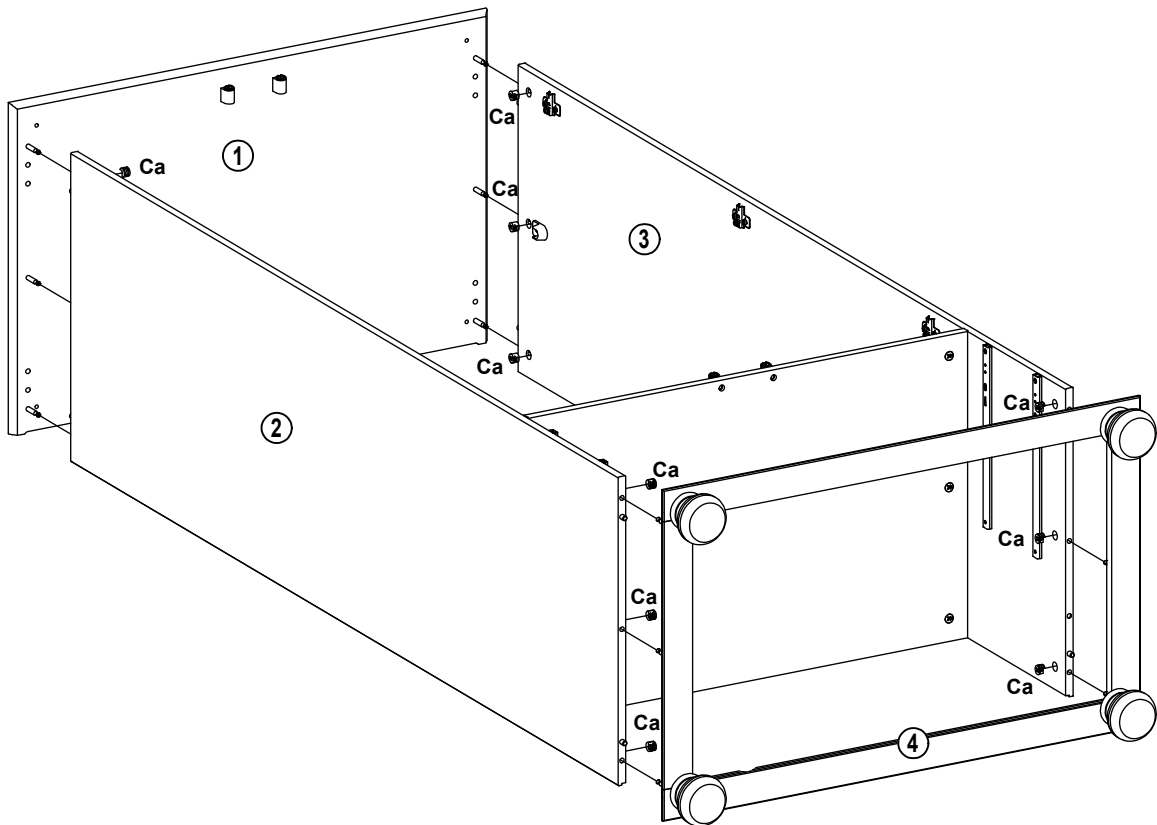
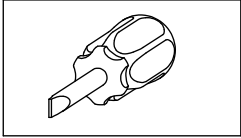
1.7

Ca $\varnothing 15 \times 10,5\text{mm}$
6 x




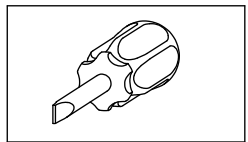
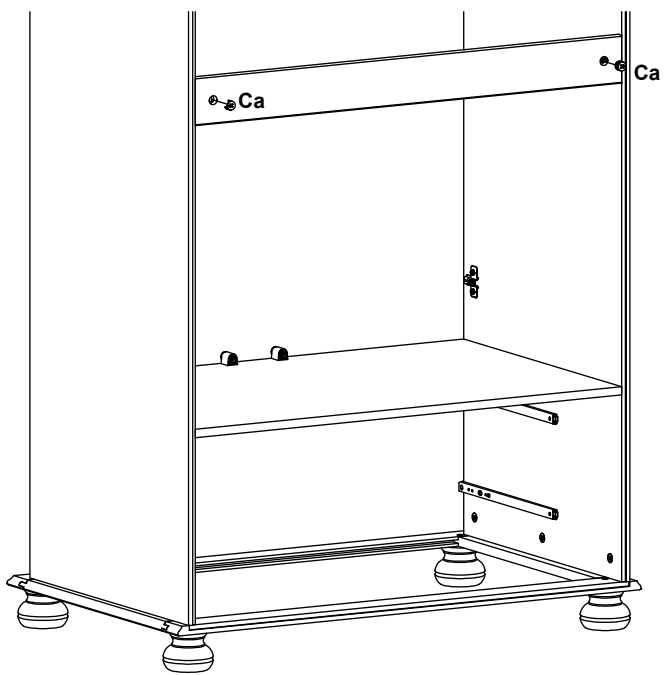
1.8

Ca $\varnothing 15 \times 10,5\text{mm}$
12 x




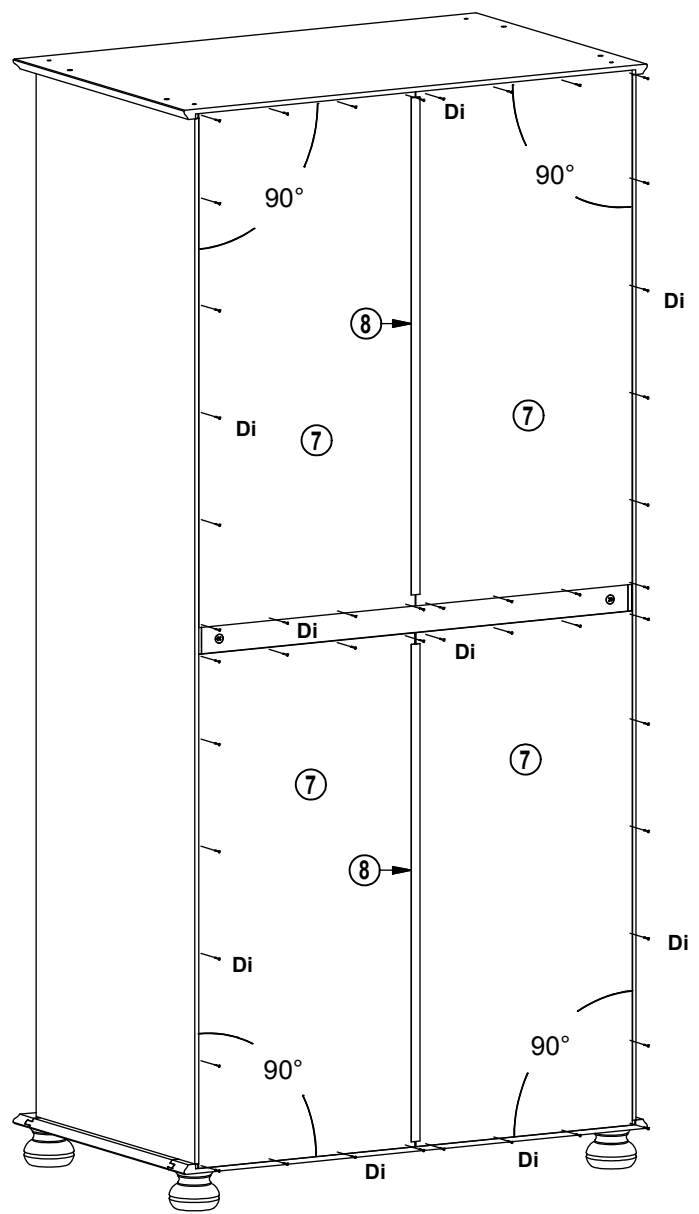
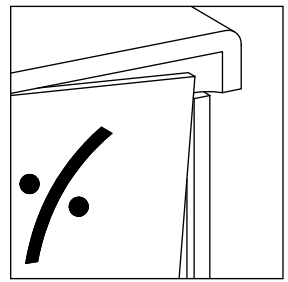
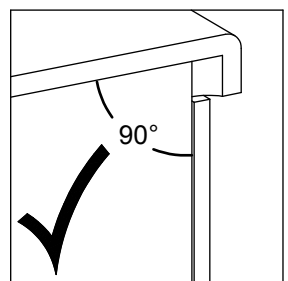
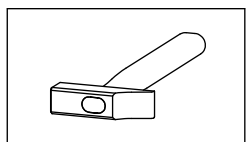
1.9

Ca $\varnothing 15 \times 10,5\text{mm}$

2 x

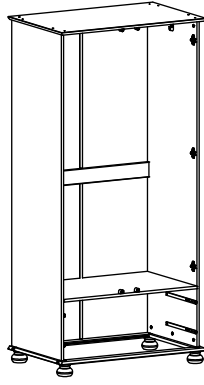


1.10

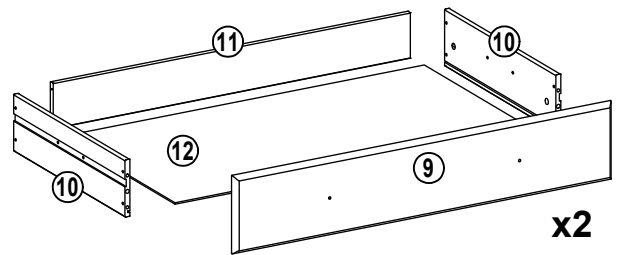
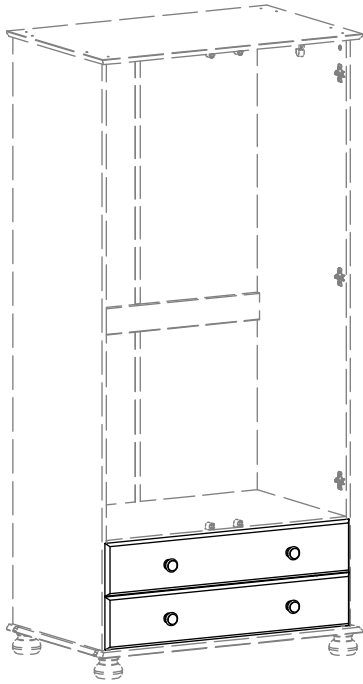
Di $1,2 \times 15\text{mm}$

48 x



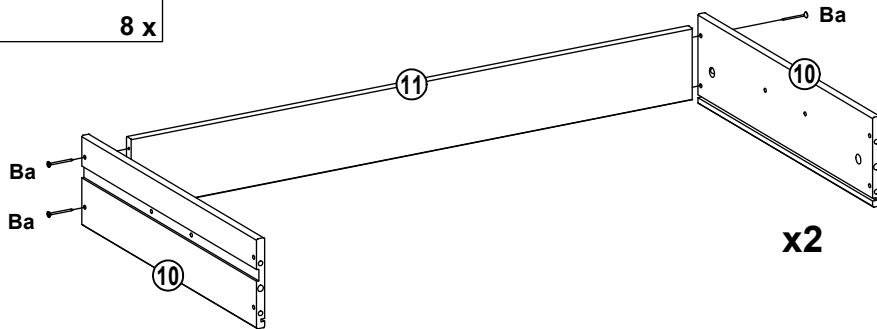
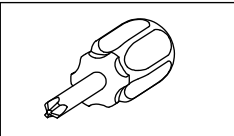
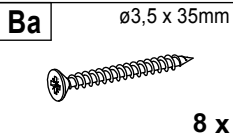
1.11



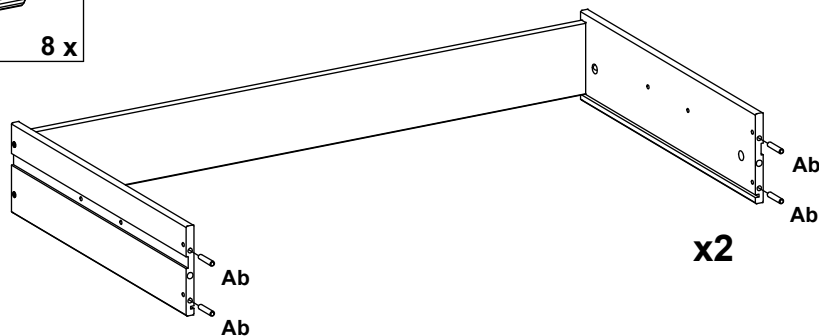
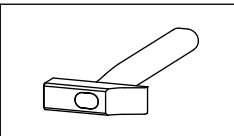
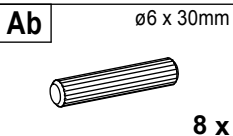
2



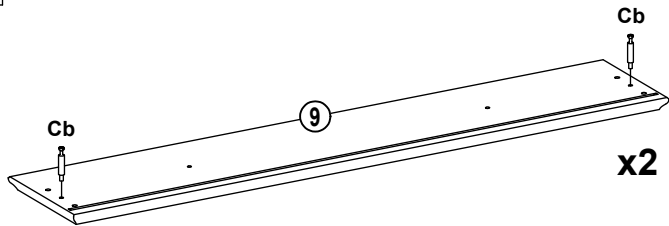
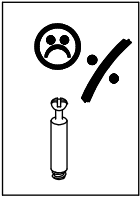
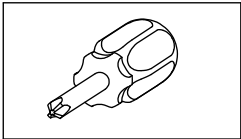
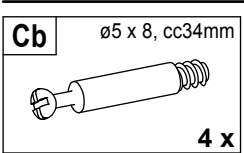
2.1



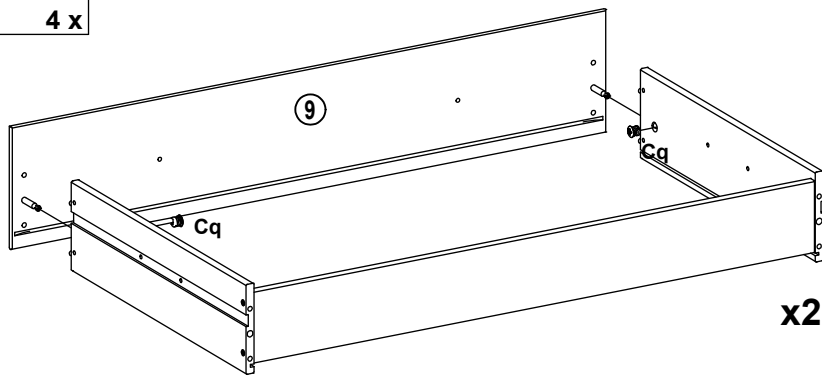
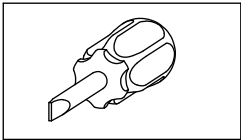
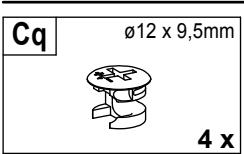
2.2



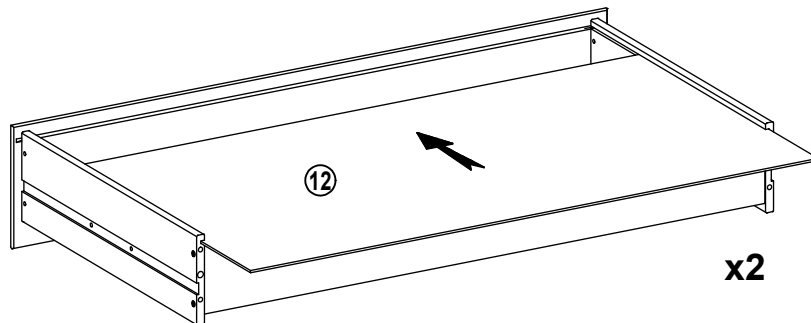
2.3



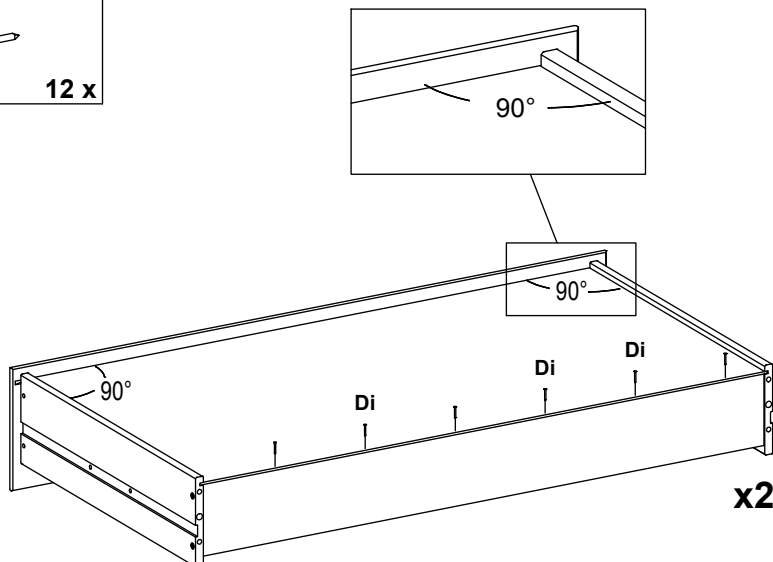
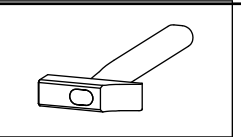
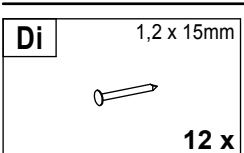
2.4



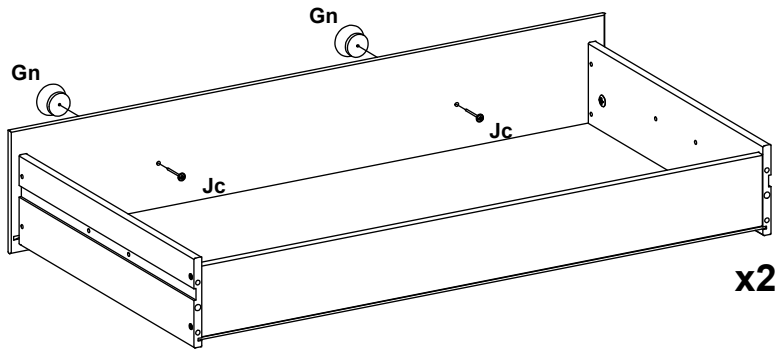
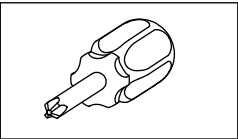
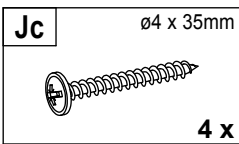
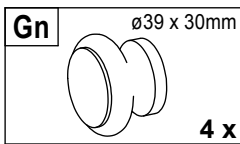
2.5



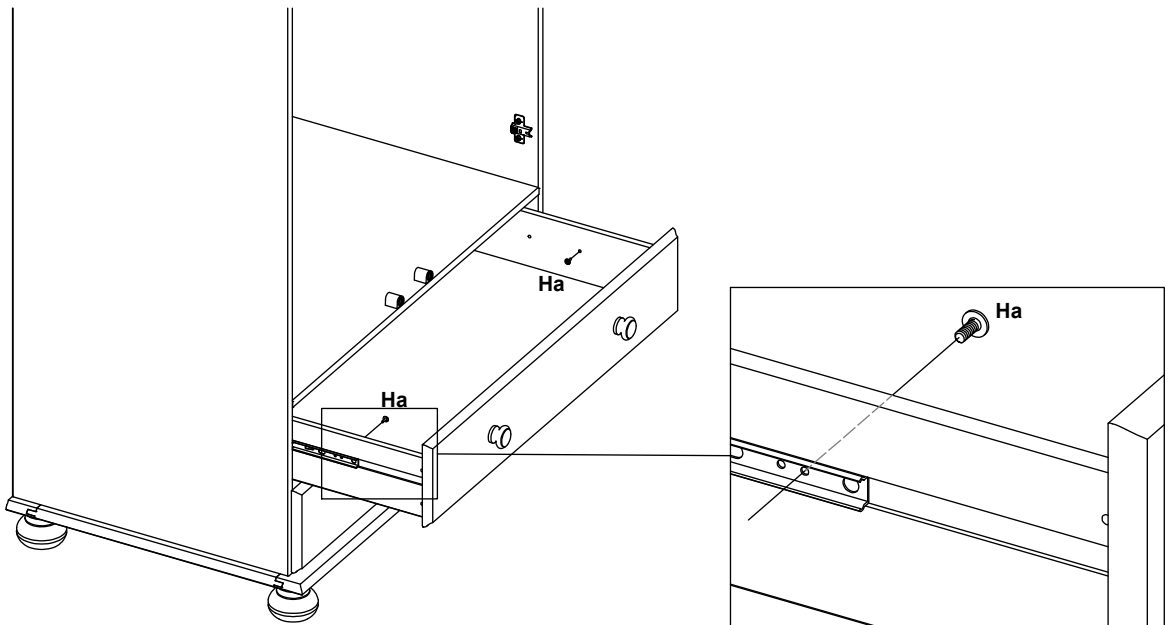
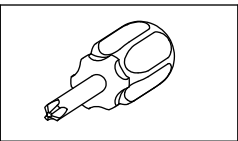
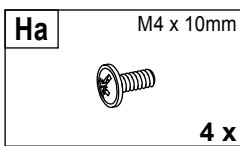
2.6



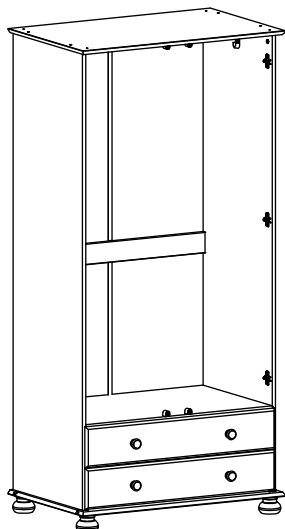
2.7



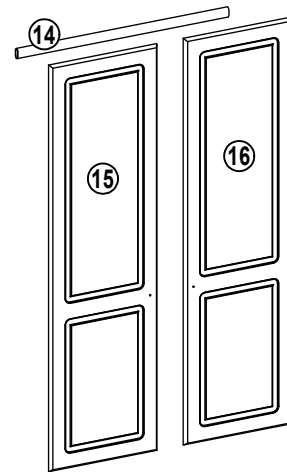
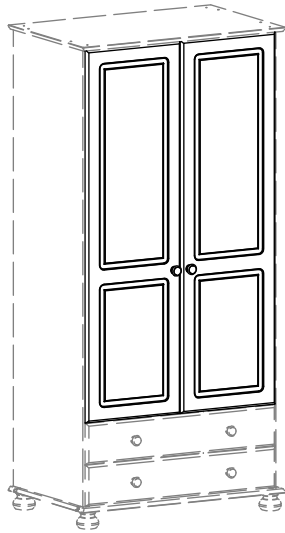
2.8




2.9





3

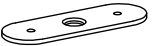


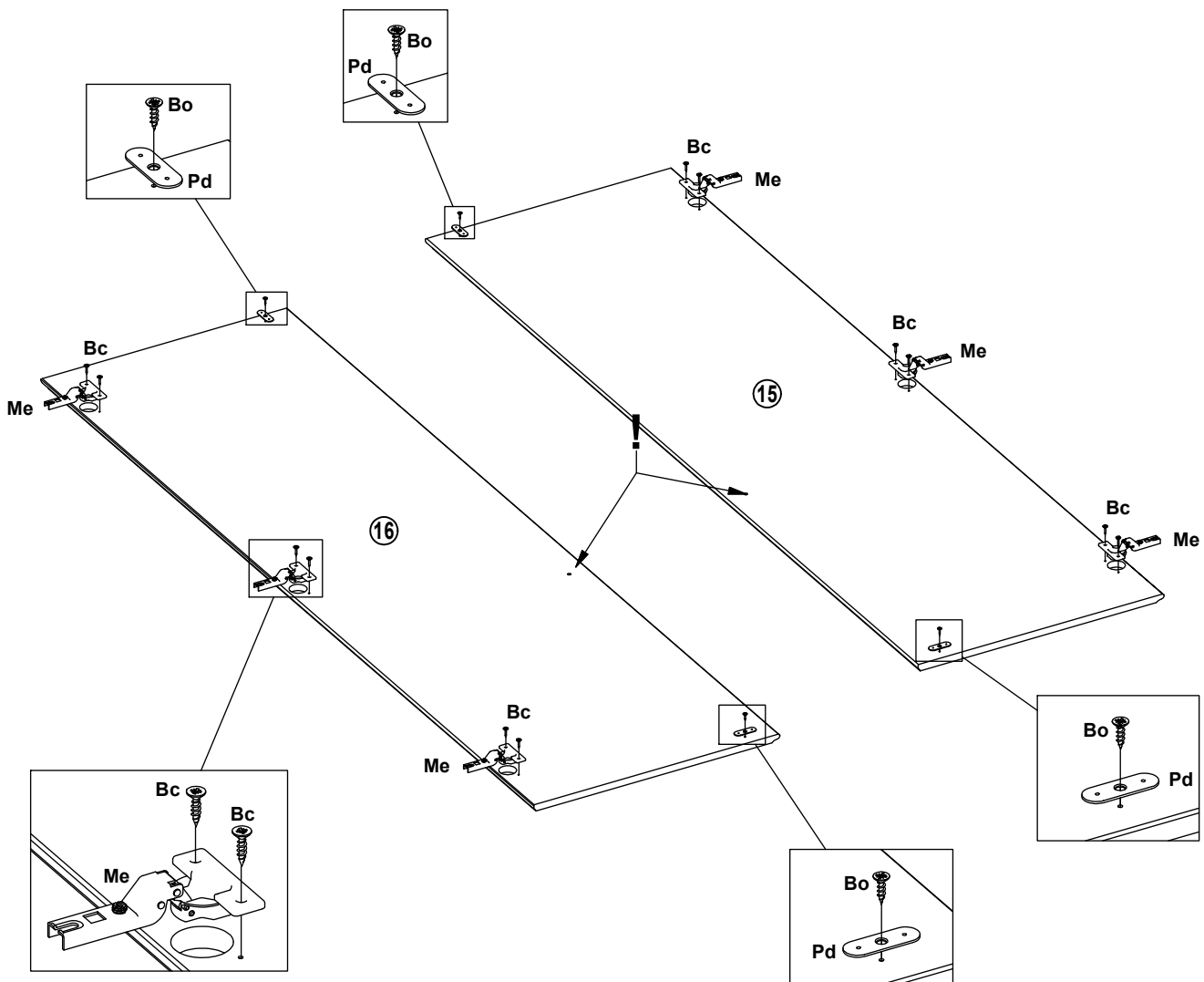
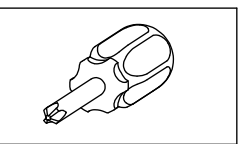
3.1

Bc $\varnothing 3,5 \times 15\text{mm}$

12 x

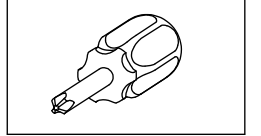
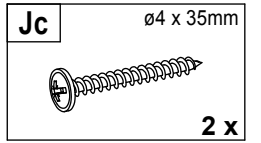
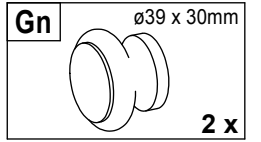
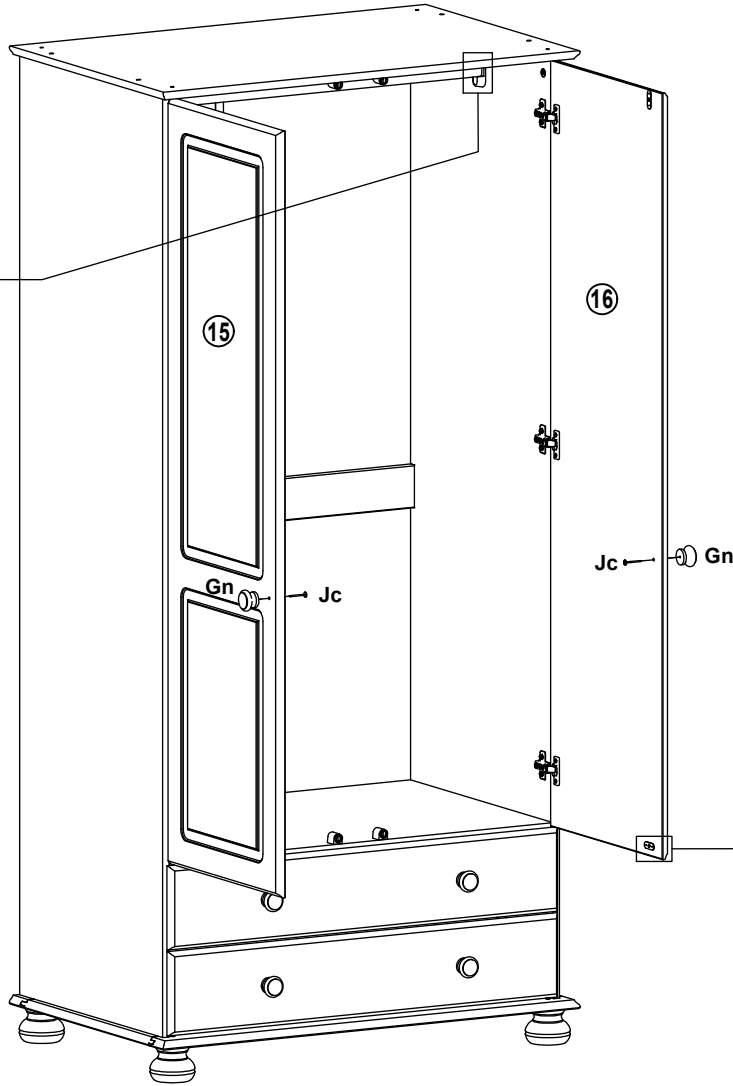
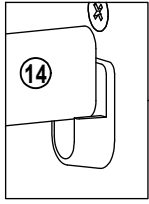
Bo $\varnothing 3 \times 12\text{mm}$

4 x

Me $\varnothing 26\text{mm}$

6 x

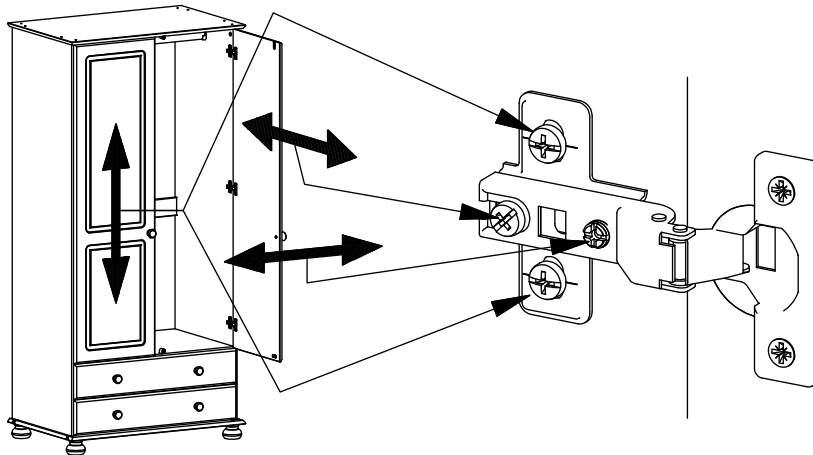
Pd $35 \times 12\text{mm}$

4 x



3.2



3.3



3.4

