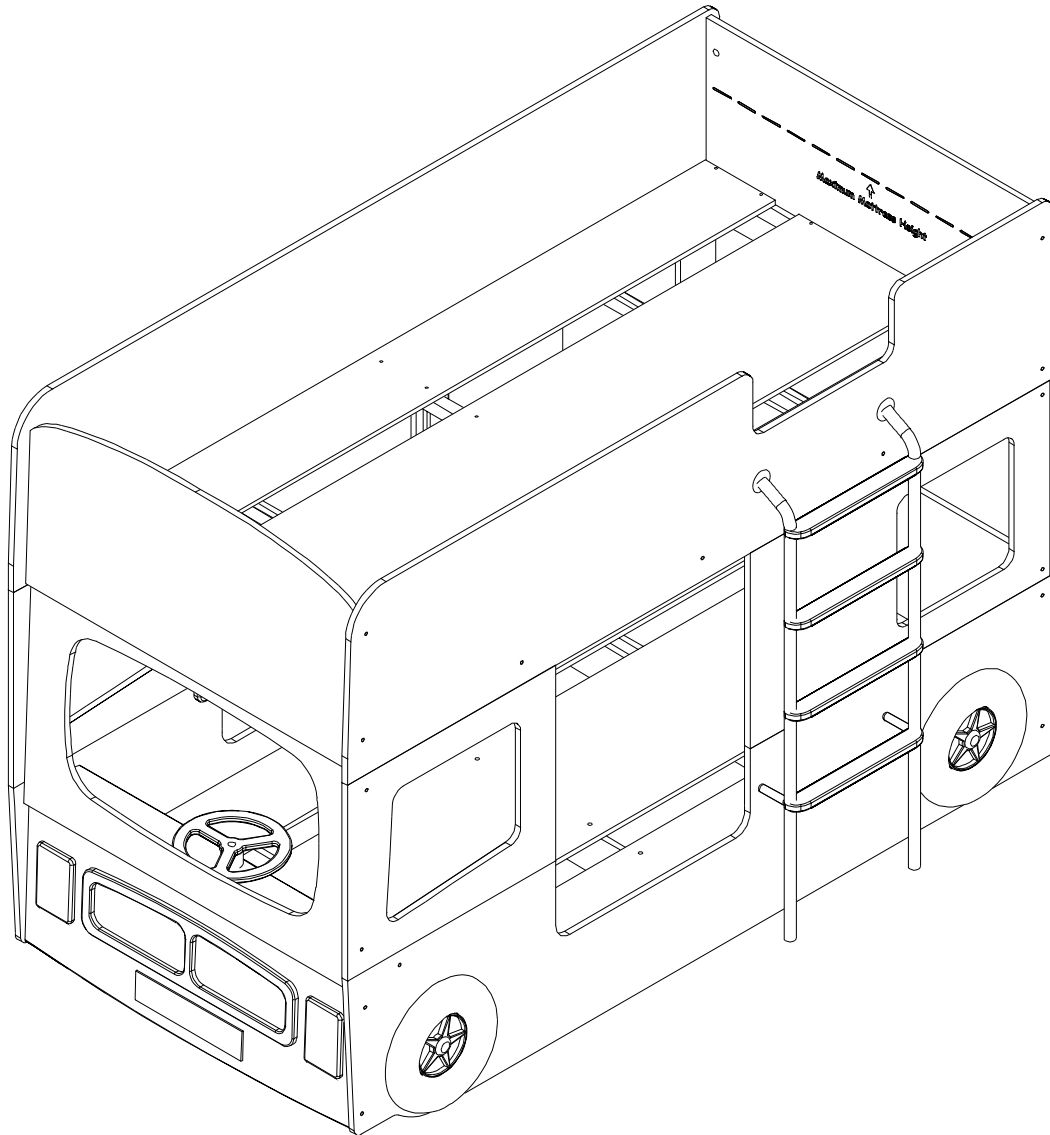


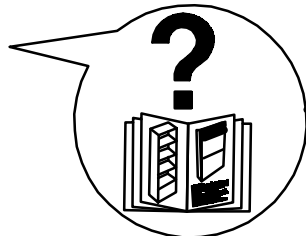
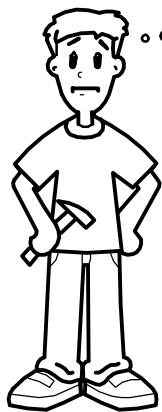
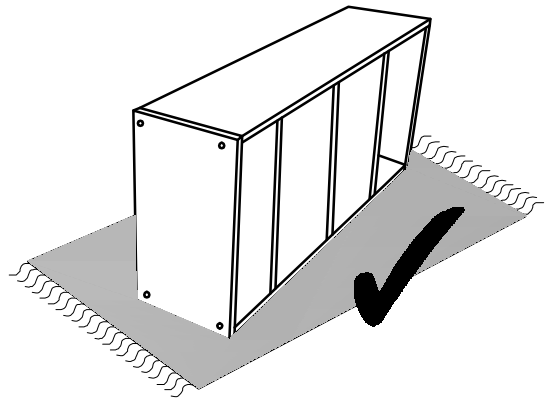
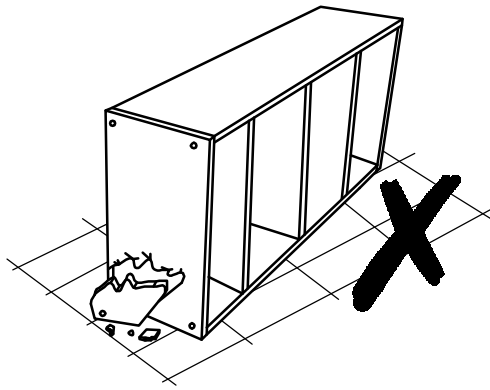
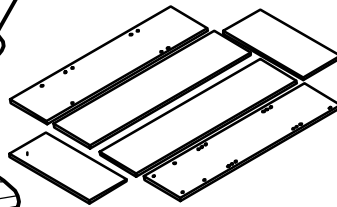
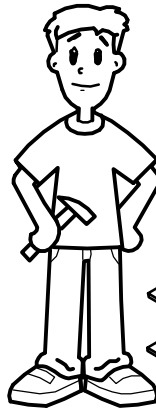
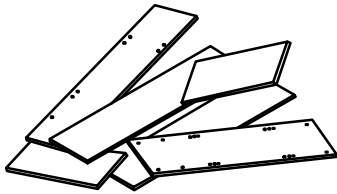
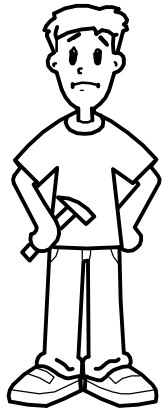
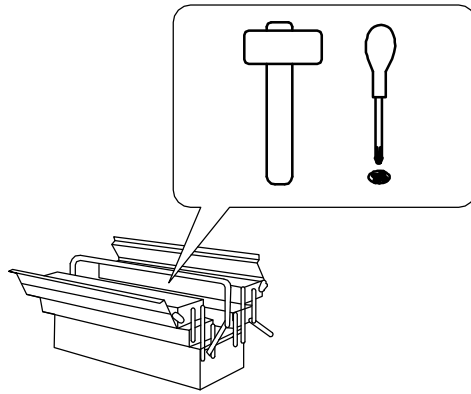
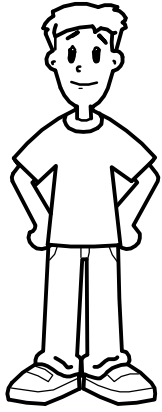
**IMPORTANT - READ CAREFULLY - RETAIN
FOR FUTURE REFERENCE**

Julian Bowen Limited

London Bus Bunk Bed

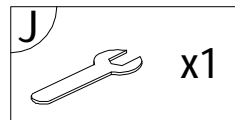
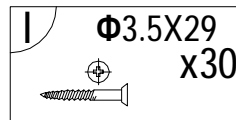
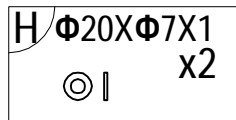
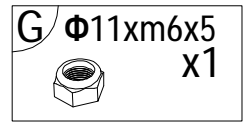
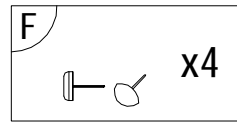
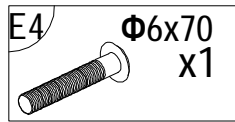
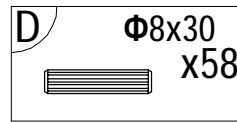
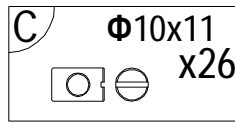
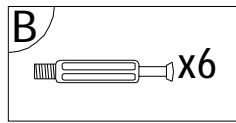
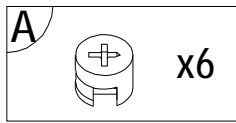
Assembly Instructions



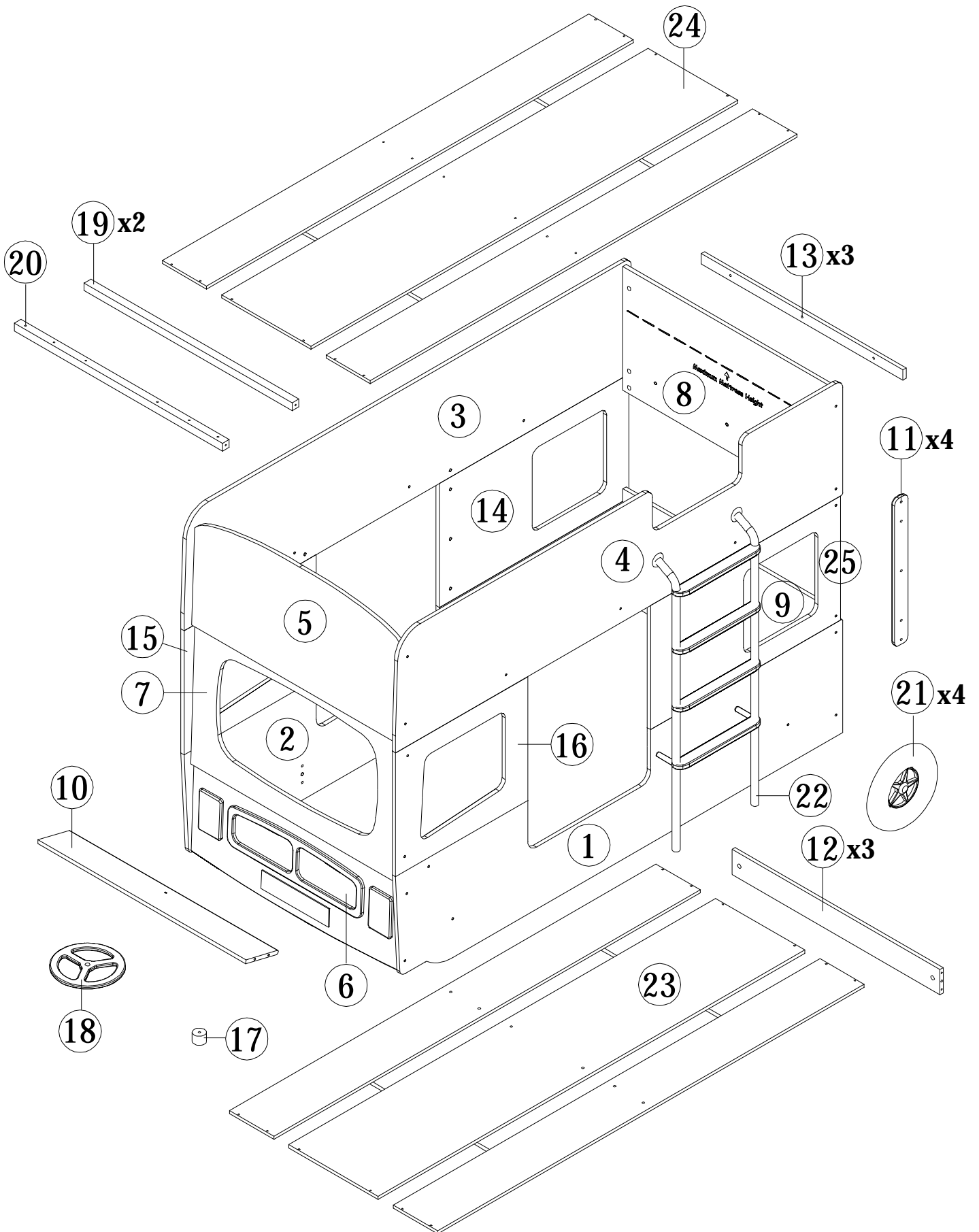


Julian Bowen Limited
(01623 727374)

HARDWARE



PARTS



Safety Advice

WARNING: This bunk is intended for use by children only, with a maximum recommended weight of 75 Kg. Julian Bowen Ltd. cannot be held responsible for failure or damage to the bunk or personal injuries should this warning be ignored.

Please take the time to carefully read through the whole of these instructions before you commence.

Keep these instructions for future reference.

Unpack, inspect and check off all of the contents.

Please dispose of all packaging safely.

Small component parts could choke a child if swallowed.

We strongly recommend that you keep children well away from the work area.

It would be sensible to lay a sheet or blanket on the floor where you intend to work to avoid scratching this product and to protect your floor.

This product is heavy. Take extreme care when lifting to avoid personal injury or damage to the product.

Assemble the product as close to its intended final position in the room as possible.

Please check the contents of the boxes before attempting to assemble this product.

A full checklist of parts and fittings is given in pages 3 and 4 of this instruction leaflet.

HANDY HINT: If you keep the hardware in a bowl during assembly you will be less likely to lose them.

Important Information

Tighten firmly all the fittings when the assembly is complete.

The bed base is an integral and indissociable part of the bed.

WARNING: High beds and the upper bed of bunk beds are not suitable for children under six years due to the risk of injury through falls.

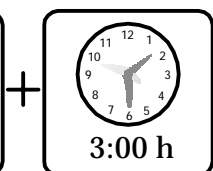
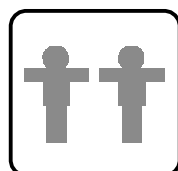
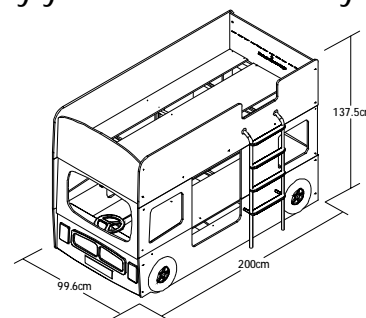
It is not safe to use this product if any part of the structure is missing or broken.

Children could strangle themselves with articles, such as ropes, strings, cords, harnesses and belts attached to, or hung on this product.

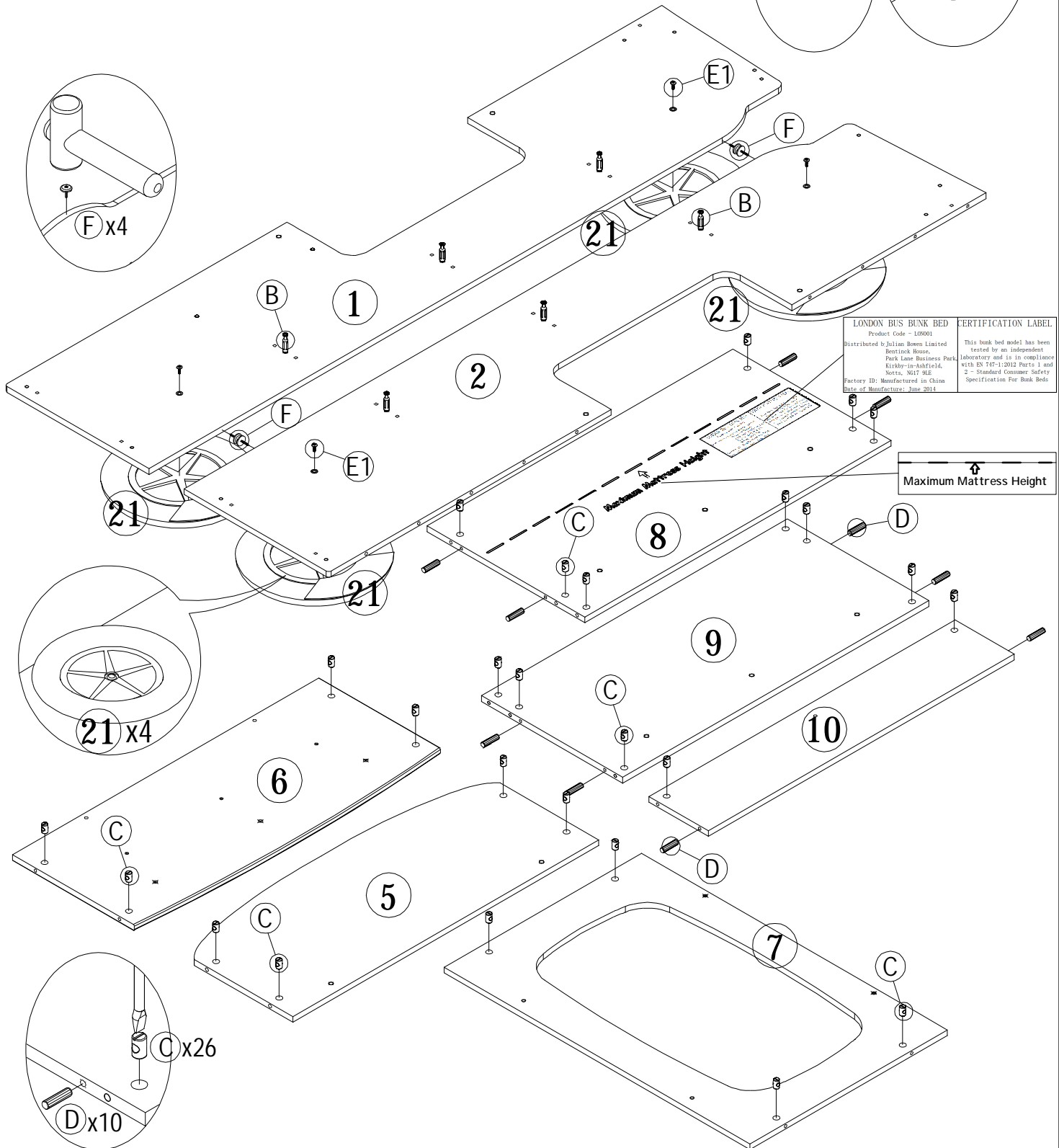
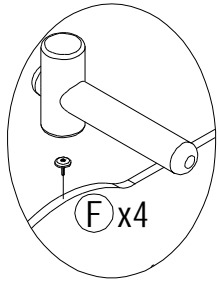
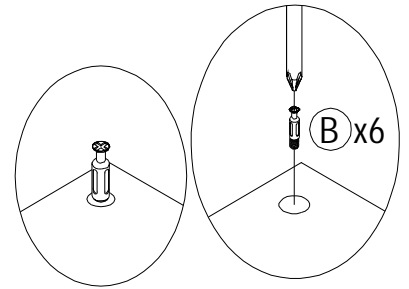
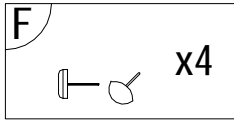
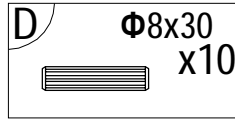
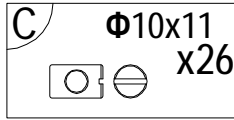
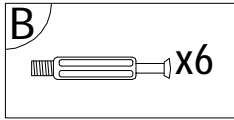
WARNING: Children can become trapped between the bed and the wall. To avoid risk of serious injury the distance between the top safety barrier and the wall shall not exceed 75 mm or shall be more than 230 mm.

The largest size of mattress : 190 x 91 x 19 cm.

Conforms with BS EN 747 : 2012 Parts 1 & 2 .



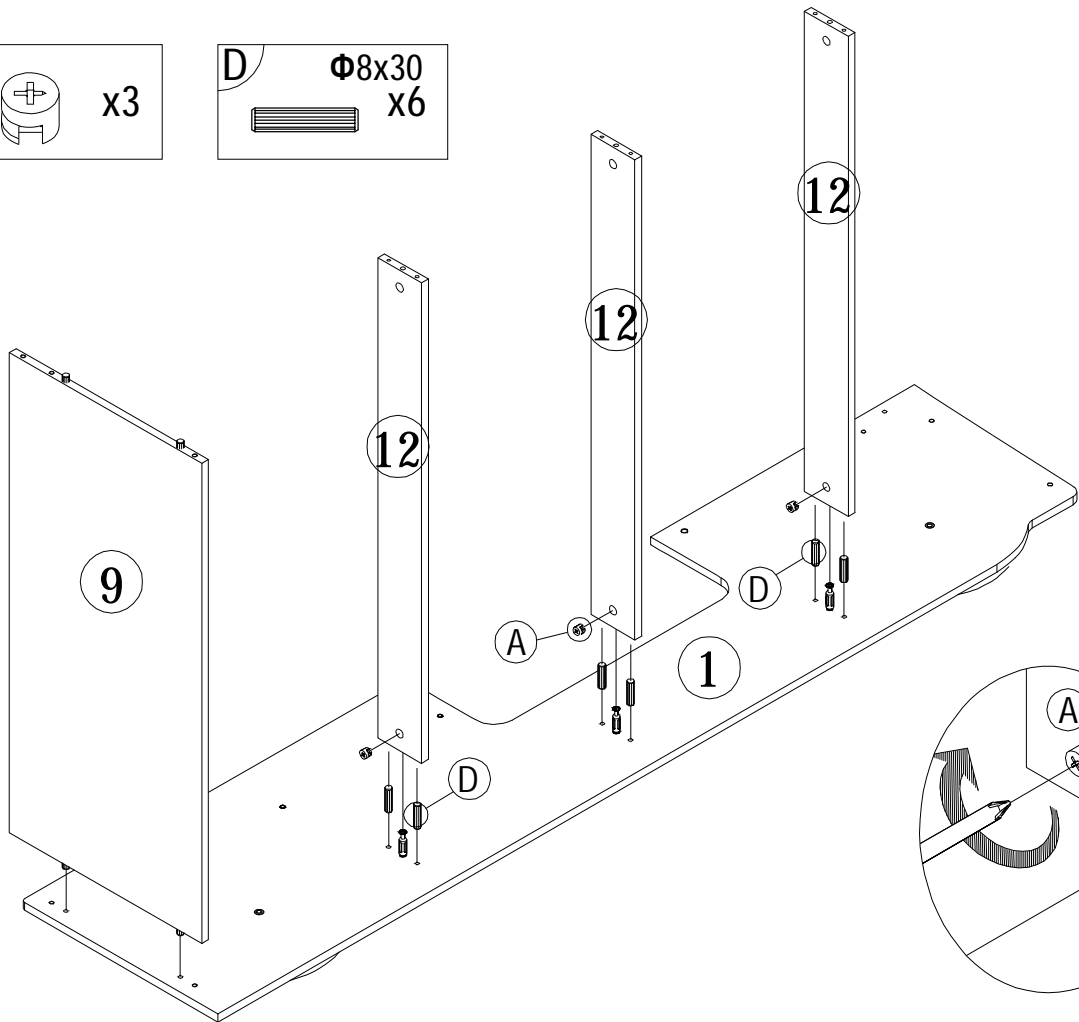
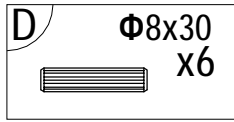
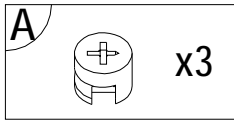
1



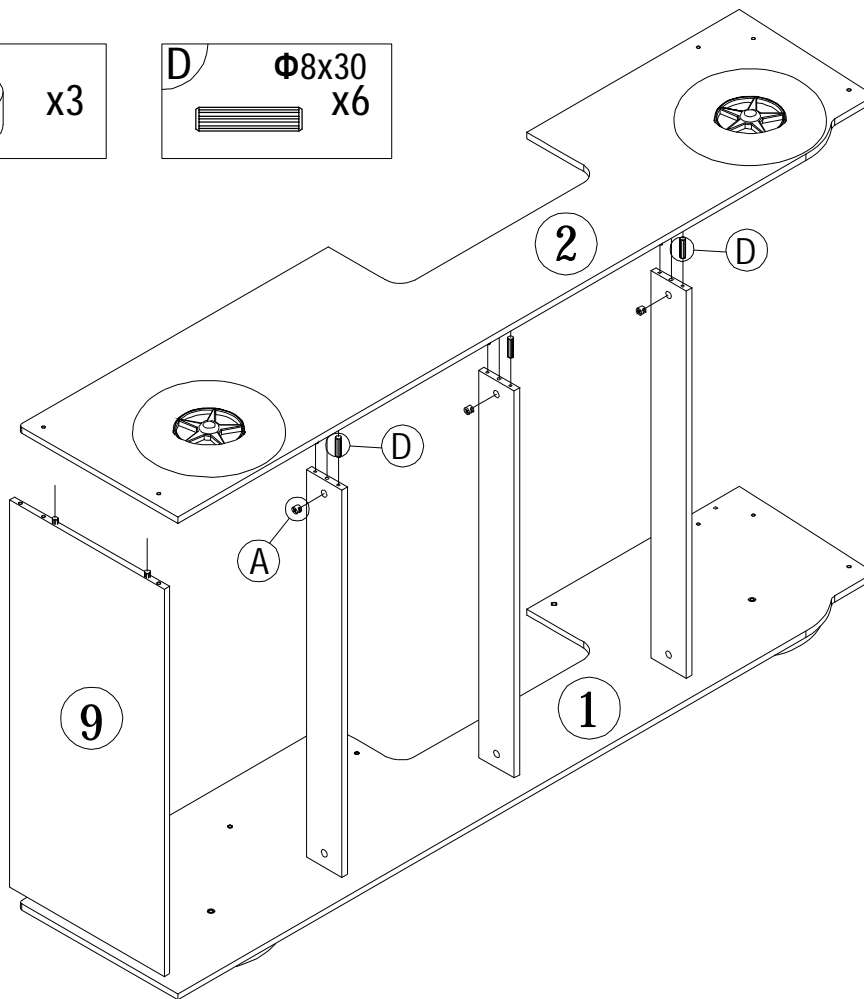
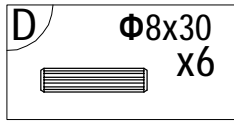
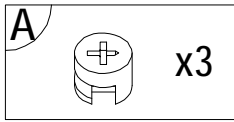
LONDON BUS BUNK BED	CERTIFICATION LABEL
Product Code - L00001	This bunk bed model has been tested by an independent laboratory and is in compliance with EN 747-1:2012 Parts 1 and 2 - Standard Consumer Safety Specification For Bunk Beds
Distributed by Julian Bowen Limited	
Bentnick House, Park Lane Business Park, Kirkby-in-Ashfield, North. NG17 9EJ	
Factory ID: Manufactured in China Date of Manufacture: June 2014	

↑
Maximum Mattress Height

2



3



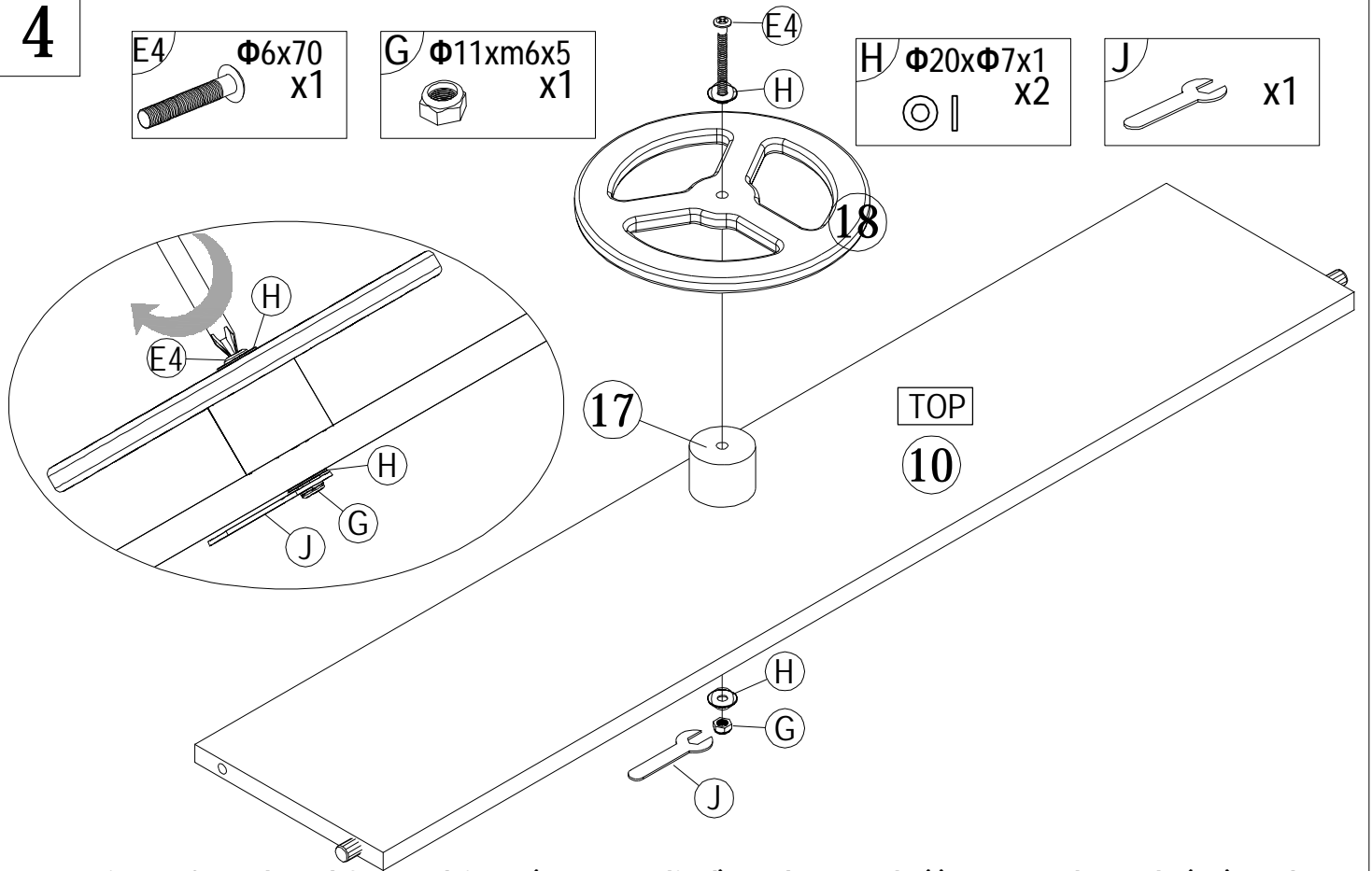
4

E4 $\Phi 6 \times 70$
x1

G $\Phi 11 \times 6 \times 5$
x1

H $\Phi 20 \times \Phi 7 \times 1$
x2

J x1

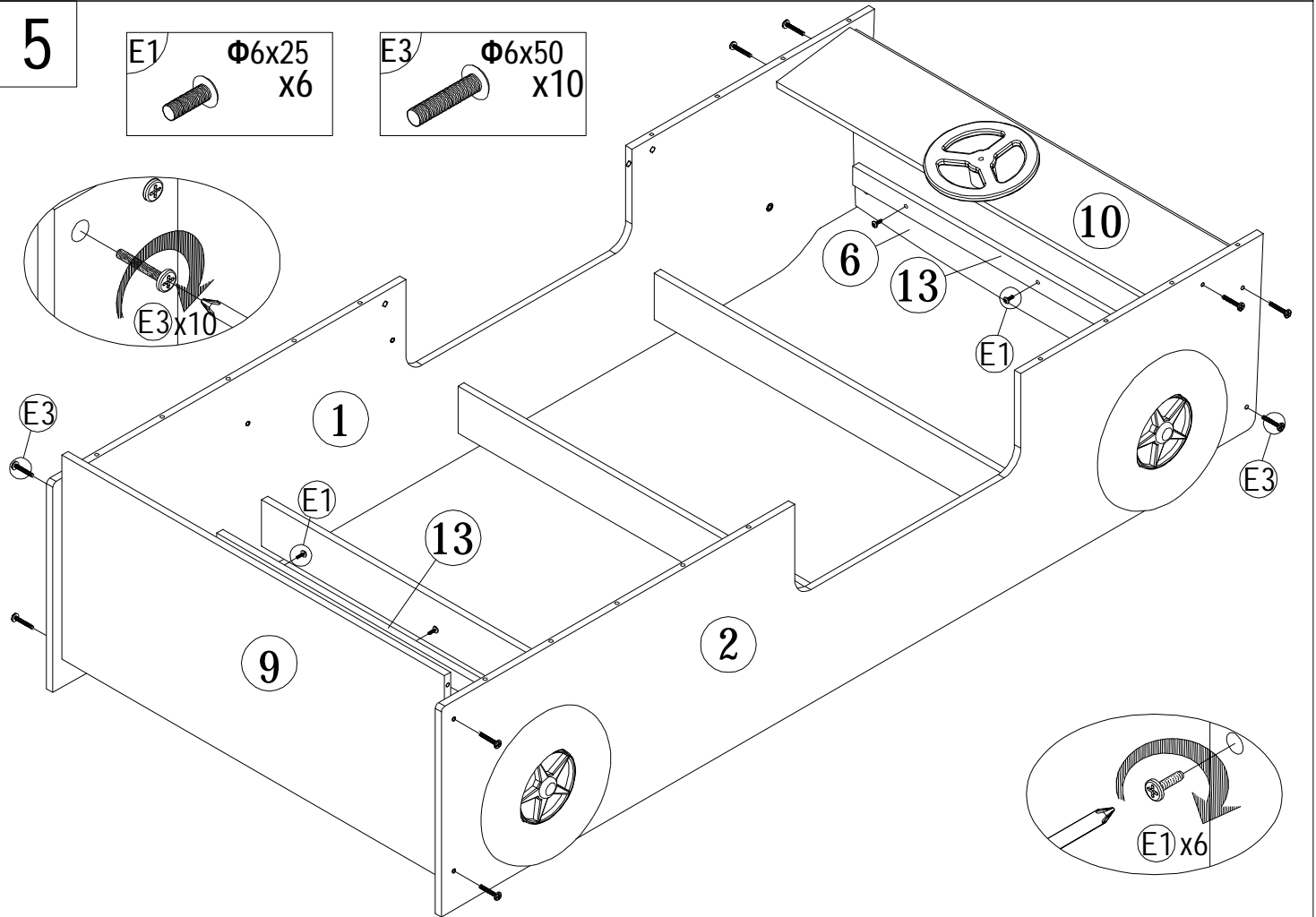


Using a Crosshead Screwdriver (not supplied) and Wrench (J), ensure the Bolt (E4) and Locking Nut (G) are securely fixed and that the wheel can still turn freely.

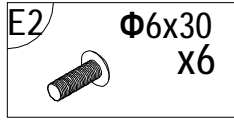
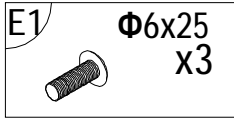
5

E1 $\Phi 6 \times 25$
x6

E3 $\Phi 6 \times 50$
x10

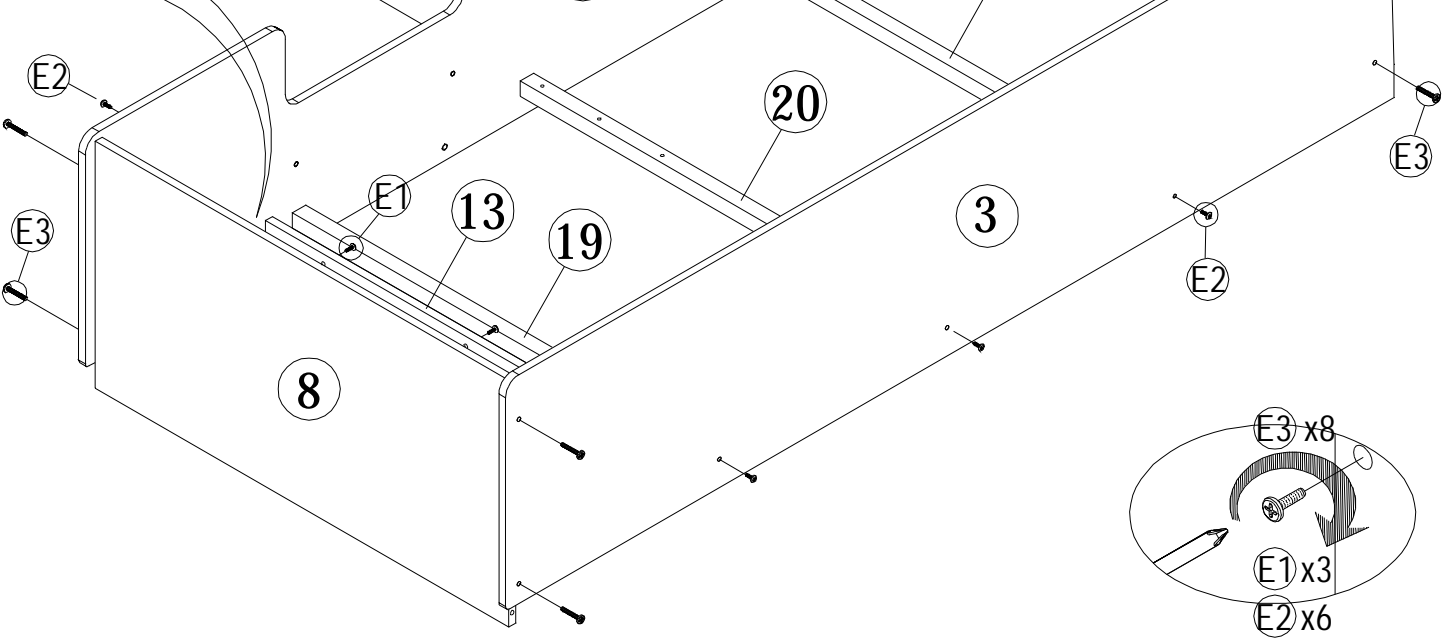


6

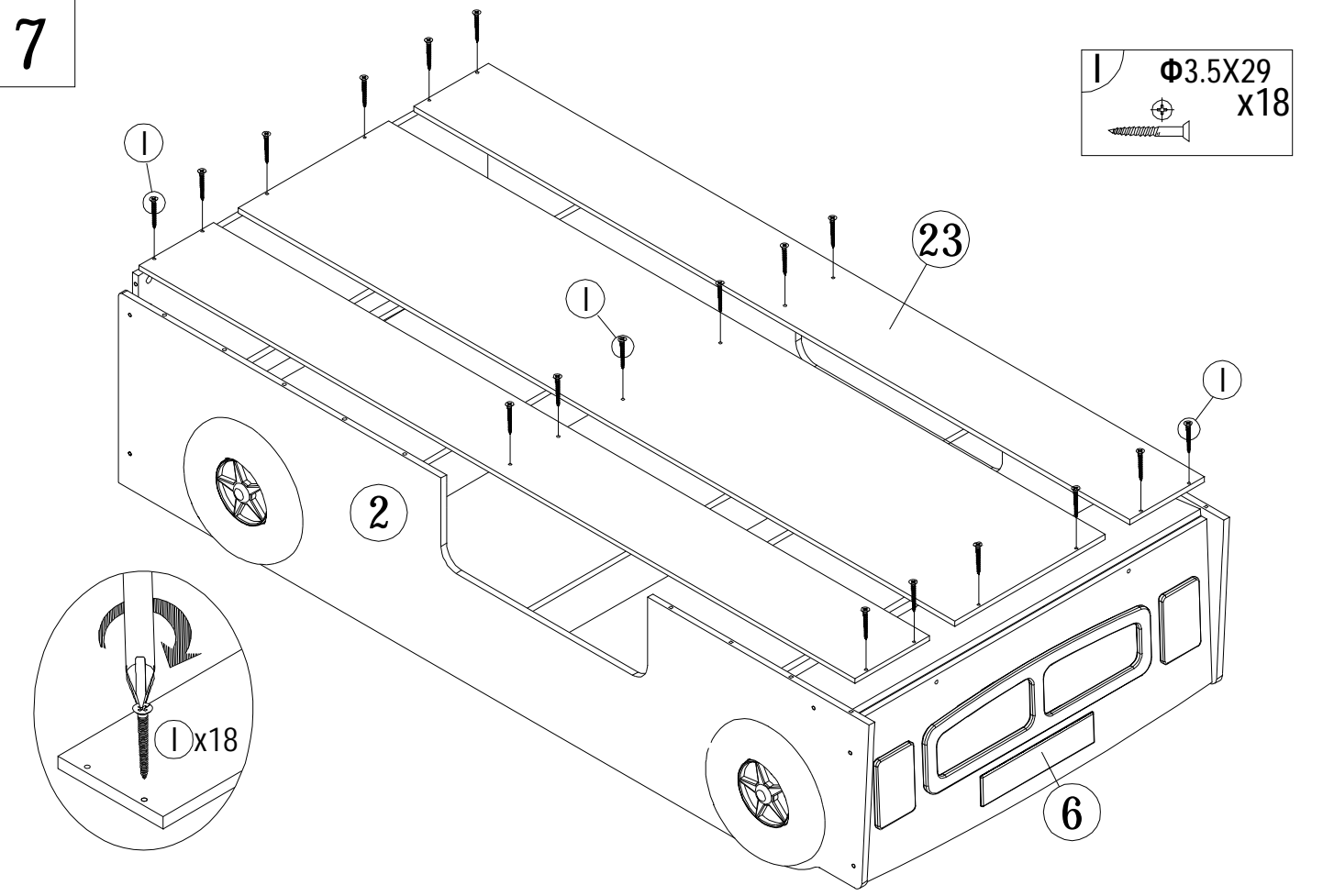
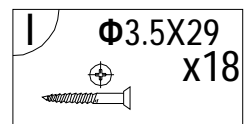


LONDON BUS BUNK BED Product Code - L0N001 Distributed by Julian Bowen Limited Bentinck House, Park Lane Business Park Kirkby-in-Ashfield, Notts, NG17 9LE Factory ID: Manufactured in China Date of Manufacture: June 2014	CERTIFICATION LABEL This bunk bed model has been tested by an independent laboratory and is in compliance with EN 747-1:2012 Parts 1 and 2 - Standard Consumer Safety Specification For Bunk Beds
--	---

↑
Maximum Mattress Height



7

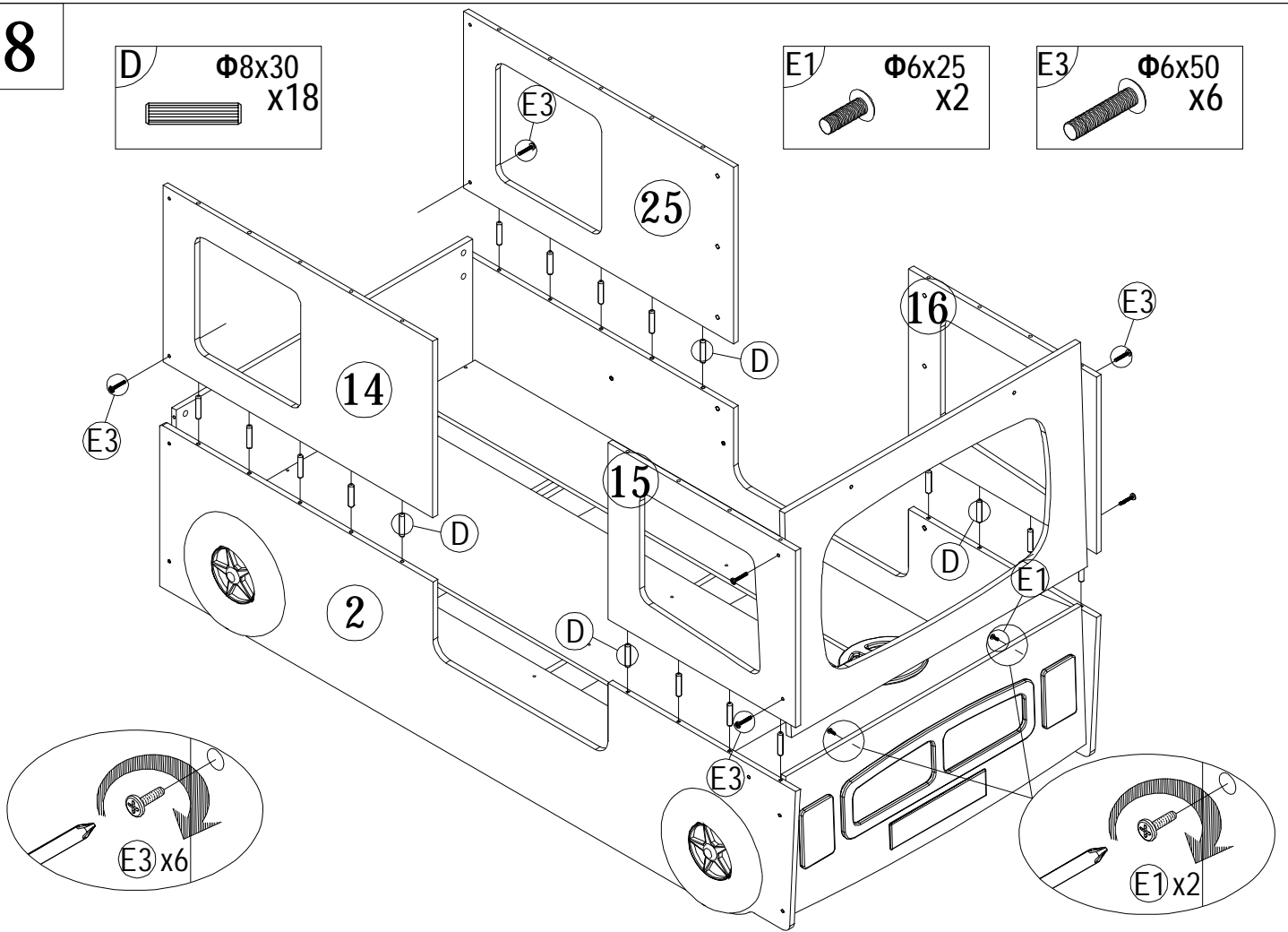


8

D $\Phi 8 \times 30$
x18

E1 $\Phi 6 \times 25$
x2

E3 $\Phi 6 \times 50$
x6

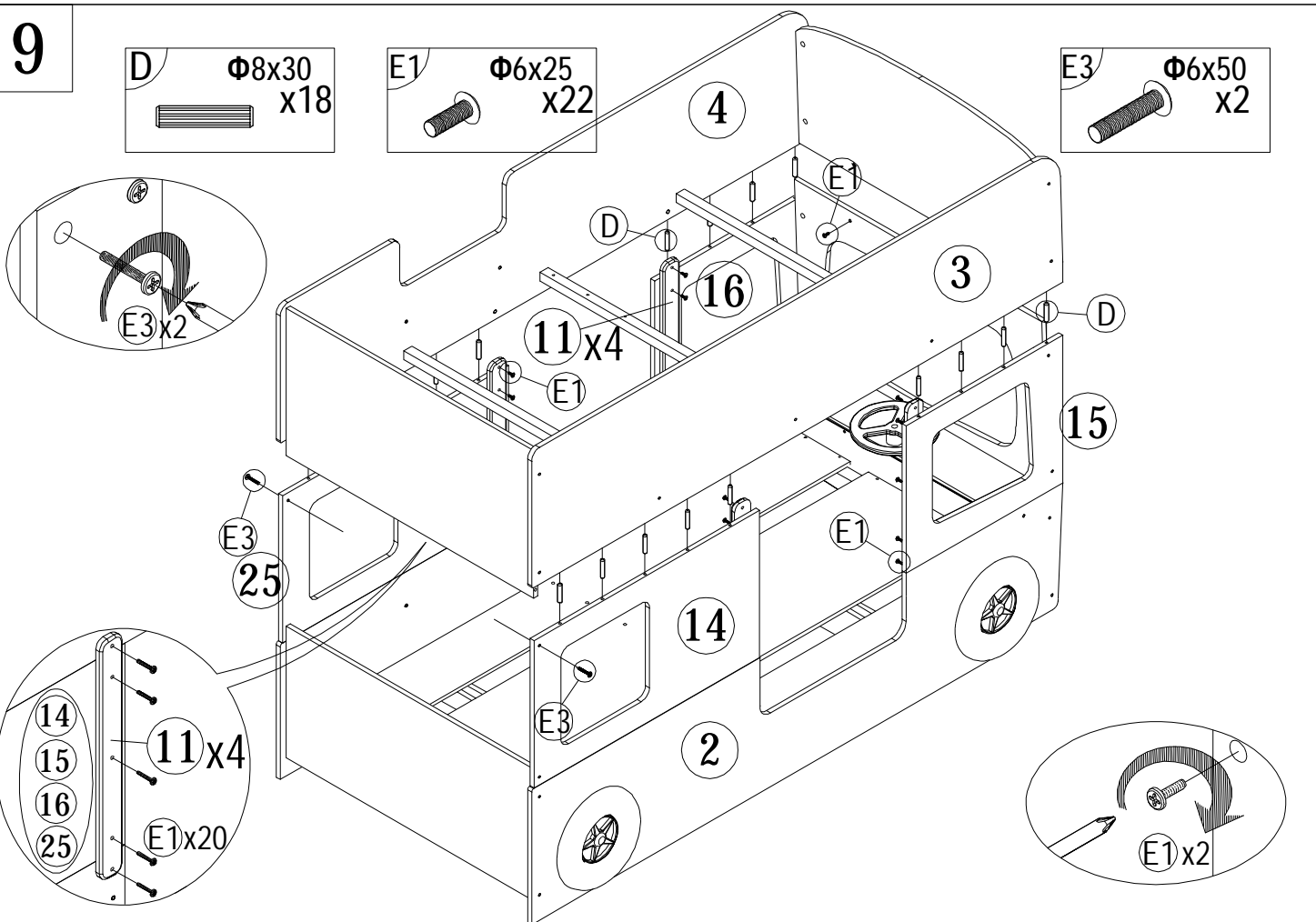


9

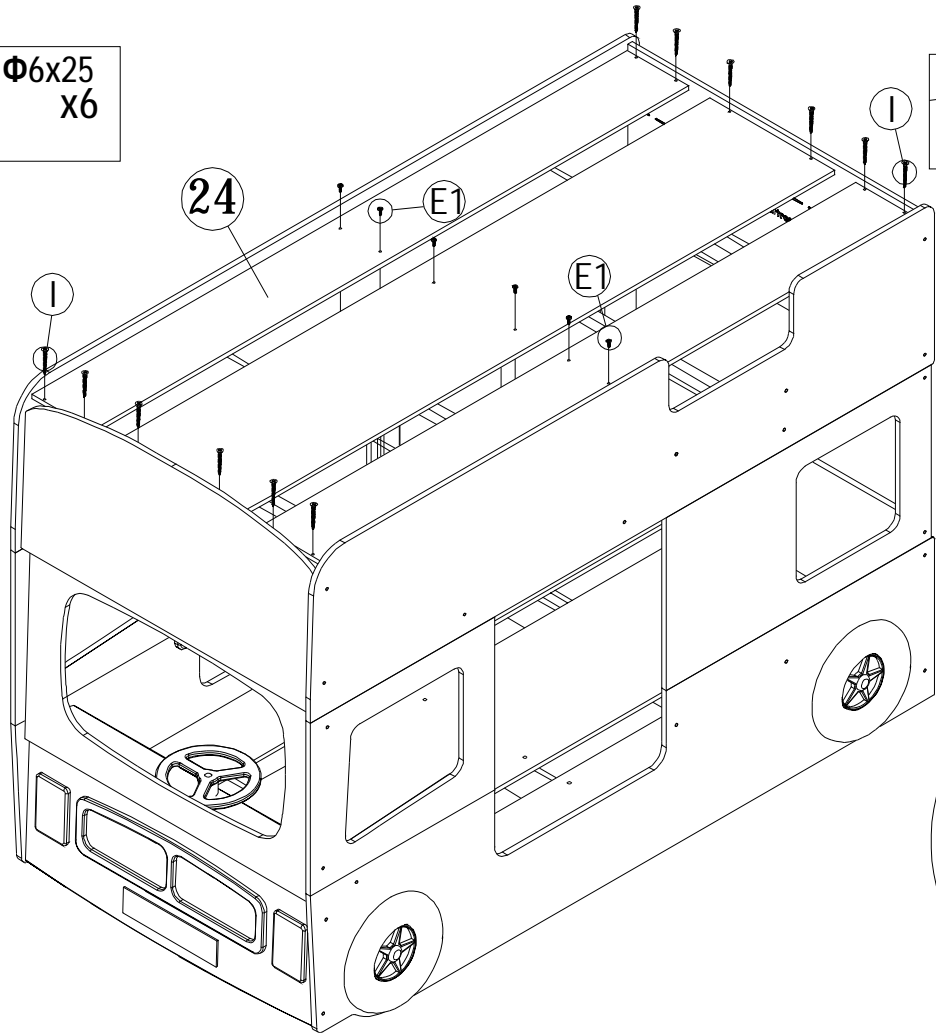
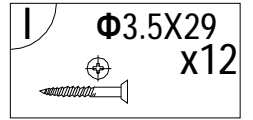
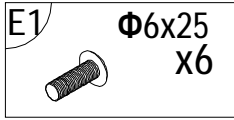
D $\Phi 8 \times 30$
x18

E1 $\Phi 6 \times 25$
x22

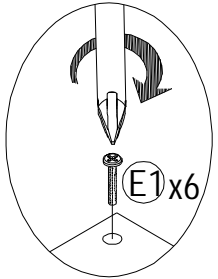
E3 $\Phi 6 \times 50$
x2



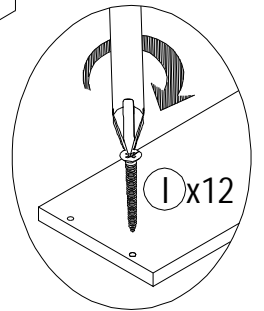
10



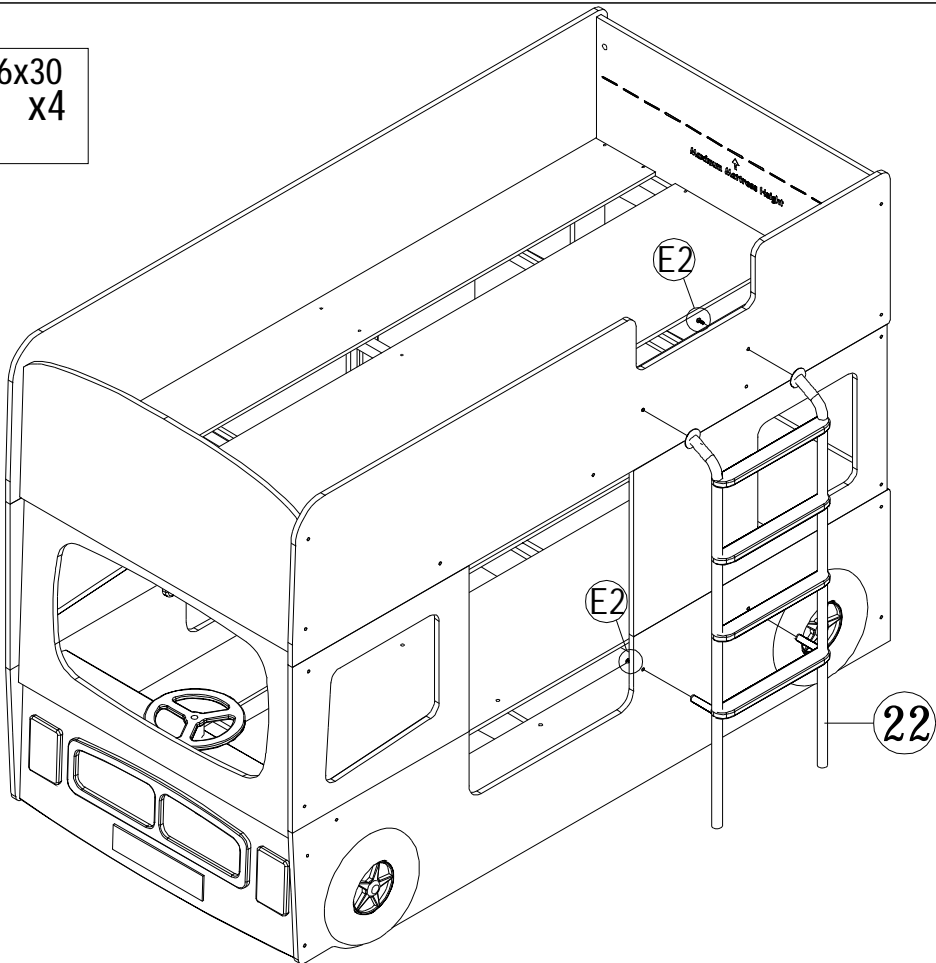
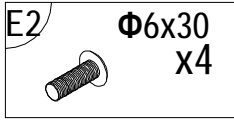
STEP 1



STEP 2



11



Your London Bus Bed Is Now Completed And Ready To Use.