

02PLAY511511-V2-PEFC
Dutch Barn Playhouse



WARNING: Only for domestic use
Not suitable for children under 36 months due to small parts and danger of falling from heights.
To be used under direct supervision of an adult



BEFORE YOU START PLEASE THE READ INSTRUCTIONS CAREFULLY

- Check the pack and make sure you have all the parts listed in the parts list provided.
- When you are ready to start, make sure you have the right tools at hand (not supplied) including a Phillips screwdriver, Flathead screwdriver, Stanley knife, Wood saw, Step ladder, Hammer, Spirit level and a Drill with 2mm bit.
- Ensure there is plenty of space and a clean dry area for assembly.
- Ensure you have enough time to build the product to ensure the building is water tight.

TIMBER

As with all natural materials, timber can be affected during various weather conditions. For the duration of heavy or extended periods of rain, swelling of the wood panels may occur. Warping of the wood may also occur during excessive dry spells due natural processes. Unfortunately, these processes cannot be avoided but can be helped. It is suggested that the outdoor building is sprayed with water during extended periods of hot weather and sheltered as much as possible during rain or snow.

Our buildings are pre treated with a water based treatment**; this only helps to prevent discolouration whilst in stock. To validate your guarantee and ensure longevity of the product, it is ESSENTIAL the building is treated with a suitable preservative in accordance with the manufacturers recommendations. Care must be taken to ensure the product is placed on a suitable base.

We recommended using a suitable protection for your playhouse. As the product is destined for use by children, a water based treatment that is EN71 tested for children is ESSENTIAL.

We also recommend treating the building prior to construction.

POSITIONING YOUR PLAYHOUSE

When thinking about where the building and base is going to be constructed:
Ensure that there will be access to all sides for maintenance work and annual treatment.

We recommend a minimum space of 2m around a playhouse , away from any structure or obstructions such as fences, garages, houses, overhanging branches, washing lines or electrical wires.

It is recommended that the position of the Playhouse, Slide and Swing is not in direct sunlight.

Activity toys such as swings and slides for towers shall not be installed over concrete, asphalt or any hard surface.

BUILDING A BASE

Ensure the base is level and is built on firm ground, to prevent distortion, checking with a spirit level. Refer to diagrams for the base dimensions. The base should be slightly smaller than the external measurement of the building, i.e. The cladding should overlap the base, creating a run off for water. It is also recommended that the floor be at least 25mm above the surrounding ground level to avoid flooding.

TYPES OF BASE

- Concrete 75mm laid on top of 75mm hard-core.
- Slabs laid on 50mm of sharp sand.
- Wooden base.



WARNING

- ONLY SUITABLE FOR DOMESTIC USE.
- TO BE USED UNDER DIRECT SUPERVISION OF AN ADULT.
- THIS PRODUCT SHOULD NOT BE MODIFIED IN ANY WAY. ANY MODIFICATIONS SHOULD BE DETERMINED BY THE MANUFACTURER AND CARRIED OUT ACCORDING TO THE INSTRUCTIONS.
- DO NOT ALLOW YOUR CHILD TO PLAY WITH ANY COMPONENT PARTS PRIOR TO ASSEMBLY.
- MAX AGE OF 14 YEARS.
- THIS TOY IS FOR OUTDOOR USE ONLY.
- USE A WATER BASED TREATMENT THAT IS EN71 TESTED

CAUTION

Wood is a natural product and can change post manufacture. So despite every effort being made to ensure the material used are cut and machined to a clean and smooth finish, care must be taken when handling the product and preparing for use by your child.

Any areas of concern, in the play areas, can be rubbed over with sandpaper to achieve a smoother finish. Alternatively, call the customer service department who will be happy to arrange replacement panels/parts.



All buildings should be erected by at least two adults.
DO NOT ALLOW CHILDREN TO ASSIST.



Winter = High Moisture = Expansion
Summer = Low Moisture = Contraction



2mm Drill bit
12mm CSK

To prevent damage during assembly, you MUST pilot drill all screw holes and ensure all screw heads are countersunk .



For ease of assembly, you will need a tape measure to check dimensions of components.

Whilst all products manufactured are made to the highest standards of Safety and in the case of childrens products independently tested to EN71, we cannot accept responsibility for your safety whilst erecting this product.

**Protim Aquatan T

Your building has been treated with Aquatan .

Aquatan is a water-based concentrate which is diluted with water, the building as been treated by the correct application of Aquatan solution and then allowed to dry.

Aquatan is a decorative finish to colour the wood, which is applied industrially to timber fence panels and garden buildings.

Aquatan undiluted contains: boric acid, sodium hydroxide 32% solution, aqueous mixture of sodium dioctyl sulphosuccinat and alcohols: 2, 4, 6-trichlorophenol.

In all instances for assistance with your product, please contact customer care on :
01636 880514 or customerservice@merciagp.co.uk

Mercia Garden Products Limited,
Sutton On Trent,
Newark,
Nottinghamshire,
NG23 6QN



Look for the symbols and follow the safety guidelines below.



Ensure screw heads are subflush and sand down any splinters created.



Ensure the screws are fixed squarely and do not protrude.



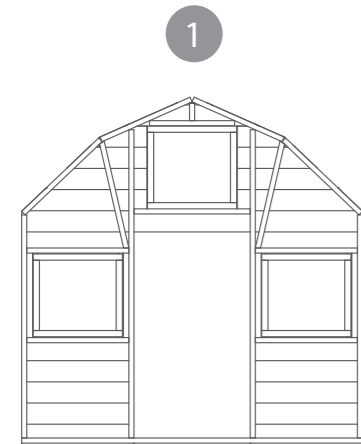
12mm gap surrounding the door.



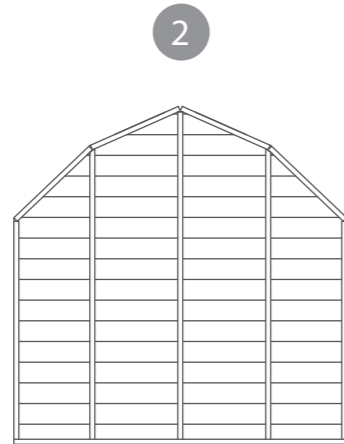
50kg per user

Overall Dimensions:
Width = 1994mm
Depth = 1859mm
Height = 1900mm

Base Dimensions:
Width = 1803mm
Depth = 1803mm



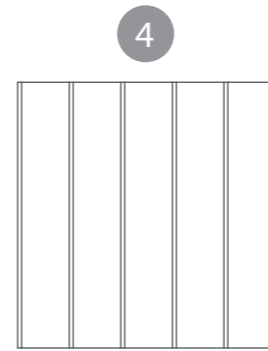
Door Gable
AI-02PLAY511511-V2DG



Plain Gable
AI-02PLAY511511-V2PG



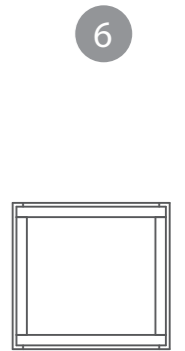
Window Side
AI-02PLAY511511-V2WS
QTY x2



Floor
AI-02PLAY511511-V2F



Door
AI-02PLAY511511-V2D



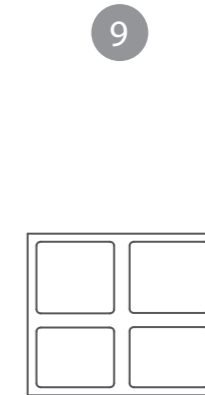
Window
AI-02PHOW-V1
QTY x5



Large Roof
PI-03-0036
QTY x2



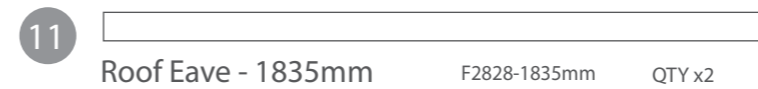
Small Roof
PI-03-0035
QTY x2



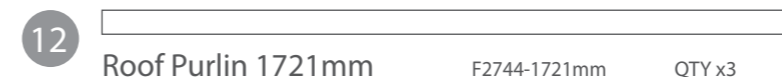
Window Cross
PI-04-0013
QTY x5



Window Shutters
AI-02PHWS-V1
QTY x4



Roof Eave - 1835mm F2828-1835mm QTY x2



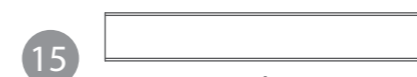
Roof Purlin 1721mm F2744-1721mm QTY x3



Cover Trim 1200mm S1256-1200mm QTY x4



Fascia Board 540mm FAS1260-540mm QTY x4



Fascia Board 686mm FAS1260-686mm QTY x4

DO NOT ALLOW YOUR CHILD TO PLAY WITH ANY COMPONENT PARTS PRIOR TO ASSEMBLY.

16



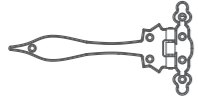
Ply Door Stop
PLY TRIANGLE

18



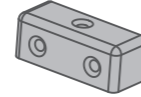
Wooden door handle PI-04-0024

17



T-Hinge
PI-07-0113 QTY x2

19



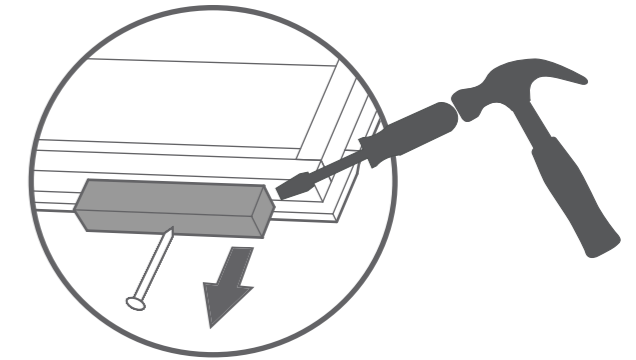
Window Block
PI-07-0011 QTY x10

Pre Assembly

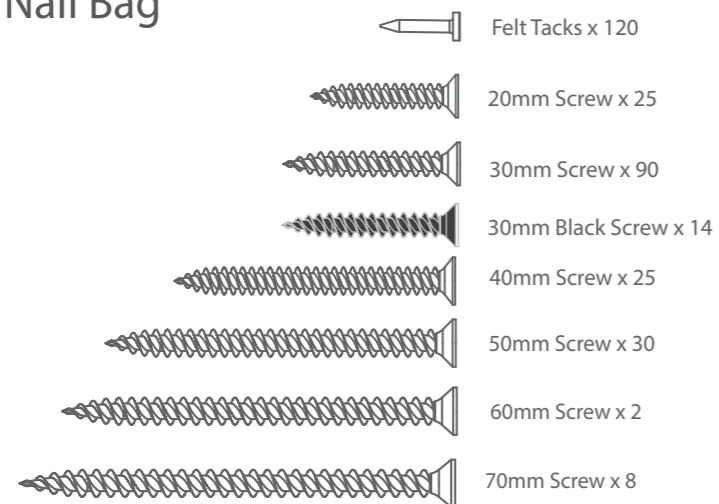
Before assembling remove the transportation blocks from the bottom of each panel.

Take care removing the blocks as to not damage the panels. Tap with a flat headed screwdriver and hammer.

Dispose of the blocks once removed.



Nail Bag



Step 1

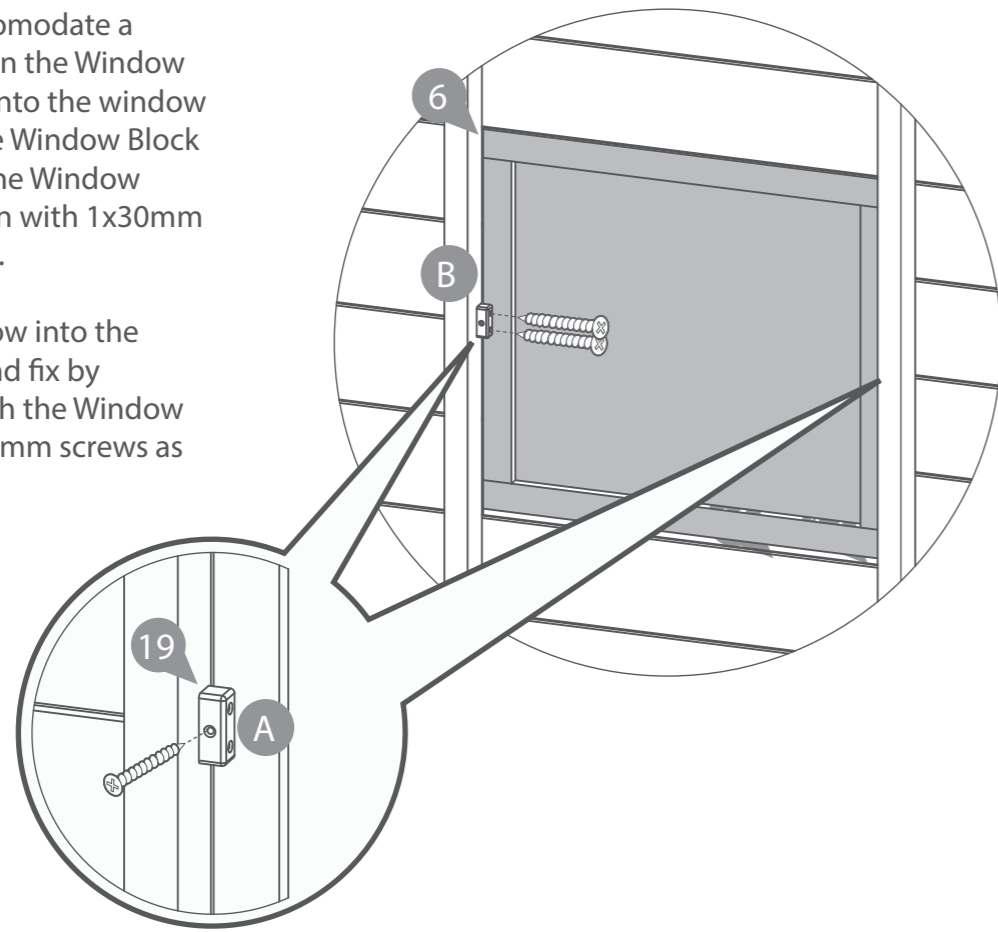
Parts needed - 6 x5 & 19 x10



A To fix the Windows into the panels that accommodate a window. Position the Window (No. 6) central into the window opening. Fix the Window Block x2 (No. 19) to the Window central as shown with 1x30mm screw per block.

B Place the Window into the window hole and fix by screwing through the Window Block with 2x30mm screws as shown.

18x30mm screws.



Step 2

Parts needed - 1 & 5 & 17 x2



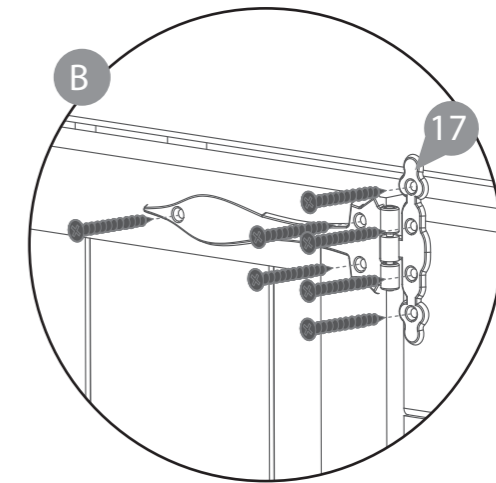
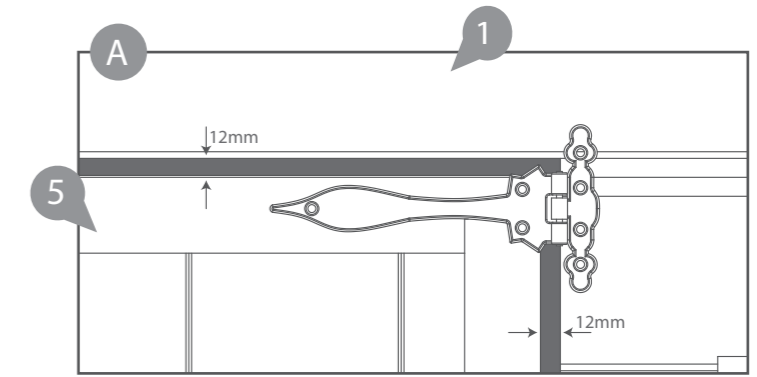
A To fix the Door (No. 5) into the Door Gable (No. 1). Lay the Door panel flat on the ground and place the Door within the doorway. Ensure you leave a 12mm gap on each side of the Door.

It is important that the door is placed central in the space provided. Use a 12mm strip to help keep the gap at 12mm.

The door can be hung from either side to suit your needs.

B Fix the Hinges x2 (No. 17) to the Door Gable and Door using 7x30mm black screws per hinge.

14x30mm black screws.



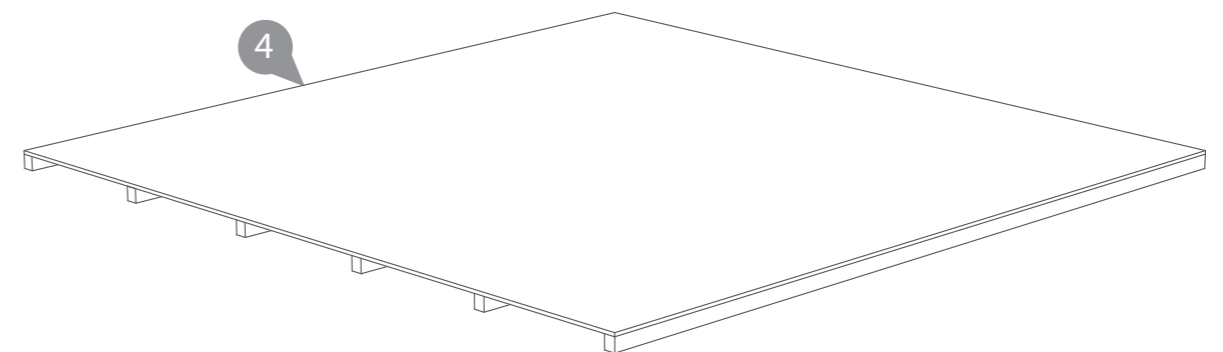
Step 3

Parts needed - 4



Place the Floor (No. 4) on your firm and level base, ensure base has suitable drainage free from areas where standing water can collect.

(See front page on base requirements).



DO NOT ALLOW YOUR CHILD TO PLAY WITH ANY COMPONENT PARTS PRIOR TO ASSEMBLY.

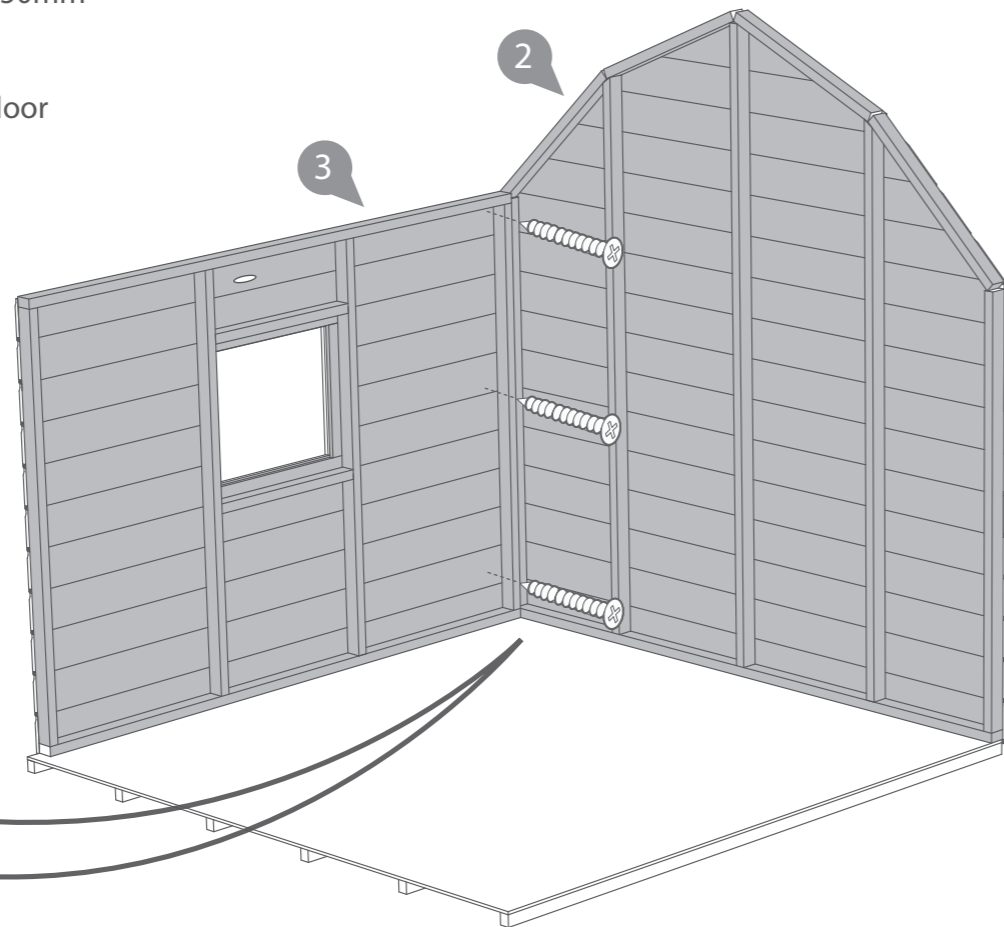
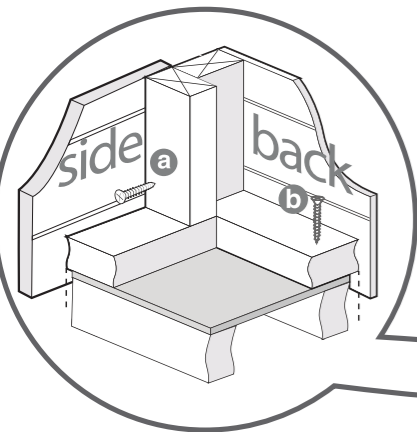
Step 4

Parts needed - 2 & 3

Fix the corners of a Window Side (No. 3) and the Plain Gable (No. 2) with 3x50mm screw as shown in diagram.

Do not secure the building to the floor until the roof is fitted.

3x50mm Screws.



Step 5

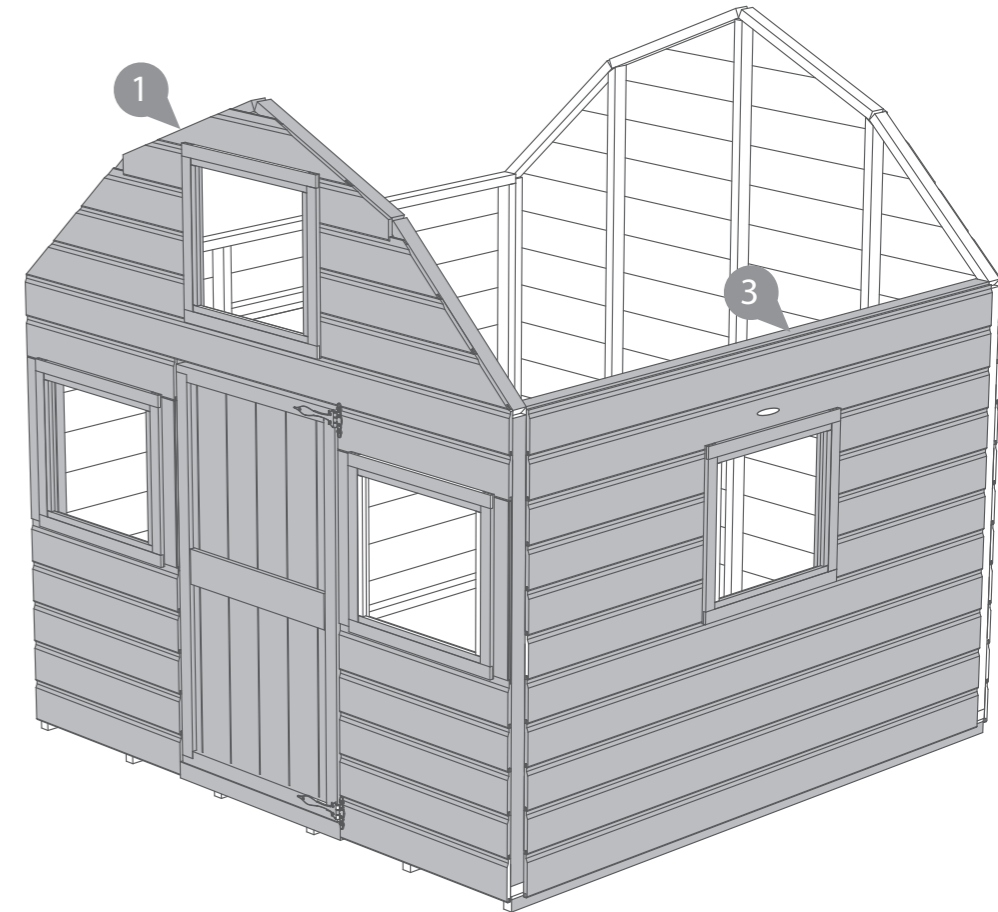
Parts needed - 1 & 3

Fix Door Gable (No. 1) and Window Side (No. 3) using same method shown in the previous step.

Position the panels so there is equal spacing between the floor and cladding on all four sides.

*Before fixing the door gable, check the top and bottom of the door and remove any transit screws. Make sure door opens and closes freely. Adjust hinge position if necessary.

9x50mm Screws.



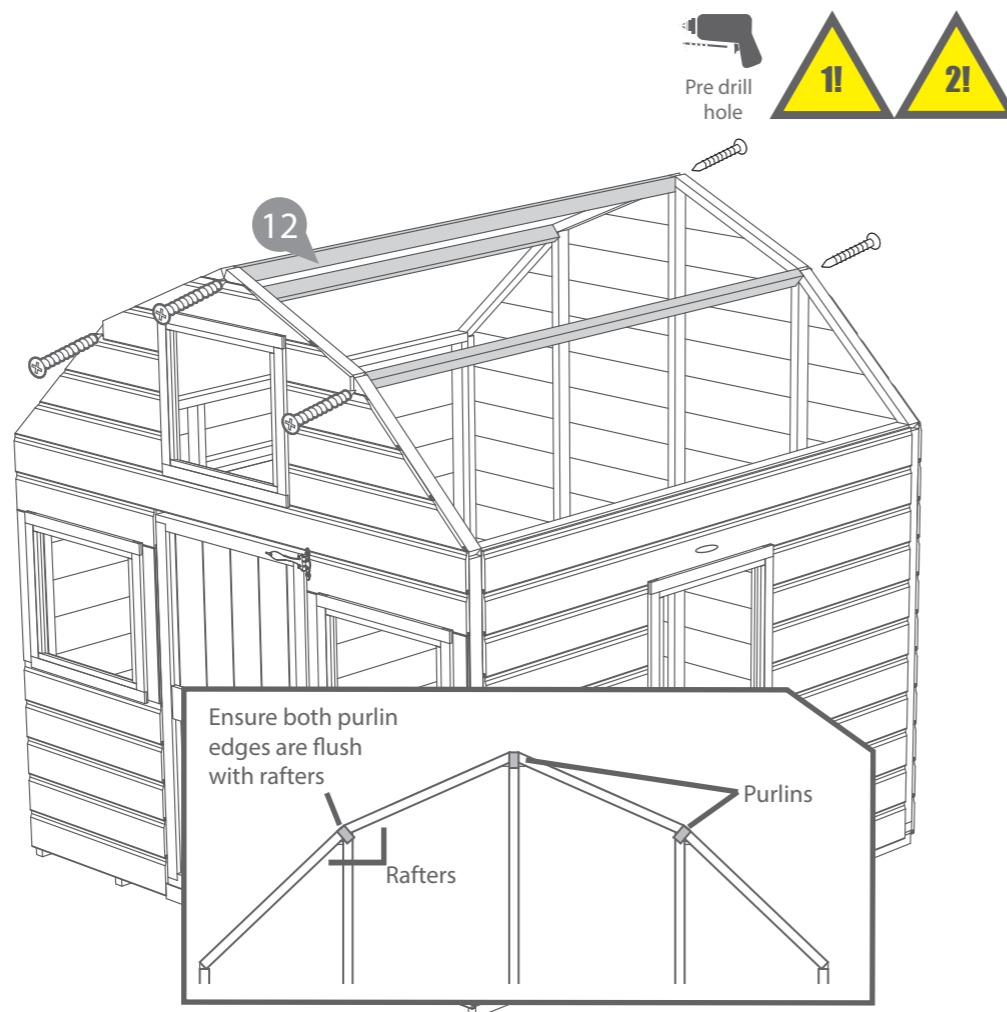
Step 6

Parts needed - 12 x3

Place Roof Purlins (No. 12) in between each gable upright as shown in illustration below. Use 1x70mm screw per end. Screw through the outside of building, into into framing.

We recommend finishing framing surfaces with sand paper to remove any splinters.

6x70mm Screws.



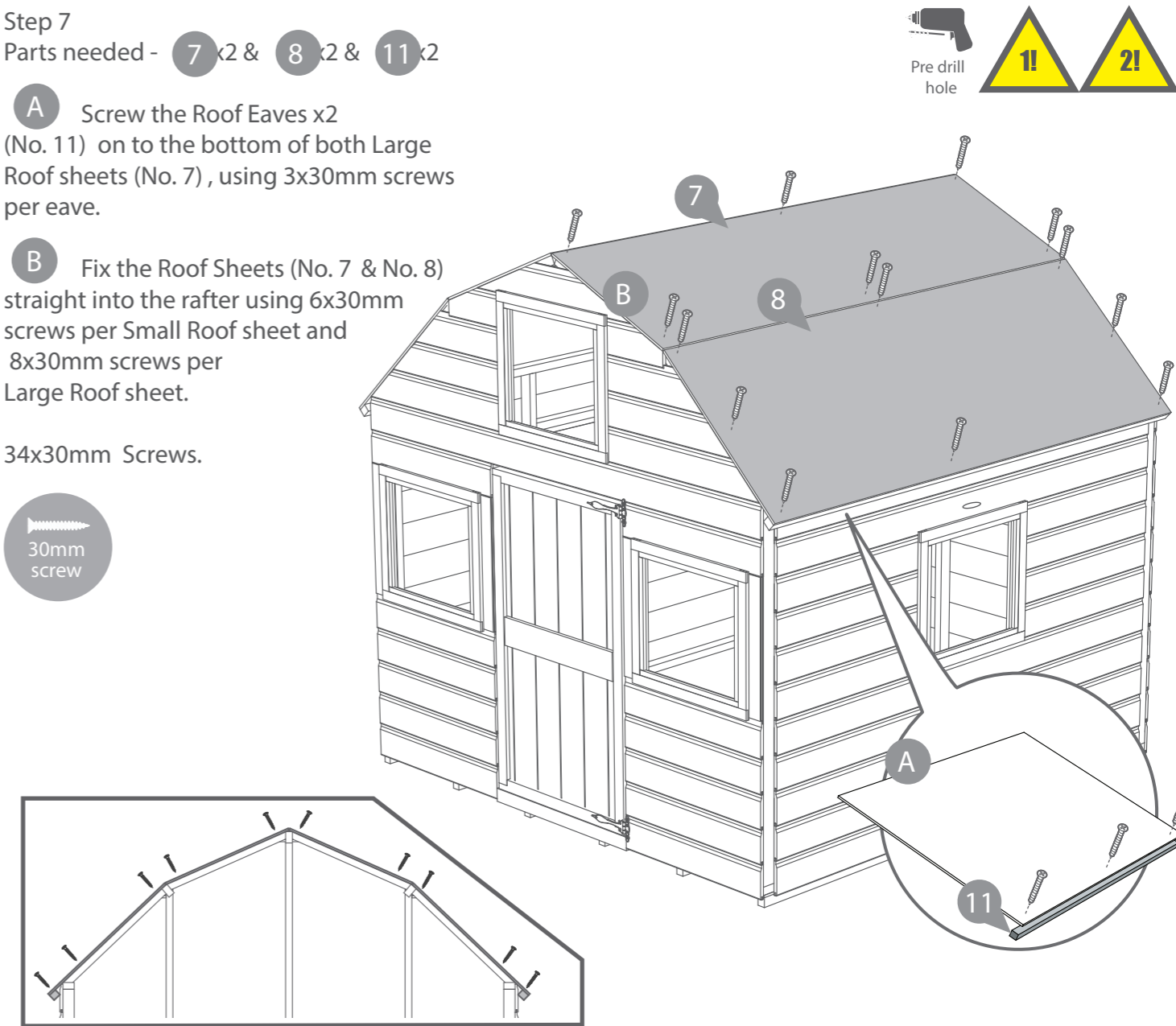
Step 7

Parts needed - 7 x2 & 8 x2 & 11 x2

A Screw the Roof Eaves x2 (No. 11) on to the bottom of both Large Roof sheets (No. 7), using 3x30mm screws per eave.

B Fix the Roof Sheets (No. 7 & No. 8) straight into the rafter using 6x30mm screws per Small Roof sheet and 8x30mm screws per Large Roof sheet.

34x30mm Screws.

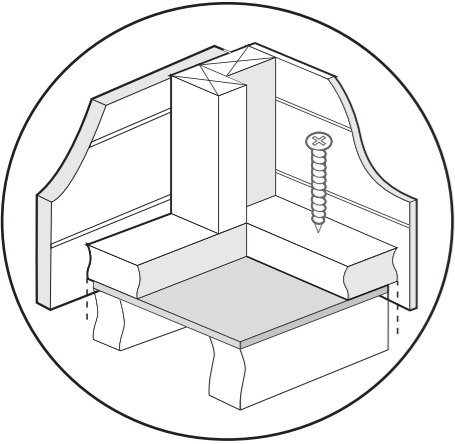
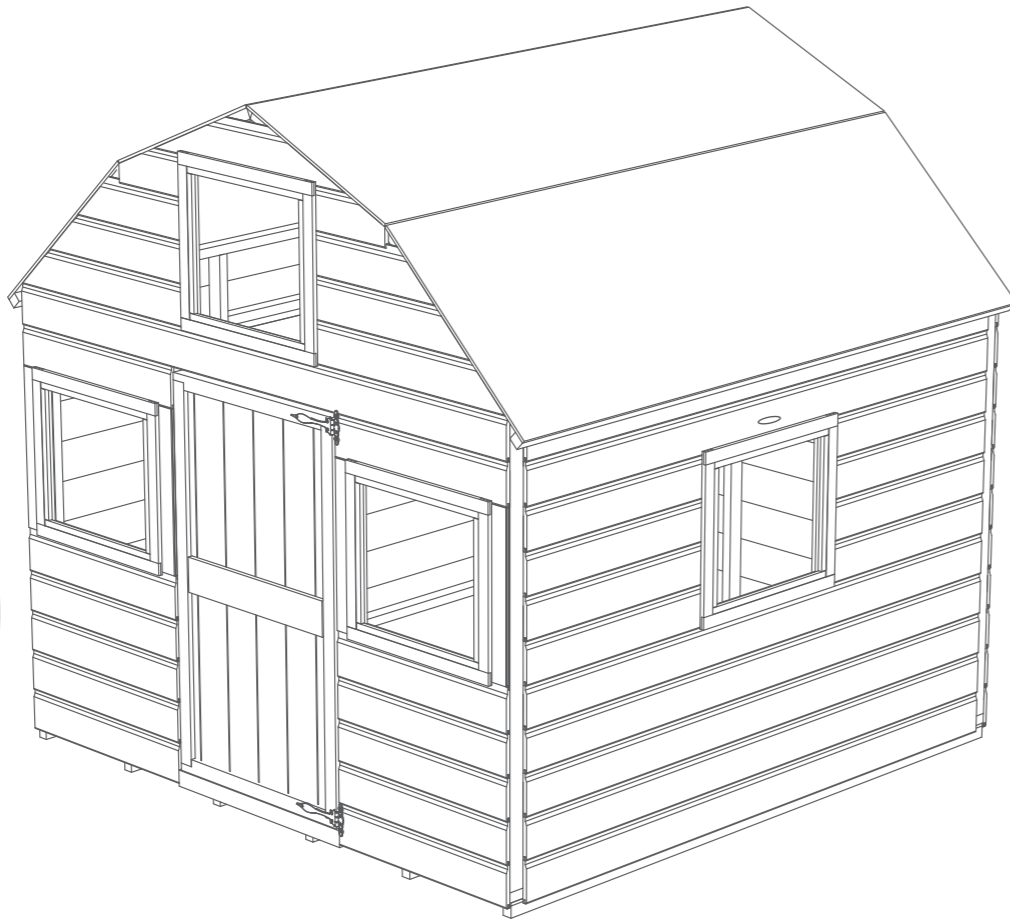


Step 8

Fix the building to the floor using 16x50mm screws in alignment with the floor joists.

16x50mm Screws.

50mm screw



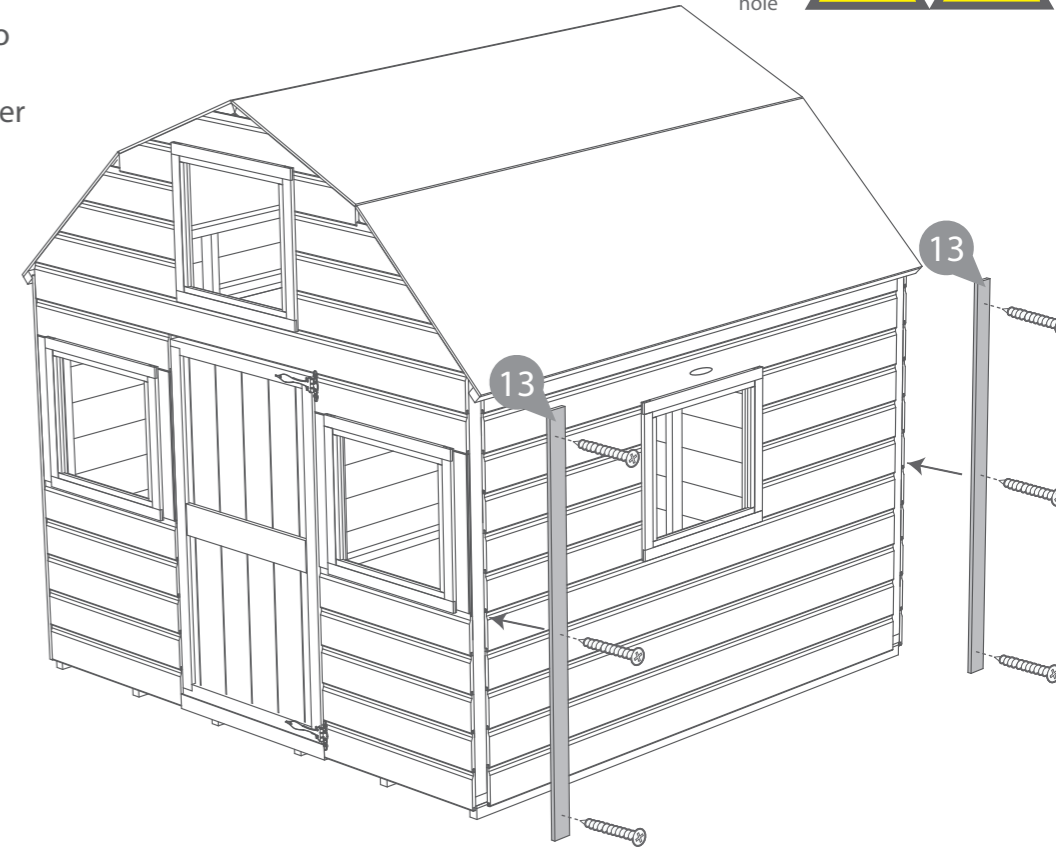
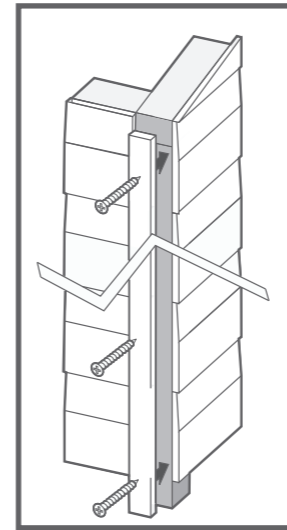
Step 10

Parts needed - 13 x4

Fix the Cover Trim x4 (No. 13) to each corner of the building as shown using 3x30mm screws per trim.

12x30mm Screws.

30mm screw



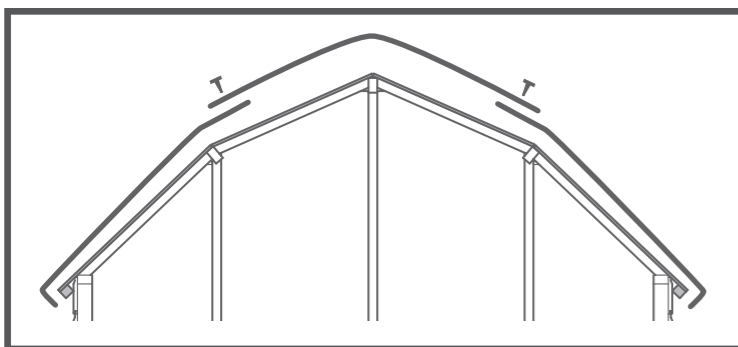
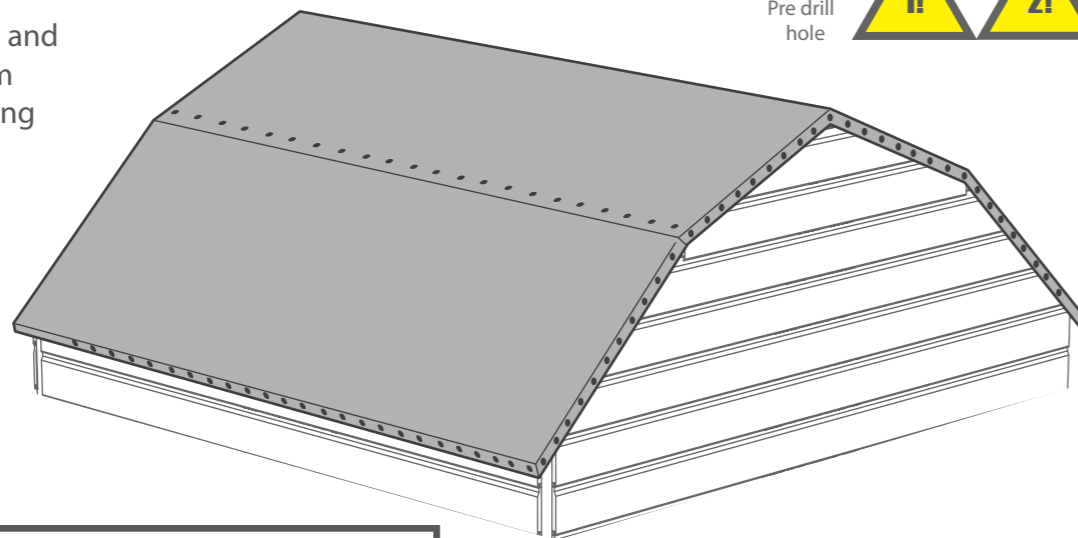
Step 9

Cut Felt into 3 sheets of 1959mm and lay onto roof as shown in diagram ensuring there is a 50mm overhang around the sides.

Fix using felt tacks at 100mm intervals.

120xFelt tacks.

Felt tacks



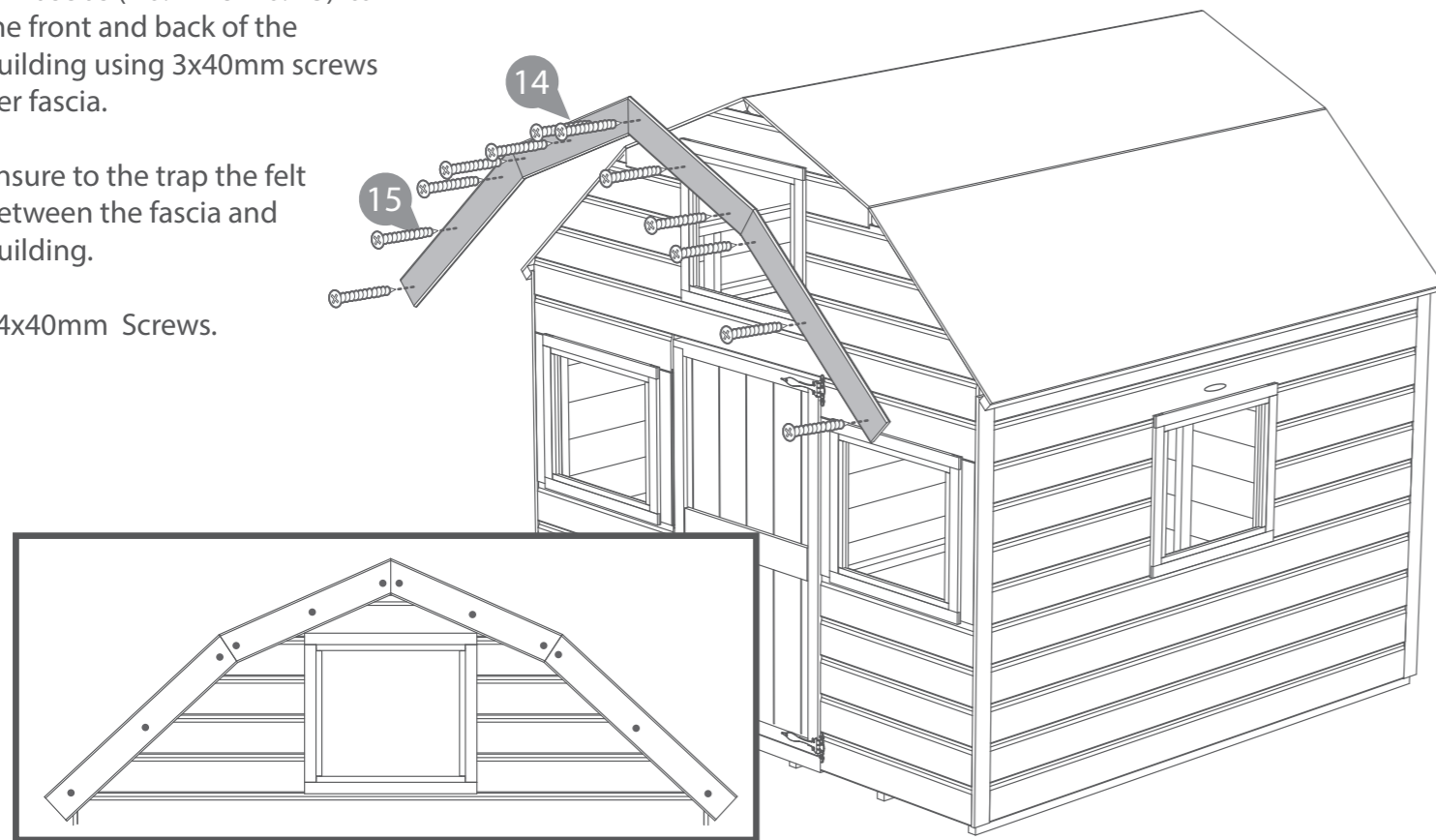
DO NOT ALLOW YOUR CHILD TO PLAY WITH ANY COMPONENT PARTS PRIOR TO ASSEMBLY.

Step 11
Parts needed - 14 x4 & 15 x4

Fix Fascias (No. 14 & No. 15) to the front and back of the building using 3x40mm screws per fascia.

Ensure to trap the felt between the fascia and building.

24x40mm Screws.



Step 12
Parts needed - 9 x5 & 10 x4 & 16 & 18

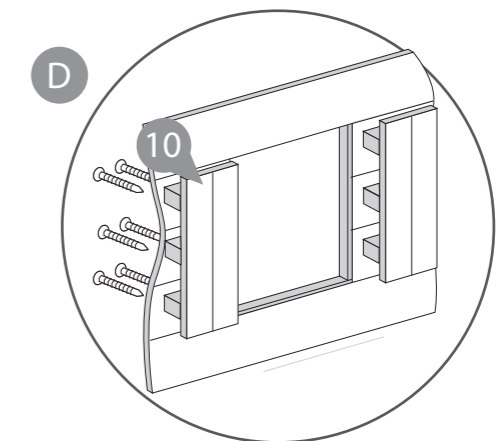
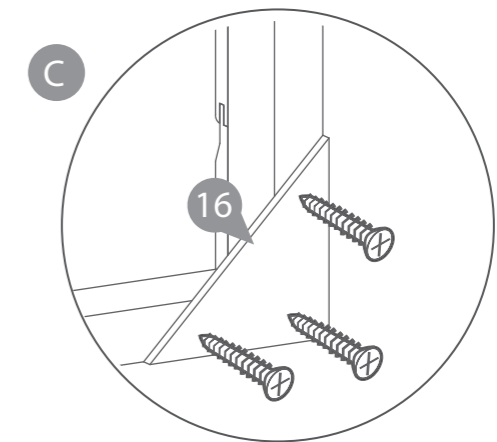
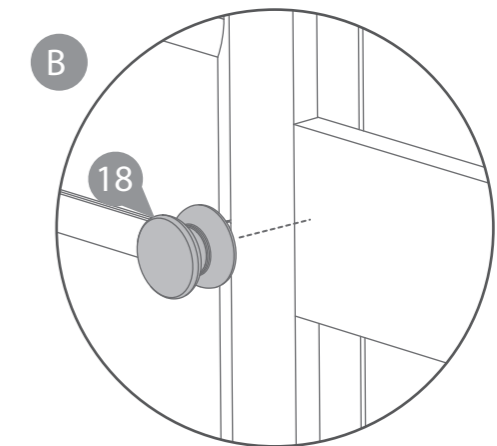
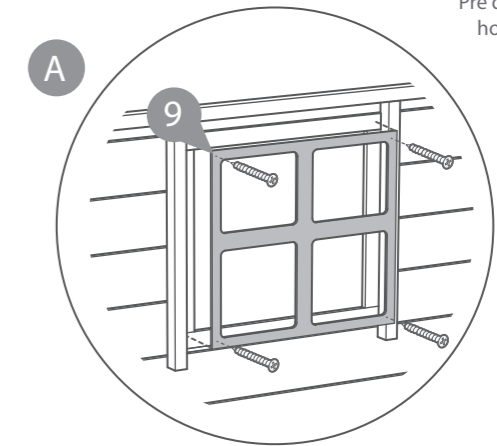
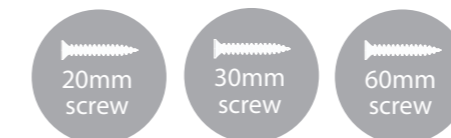
A Place a Window Frame Cross (No. 9) against the inside of each window. Position the frame centrally to the window and fix using 4x20mm screws per frame.

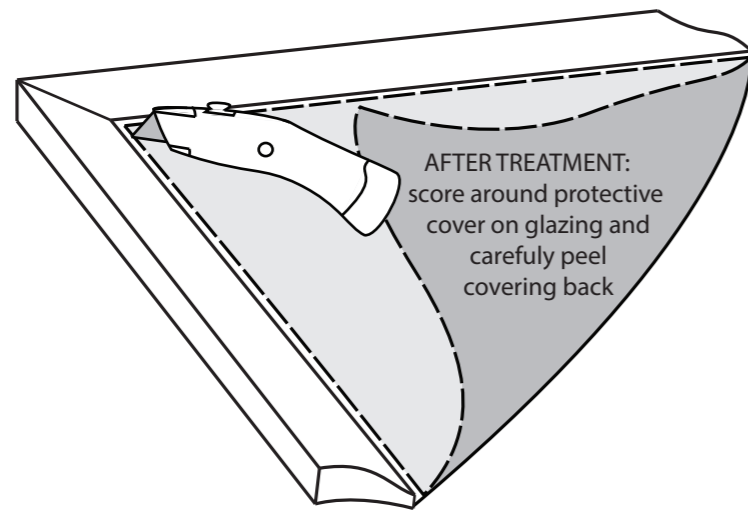
B Place the Wooden Door Handle (No. 18) on the outside of the door and use a 60mm screw from the inside to secure.

C On the inside of the door opening fix the Ply Triangle (No. 16) door stop to the bottom left corner using 3x20mm screws.

D Fix two Window Shutters (No. 10) to each side window with 4x30mm screws, fix through the building cladding into the window shutters.

23x20mm Screws
24x30mm Screws
1x60mm Screws





Playhouse Maintenance:

It is recommended that the following checks and maintenance are carried out at the beginning of each season as well as at regular intervals during the usage season.

- Check all nuts /bolts/ screws for tightness and tighten when required.
- Check for movement / opening of wood giving rise to protrusion of nail heads and tips.
- Check hinges.
- Replace defective parts in accordance with the manufacturers instructions.
- Check any crossbeams, suspensions and anchors.
- If a swing is included; check the swing seat, chains and ropes.

IF THESE CHECKS ARE NOT CARRIED OUT THE ACTIVITY TOY COULD BECOME A HAZARD

DO NOT ALLOW YOUR CHILD TO PLAY WITH ANY COMPONENT PARTS PRIOR TO ASSEMBLY.