

02CHY0404-V6-PEFC

Cherry Playhouse



WARNING: Only for domestic use
Not suitable for children under 36 months due to small parts and danger of falling from heights.
To be used under direct supervision of an adult



BEFORE YOU START PLEASE THE READ INSTRUCTIONS CAREFULLY

- Check the pack and make sure you have all the parts listed in the parts list provided.
- When you are ready to start, make sure you have the right tools at hand (not supplied) including a Phillips screwdriver, Flathead screwdriver, Stanley knife, Wood saw, Step ladder, Hammer, Spirit level and a Drill with 2mm bit.
- Ensure there is plenty of space and a clean dry area for assembly.
- Ensure you have enough time to build the product to ensure the building is water tight.

TIMBER

As with all natural materials, timber can be affected during various weather conditions. For the duration of heavy or extended periods of rain, swelling of the wood panels may occur. Warping of the wood may also occur during excessive dry spells due natural processes. Unfortunately, these processes cannot be avoided but can be helped. It is suggested that the outdoor building is sprayed with water during extended periods of hot weather and sheltered as much as possible during rain or snow.

Our buildings are pre treated with a water based treatment**, this only helps to prevent discolouration whilst in stock. To validate your guarantee and ensure longevity of the product, it is ESSENTIAL the building is treated with a suitable preservative in accordance with the manufacturers recommendations. Care must be taken to ensure the product is placed on a suitable base.

We recommended using a suitable protection for your playhouse. As the product is destined for use by children, a water based treatment that is **EN71 tested** for children is ESSENTIAL.

We also recommend treating the building prior to construction.

POSITIONING YOUR PLAYHOUSE

When thinking about where the building and base is going to be constructed:
 Ensure that there will be access to all sides for maintenance work and annual treatment.

We recommend a **minimum space of 2m around a playhouse**, away from any structure or obstructions such as fences, garages, houses, overhanging branches, washing lines or electrical wires.

It is recommended that the position of the Playhouse, Slide and Swing is **not in direct sunlight**.

Activity toys such as swings and slides for towers shall not be installed over concrete, asphalt or any hard surface.

BUILDING A BASE

Ensure the base is level and is built on firm ground, to prevent distortion, checking with a spirit level. Refer to diagrams for the base dimensions. The base should be slightly smaller than the external measurement of the building, i.e. The cladding should overlap the base, creating a run off for water. It is also recommended that the floor be at least 25mm above the surrounding ground level to avoid flooding.

TYPES OF BASE

- Concrete 75mm laid on top of 75mm hard-core.
- Slabs laid on 50mm of sharp sand.
- Wooden base.



WARNING

- ONLY SUITABLE FOR DOMESTIC USE.
- TO BE USED UNDER DIRECT SUPERVISION OF AN ADULT.
- THIS PRODUCT SHOULD NOT BE MODIFIED IN ANY WAY. ANY MODIFICATIONS SHOULD BE DETERMINED BY THE MANUFACTURER AND CARRIED OUT ACCORDING TO THE INSTRUCTIONS.
- DO NOT ALLOW YOUR CHILD TO PLAY WITH ANY COMPONENT PARTS PRIOR TO ASSEMBLY.
- MAX AGE OF 14 YEARS.
- THIS TOY IS FOR OUTDOOR USE ONLY.
- USE A WATER BASED TREATMENT THAT IS EN71 TESTED

CAUTION

Wood is a natural product and can change post manufacture. So despite every effort being made to ensure the material used are cut and machined to a clean and smooth finish, care must be taken when handling the product and preparing for use by your child.

Any areas of concern, in the play areas, can be rubbed over with sandpaper to achieve a smoother finish. Alternatively, call the customer service department who will be happy to arrange replacement panels/parts.



All buildings should be erected by at least two adults.
DO NOT ALLOW CHILDREN TO ASSIST.



Winter = High Moisture = Expansion
 Summer = Low Moisture = Contraction



2mm Drill bit
 12mm CSK

To prevent damage during assembly, you **MUST** pilot drill all screw holes and **ensure all screw heads are countersunk.**



For ease of assembly, you will need a tape measure to check dimensions of components.

Whilst all products manufactured are made to the highest standards of Safety and in the case of childrens products independently tested to EN71, we cannot accept responsibility for your safety whilst erecting this product.

**Protim Aquatan T

Your building has been treated with **Aquatan**.

Aquatan is a water-based concentrate which is diluted with water, the building as been treated by the correct application of Aquatan solution and then allowed to dry.

Aquatan is a decorative finish to colour the wood, which is applied industrially to timber fence panels and garden buildings.

Aquatan undiluted contains: boric acid, sodium hydroxide 32% solution, aqueous mixture of sodium dioctyl sulphosuccinat and alcohols: 2, 4, 6-trichlorophenol.

In all instances for assistance with your product, please contact customer care on : 01636 880514 or customerservice@merciagp.co.uk

**Mercia Garden Products Limited,
 Sutton On Trent,
 Newark,
 Nottinghamshire,
 NG23 6QN**



Look for the symbols and follow the safety guidelines below.



Ensure screw heads are subflush and sand down any splinters created.



Ensure the screws are fixed squarely and do not protrude.



12mm gap surrounding the door.



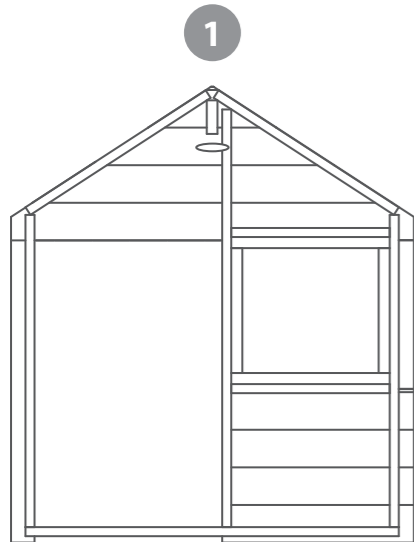
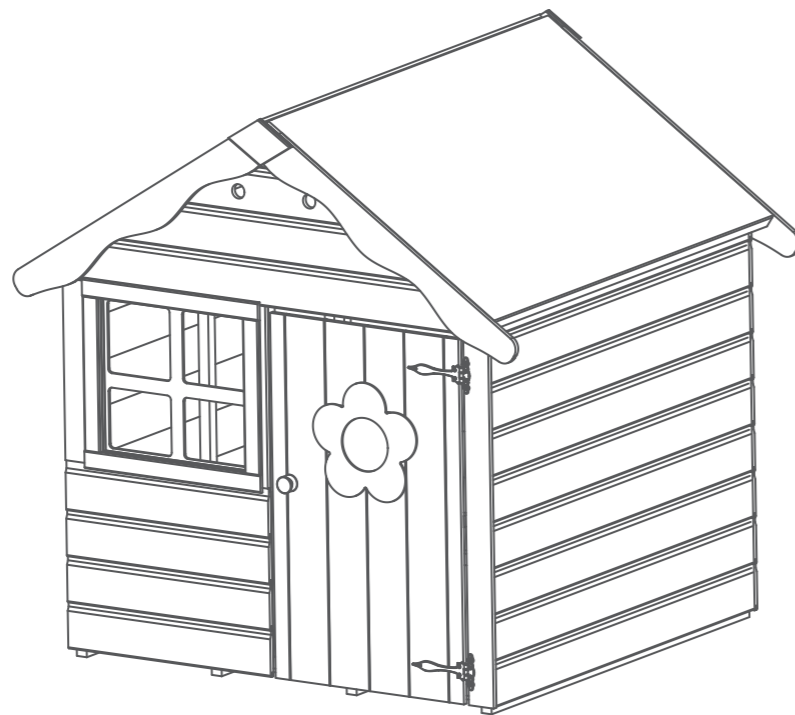
50kg per user

Overall Dimensions:

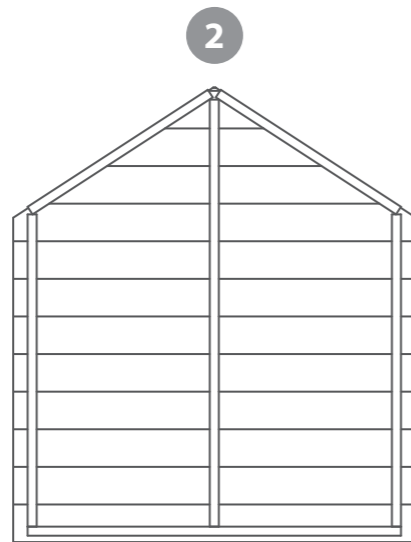
Width = 1407mm
Depth = 1229mm
Height = 1382mm

Base Dimensions:

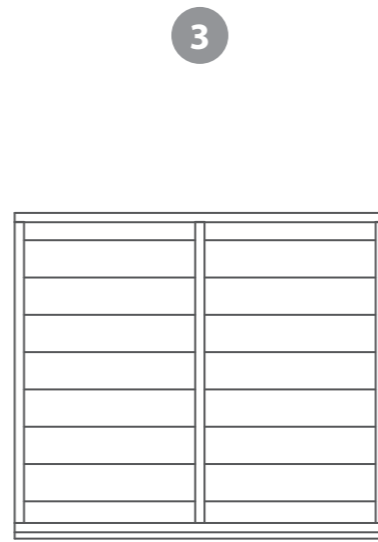
Width = 1170mm
Depth = 1110mm



Door Gable QTY 1
AI-02CHY0404DG1200X1336-V5



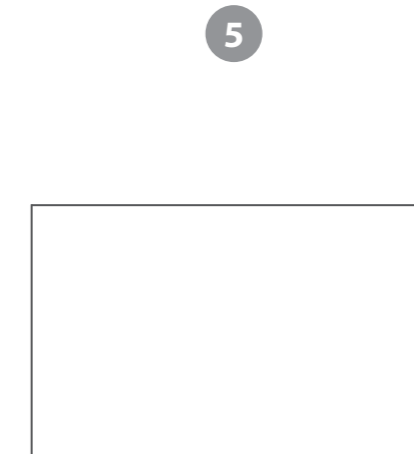
Plain Gable QTY 1
AI-02CHY0404PG1200X1336-V5



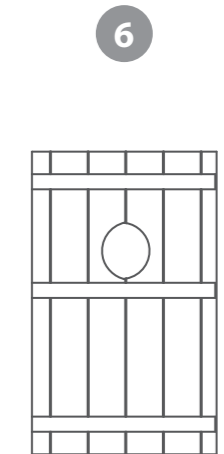
Plain Side QTY 2
AI-02CHY0404PS1112X979-V1



Floor Sheet QTY 1
PI-03-0002



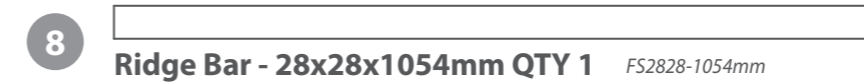
Roof Sheet QTY 2
PI-03-0004



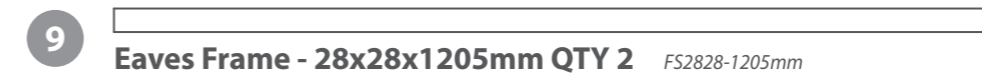
Door QTY 1
AI-02CHY0404D531X887-V5



Window QTY 1
AI-02PHOW-V1



Ridge Bar - 28x28x1054mm QTY 1 FS2828-1054mm



Eaves Frame - 28x28x1205mm QTY 2 FS2828-1205mm



Floor Joist - 28x28x1110mm QTY 4 FS2828-1110mm



Fascia - 95x12x800mm QTY 4 FAS1295-800mm



Fascia Block - 28x28x200mm QTY 1 F2828-240mm (200mm Finished Length)



Finial QTY 2
SHED DIAMOND FINIAL



Door Styrene QTY 1
PI-05-0014



Door Flower QTY 1
PI-04-0016



Window Cross QTY 1
PI-04-0013



Wooden Door Handle QTY 1
PI-04-0024



Corner Brace QTY 2
PI-07-0012



Hinge QTY 2
PI-07-0113











Window Block QTY 2
PI-07-0011



Felt

DO NOT ALLOW YOUR CHILD TO PLAY WITH ANY COMPONENT PARTS PRIOR TO ASSEMBLY.

Nail Bag

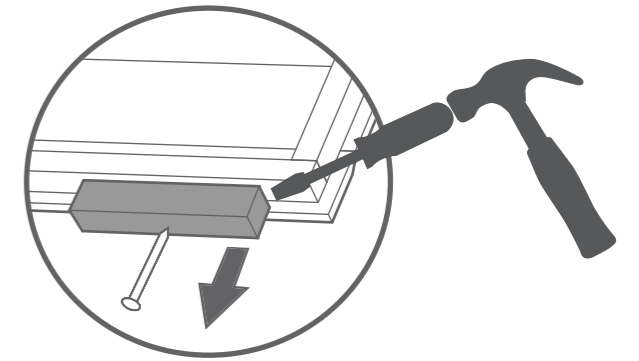
-  Felt Tacks x 60
-  16mm Screw x 3
-  20mm Screw x 4
-  30mm Screw x 44
-  30mm Black Screw x 14
-  40mm Screw x 32
-  50mm Screw x 24
-  60mm Screw x 1

Pre Assembly

Before assembling remove the transportation blocks from the bottom of each panel.

Take care removing the blocks as to not damage the panels. Tap with a flat headed screwdriver and hammer.

Dispose of the blocks once removed.



Step 1

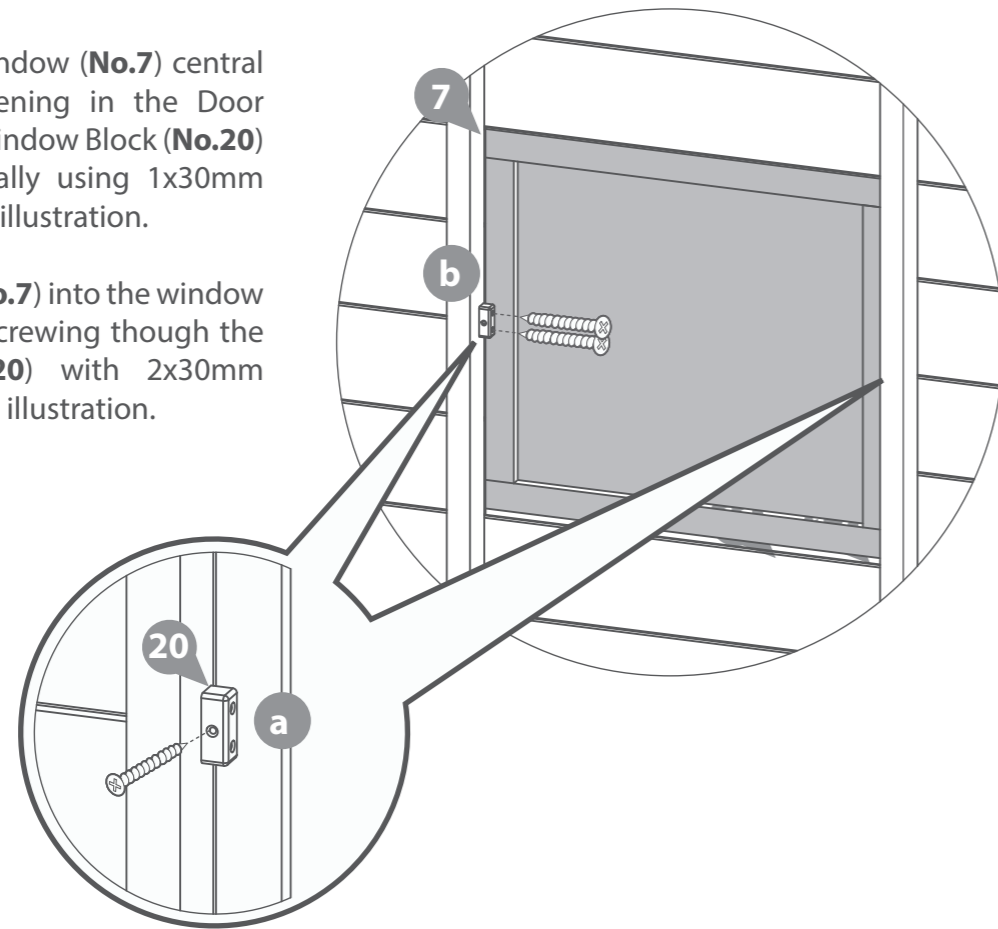
Parts needed - No. 1 QTY 1
 No. 7 QTY 1
 No. 20 QTY 6



a Position the Window (No.7) central into the window opening in the Door Gable (No.1). Fix the Window Block (No.20) to the Window centrally using 1x30mm screw, as shown in the illustration.

b Fix the Window (No.7) into the window hole in the panel by screwing through the Window Block (No.20) with 2x30mm screws as shown in the illustration.

6x30mm screws.



Step 2

Parts needed- No. 1 QTY 1
 No. 6 QTY 1
 No. 19 QTY 2



Place the Door Panel within the Door Gable (No. 1) on a flat level surface and place the Door (No. 6) into the door opening.

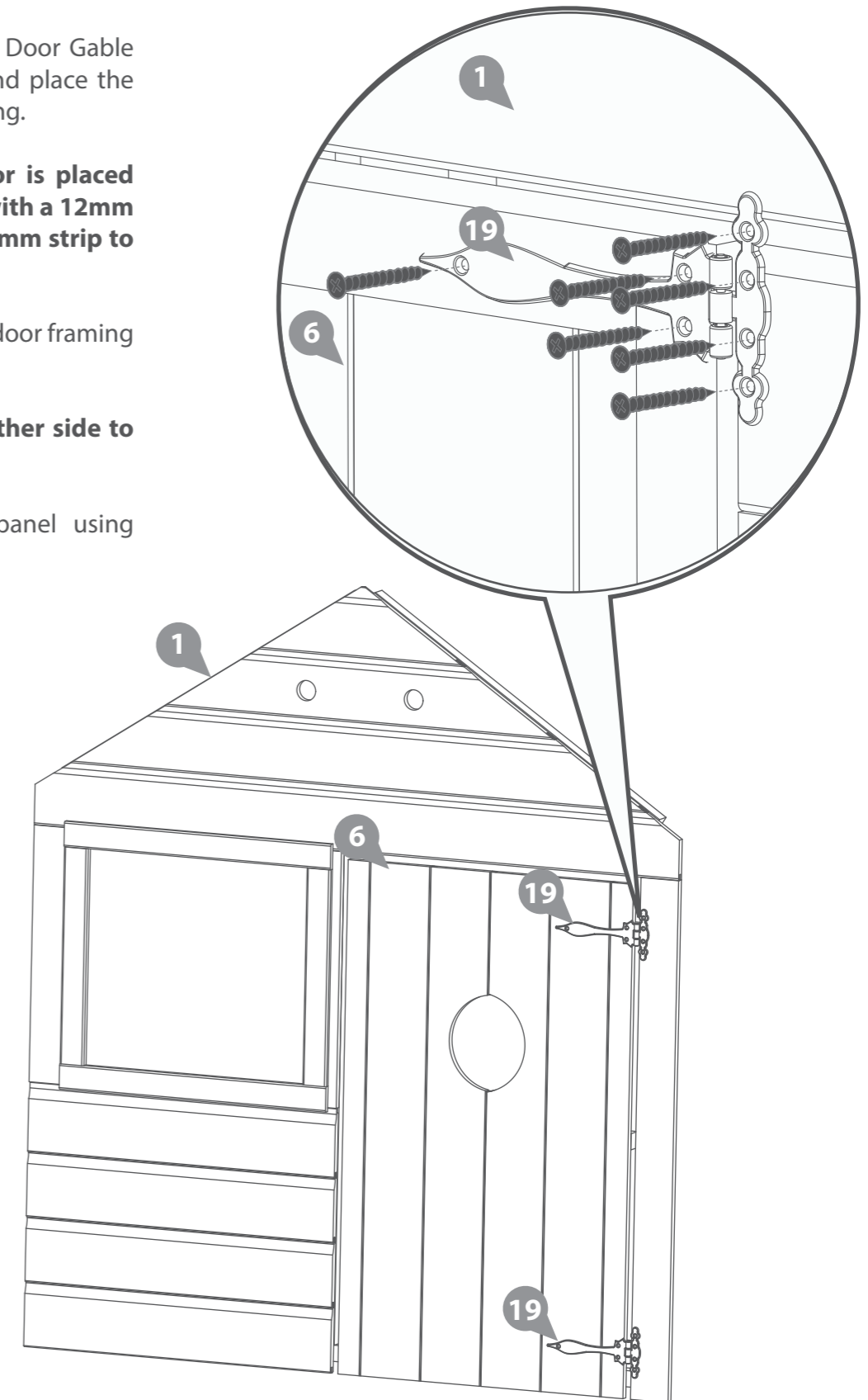
****It is important that the door is placed central in the space provided with a 12mm gap around the edge. Use a 12mm strip to help keep the gap correct.**

Fix the Hinges x2 (No. 19) to the door framing with 3x30mm black screws.

The door can be hung from either side to suit your needs.

Fix the Hinges to the Door panel using 4x30mm black screws.

14x30mm black screws.



Step 3

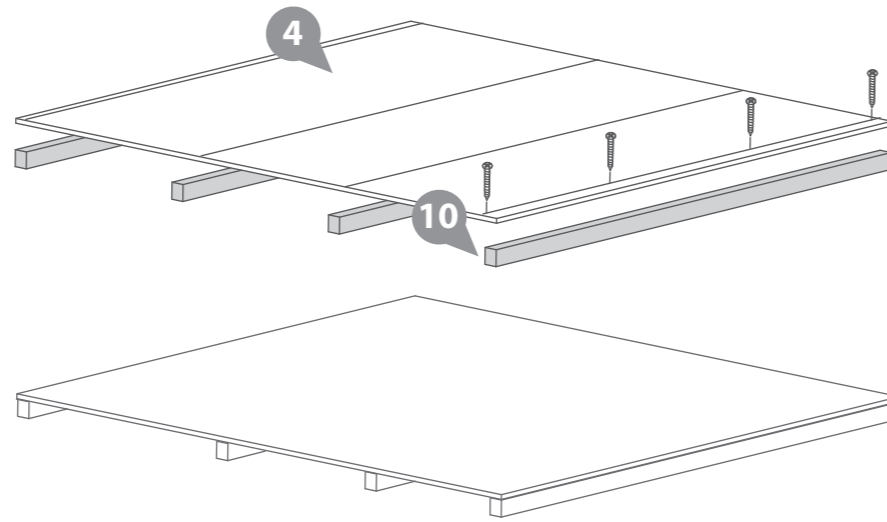
Parts needed - No. 4 QTY 1
No. 10 QTY 4

If purchased with a tower please read both sets of instructions before beginning assembly.

Lay the Floor Joists (No. 10) under the Floor Sheet (No. 4) with an even space between each one. Position the joists flush on one side of the floor sheet and mark the centers of joists onto either end. Fix using 4 x30mm screws per joist.

Place the floor on your firm and level base, ensuring base has suitable drainage free from areas where standing water can collect.

16x30mm screws.



Step 4

Parts needed - No. 2 QTY 1
No. 3 QTY 1

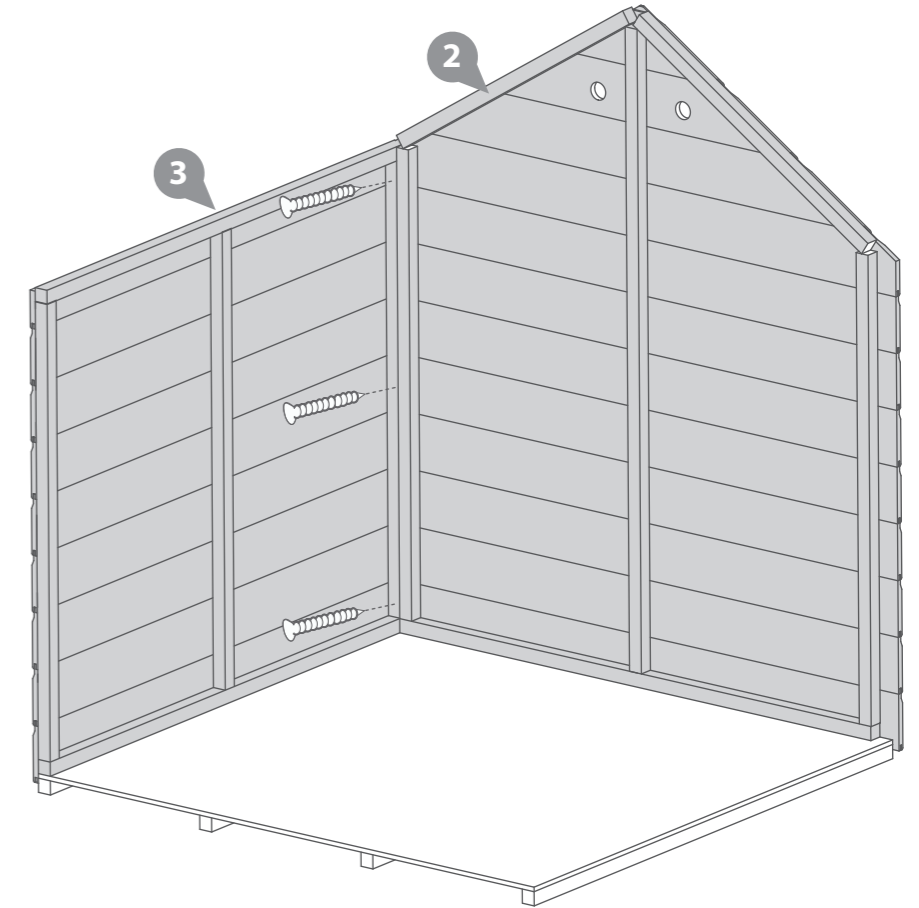
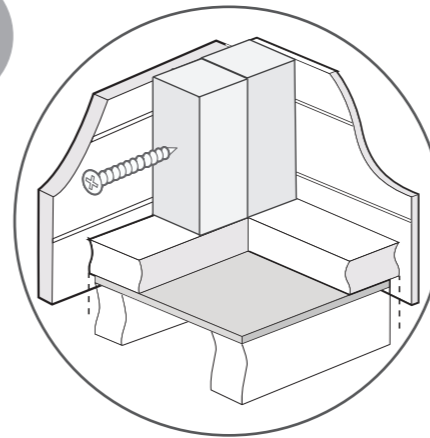
Locate the Plain Gable (No.2) to a Plain Side (No. 3).

Fix together by securing at the corners with 3x50mm screws as shown in the illustration.

Do not secure the building to the floor until after the roof has been fitted.

Position the panels so there are equal gaps between the floor and cladding.

3x50mm screws.



Step 5
Parts needed - No. 1 QTY 1
No. 3 QTY 1



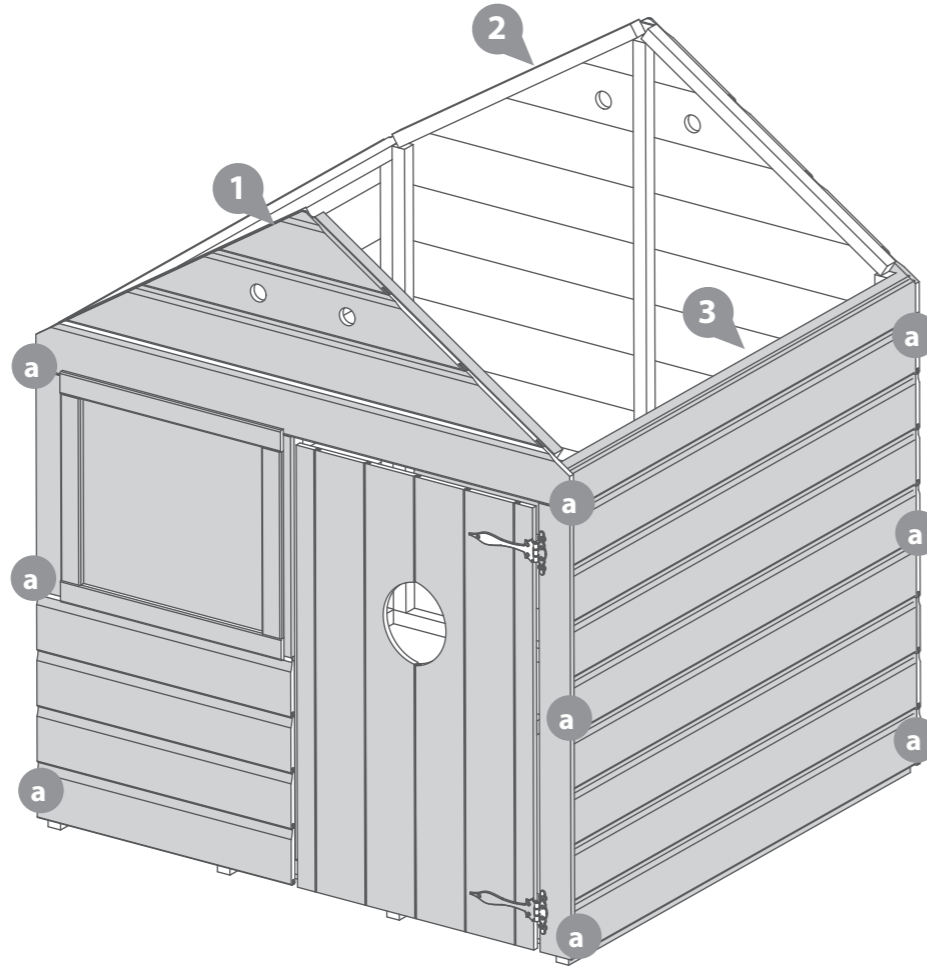
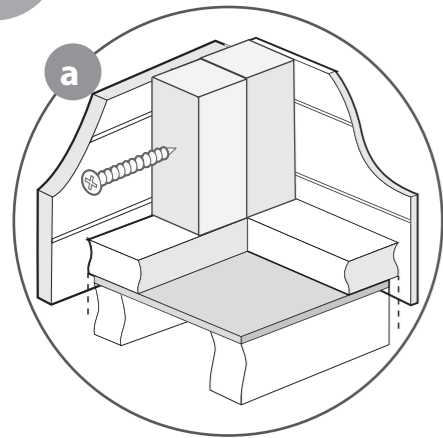
Using the same method as in Step 4, Fix the remaining Plain Side (No.3) to the Plain Gable (No.2) using 3x50mm screws.

Attach the Door Gable (No.1) to the Plain Sides (No.3) by screwing through the corners using 3x50mm screws per corner

Position the panels so there are equal gaps between the floor and cladding.

Do not secure the building to the floor until after the roof has been fitted.

9x50mm screws.



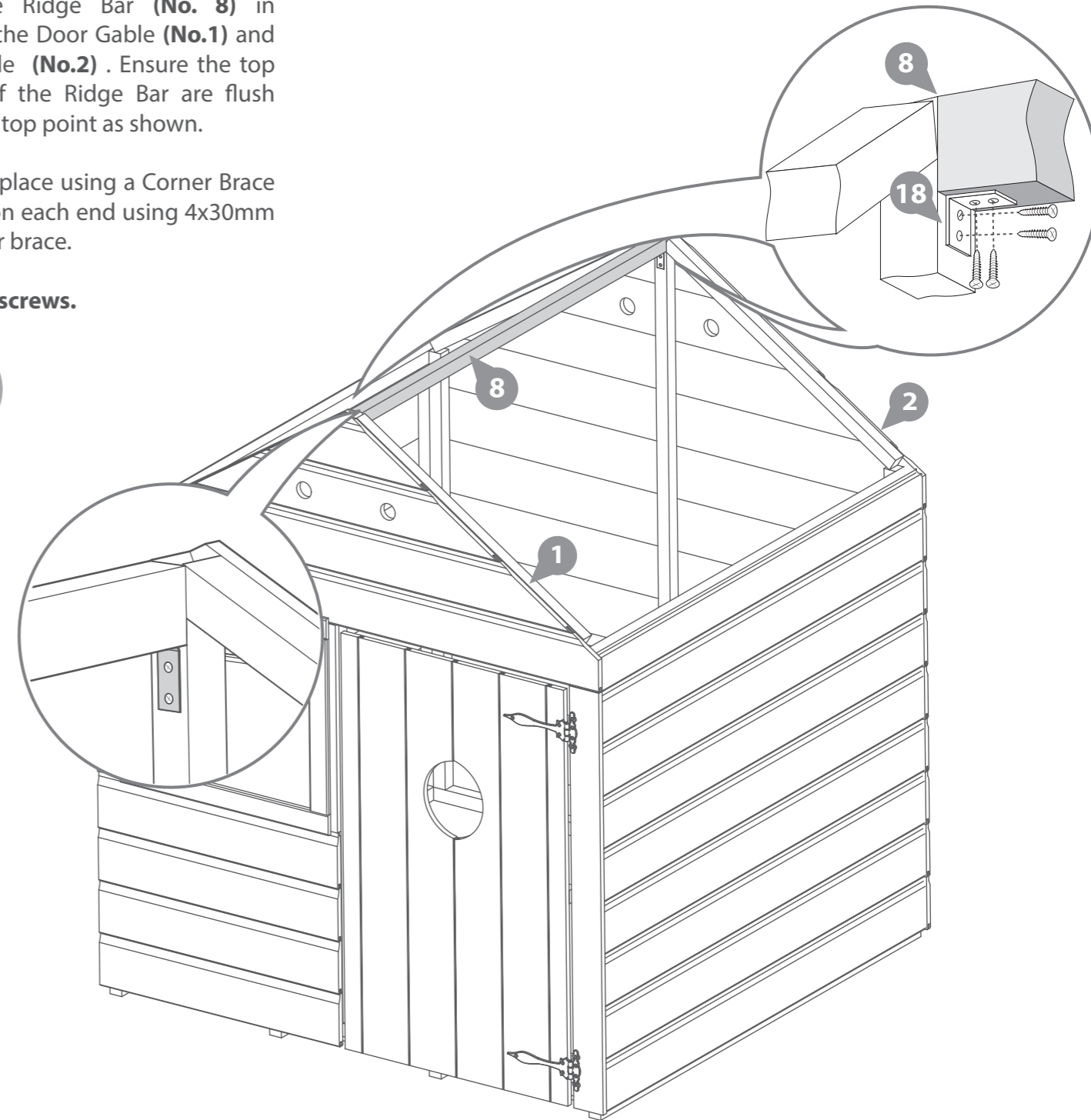
Step 6
Parts needed - No. 8 QTY 1
No. 18 QTY 2



Place the Ridge Bar (No. 8) in between the Door Gable (No.1) and Plain Gable (No.2). Ensure the top corners of the Ridge Bar are flush with each top point as shown.

Secure in place using a Corner Brace (No. 18) on each end using 4x30mm screws per brace.

8x30mm screws.



DO NOT ALLOW YOUR CHILD TO PLAY WITH ANY COMPONENT PARTS PRIOR TO ASSEMBLY.

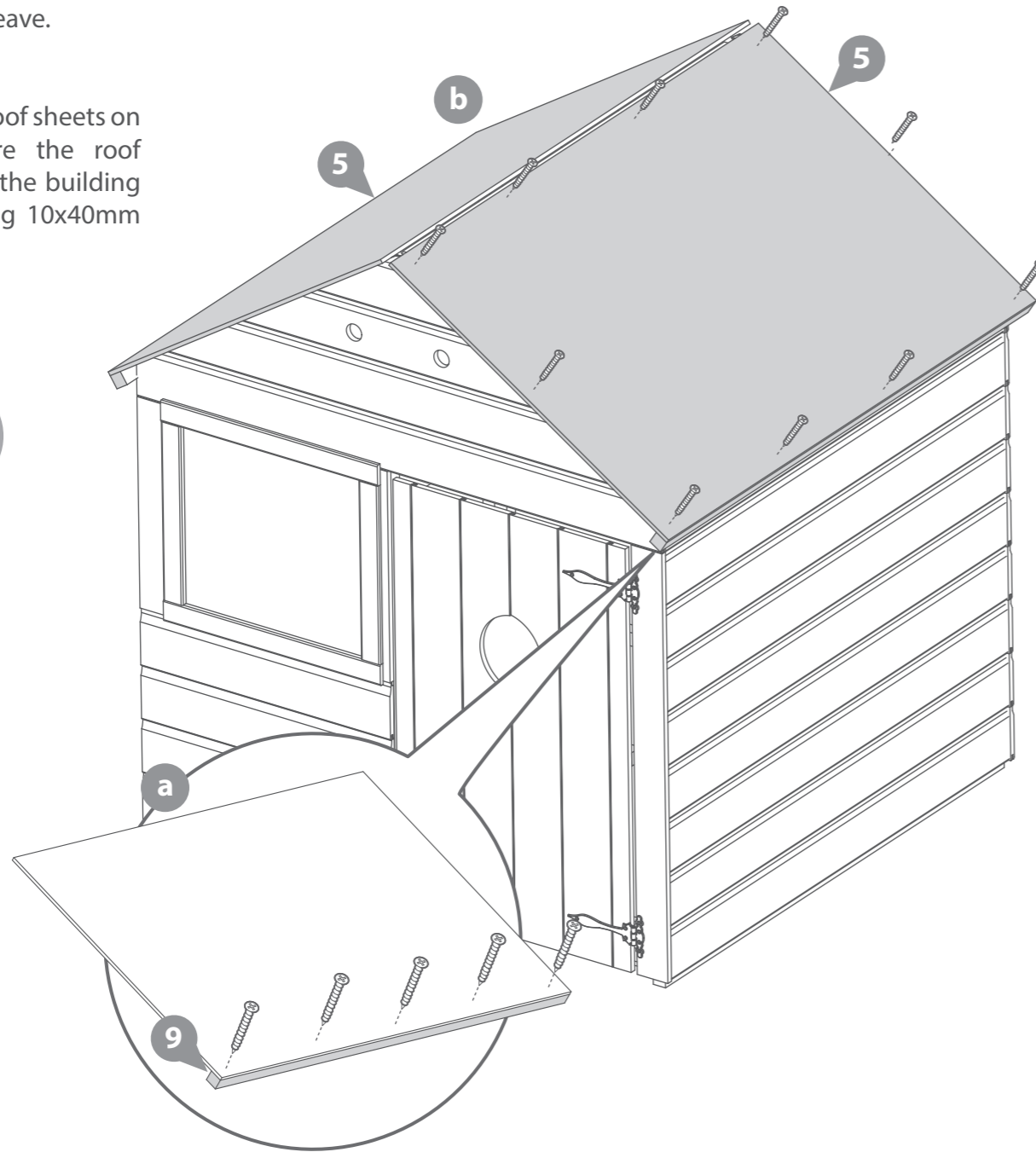
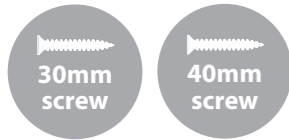
Step 7

**Parts needed - No. 5 QTY 2
No. 9 QTY 2**

a Fix an Eaves Frame (No. 9) to each Roof Sheet (No. 5) using 5x30mm screws per eave.

b Position the roof sheets on the building. Ensure the roof sheet sits flush with the building at the back. Fix using 10x40mm screws per sheet.

**10x30mm screws.
20x40mm screws.**

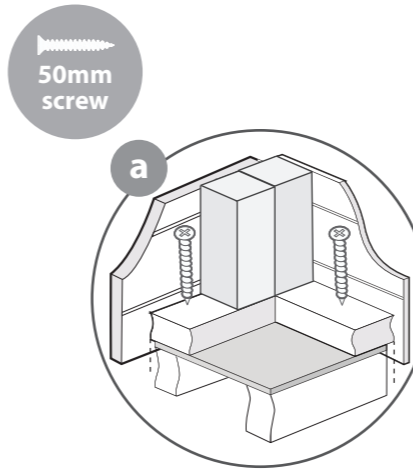


Step 8

Position the building square between the floor and cladding.

Fix the building to the floor using 50mm screws as shown in the illustration. Use 3x50mm screws per panel, making sure to screw through the framing into the floor.

12x50mm screws.

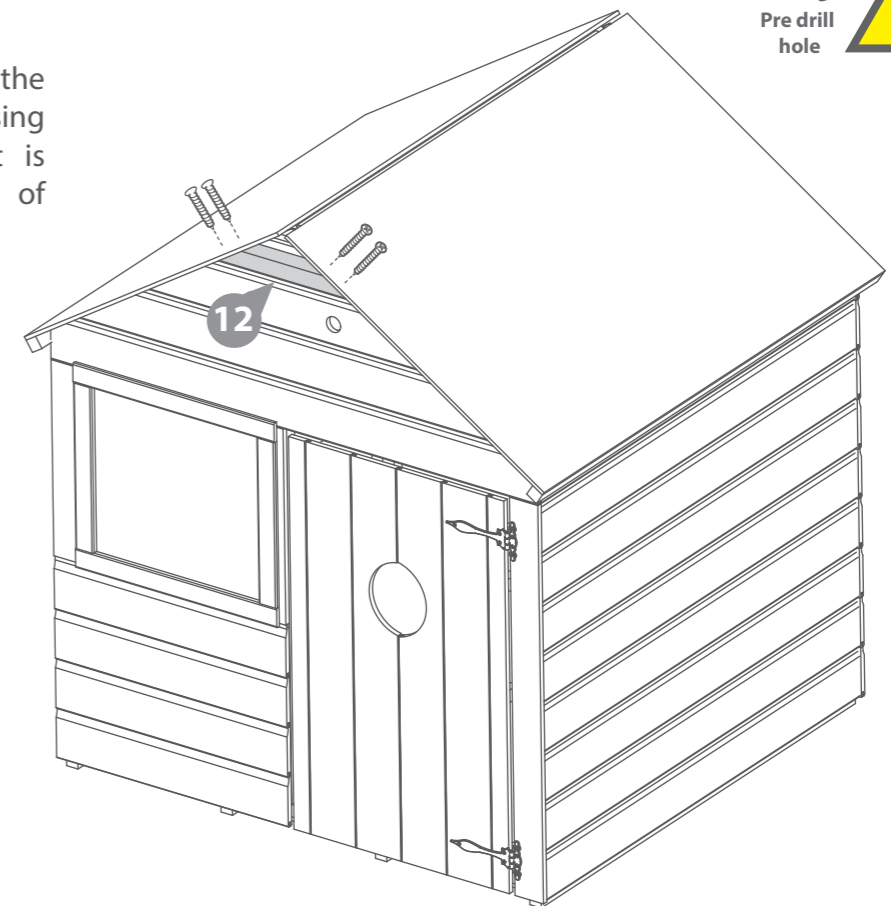
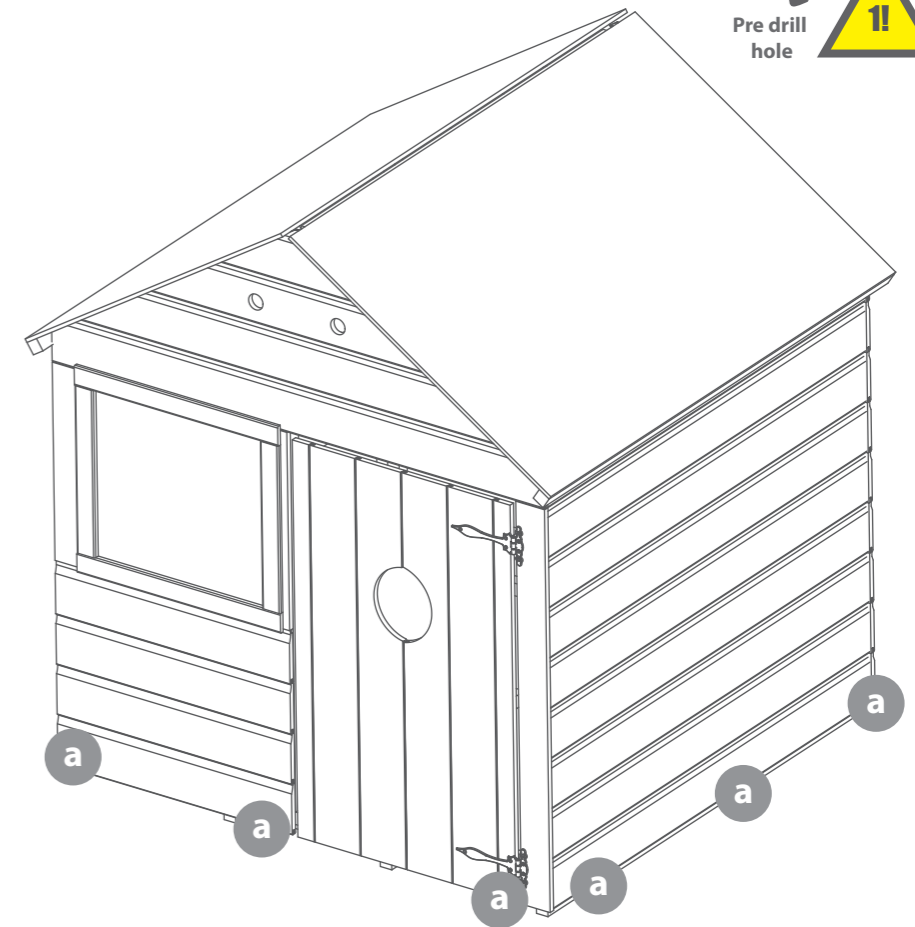


Step 9

Parts needed - No. 12 QTY 2

Fit the Fascia Block (No. 12) to the front of the building using 4x30mm screws, ensuring it is flush with the outside edge of each roof sheet.

4x30mm screws.

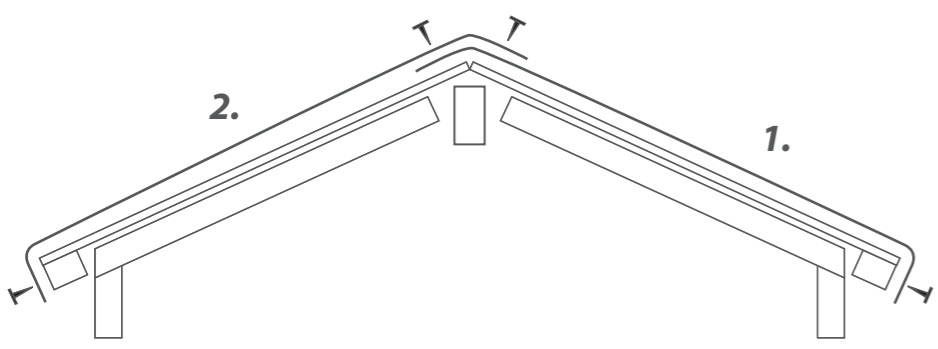
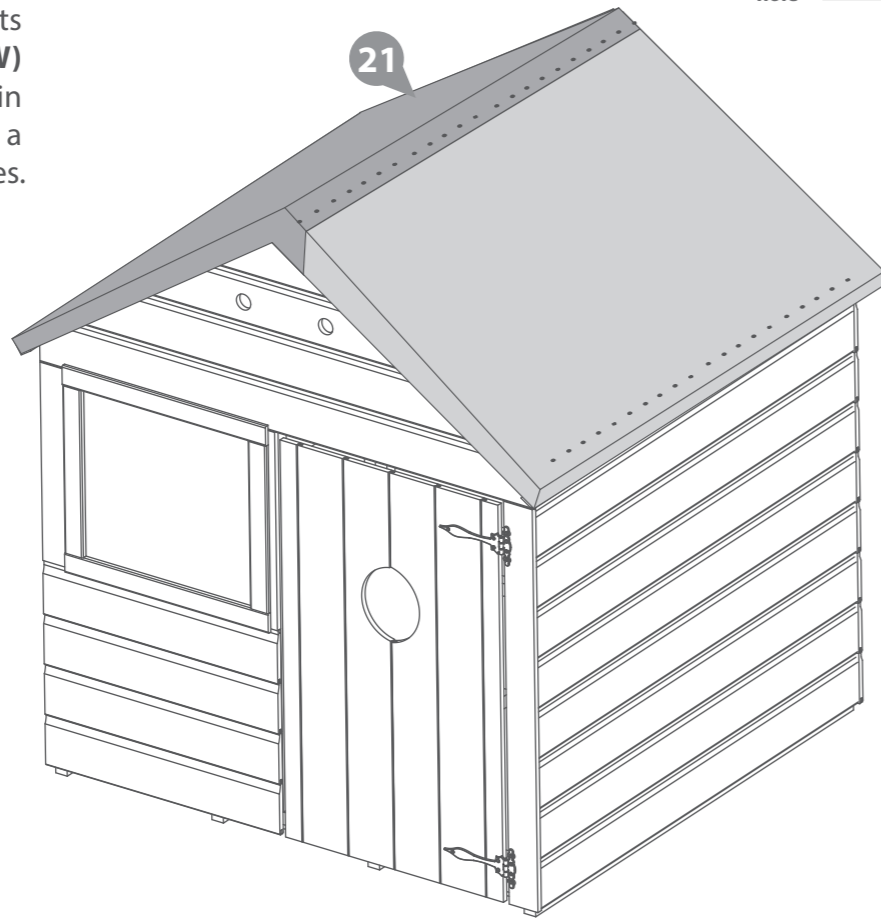
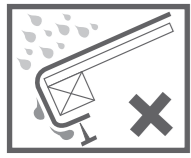


DO NOT ALLOW YOUR CHILD TO PLAY WITH ANY COMPONENT PARTS PRIOR TO ASSEMBLY.

Step 10
Parts Needed - No. 21

Cut the Felt (**No.21**) into 2 sheets of **1305mm (L) x 1000mm (W)** and lay onto the roof as shown in the diagram ensuring there is a 50mm overhang around the sides.

60x Felt tacks



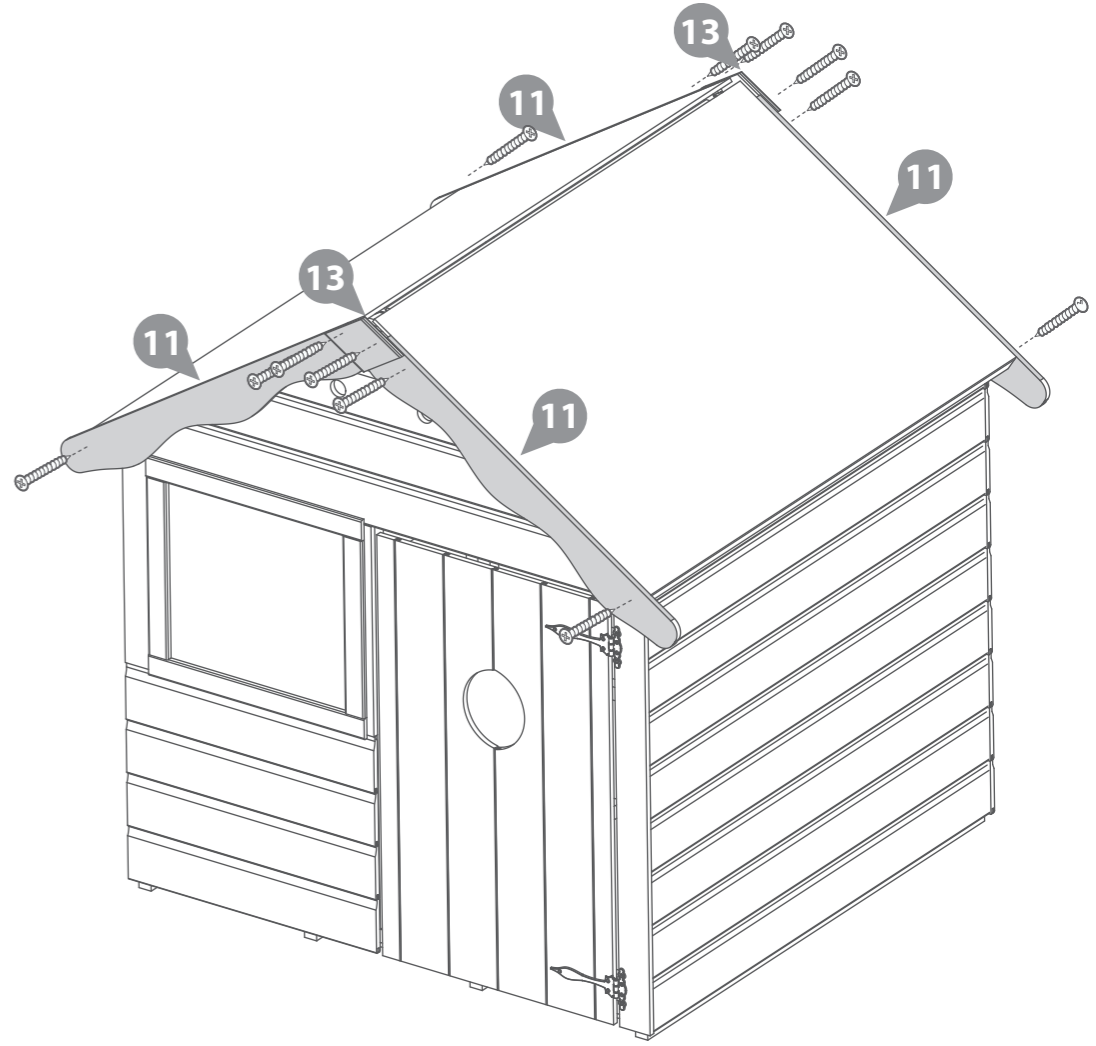
Step 11
Parts needed - No. 11 QTY 5
No. 13 QTY 2

Locate the Fascias (**No. 11**) on to the front and back of the playhouse and Fix with 2x40mm screws per Fascia.

Locate the Finials (**No. 13**) centrally over the fascias and fix in place using 2x40mm screws per Finial.

Ensure to the trap the felt between the fascia and building.

12x40mm screws.



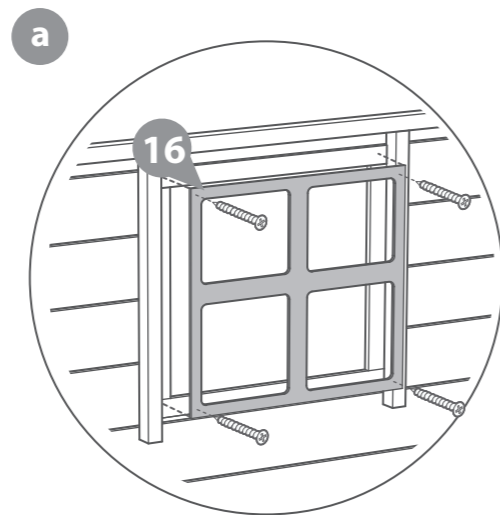
DO NOT ALLOW YOUR CHILD TO PLAY WITH ANY COMPONENT PARTS PRIOR TO ASSEMBLY.

Step 12

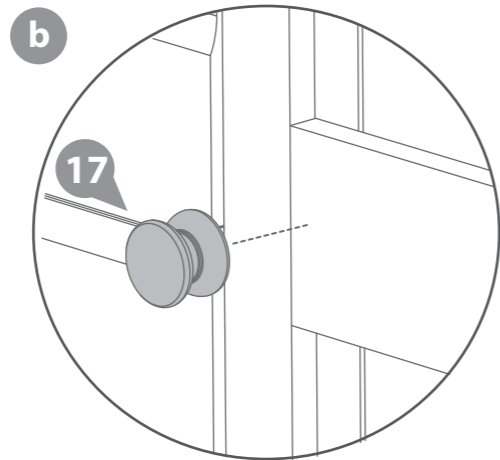
- Parts needed -No. 14 QTY 1**
No. 15 QTY 1
No. 16 QTY 1
No. 17 QTY 1



a Place the Window Cross (**No.16**) against the inside of the window. Position the frame centrally to the window and fix using 4x20mm screws.

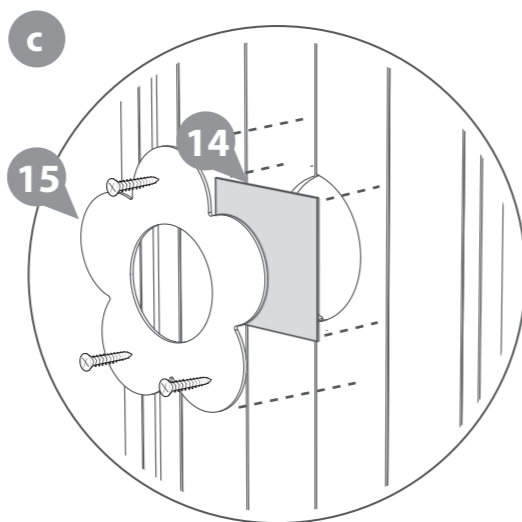


b Place the Wooden Door Handle (**No. 17**) on the outside of the door and secure from the inside by using 1x60mm screw. Pre drill hole first to avoid splitting.

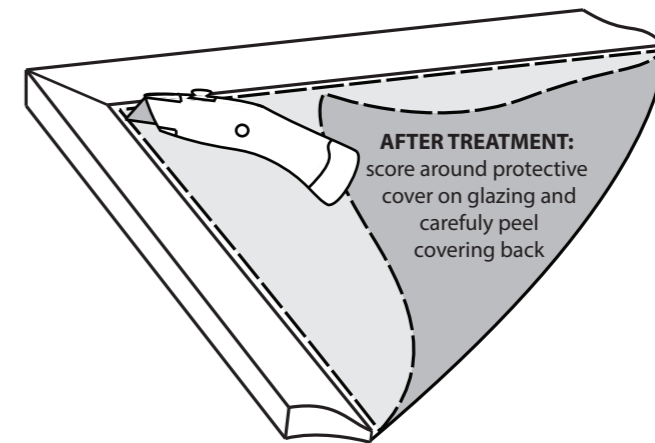


c Sandwich the Door Styrene (**No.14**) between the cut out in the door and the Door Flower (**No. 15**).

Fix in place using 3x16mm screws. Ensure the glazing covers the cut out and the screws do not crack the glazing.



- 3x16mm screws**
4x20mm screws
1x60mm screws



Playhouse Maintenance:

It is recommended that the following checks and maintenance are carried out at the beginning of each season as well as at regular intervals during the usage season.

- Check all nuts /bolts/ screws for tightness and tighten when required.
- Check for movement / opening of wood giving rise to protrusion of nail heads and tips.
- Check hinges.
- Replace defective parts in accordance with the manufacturers instructions.
- Check any crossbeams, suspensions and anchors.
- If a swing is included; check the swing seat, chains and ropes.

IF THESE CHECKS ARE NOT CARRIED OUT THE ACTIVITY TOY COULD BECOME A HAZARD

DO NOT ALLOW YOUR CHILD TO PLAY WITH ANY COMPONENT PARTS PRIOR TO ASSEMBLY.