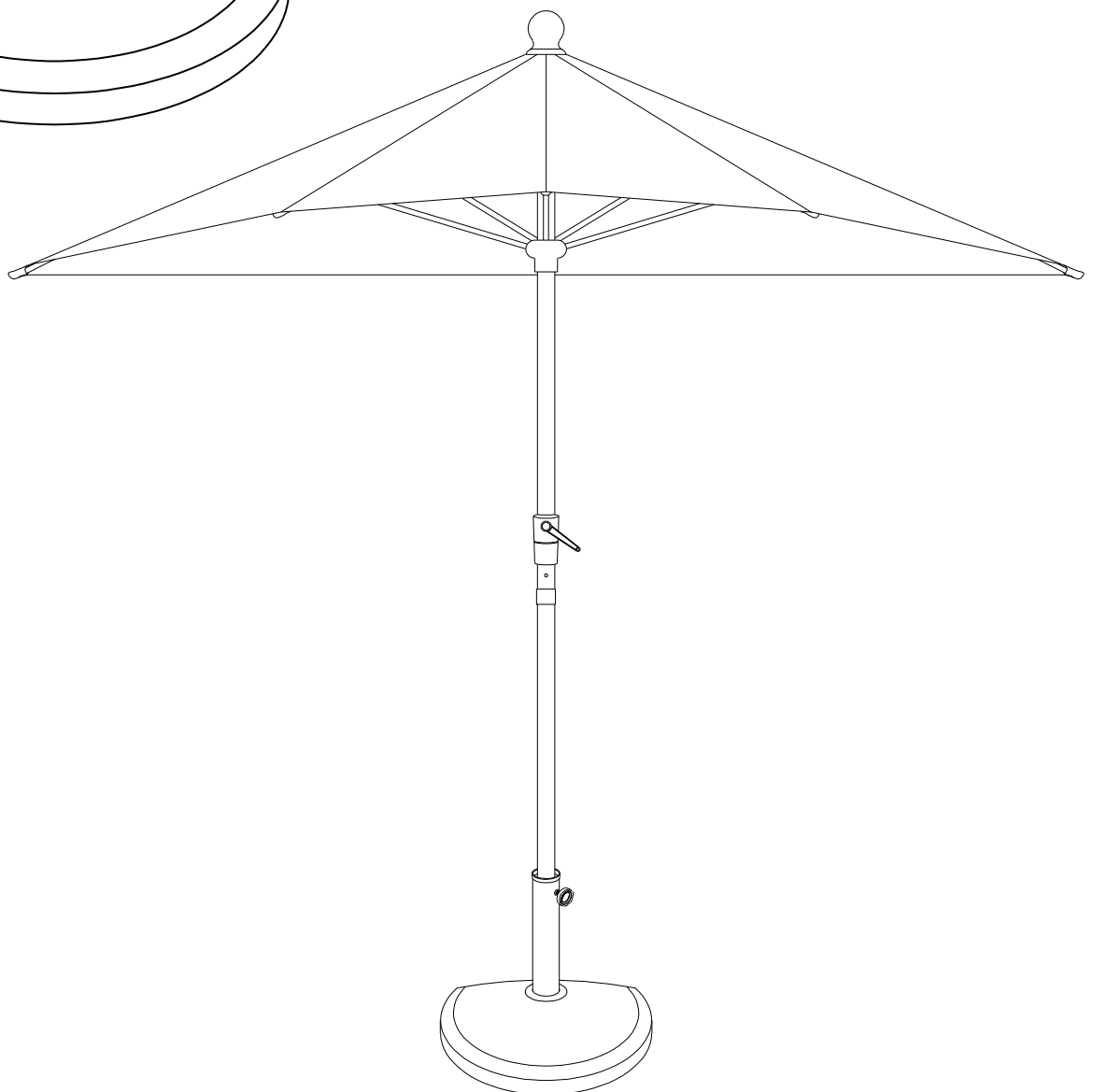
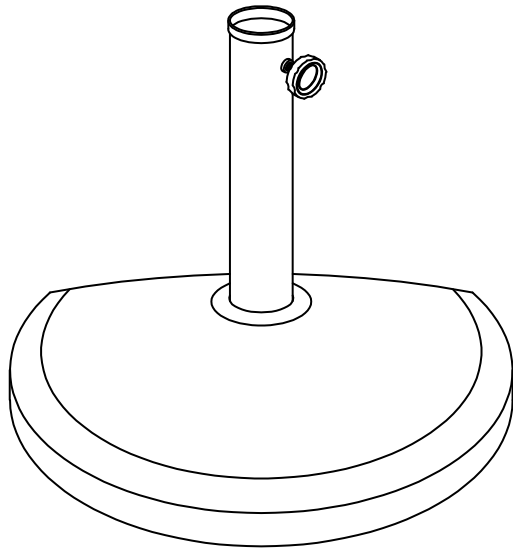


Assembly instructions

Product Size DIA50 x 33 CM



IMPORTANT: Please read the instructions in full before assembly and keep for future reference.



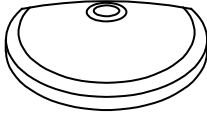
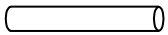
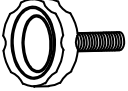


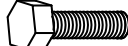
- Make sure that you have plenty of space and a clean, dry area for assembly.
- Due to the size of this product we recommend that it is assembled in the room intended for use.
- Unwrap all packaging materials and place the components on top of the carton box or on a clean floor to prevent scratching.
- Check the parts and fittings received to ensure you have everything listed.
- To avoid the risk of suffocation to children and animals, dispose of plastic bags immediately.
- Keep all fittings out of the reach of children during assembly.
- Do not use power tools to construct this product, as their use could make the product unsafe and will invalidate the warranty.
- Do not over tighten screws or bolts.
- The fixings should be regularly checked and tightened as necessary.
- If fixings are found to be damaged or missing, they must be replaced before further use of the product.
- Do not use scourers, abrasives (including washing powders), bleach or solvent based cleaners as they can bleach or damage the product

Should your product be faulty or have missing parts then please contact our customer services department who will be happy to assist you, please have your order number and batch code or date stamp ready.

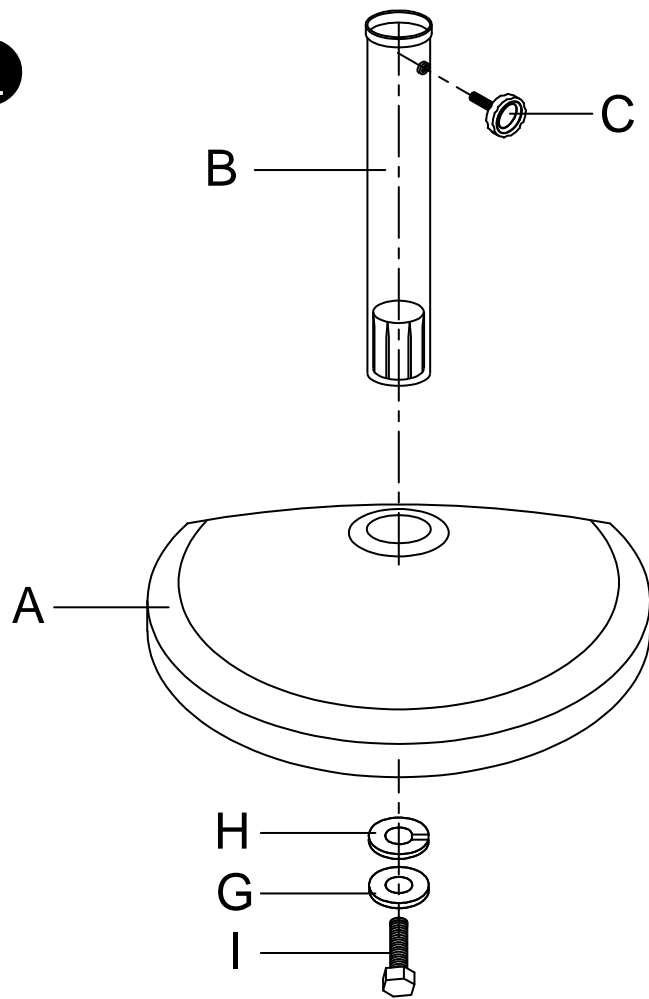


CUSTOMER SERVICES 0871 984 1924

PARTS LIST

A		1
B		1
C		1
D		1
E		1
F		1

1



2

