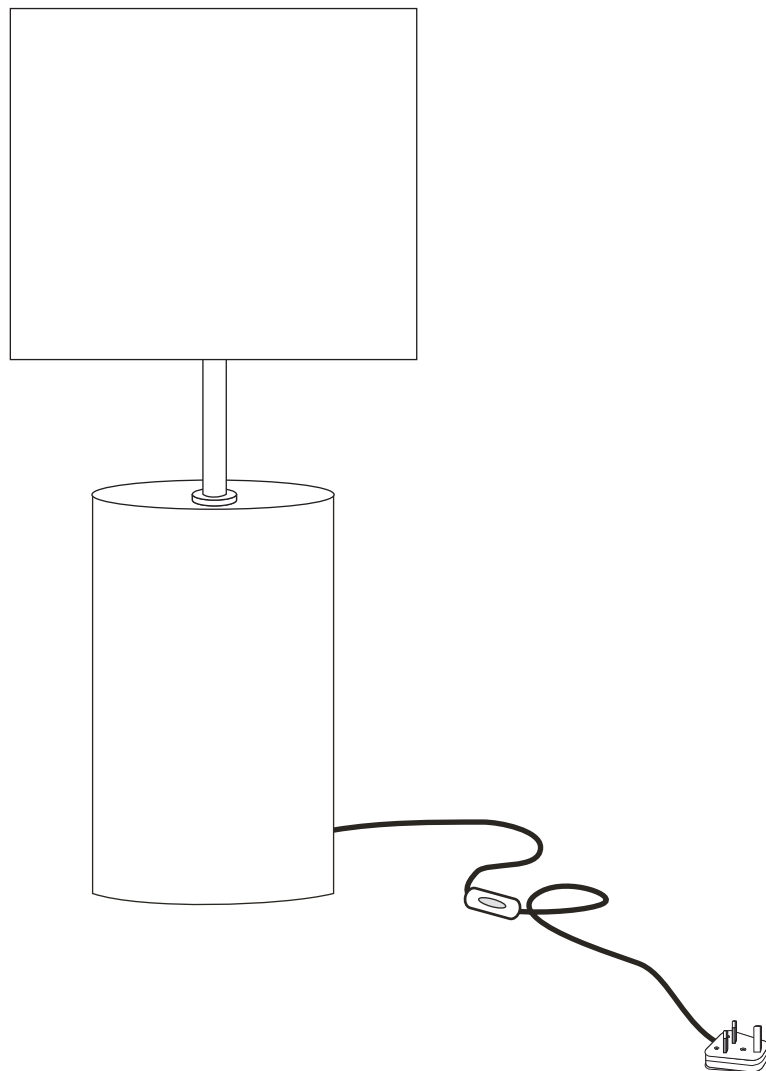




MARBLE AND GOLD TABLE LAMP DMM004

USER MANUAL

Product Size H430mm x W305mm X D305mm
Version Reference 2020/01/09



SAFETY WARNINGS

- Read these instructions before use, and save for future reference.
- This table light is only suitable for connection to a 240V~50Hz socket. If you are unsure about the suitability of the socket, have it checked by a qualified electrician.
- The table light is a Class II product and so does not require an earth connection.
- This is for domestic, indoor use only, and is not suitable for use within a bathroom or other humid environment.
- This unit is designed for an E27 Bulb with a maximum rating of 40W. Never fit bulbs of a higher wattage than specified on the label (as these may cause overheating and damage the fitting).
- Ensure the table light is not exposed to water or damp conditions.
- Keep the table light away from heat sources such as hobs or ovens.
- This table light may contain delicate parts – be careful during handling and maintenance to avoid breakage.
- If any modification is made to the unit, it will invalidate the warranty and may render the product unsafe.
- Do not use if there is any signs of damage to the lamp or the cable.
- If the cable or plug require replacement
- A damaged cable must be repaired by the manufacturer, or a suitably qualified person.
- Keep children away from the lamp, and do not leave them unsupervised with it.
- Do not look directly into the light source! Your eyes could be damaged.
- Always place the unit on an even and stable surface to prevent it from tipping.
- Do not allow the table light to fall, and do not subject it to strong impacts.
- Do not cover the table light, as this could lead to fire.

CARE INFORMATION

- After use ensure the unit is left 10 minutes to cool before replacing, adjusting or cleaning.
- Clean with a dry cloth only. Do not use liquid or abrasive cleaners on this product.


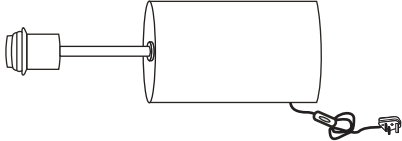
DISPOSAL

Disposal: Do not dispose this product as unsorted municipal waste. Collection of such waste must be handled separately as special treatment is necessary.



Recycling facilities are now available for all customers at which you can deposit your old electrical products. Customers will be able to take any old electrical equipment to participating civic amenity sites run by their local councils. Please remember that this equipment will be further handled during the recycling process, so please be considerate when depositing your equipment. Please contact the local council for details of your local household waste recycling centres.

PARTS

A		01
B		01

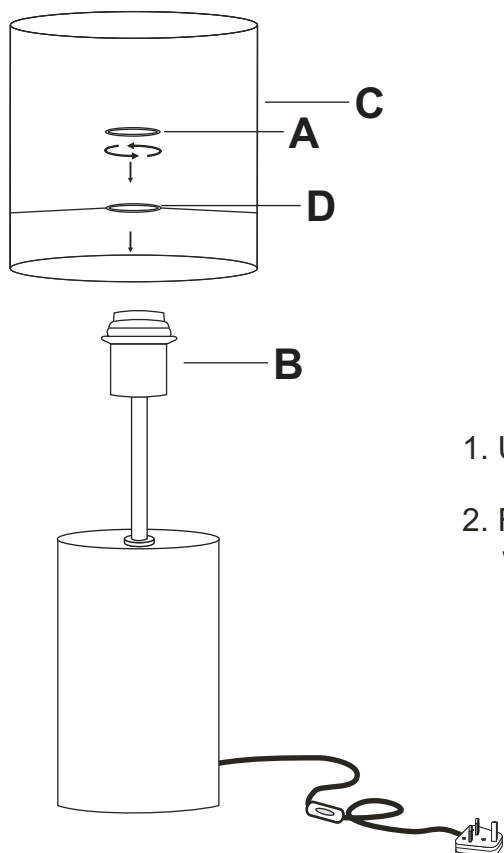
SUPPORT

Should your product be faulty or have missing parts then please contact our customer services department who will be happy to assist you, please have your order number and batch code or date stamp ready.

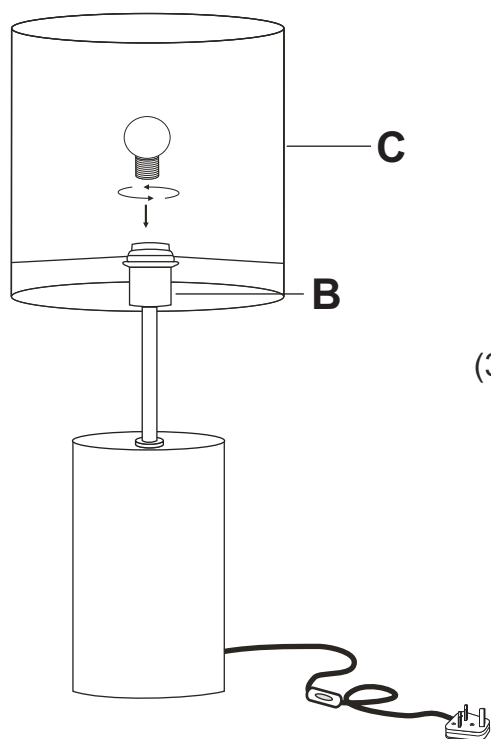
CUSTOMER SERVICES 0871 984 1924

ASSEMBLY

Do not plug in the lamp unless it is fully assembled.



1. Unscrew the ring (A) from the bulb holder (B).
2. Fit the lamp shade (C) on the bulb holder (B) with help of the mid-ring (D) in shade.



- (3) After place the lamp shade (C) on the bulb holder (B) tight the plastic ring (A) on the bulb holder (B) to fix the lamp shade (C).