

02CHY0404-V5-PEFC
Cherry Playhouse



WARNING: Only for domestic use
Not suitable for children under 36 months due to small parts and danger of falling from heights.
To be used under direct supervision of an adult



BEFORE YOU START PLEASE THE READ INSTRUCTIONS CAREFULLY

- Check the pack and make sure you have all the parts listed in the parts list provided.
- When you are ready to start, make sure you have the right tools at hand (not supplied) including a Phillips screwdriver, Flathead screwdriver, Stanley knife, Wood saw, Step ladder, Hammer, Spirit level and a Drill with 2mm bit.
- Ensure there is plenty of space and a clean dry area for assembly.
- Ensure you have enough time to build the product to ensure the building is water tight.

TIMBER

As with all natural materials, timber can be affected during various weather conditions. For the duration of heavy or extended periods of rain, swelling of the wood panels may occur. Warping of the wood may also occur during excessive dry spells due natural processes. Unfortunately, these processes cannot be avoided but can be helped. It is suggested that the outdoor building is sprayed with water during extended periods of hot weather and sheltered as much as possible during rain or snow.

Our buildings are pre treated with a water based treatment**; this only helps to prevent discolouration whilst in stock. To validate your guarantee and ensure longevity of the product, it is ESSENTIAL the building is treated with a suitable preservative in accordance with the manufacturers recommendations. Care must be taken to ensure the product is placed on a suitable base.

We recommended using a suitable protection for your playhouse. As the product is destined for use by children, a water based treatment that is **EN71 tested** for children is ESSENTIAL.

We also recommend treating the building prior to construction.

POSITIONING YOUR PLAYHOUSE

When thinking about where the building and base is going to be constructed:
 Ensure that there will be access to all sides for maintenance work and annual treatment.

We recommend a **minimum space of 2m around a playhouse**, away from any structure or obstructions such as fences, garages, houses, overhanging branches, washing lines or electrical wires.

It is recommended that the position of the Playhouse, Slide and Swing is **not in direct sunlight**.

Activity toys such as swings and slides for towers shall not be installed over concrete, asphalt or any hard surface.

BUILDING A BASE

Ensure the base is level and is built on firm ground, to prevent distortion, checking with a spirit level. Refer to diagrams for the base dimensions. The base should be slightly smaller than the external measurement of the building, i.e. The cladding should overlap the base, creating a run off for water. It is also recommended that the floor be at least 25mm above the surrounding ground level to avoid flooding.

TYPES OF BASE

- Concrete 75mm laid on top of 75mm hard-core.
- Slabs laid on 50mm of sharp sand.
- Wooden base.



WARNING

- ONLY SUITABLE FOR DOMESTIC USE.
- TO BE USED UNDER DIRECT SUPERVISION OF AN ADULT.
- THIS PRODUCT SHOULD NOT BE MODIFIED IN ANY WAY. ANY MODIFICATIONS SHOULD BE DETERMINED BY THE MANUFACTURER AND CARRIED OUT ACCORDING TO THE INSTRUCTIONS.
- DO NOT ALLOW YOUR CHILD TO PLAY WITH ANY COMPONENT PARTS PRIOR TO ASSEMBLY.
- MAX AGE OF 14 YEARS.
- THIS TOY IS FOR OUTDOOR USE ONLY.
- USE A WATER BASED TREATMENT THAT IS EN71 TESTED

CAUTION

Wood is a natural product and can change post manufacture. So despite every effort being made to ensure the material used are cut and machined to a clean and smooth finish, care must be taken when handling the product and preparing for use by your child.

Any areas of concern, in the play areas, can be rubbed over with sandpaper to achieve a smoother finish. Alternatively, call the customer service department who will be happy to arrange replacement panels/parts.



All buildings should be erected by at least two adults.

DO NOT ALLOW CHILDREN TO ASSIST.



Winter = High Moisture = Expansion
 Summer = Low Moisture = Contraction



2mm Drill bit
 12mm CSK

To prevent damage during assembly, you **MUST** pilot drill all screw holes and **ensure all screw heads are countersunk.**



For ease of assembly, you will need a tape measure to check dimensions of components.

Whilst all products manufactured are made to the highest standards of Safety and in the case of childrens products independently tested to EN71, we cannot accept responsibility for your safety whilst erecting this product.

**Protim Aquatan T

Your building has been treated with **Aquatan**.

Aquatan is a water-based concentrate which is diluted with water, the building as been treated by the correct application of Aquatan solution and then allowed to dry.

Aquatan is a decorative finish to colour the wood, which is applied industrially to timber fence panels and garden buildings.

Aquatan undiluted contains: boric acid, sodium hydroxide 32% solution, aqueous mixture of sodium dioctyl sulphosuccinat and alcohols: 2, 4, 6-trichlorophenol.

**In all instances for assistance with your product, please contact customer care on :
 01636 880514 or customerservice@merciagp.co.uk**

**Mercia Garden Products Limited,
 Sutton On Trent,
 Newark,
 Nottinghamshire,
 NG23 6QN**



Look for the symbols and follow the safety guidelines below.



1! Ensure screw heads are subflush and sand down any splinters created.



2! Ensure the screws are fixed squarely and do not protrude.



3! 12mm gap surrounding the door.



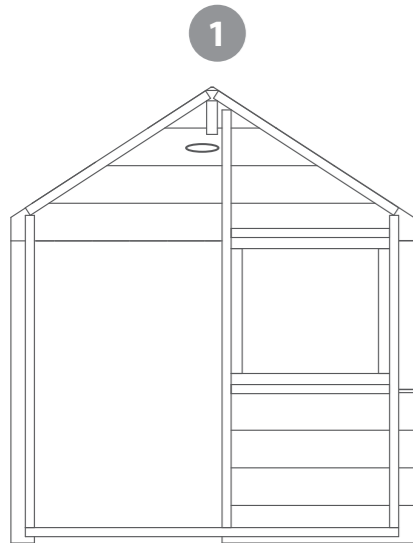
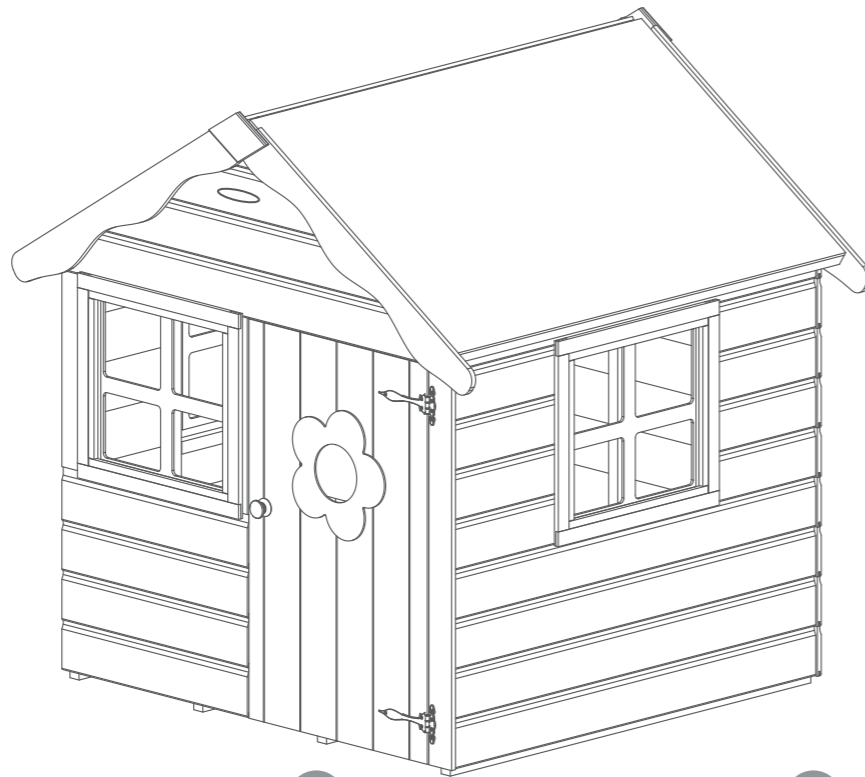
50kg per user

Overall Dimensions:

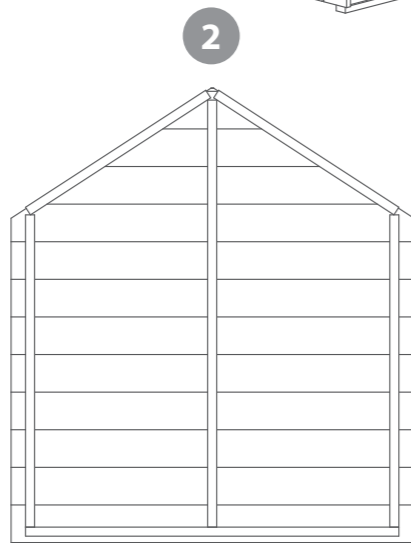
Width = 1416mm
Depth = 1253mm
Height = 1398mm

Base Dimensions:

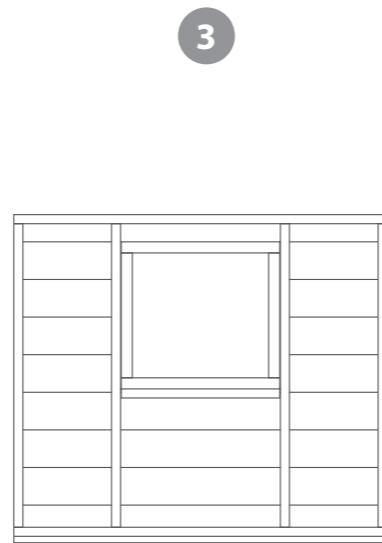
Width = 1171mm
Depth = 1110mm



Door Gable
AI-02CHY0404-V4DG



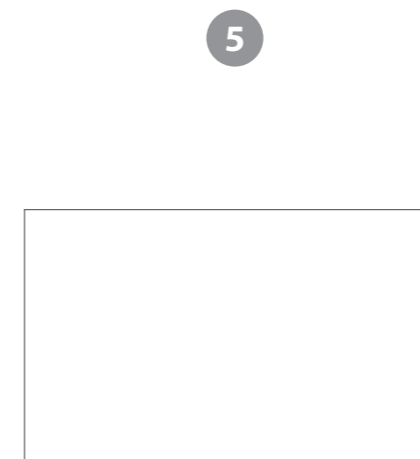
Plain Gable
AI-02CHY0404-V4PG



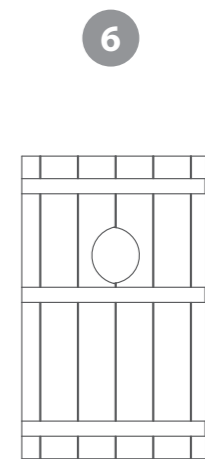
QTY x2
Window Side
AI-02CHY0404-V4WS



Floor Sheet
PI-03-0002



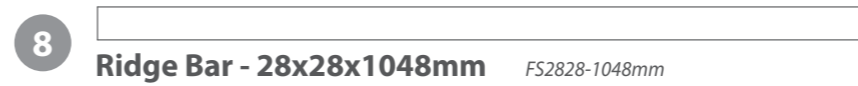
Roof Sheet
PI-03-0004
QTY x2



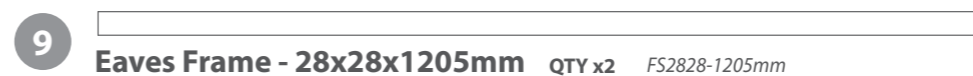
Door
AI-02CHY0404-V4D



Window
AI-02PHOW-V1
QTY x3



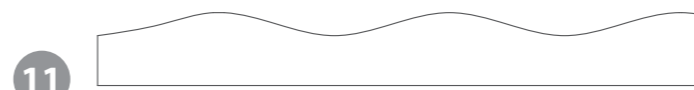
Ridge Bar - 28x28x1048mm FS2828-1048mm



Eaves Frame - 28x28x1205mm QTY x2 FS2828-1205mm



Floor Joist - 28x28x1110mm QTY x4 FS2828-1110mm



Fascia - 95x12x800mm QTY x4 FAS800



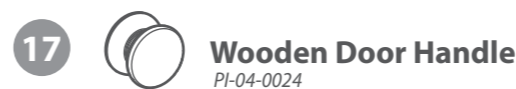
Fascia Block - 28x28x200mm F2828-240mm (ANGLED)



Finial QTY x2
SHED DIAMOND FINIAL



Door Flower
PI-04-0016



Wooden Door Handle
PI-04-0024



Hinge QTY x2
PI-07-0113



Door Styrene
PI-05-0014



Window Cross QTY x3
PI-04-0013











Corner Brace QTY x2
PI-07-0012



Window Block QTY x6
PI-07-0011

DO NOT ALLOW YOUR CHILD TO PLAY WITH ANY COMPONENT PARTS PRIOR TO ASSEMBLY.

Nail Bag

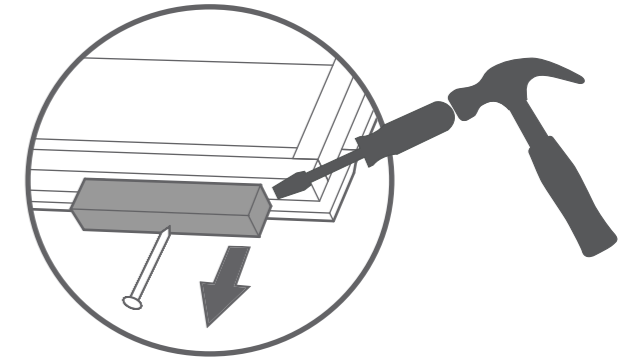
-  Felt Tacks x 60
-  10mm Screw x 4
-  20mm Screw x 14
-  30mm Screw x 56
-  30mm Black Screw x 14
-  40mm Screw x 34
-  50mm Screw x 28
-  60mm Screw x 2

Pre Assembly

Before assembling remove the transportation blocks from the bottom of each panel.

Take care removing the blocks as to not damage the panels. Tap with a flat headed screwdriver and hammer.

Dispose of the blocks once removed.



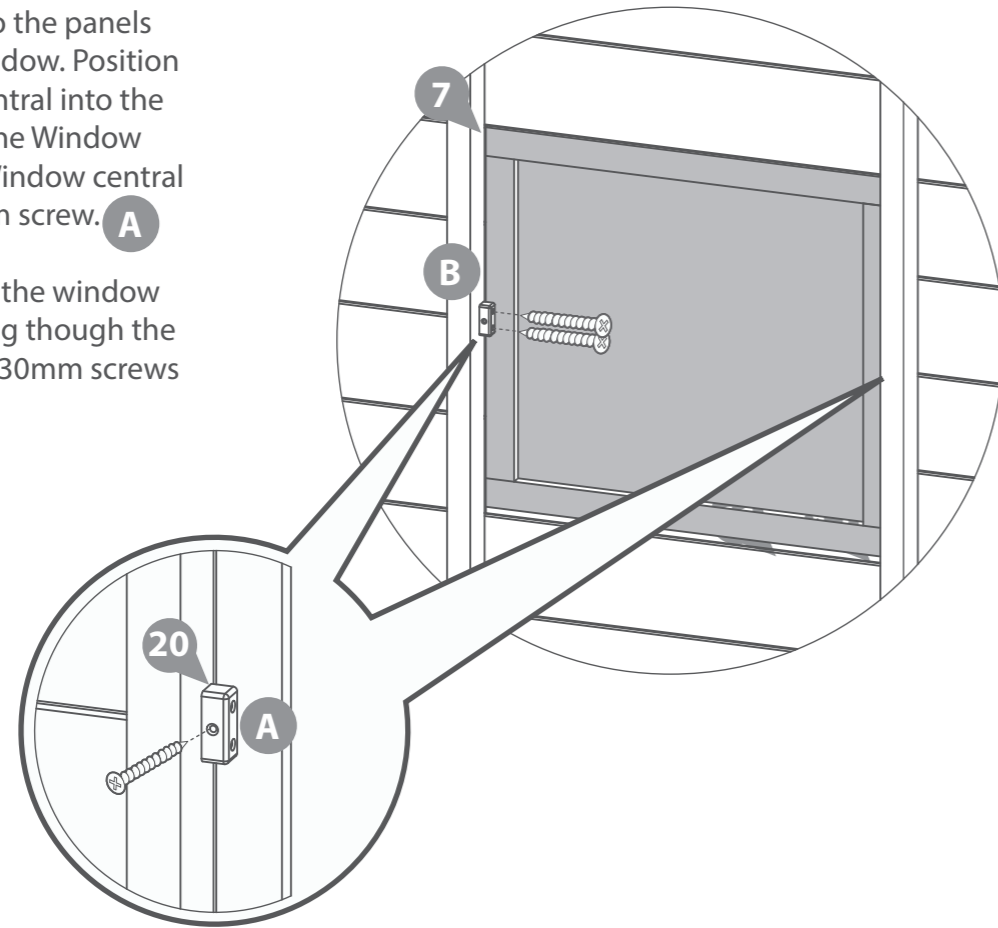
Step 1
Parts needed - 7 x3 & 20 x6



To fix the Windows into the panels that accommodate a window. Position the Window (No. 7) central into the window opening. Fix the Window Block (No. 20) to the Window central as shown with 1x30mm screw. **A**

Place the Window into the window hole and fix by screwing through the Window Block with 2x30mm screws as shown. **B**

18x30mm screws.



Step 2
Parts needed- 1 & 6 & 19 x2



Place the Door Panel within the Door Gable (No. 1) on a flat level surface and place the Door (No. 6) into the door opening.

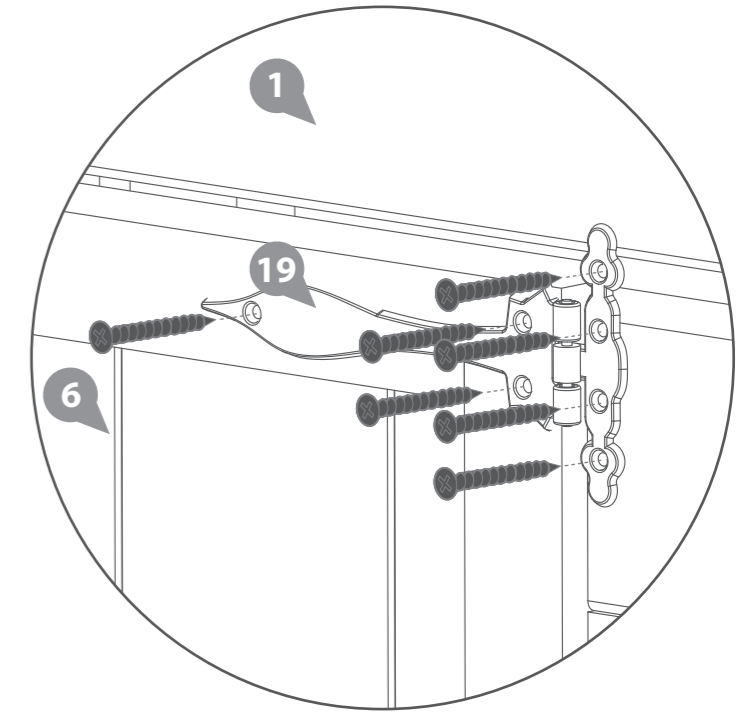
It is important that the door is placed central in the space provided with a 12mm gap around the edge. Use a 12mm strip to help keep the gap correct.

Fix the Hinges x2 (No. 19) to the door framing with 3x30mm black screws.

The door can be hung from either side to suit your needs.

Fix the Hinges to the Door panel using 4x30mm black screws.

14x30mm black screws.



Step 3
Parts needed - 4 & 10 x4

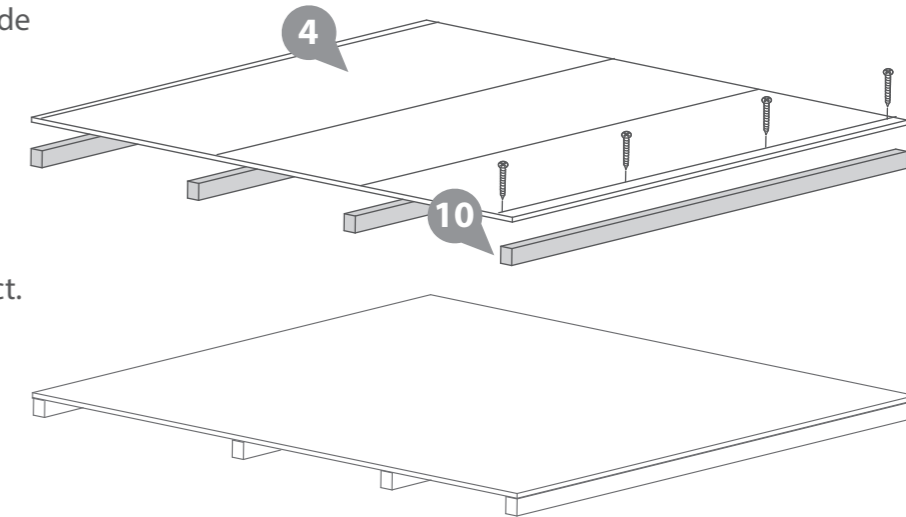


Lay the Floor Joists (No. 10) under the Floor Sheet (No. 4) with an even space between each one. Position the joists flush on one side of the floor sheet and mark the centers of joists onto either end. Fix using 4 x30mm screws per joist.

Place the floor on your firm and level base, ensuring base has suitable drainage free from areas where standing water can collect.

If purchased with a tower please read both sets of instructions before beginning assembly.

16x30mm screws.



DO NOT ALLOW YOUR CHILD TO PLAY WITH ANY COMPONENT PARTS PRIOR TO ASSEMBLY.

Step 4
Parts needed - 2 & 3



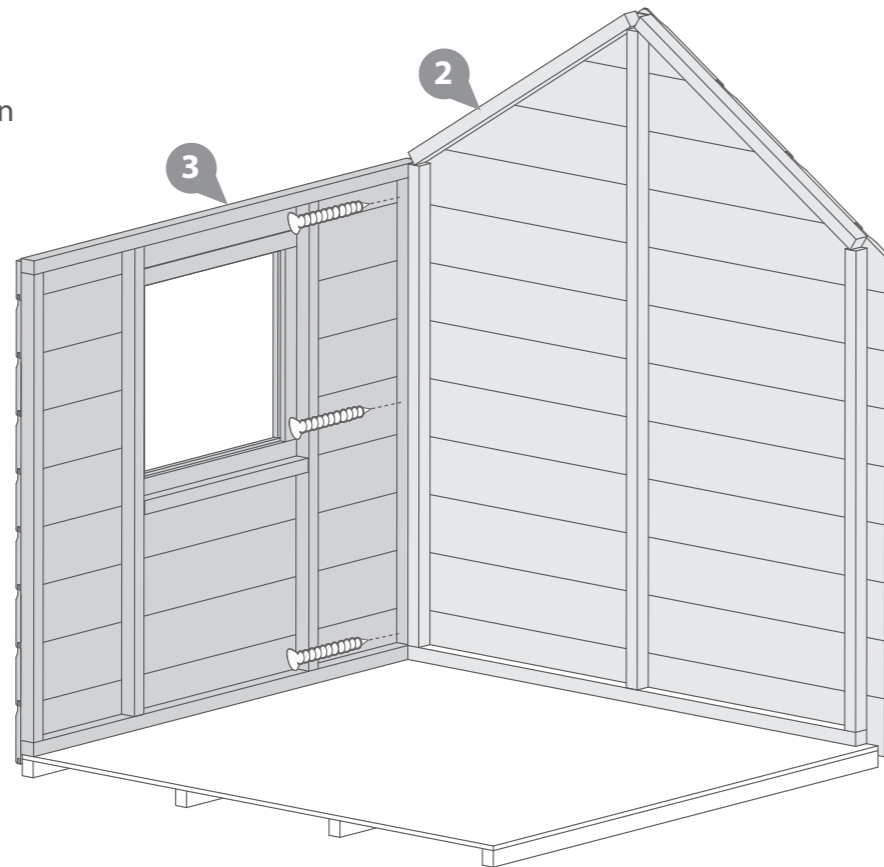
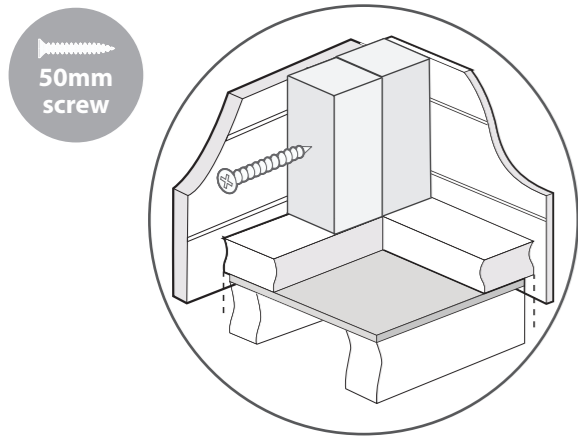
Attach the Plain Gable (No. 2) to a Window Side (No. 3).

Fix the corners with 3x50mm screws as shown in the diagram.

Do not secure the building to the floor until after the roof has been fitted.

Position the panels so there are equal gaps between the floor and cladding.

3x50mm screws.



Step 5
Parts needed - 1 & 3

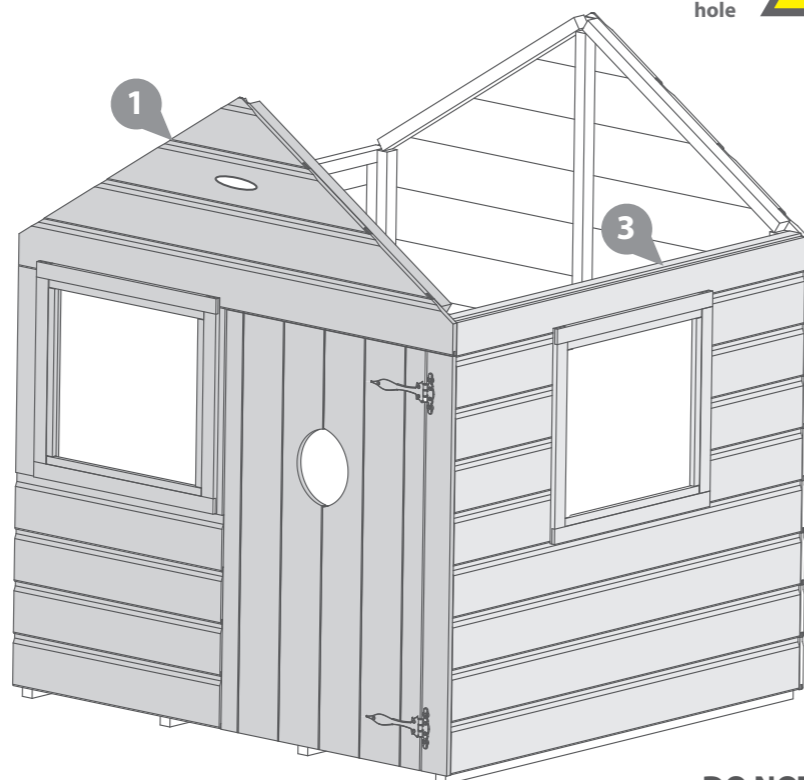


Attach the Door Gable (No. 1) to the remaining Window Side (No. 3) with 6x50mm screws.

Position the panels so there are equal gaps between the floor and cladding. Fix the corners with 3 x 50mm screws as in the diagram.

Do not secure the building to the floor until after the roof has been fitted.

9x50mm screws.



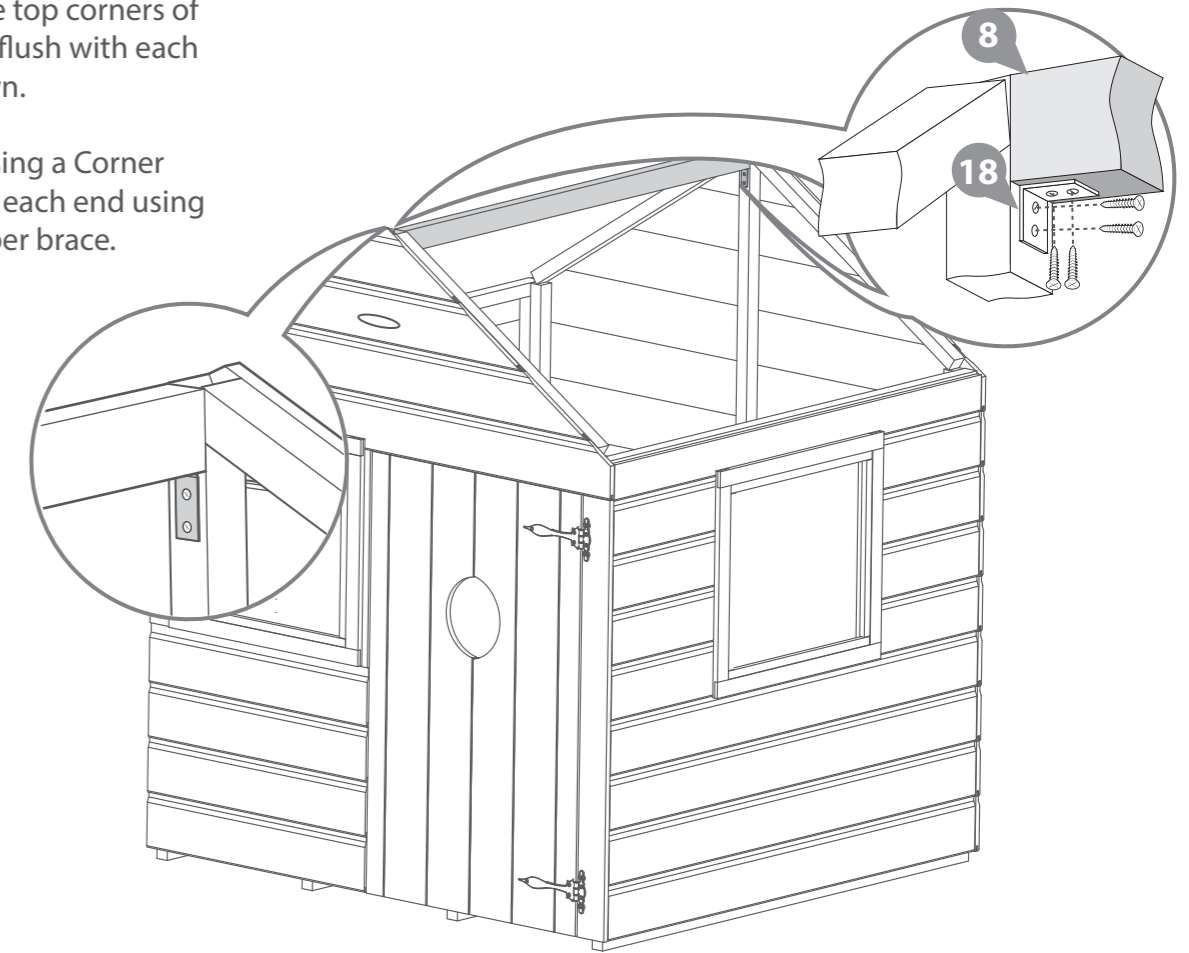
Step 6
Parts needed - 8 & 18 x2



Place the Ridge Bar (No. 8) in between the front and back panels. Ensure the top corners of the Ridge Bar are flush with each top point as shown.

Secure in place using a Corner Brace (No. 18) on each end using 4x30mm screws per brace.

8x30mm screws.



DO NOT ALLOW YOUR CHILD TO PLAY WITH ANY COMPONENT PARTS PRIOR TO ASSEMBLY.

Step 7

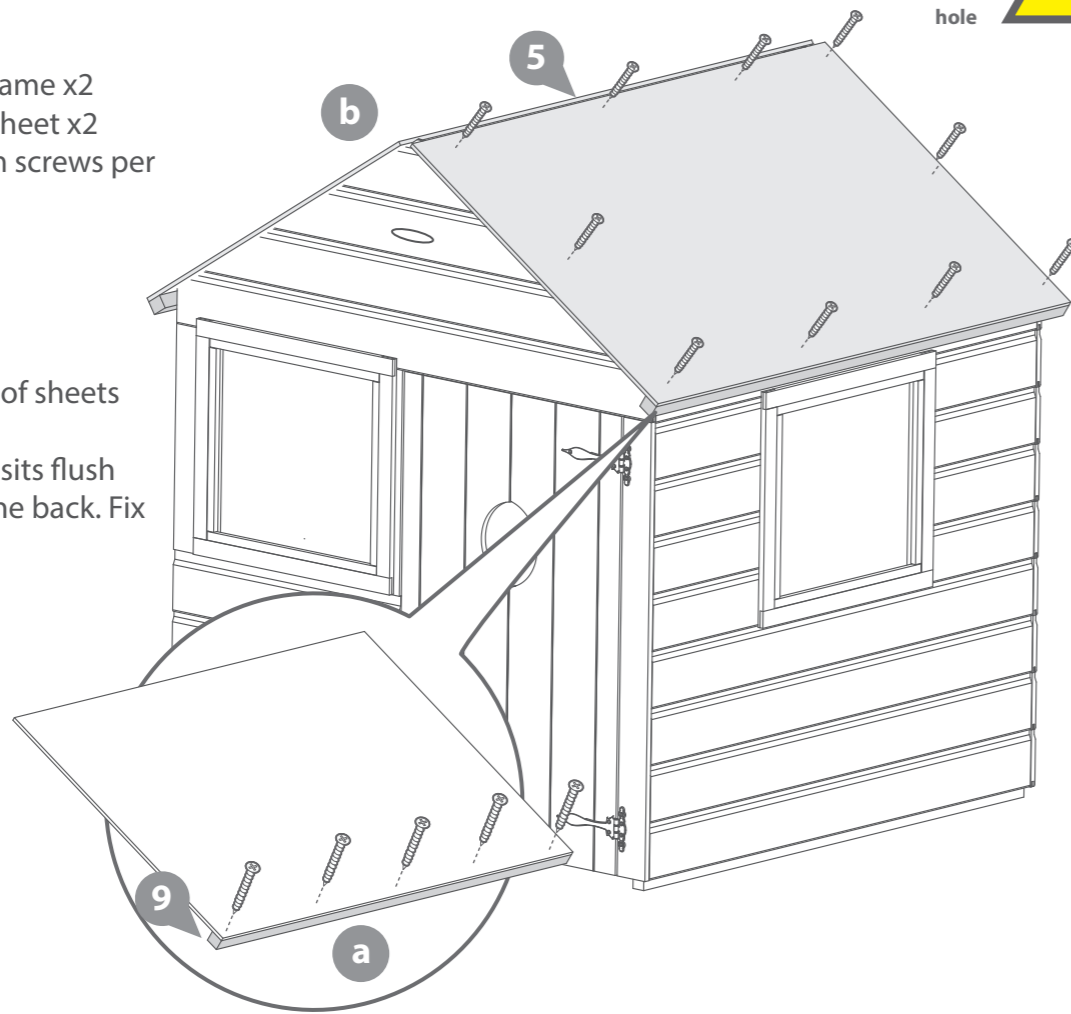
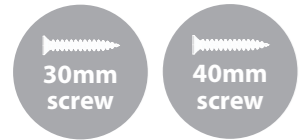
Parts needed - **5** x2 & **9** x2

a Fix an Eaves Frame x2 (No. 9) to each Roof Sheet x2 (No. 5) using 5x30mm screws per eave.

10x30mm screws.

b Position the roof sheets on the building. Ensure the roof sheet sits flush with the building at the back. Fix using 10x40mm screws per sheet.

20x40mm screws.

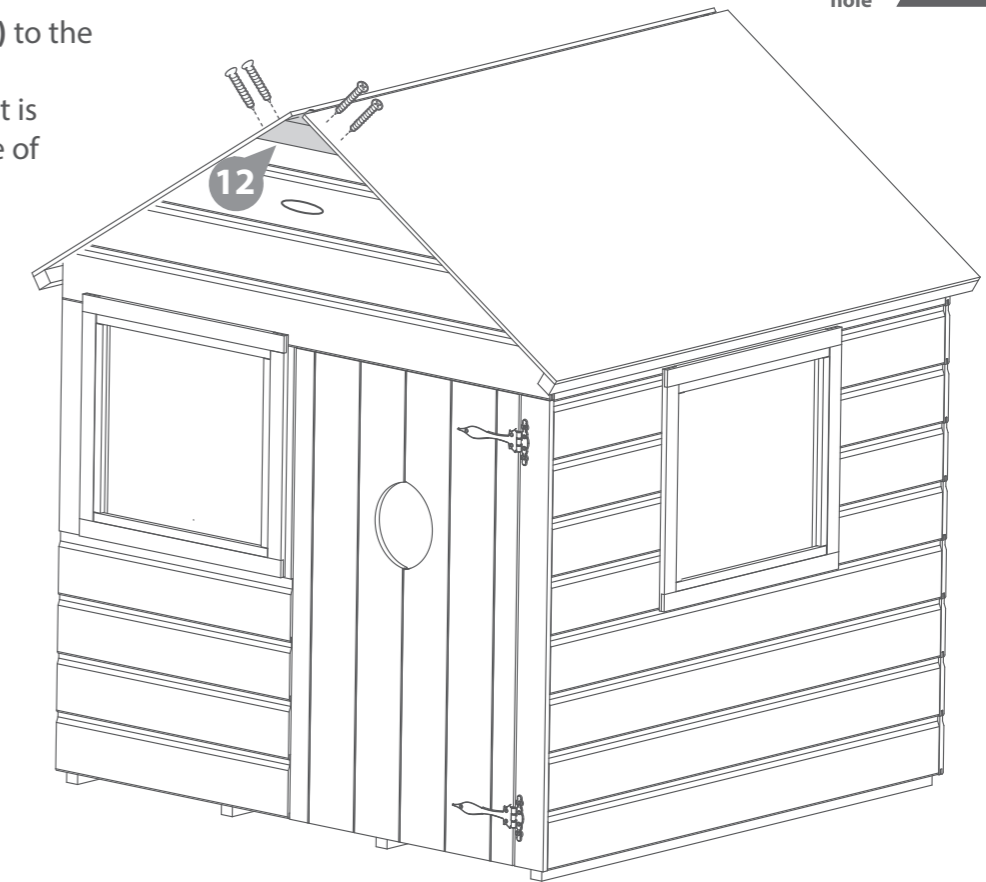


Step 9

Parts needed - **12**

Fit the Fascia Block (No. 12) to the front of the building using 4x30mm screws, ensuring it is flush with the outside edge of each roof sheet.

4x30mm screws.

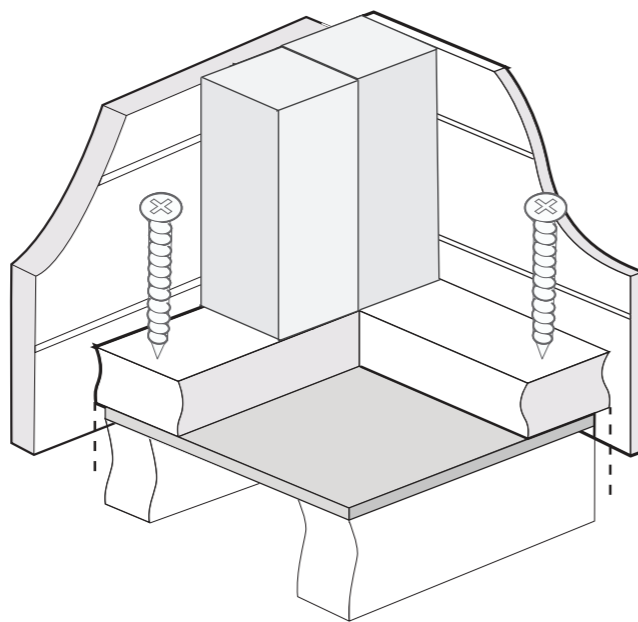


Step 8

Position the building square between the floor and cladding.

Fix the building to the floor using 50mm screws as shown in the illustration. Use 3x50mm screws per panel, making sure to screw into the floor.

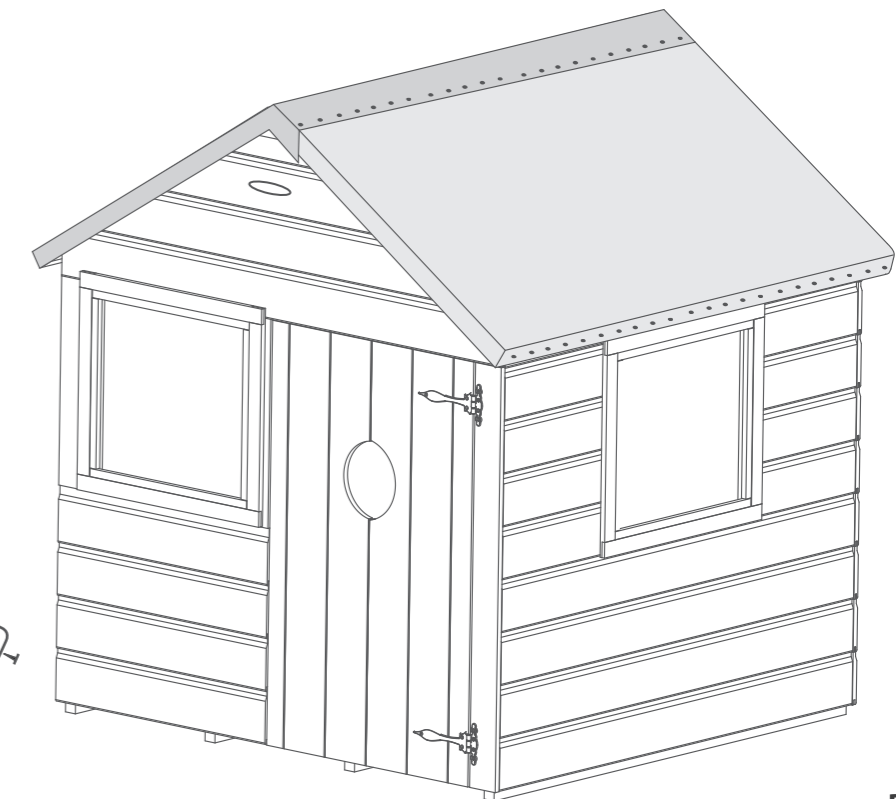
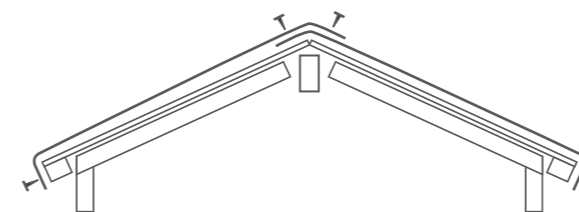
12x50mm screws.



Step 10

Cut the Felt into 2 sheets of 1353mm length and lay onto the roof as shown in the diagram ensuring there is a 50mm overhang around the sides.

60x Felt tacks



DO NOT ALLOW YOUR CHILD TO PLAY WITH ANY COMPONENT PARTS PRIOR TO ASSEMBLY.

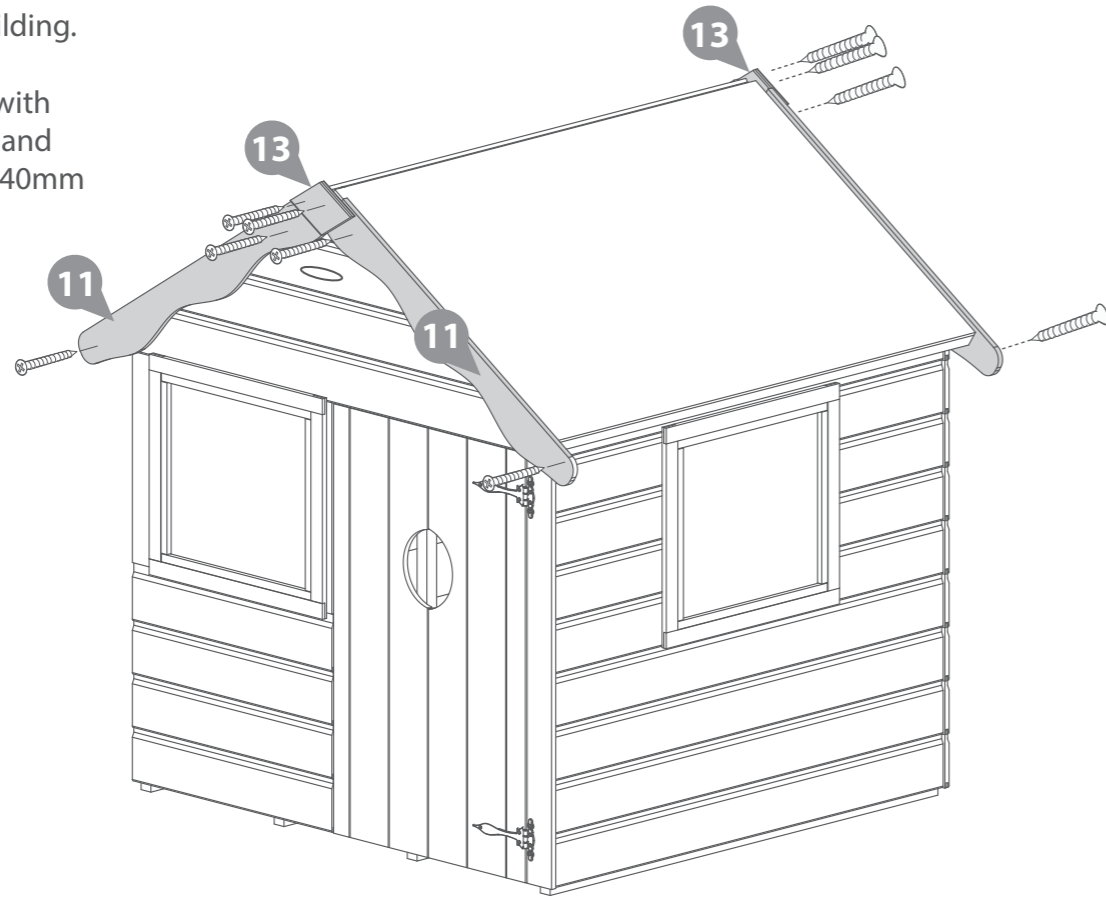
Step 11

Parts needed - **11** x4 & **13** x2

Ensure to trap the felt between the fascia and building.

Fix the Fascias x4 (**No. 11**) with 2x40mm screws per Fascia and Finials x2 (**No. 13**) using 2x40mm screws per Finial.

12x40mm screws.



Step 12

Parts needed - **14** & **15** & **16** & **17**

a Place a Window Cross (**No. 16**) against the inside of each window. Position the frame centrally to the window and fix using 4x20mm screws per frame.

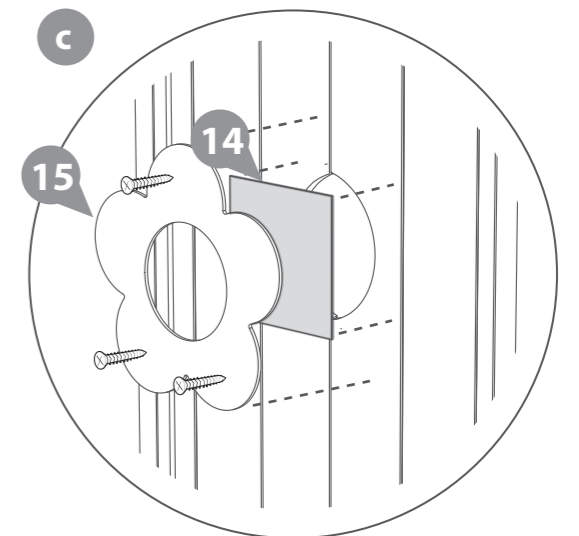
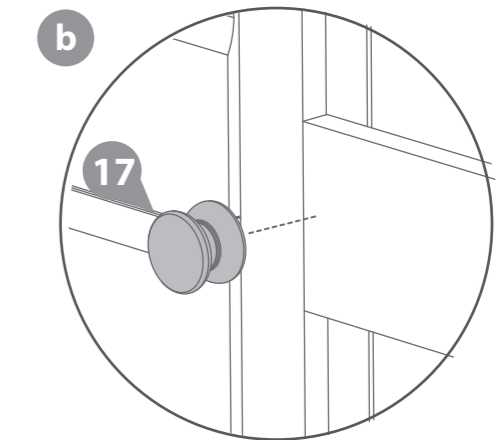
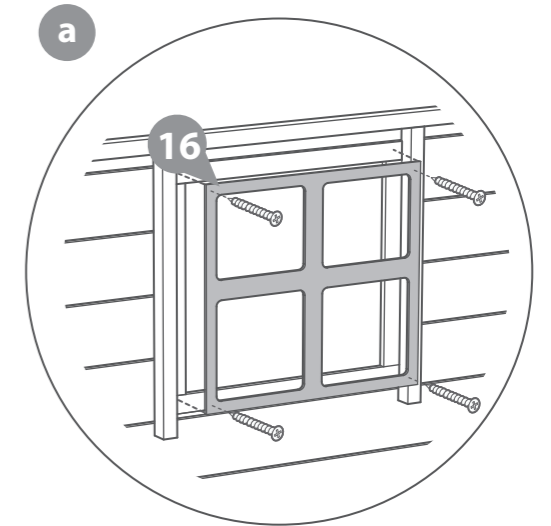
12x20mm screws

b Place the Wooden Door Handle (**No. 17**) on the outside of door and use a 60mm screw from the inside to secure. Pre drill hole first to avoid splitting.

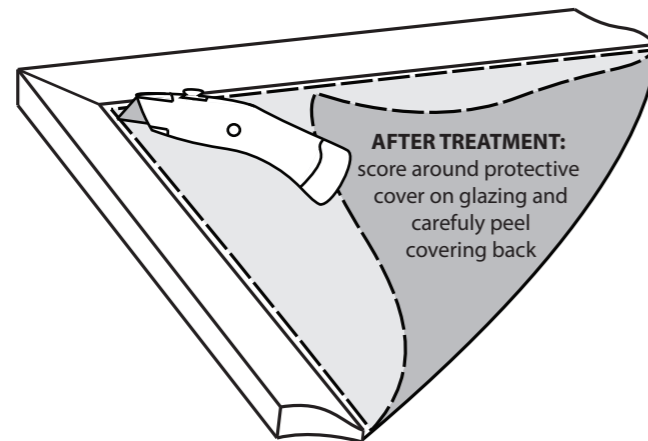
1x60mm screws

c Sandwich the Door Styrene (**No. 14**) between the door cut out and Door Flower (**No. 15**), then fix using 3x10mm screws. Ensure the glazing covers the cut out and the screws do not crack the glazing.

3x10mm screws



DO NOT ALLOW YOUR CHILD TO PLAY WITH ANY COMPONENT PARTS PRIOR TO ASSEMBLY.



Playhouse Maintenance:

It is recommended that the following checks and maintenance are carried out at the beginning of each season as well as at regular intervals during the usage season.

- Check all nuts /bolts/ screws for tightness and tighten when required.
- Check for movement / opening of wood giving rise to protrusion of nail heads and tips.
- Check hinges.
- Replace defective parts in accordance with the manufacturers instructions.
- Check any crossbeams, suspensions and anchors.
- If a swing is included; check the swing seat, chains and ropes.

IF THESE CHECKS ARE NOT CARRIED OUT THE ACTIVITY TOY COULD BECOME A HAZARD

DO NOT ALLOW YOUR CHILD TO PLAY WITH ANY COMPONENT PARTS PRIOR TO ASSEMBLY.

02CHYTWV-V3-PEFC
Cherry Tower



WARNING: Only for domestic use
Not suitable for children under 36 months due to small parts and danger of falling from heights.
To be used under direct supervision of an adult



BEFORE YOU START PLEASE THE READ INSTRUCTIONS CAREFULLY

- Check the pack and make sure you have all the parts listed in the parts list provided.
- When you are ready to start, make sure you have the right tools at hand (not supplied) including a Phillips screwdriver, Flathead screwdriver, Stanley knife, Wood saw, Step ladder, Hammer, Spirit level and a Drill with 2mm bit.
- Ensure there is plenty of space and a clean dry area for assembly.
- Ensure you have enough time to build the product to ensure the building is water tight.

TIMBER

As with all natural materials, timber can be affected during various weather conditions. For the duration of heavy or extended periods of rain, swelling of the wood panels may occur. Warping of the wood may also occur during excessive dry spells due natural processes. Unfortunately, these processes cannot be avoided but can be helped. It is suggested that the outdoor building is sprayed with water during extended periods of hot weather and sheltered as much as possible during rain or snow.

Our buildings are pre treated with a water based treatment**; this only helps to prevent discolouration whilst in stock. To validate your guarantee and ensure longevity of the product, it is ESSENTIAL the building is treated with a suitable preservative in accordance with the manufacturers recommendations. Care must be taken to ensure the product is placed on a suitable base.

We recommended using a suitable protection for your playhouse. As the product is destined for use by children, a water based treatment that is EN71 tested for children is ESSENTIAL.

We also recommend treating the building prior to construction.

POSITIONING YOUR PLAYHOUSE

When thinking about where the building and base is going to be constructed:
Ensure that there will be access to all sides for maintenance work and annual treatment.

We recommend a minimum space of 2m around a playhouse , away from any structure or obstructions such as fences, garages, houses, overhanging branches, washing lines or electrical wires.

It is recommended that the position of the Playhouse, Slide and Swing is not in direct sunlight.

Activity toys such as swings and slides for towers shall not be installed over concrete, asphalt or any hard surface.

BUILDING A BASE

Ensure the base is level and is built on firm ground, to prevent distortion, checking with a spirit level. Refer to diagrams for the base dimensions. The base should be slightly smaller than the external measurement of the building, i.e. The cladding should overlap the base, creating a run off for water. It is also recommended that the floor be at least 25mm above the surrounding ground level to avoid flooding.

TYPES OF BASE

- Concrete 75mm laid on top of 75mm hard-core.
- Slabs laid on 50mm of sharp sand.
- Wooden base.



WARNING

- ONLY SUITABLE FOR DOMESTIC USE.
- TO BE USED UNDER DIRECT SUPERVISION OF AN ADULT.
- THIS PRODUCT SHOULD NOT BE MODIFIED IN ANY WAY. ANY MODIFICATIONS SHOULD BE DETERMINED BY THE MANUFACTURER AND CARRIED OUT ACCORDING TO THE INSTRUCTIONS.
- DO NOT ALLOW YOUR CHILD TO PLAY WITH ANY COMPONENT PARTS PRIOR TO ASSEMBLY.
- MAX AGE OF 14 YEARS.
- THIS TOY IS FOR OUTDOOR USE ONLY.
- USE A WATER BASED TREATMENT THAT IS EN71 TESTED

CAUTION

Wood is a natural product and can change post manufacture. So despite every effort being made to ensure the material used are cut and machined to a clean and smooth finish, care must be taken when handling the product and preparing for use by your child.

Any areas of concern, in the play areas, can be rubbed over with sandpaper to achieve a smoother finish. Alternatively, call the customer service department who will be happy to arrange replacement panels/parts.



All buildings should be erected by at least two adults.
DO NOT ALLOW CHILDREN TO ASSIST.



Winter = High Moisture = Expansion
Summer = Low Moisture = Contraction



2mm Drill bit
12mm CSK

To prevent damage during assembly, you MUST pilot drill all screw holes and ensure all screw heads are countersunk .



For ease of assembly, you will need a tape measure to check dimensions of components.

Whilst all products manufactured are made to the highest standards of Safety and in the case of childrens products independently tested to EN71, we cannot accept responsibility for your safety whilst erecting this product.

**Protim Aquatan T

Your building has been treated with Aquatan .

Aquatan is a water-based concentrate which is diluted with water, the building as been treated by the correct application of Aquatan solution and then allowed to dry.

Aquatan is a decorative finish to colour the wood, which is applied industrially to timber fence panels and garden buildings.

Aquatan undiluted contains: boric acid, sodium hydroxide 32% solution, aqueous mixture of sodium dioctyl sulphosuccinat and alcohols: 2, 4, 6-trichlorophenol.

In all instances for assistance with your product, please contact customer care on :
01636 880514 or customerservice@merciagp.co.uk

Mercia Garden Products Limited,
Sutton On Trent,
Newark,
Nottinghamshire,
NG23 6QN



Look for the symbols and follow the safety guidelines below.



Ensure screw heads are subflush and sand down any splinters created.



Ensure the screws are fixed squarely and do not protrude.



12mm gap surrounding the door.



Not to be installed over concrete, asphalt or any hard surface.



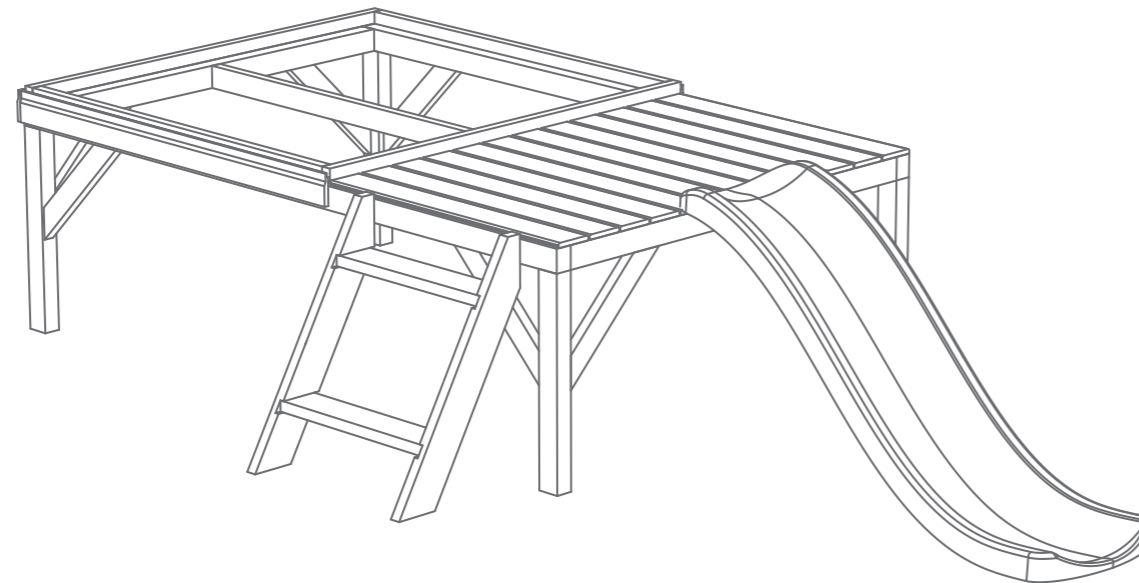
50kg per user

This tower can only be used with the following playhouses:
02PLM0404-V2-PEFC (Plum)
02CHY0404-V5-PEFC (Cherry)

Overall Dimensions:
Width = 1205mm
Depth = 1870mm
Height = 593mm

Base Dimensions:
Width = 1176mm
Depth = 1870mm

* Measurements do not include slide & ladder *



3 Framing - 44x58x1870mm QTY x2 F4458-1870mm

4 Framing - 44x58x1088mm QTY x3 F4458-1088mm

5 Framing - 27x58x1044mm F2758-1044mm

6 Leg Post - 44x58x523mm QTY x4 F4458-523mm

7 Leg Brace - 27x58x400mm QTY x8 F2758-440mm ANGLED

8 Floor Framing - 28x28x1170mm QTY x2 FS2828-1170mm

9 Floor Framing - 28x28x1057mm QTY x2 FS2828-1057mm

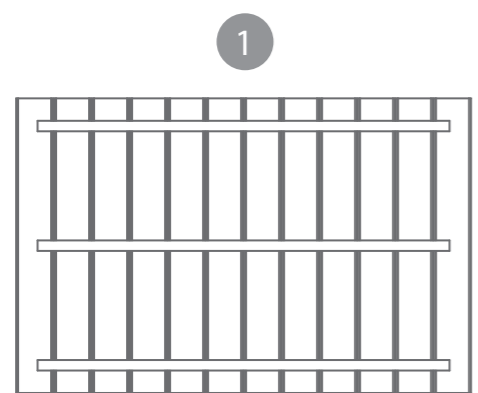
10 Shiplap Board - 1200mm WBRT80-1200mm

11 Shiplap Board - 1112mm QTY x2 WBRT80-1112mm

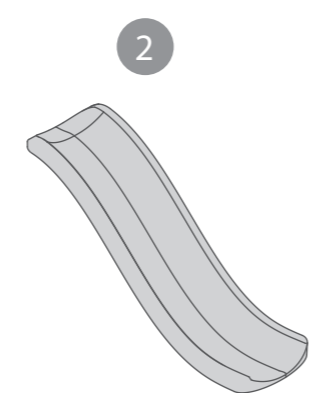
12 Ladder Side Left - 650mm pro2795-650mm

13 Ladder Side Right - 650mm pro2795-650mm

14 Ladder Step - 27x95x476mm QTY x2 pro2758-476mm



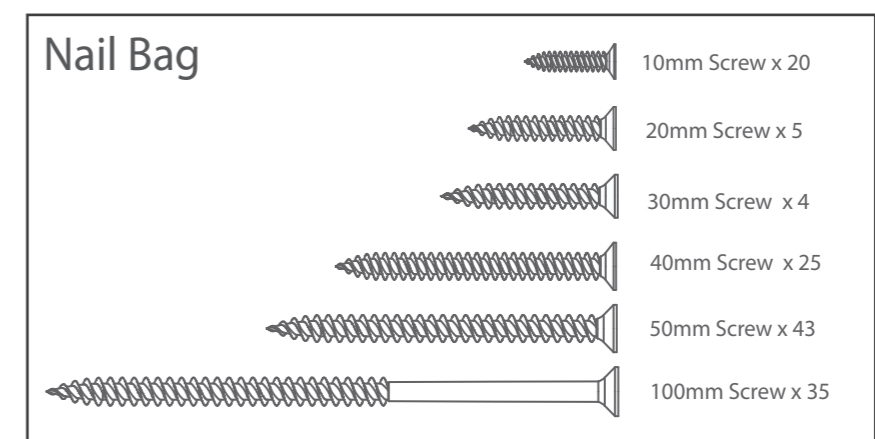
1 Bunk Floor AI-02CHYTWR-V2BF



2 Slide PI-10-0005



DO NOT ALLOW YOUR CHILD TO PLAY WITH ANY COMPONENT PARTS PRIOR TO ASSEMBLY.

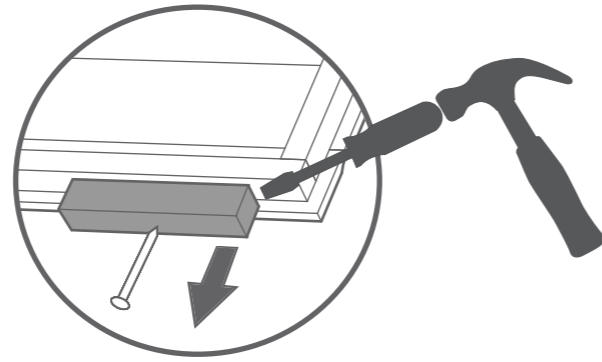


Pre Assembly

Before assembling remove the transportation blocks from the bottom of each panel.

Take care removing the blocks as to not damage the panels. Tap with a flat headed screwdriver and hammer.

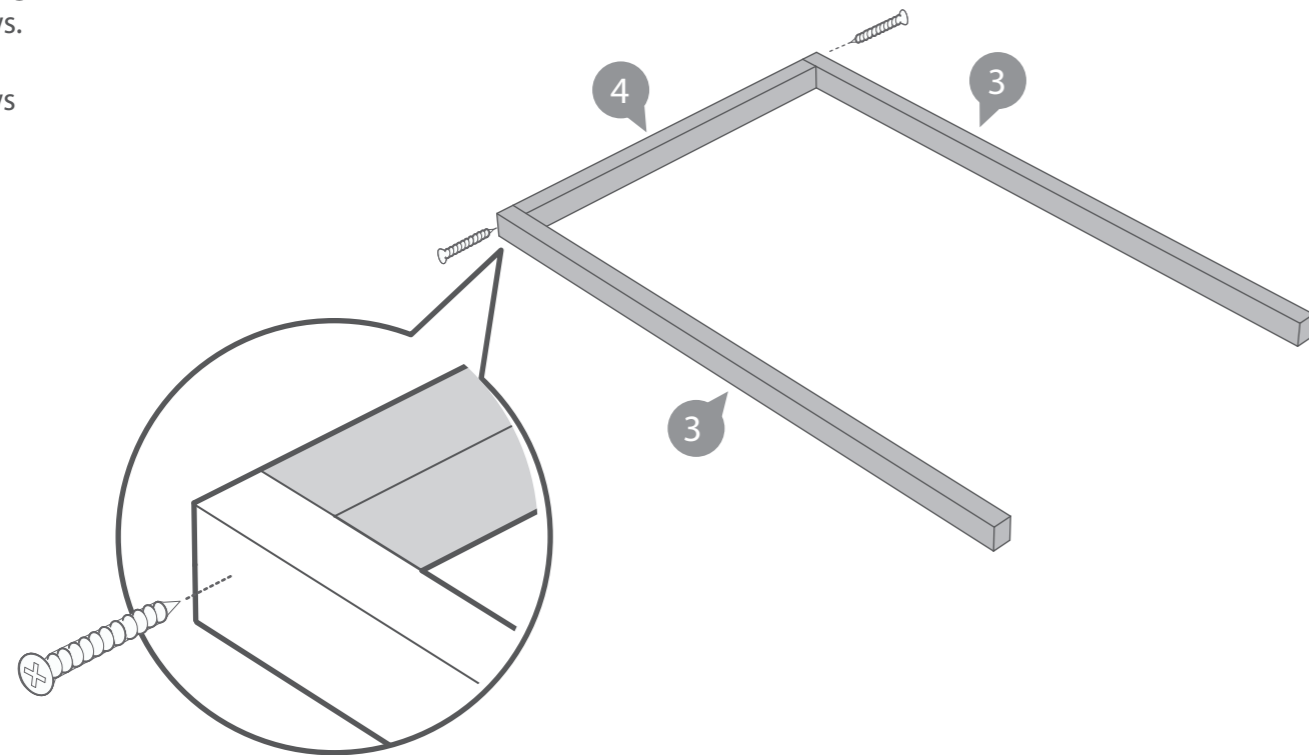
Dispose of the blocks once removed.



Step 1
Parts needed - 3 x2 & 4

Place the Framing 1870mm (No. 3) and Framing 1088mm (No. 4) as shown. Fix the together with 2x100mm screws.

2x100mm screws

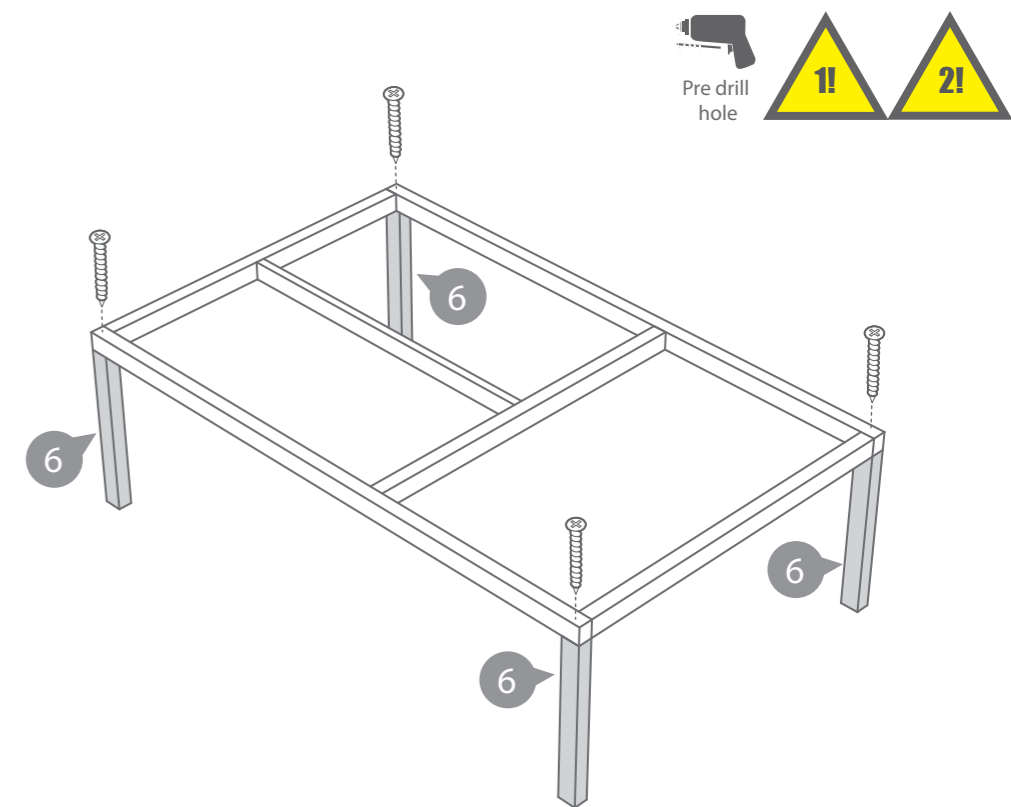
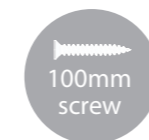


Step 3
Parts needed - 6 x4

Lift the assembled frame up and position the leg posts (No. 6) as shown.

Fix the leg posts to the frame with 4x100mm screws.

4x100mm screws



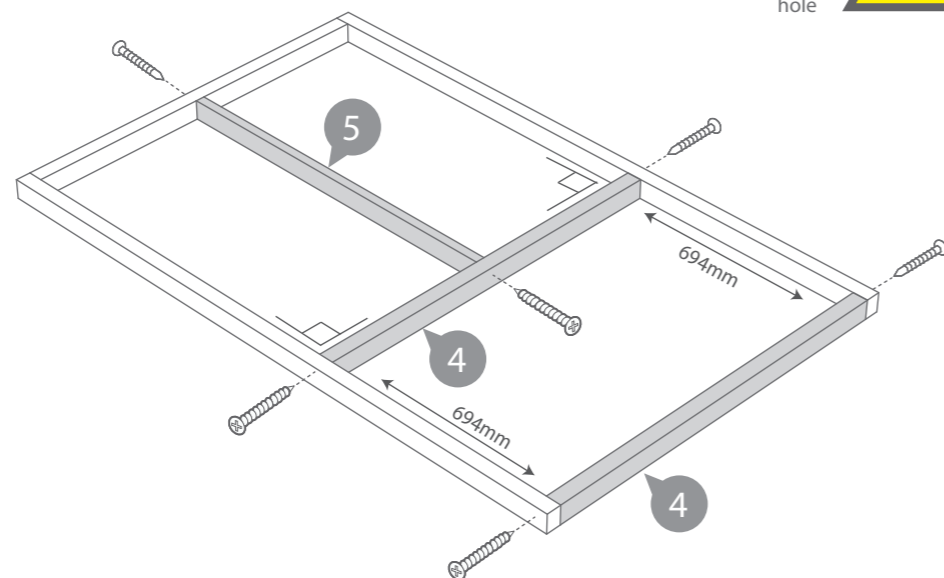
Step 2
Parts needed - 4 x2 & 5

Place the Framing 1088mm (No. 4) and Framing 1044mm (No. 5) inside the frame.

Make sure No. 5 is positioned in the centre and use it as a guide for positioning the No. 4 in the middle.

Fix together as shown with 2x100mm screws.

2x100mm screws

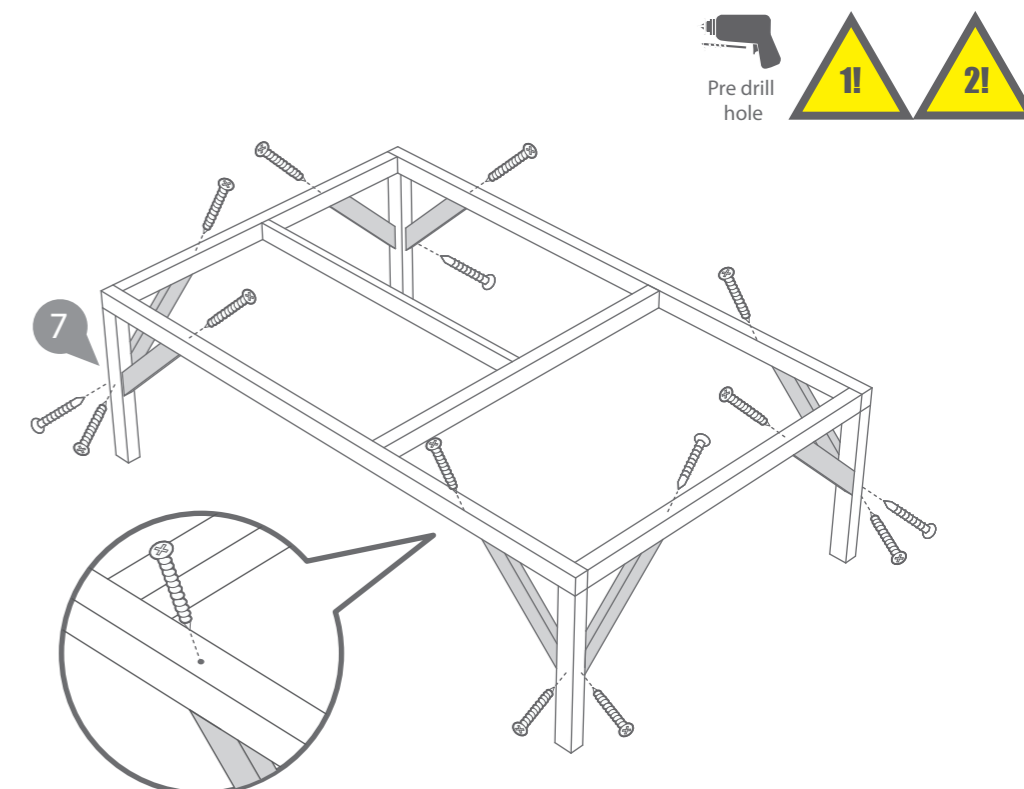
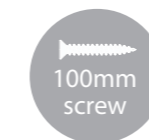


Step 4
Parts needed - 7 x8

Fix the Leg Braces (No. 7) to either side of each leg post using 16x100mm screws as shown.

Ensure the framing is level so that the corners and legs are square.

16x100mm screws



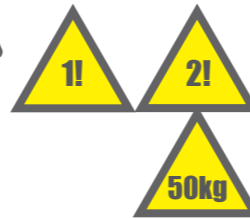
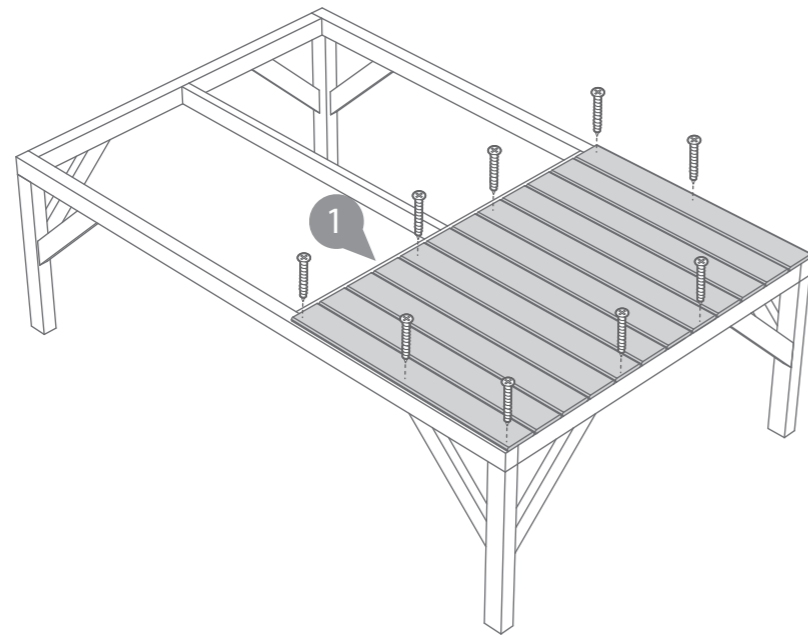
DO NOT ALLOW YOUR CHILD TO PLAY WITH ANY COMPONENT PARTS PRIOR TO ASSEMBLY.

Step 5

Parts needed - 1

Place the Bunk Floor (No. 1) on top and fix into position using 10x40mm screws.

10x40mm screws



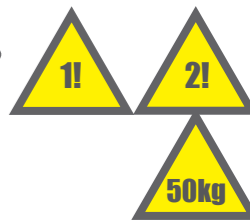
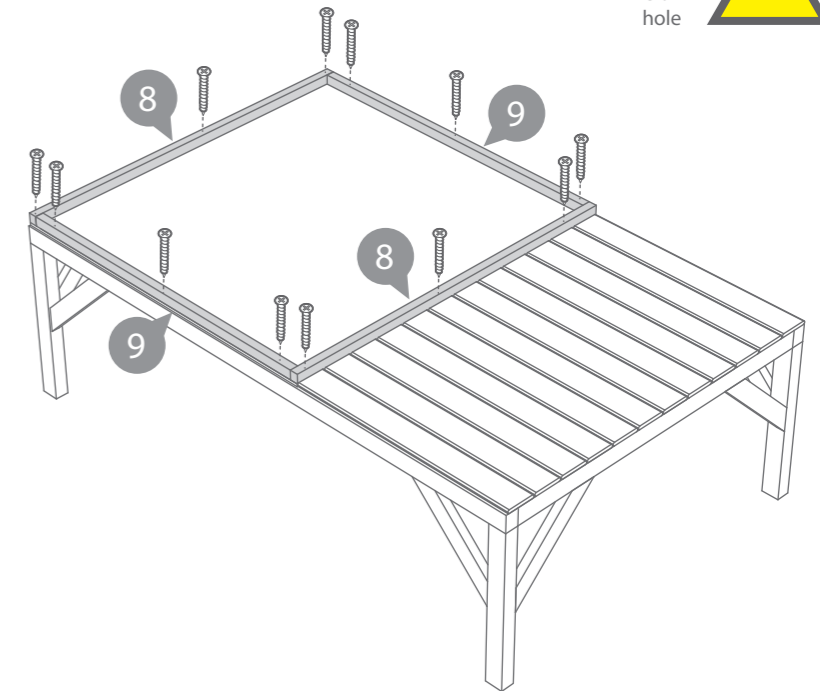
Step 7

Parts needed - 8 x2 & 9 x2

Place the Floor Framing (No. 8 & No. 9) on top of the floor sheet around the edge as shown.

Fix each piece into place with 3x50mm screws per Floor Framing (No. 8 & No. 9).

12x50mm screws



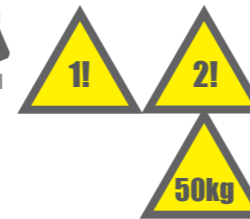
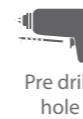
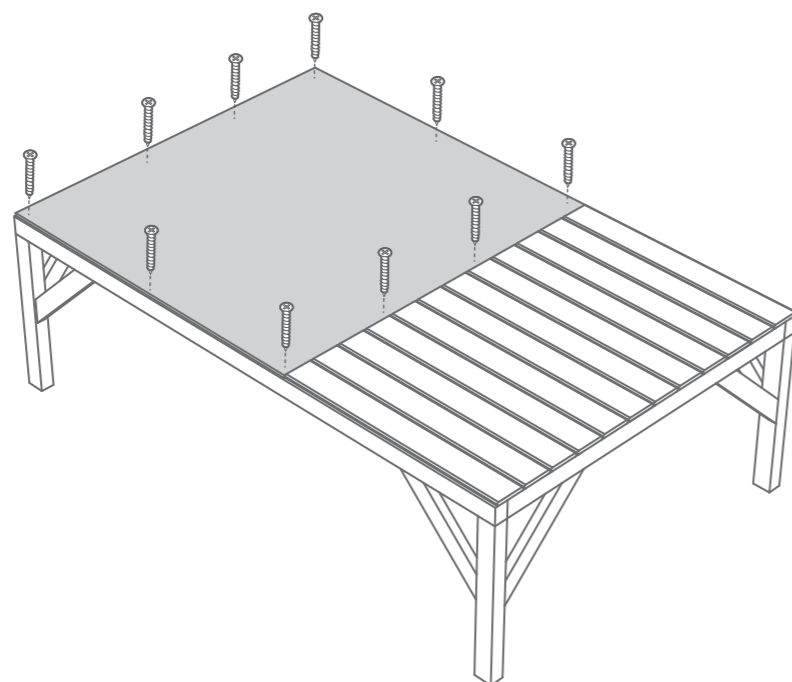
Step 6

Parts needed - Refer to playhouse

Take out the solid floor sheet that is supplied with the playhouse.

Place the floor sheet on top of the platform and secure into position using the 10x30mm screws.

10x30mm screws



DO NOT ALLOW YOUR CHILD TO PLAY WITH ANY COMPONENT PARTS PRIOR TO ASSEMBLY.

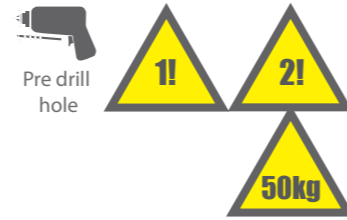
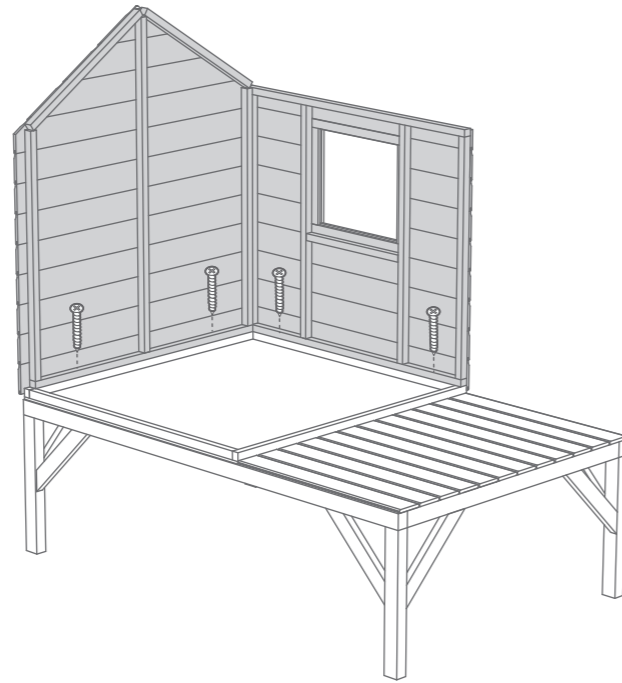
Step 8

The playhouse can now be assembled on to the framing. Follow the instructions provided with the playhouse to do this.

Disregard the floor joists as these are not needed when fitting to the platform.

Secure the playhouse to the framing with 8x50mm screws.

8x50mm screws



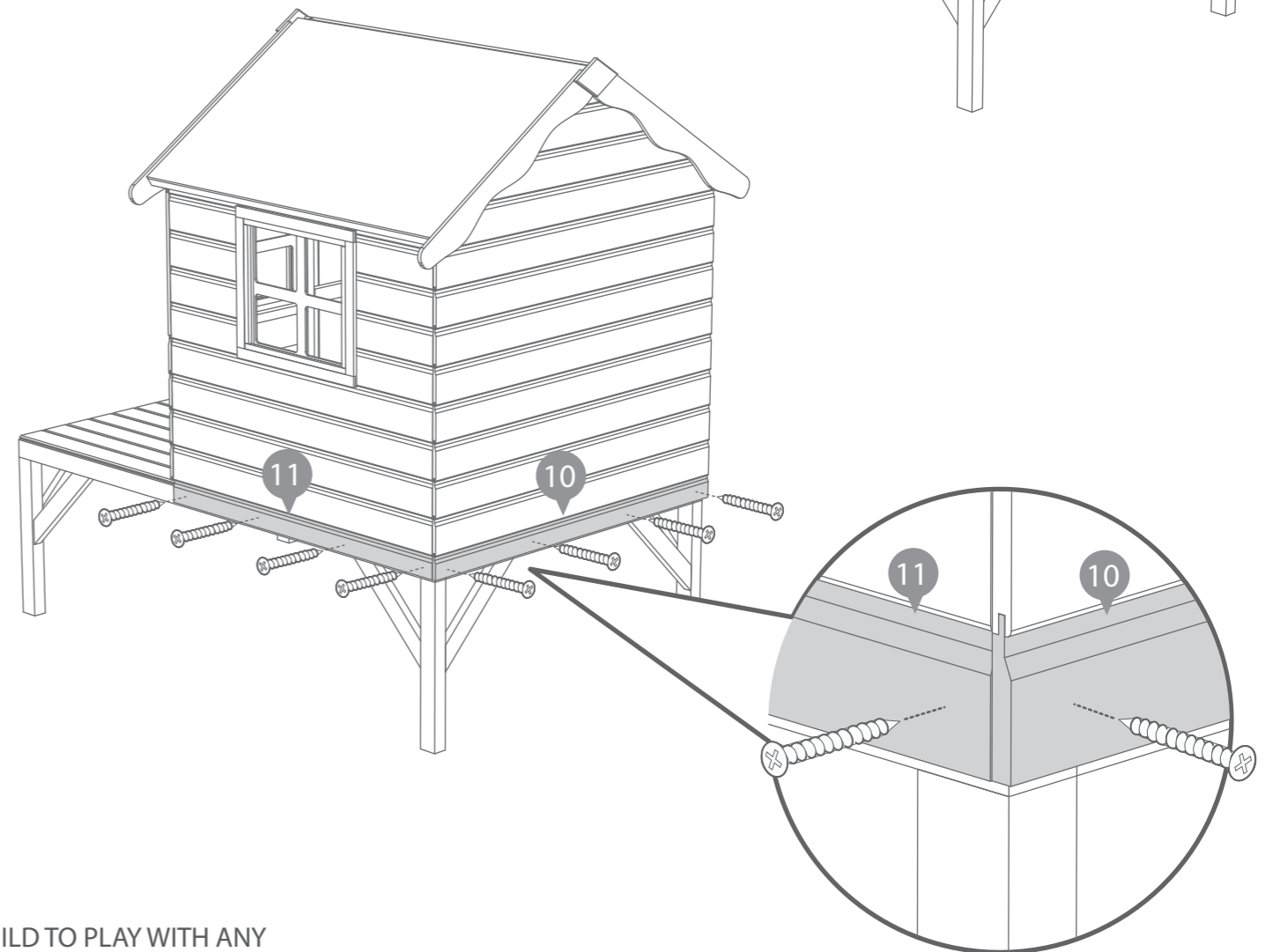
Step 9

Parts needed - 10 & 11 x2

Slot the Shiplap Board 1200mm (No. 10) and the Shiplap Board 1112mm (No. 11) into the bottom of the cladding around the sides.

Fix them into position with 4x40mm screws per piece.

12x40mm screws



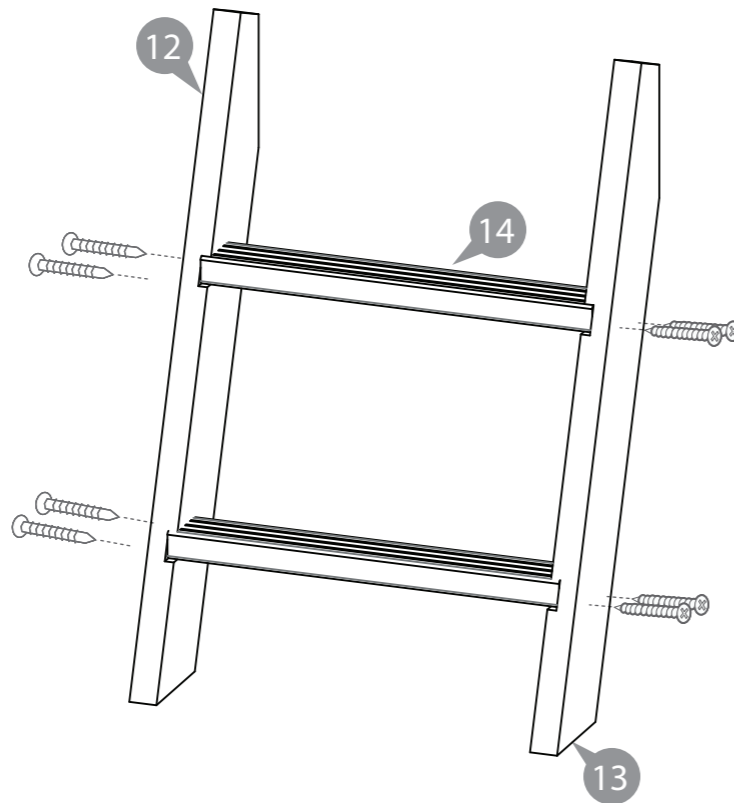
DO NOT ALLOW YOUR CHILD TO PLAY WITH ANY COMPONENT PARTS PRIOR TO ASSEMBLY.

Step 10
Parts needed - 12 & 13 & 14 x2

Slot the Ladder Step (No. 14) x2 between the Ladder Side Left (No. 12) and the Ladder Side Right (No. 13).

Fix with 8x50mm screws as shown.

8x50mm screws



Check for any post manufacture splits in the wood.
If present, do not use and contact the customer service team for replacement parts.



Step 11
Parts needed - 2

a Place the ladder against the platform as shown. Fix into position with 2x100mm screws.

2x100mm screws



b Place the Slide (No. 2) into position as shown. Fix into place with 2x40mm screws.

2x 40mm screws

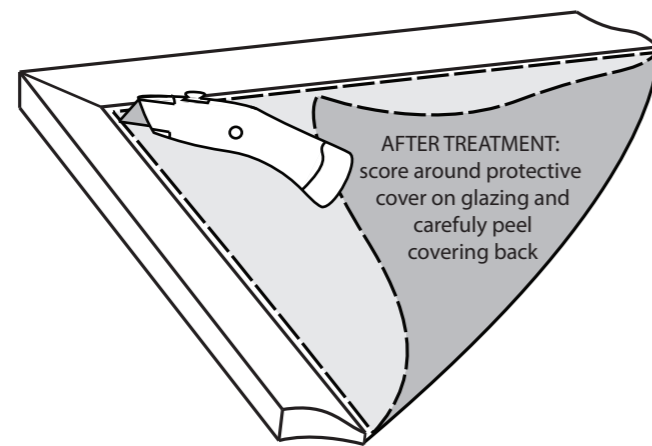


The position of the ladder and slide can be reversed to create an alternative set up if desired.

Do not place either the ladder or slide on the same side that the door opens as this creates a potential hazard.



DO NOT ALLOW YOUR CHILD TO PLAY WITH ANY COMPONENT PARTS PRIOR TO ASSEMBLY.



Playhouse Maintenance:

It is recommended that the following checks and maintenance are carried out at the beginning of each season as well as at regular intervals during the usage season. -

- Check all nuts /bolts/ screws for tightness and tighten when required.
- Check for movement / opening of wood giving rise to protrusion of nail heads and tips.
- Check hinges.
- Replace defective parts in accordance with the manufacturers instructions.
- Check any crossbeams, suspensions and anchors.
- If a swing is included; check the swing seat, chains and ropes.

IF THESE CHECKS ARE NOT CARRIED OUT THE ACTIVITY TOY COULD BECOME A HAZARD