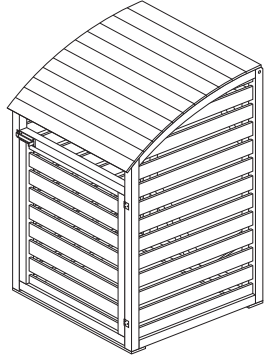


# Box Store

# English SS266

Help Line (Normal Office Hours) 01829 261 121

## Assembly Instructions



### Before assembly

- We recommend that time is taken to read the instructions before starting assembly, then follow the easy step by step guide. The instruction sheet is only a guide to the assembly. Certain items may not be shown to scale.
- Check all components prior to assembly
- Drill all components where indicated.
- This product should be assembled by no less than two people.
- Never attempt to erect the assembly in high winds.

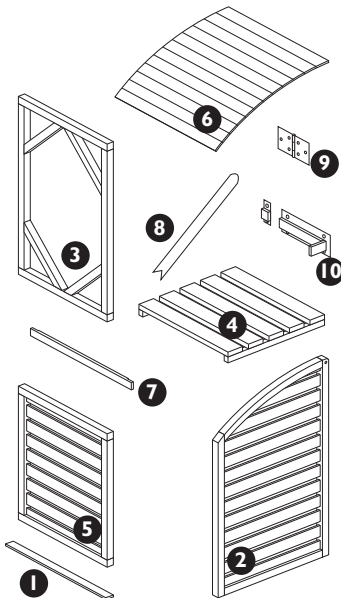


### Recommended tools for assembly

- Cross head screw driver
- Drill with 3mm diameter drill bit
- 13mm Spanner

No.	Components	Qty.
1	Base plates	4
2	Side panel	2
3	Back panel	1
4	Shelf	2
5	Door	1
6	Lid	1
7	Front rail	1
8	Lid stay	1

No.	Fixing kit	Qty.
9	Hinges	2
10	Slide bolt	1
11	100mm bolt	2
12	Nuts	2
13	Washers	2
14	60mm screws	6
15	40mm screws	25
16	30mm screws	18

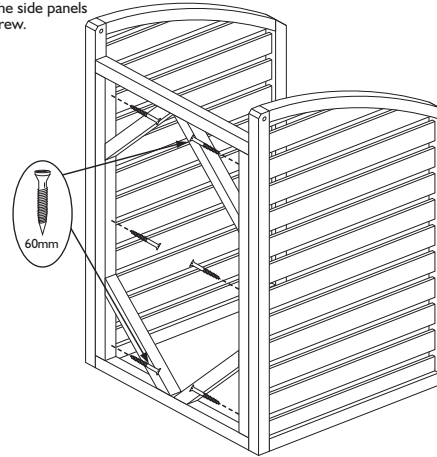


### 1. Sides and back

Align the the back panel with the left-hand panel, ensure the two panels are level at the bottom and the lid stay is on the inside of the assembly. Secure together using 3 x 60mm screws. Attach the right-hand panel to the other side of the back in the same way as shown below.



Drill pilot holes in the frames of the side panels for each screw.



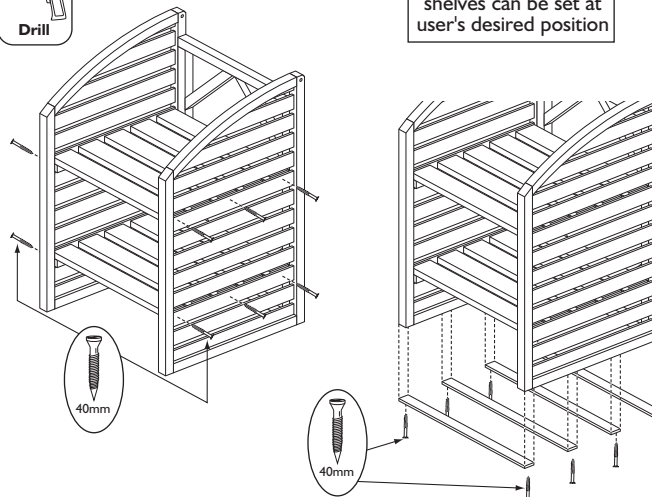
### 2. Shelves & base plates

Secure the two shelves at the desired heights using 6 x 40mm screws per shelf, screw through the side panels into the frames of the shelves. Attach the four base plates evenly spaced to the bottom of the side panels using 2 x 40mm screws per plate.



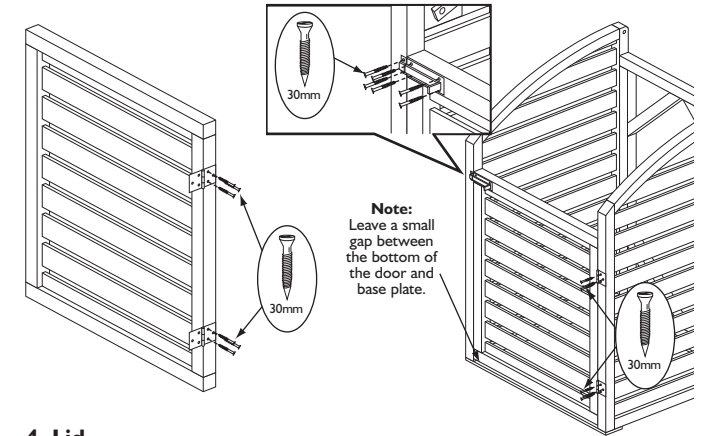
Drill pilot holes for all screws in this section

The height of the shelves can be set at user's desired position



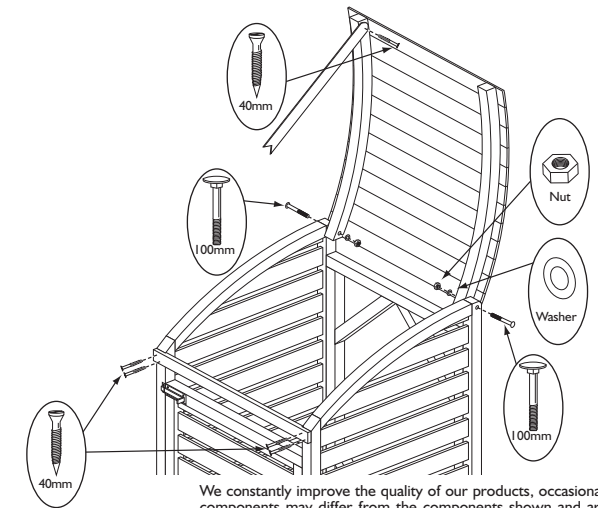
### 4. Door

Attach the hinges to the frame of the door as shown below using 3x30mm screws per hinge. Position the door between the two side panels leaving a small gap between the bottom of the door and the base plate. Secure the hinges to the right side panel using 3x30mm screws per hinge. Position the two parts of the slide bolt as shown below and secure using 6x30mm screws.



### 4. Lid

Secure the front rail to the front of the uprights using 4 x 40mm screws. Position the lid between the side panels as shown. On each side align the pre-drilled bolt holes and insert a bolt. Secure each bolt with a washer and a nut. Do not over tighten the nuts. Attach the lid stays using 1 x 40mm screw as shown.



We constantly improve the quality of our products, occasionally the components may differ from the components shown and are only correct at time of printing. We reserve the right to change the specification of our products without prior notice.