

Garden Retreat 330 x 300cm

1

Important information

Please check the construction set for completeness using the position list in good time before starting construction or commissioning your construction team. If individual parts are defective or missing, we will deliver these as quickly as possible. However, we cannot refund the costs for any resulting construction delays to a construction company.

Please understand that we cannot assume any guarantee for the following defects:

- incorrect storage before assembly
- incorrect anchoring with the ground or inadequate foundation (foundation according to statics)
- damage due to erection errors, e. g. the house is not level or not right-angled
- damage through a higher level of snow burden than statically envisaged. Recommendation: load relief of the roof by removing the snow layer
- storm damage (insurance cases) or violent destruction
- damage through any alteration to the design by the client
- natural formation of cracks, branch holes, twisting, decolouration or similar modification (natural process; has no influence on the statics)

Storage information until construction:

- store pallet on a level and dry surface.
- Protect from exposure to sunlight and the influences of weather; wood can warp drastically in a loose condition!





Maintenance tips:



The wood is untreated. Accordingly, regular, protective coating is absolutely necessary! Please observe the attached information sheet "Care instructions/Colour treatment".

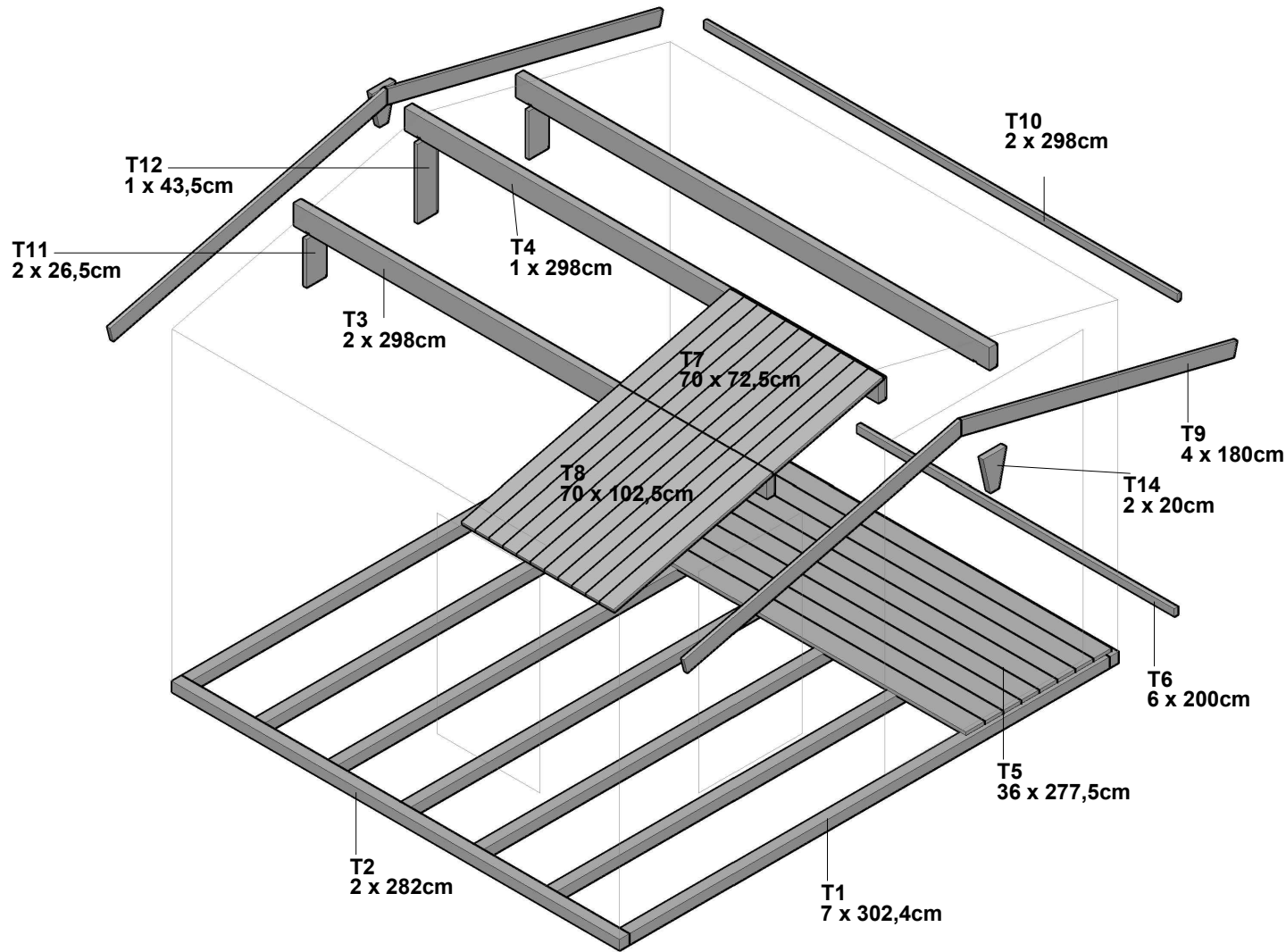
General tips and refers to:














-  1 - The packaging foil **can be used** to keep moisture out of the house. It is laid according to the ground area of the house under the main bearing (not in delivery).
-  1 - **Foundation according to the structural calculations** (not included in the scope of delivery): concrete C25/30, each 2 Ø 12 top and bottom, brace mat R188A (alternatively brace Ø 6/20cm). Anchoring of the floor beams **(in the building)** on the strip foundation using bolts M12, $e \leq 60\text{cm}$. The base bearings in the storeroom of the house must be entirely flush.
-  2 - **It is necessary to lay a tarpaper or equal on the roofboards.**
-  3 - Please note, that the screw with the washer has to **fasten on the top of the longholes in the strip for connecting the planks together**. It is important, that the screws **can move a little bit** and the roof doesn't come into contact with these connecting strips; **otherwise you have to cut these strips on the bottom. Please don't screw too tight.**




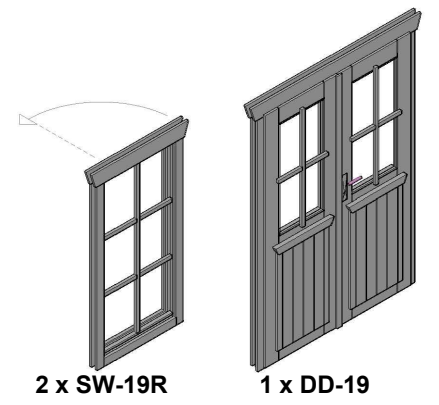
Garden Retreat 330 x 300cm



- 10 x B100 
- 520 x B115-050  50mm
- 40 x B105-020  20mm
- 28 x B105-030  30mm

- 16 x A108-24 
- 40 x B105-035  35mm
- 485 x B105-040  40mm
- 36 x B105-050  50mm
- 4 x B105-060  60mm
- 12 x B105-080  80mm
- 14 x B105-100  100mm

- 4 x T13 

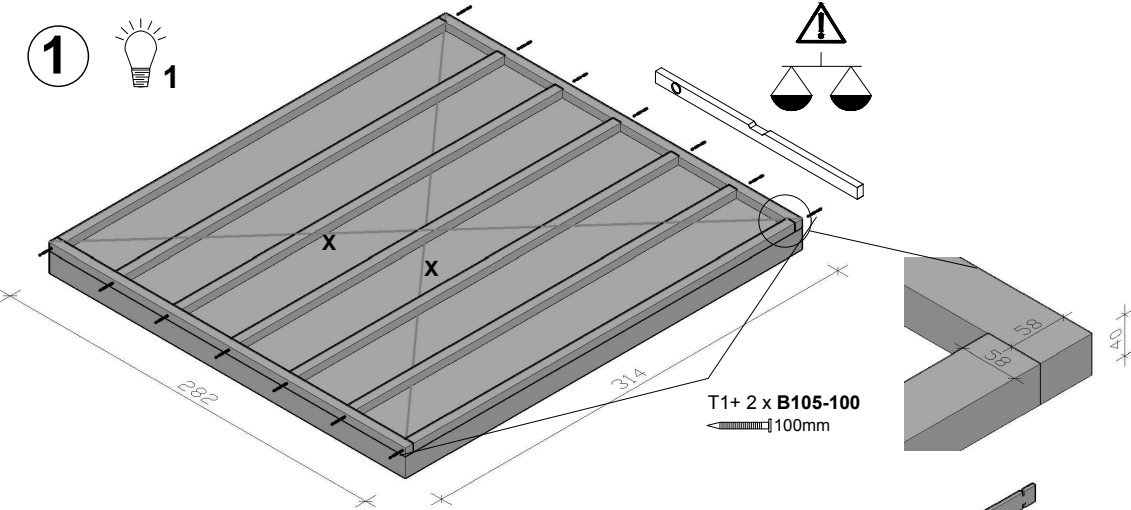




Garden Retreat 330 x 300cm

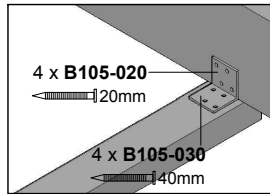
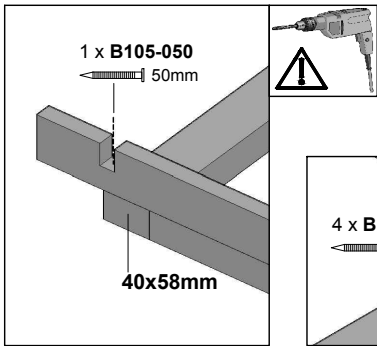
4

1

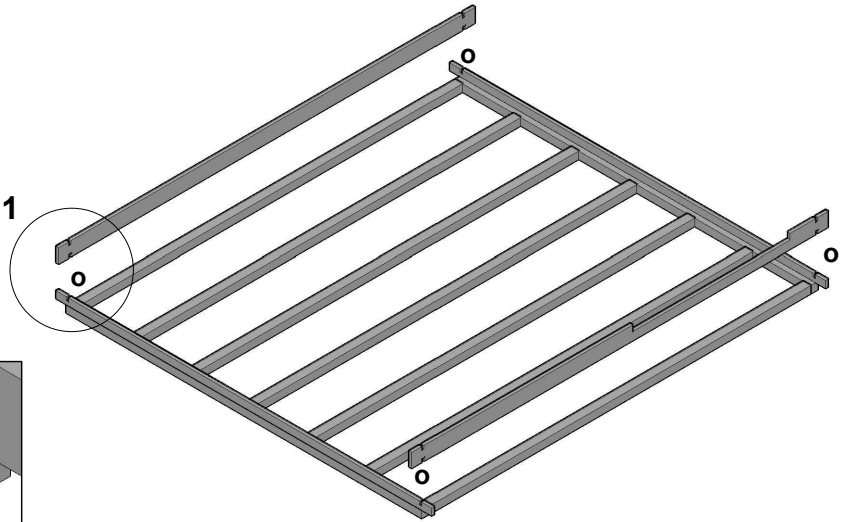


!!! X=X

1.1 o

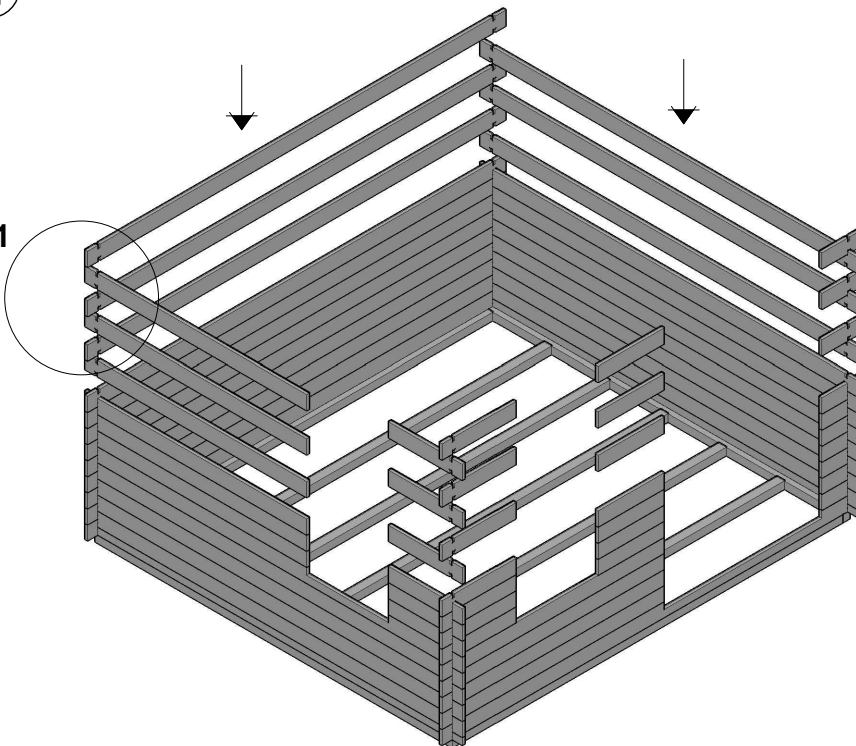


1.1

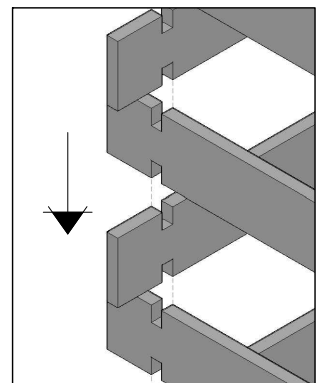


2

2.1



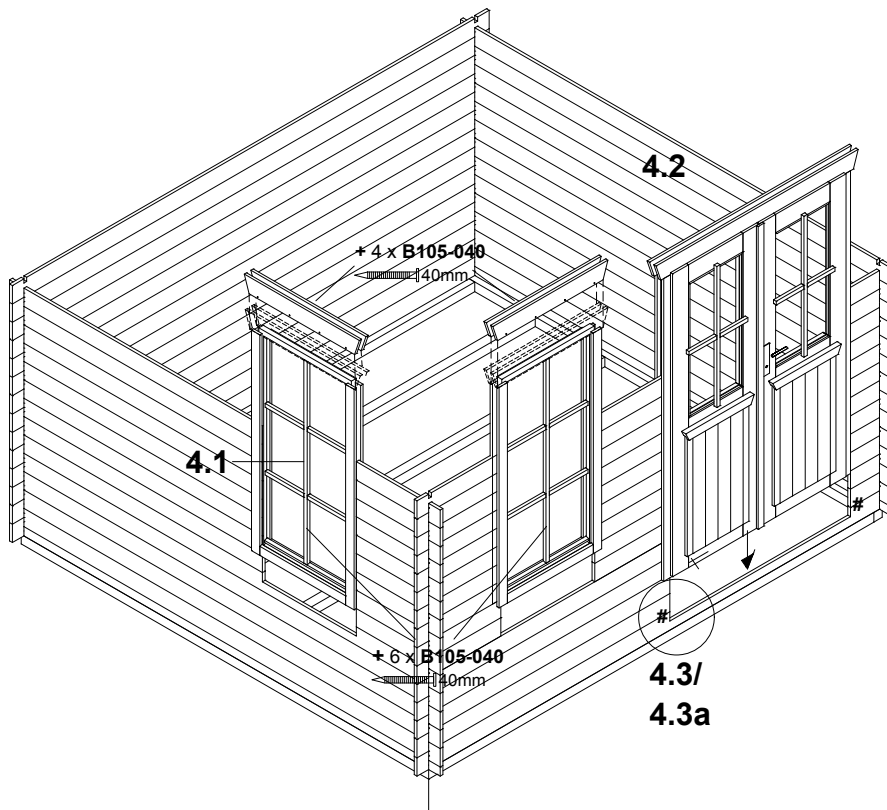
2.1





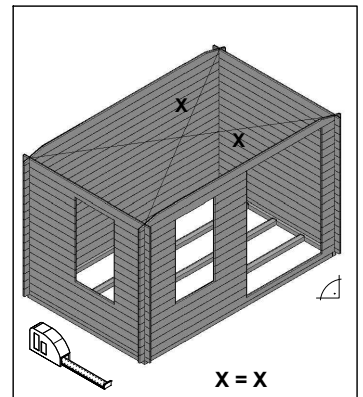
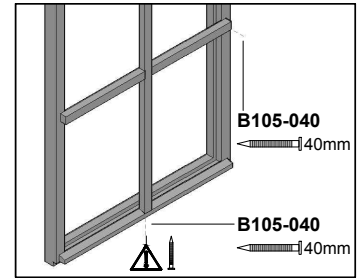
Garden Retreat 330 x 300cm

3



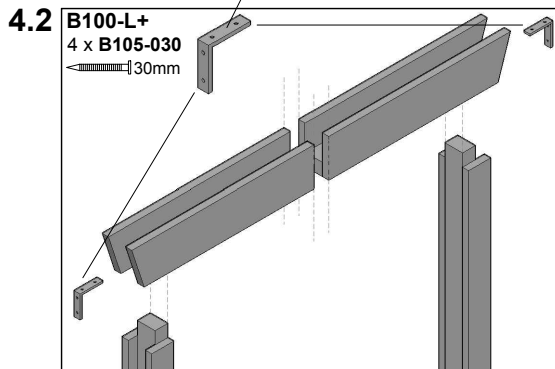
5

4.1

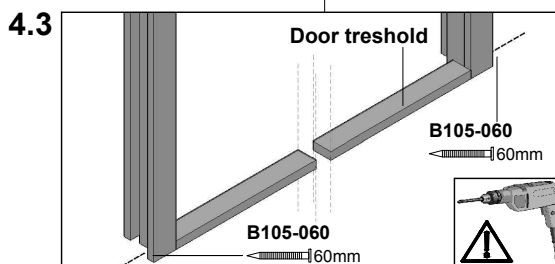


4

Angle brackets are in the door handle set bag!

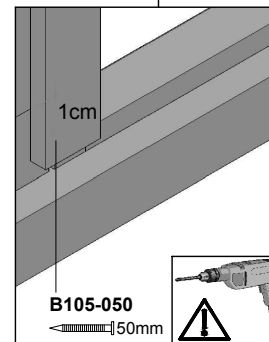


- Hang the doorleaf on the hinges **after** pushing the frame into position



4.3a #

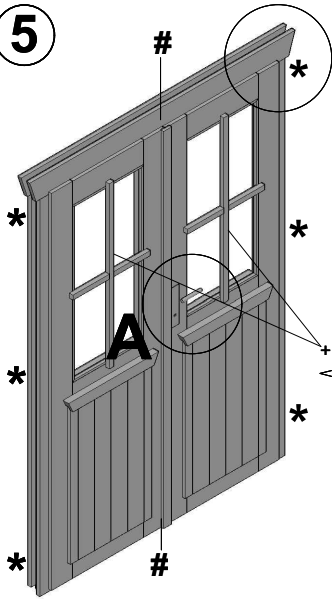
- inside



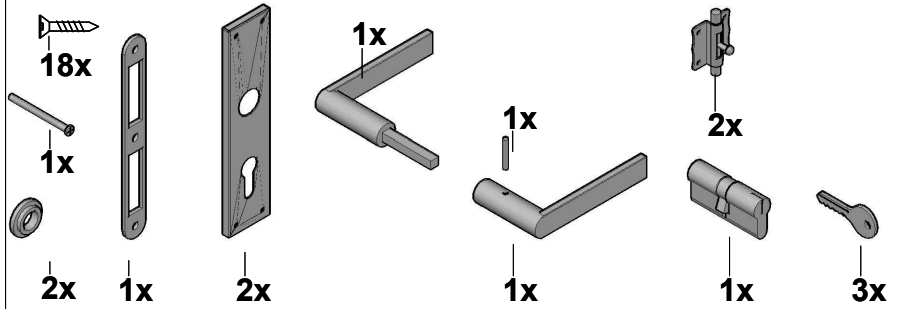


Garden Retreat 330 x 300cm

5

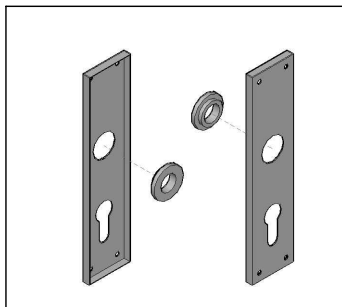


B

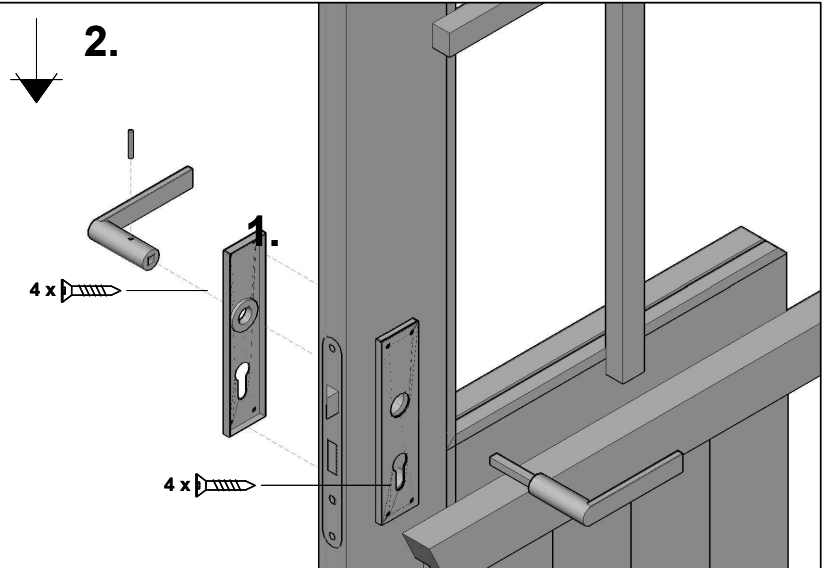


6

A



+ 4 x B105-040
40mm

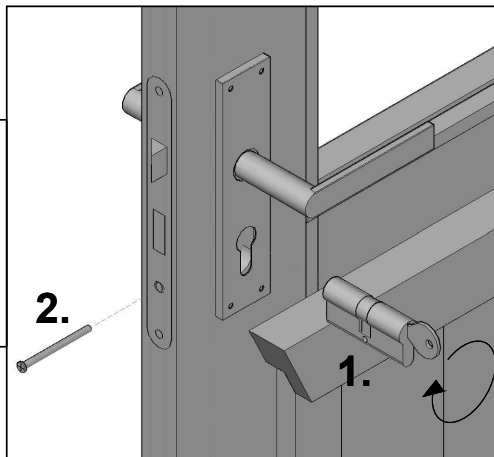
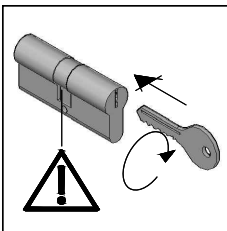


2.

1.

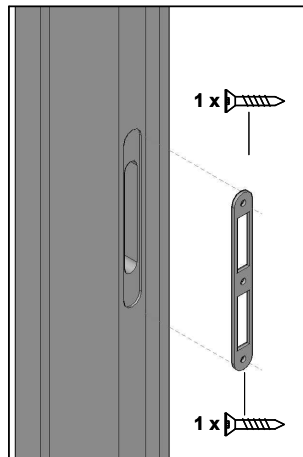
4 x

4 x



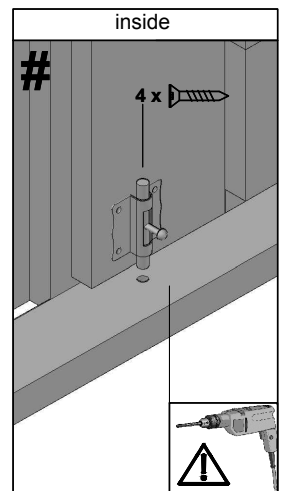
2.

1.



1 x

1 x



inside

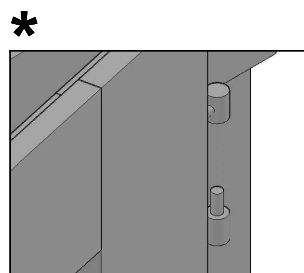
#

4 x



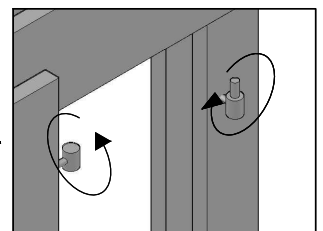
B105-040
40mm

B



*

2





Garden Retreat 330 x 300cm

7

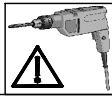
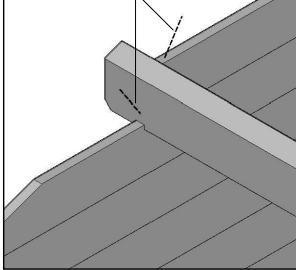
5

5.1

5.1

1.

2 x B105-080
80mm

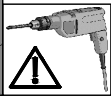
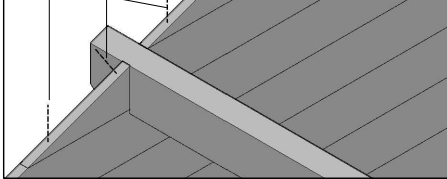


5.1

2.

2 x B105-080
80mm

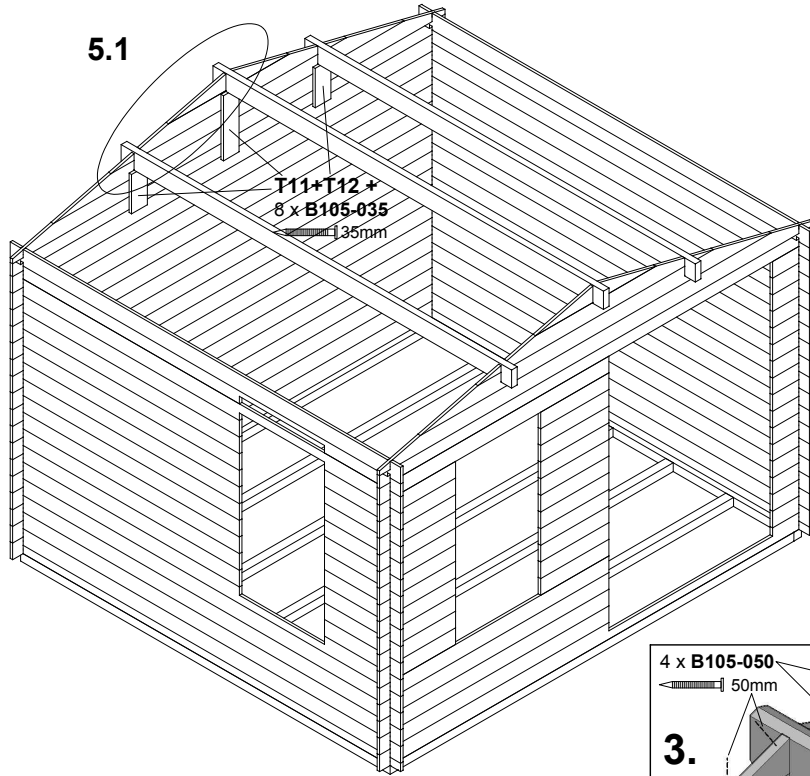
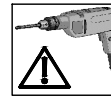
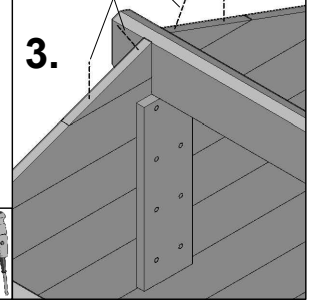
3 x B105-050
50mm



5.1

3.

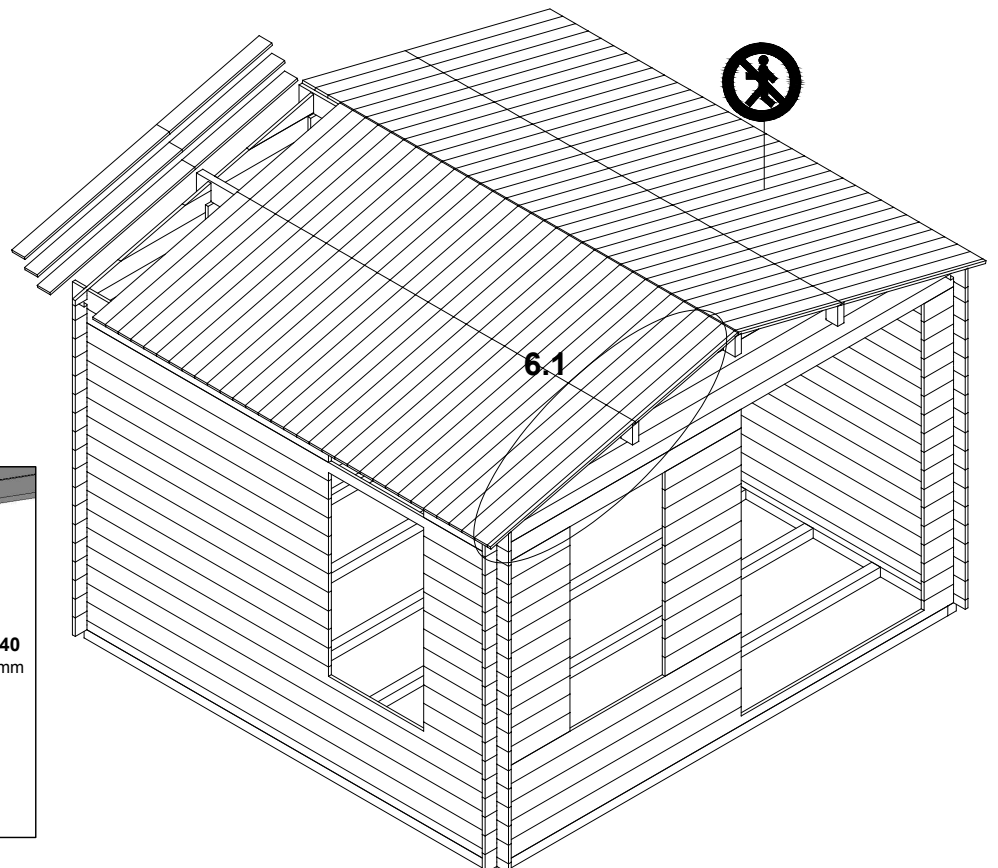
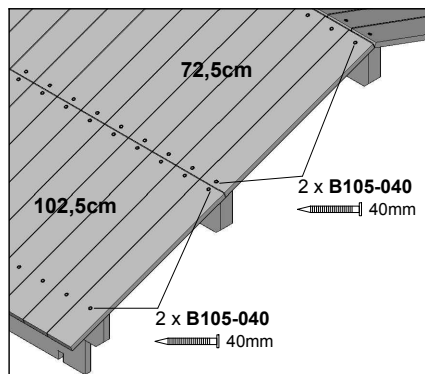
4 x B105-050
50mm



6

6.1

6.1





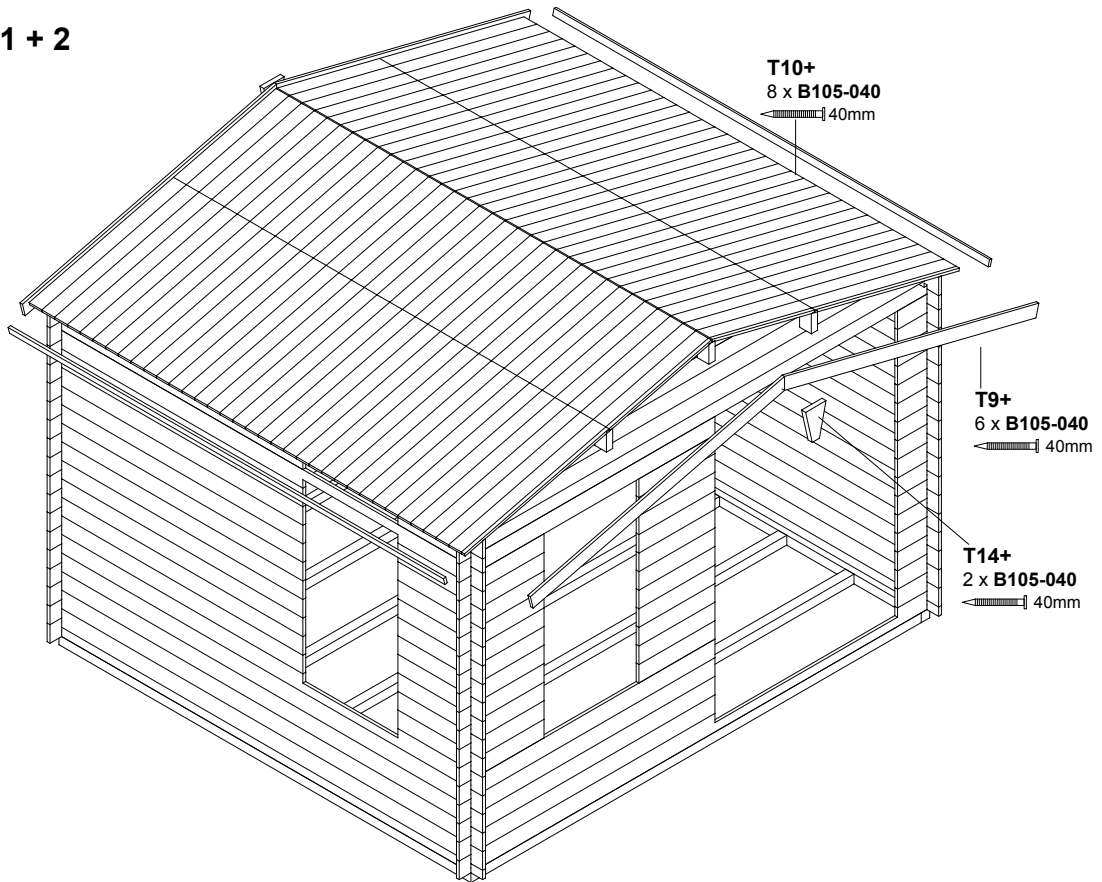
Garden Retreat 330 x 300cm

8

7



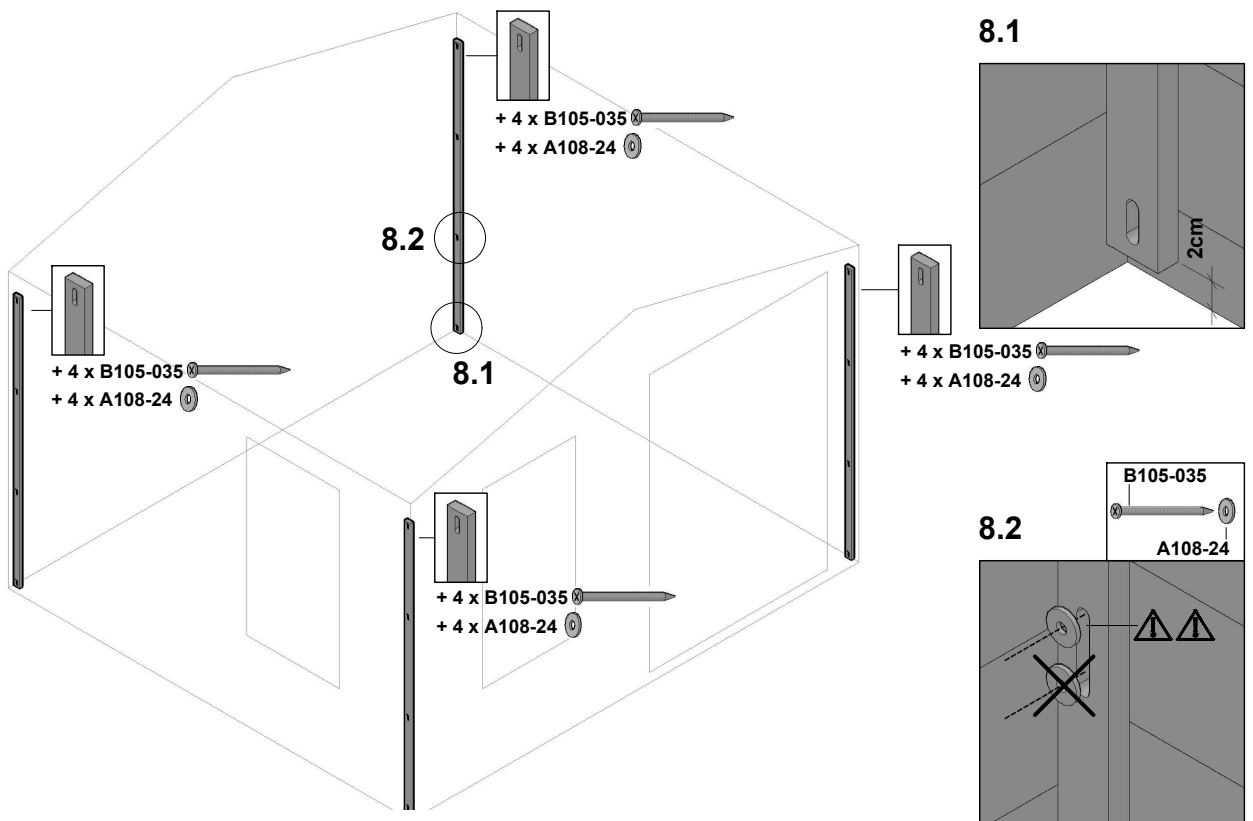
1 + 2



8



2

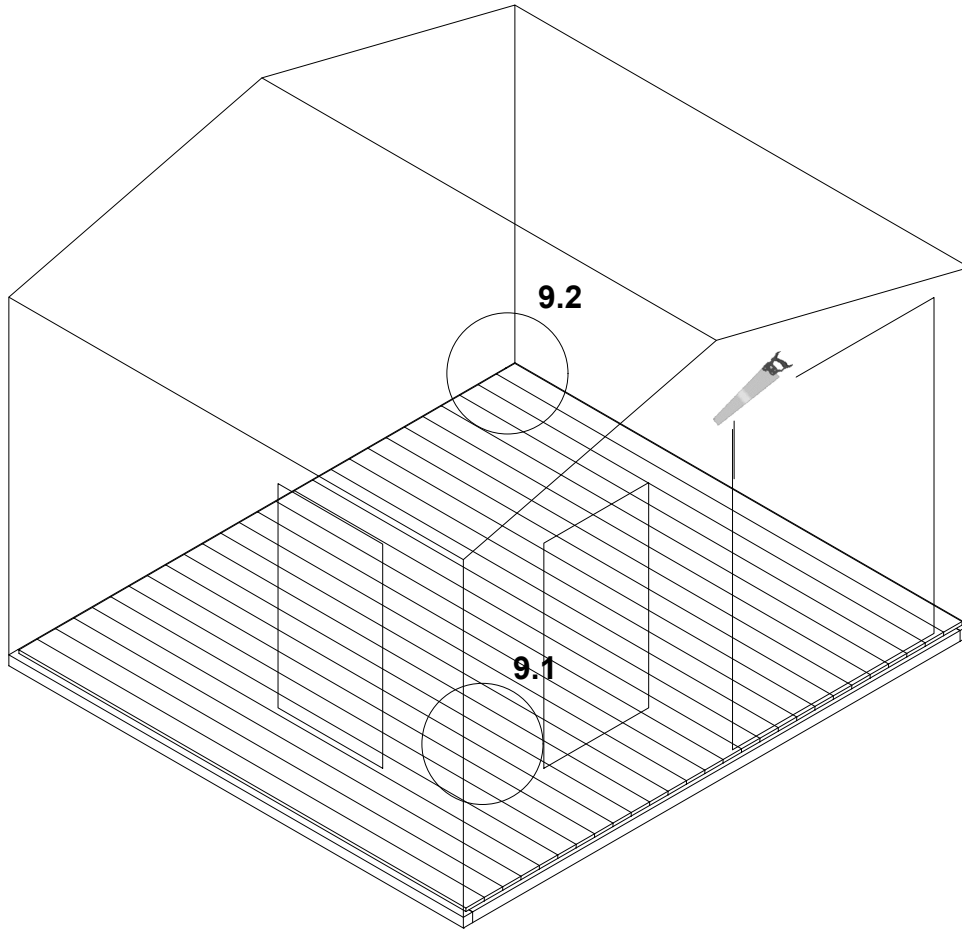




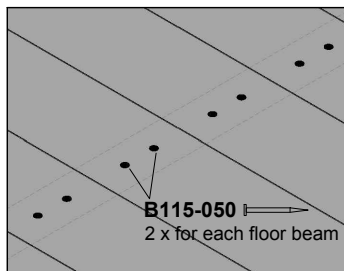
Garden Retreat 330 x 300cm

9

9



9.1



9.2

