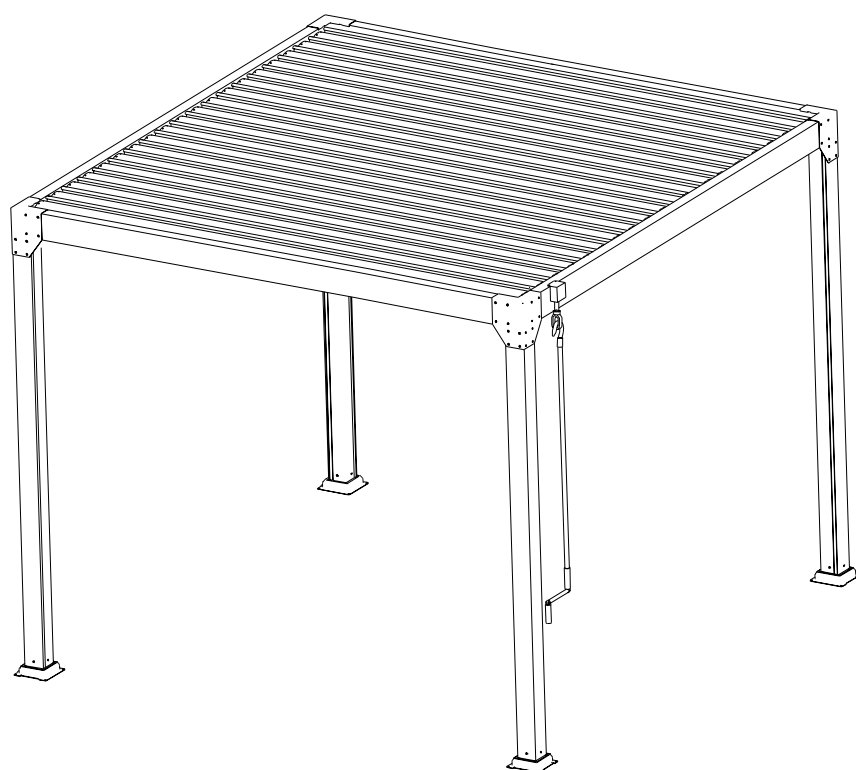


FTR173

ASSEMBLY INSTRUCTIONS

Product Size 247H x 300W x 300D CM



SAFETY WARNINGS

Carefully read the instructions before installing the pergola. Failure to follow these instructions may result in property damage or bodily injury.

- To install this pergola technical knowledge is necessary. Do not build this pergola yourself but contact a professional for help if:
 1. You are unsure if the pergola can be built where you have chosen.
 2. You do not understand the instruction manual or parts of it.
 3. You do not have the necessary tools available.
 4. You do not have the necessary technical knowledge.
- Do not use an electric screwdriver, as this may result in cross threading and damage to the pergola.
- Two or more people are required to move and install the pergola. Do not try to install the pergola alone. If the pergola falls, it could cause serious injuries and damage.
- Parts can be heavy and awkward to lift; please ensure you have an unobstructed area to assemble the product.
- Safety precautions should always be followed when assembling and using this product to reduce the risk of personal injury and damage to equipment.
- Do not install the pergola if any damaged parts are present or if any parts are missing. Contact the supplier immediately.
- The pergola needs to be assembled and used on a level and stable ground.
- Do not attempt assembly in windy or rainy conditions.
- Keep children and pets out of the working area during assembly and adjustments.
- Do not alter the product's design and structure in any way.
- Hidden ends may be sharp, please wear gloves during the assembly and any maintenance. This also prevents any marks during assembly.
- Do not climb onto the pergola.
- Do not hang anything from the pergola or place anything on top of it.
- This structure is a non-permanent structure, and the warranty does not cover damage incurred under extreme weather conditions including heavy rain, high winds or if exposed to high heat from heaters or BBQs.
- Always keep the louvres open when not in use and secure the product during heavy winds or extreme weather conditions.
- This product is not designed to withstand extreme weather, it is the installers responsibility to ensure that the anchorage of the pergola is suitable for foreseeable wind conditions at the location of the installation and the type of ground it is installed on.
- The expansion bolts provided are not suitable for all ground types. It is the installers responsibility to ensure the anchoring of the pergola is sufficient.
- Do not use the pergola as a shelter during extreme weather conditions.
- Never leave large quantities of water or debris such as leaves on top of the pergola as this may cause the metal to bow.
- Whilst storing, ensure the parts are laid flat to prevent any bowing metal.
- The pergola is not designed for permanent use.
- Don't store items under the pergola as it is not waterproof.
- Ensure you check and tighten (where necessary) nuts and bolts, these can loosen over time.
- Periodically check the pergola for any signs of damage or deformation. This can cause the product to be unsafe and unstable.
- Always use manufacturer authorised parts when repairing your pergola.
- Before starting to assemble the pergola, unpack the product and check to ensure you have all the parts required for assembly.

CLEANING & MAINTENANCE

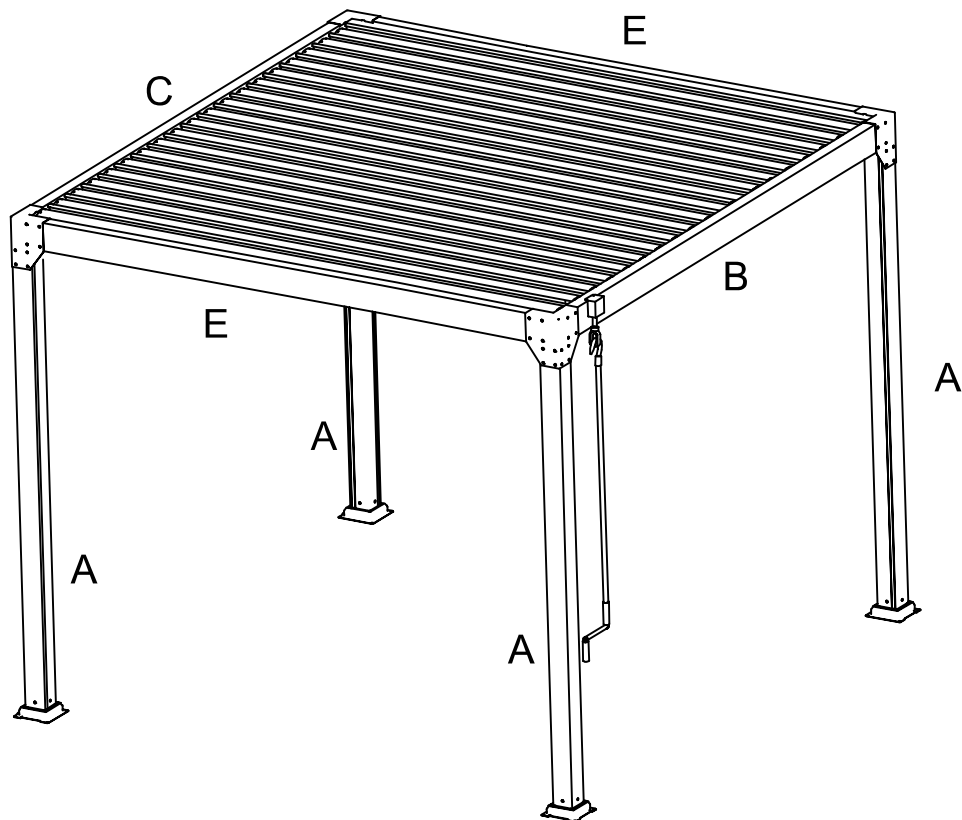
The Pergola is weather resistant but is not water or wind proof. Please take care in your placement of the Pergola to ensure it is sheltered from extreme weather. If you are expecting extreme weather, we highly recommend disassembly and to store the parts flat in a dry area. Storing the parts stood up or on an uneven surface can cause the metal to bow.

To disassemble follow the assembly instructions in reverse.

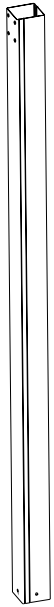
You will not need to regularly clean the pergola in standard use, the material has been treated and is designed for outdoor use. In case of any spillages or accidents wipe the unit with a mild solution of soap and water, then dry with a soft cloth.

You will need to regularly check the connections, as these may loosen with time and weaken the structure. In case of any damage to the parts, please contact the supplier to request replacement parts. Please note the warranty only covers manufacturing faults, and requests related to damage may be chargeable.

B		1	Carton 1	O		1	Carton 1
C		1		P		2	
E		2		S		38	Carton 2
I		1		A		4	
J	 M6 x 15	118+5		G		4	Carton 3
L	 M6 x 62	16		H		4	
M	 M4 x 22	1		F		19	
N		1					



Step1:



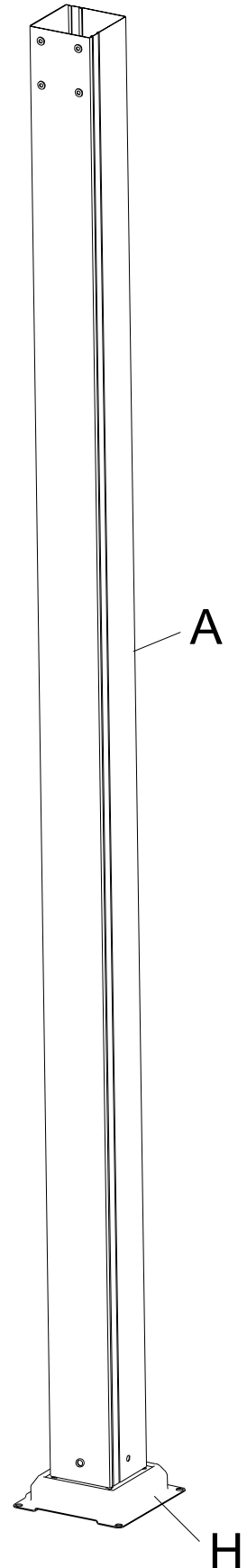
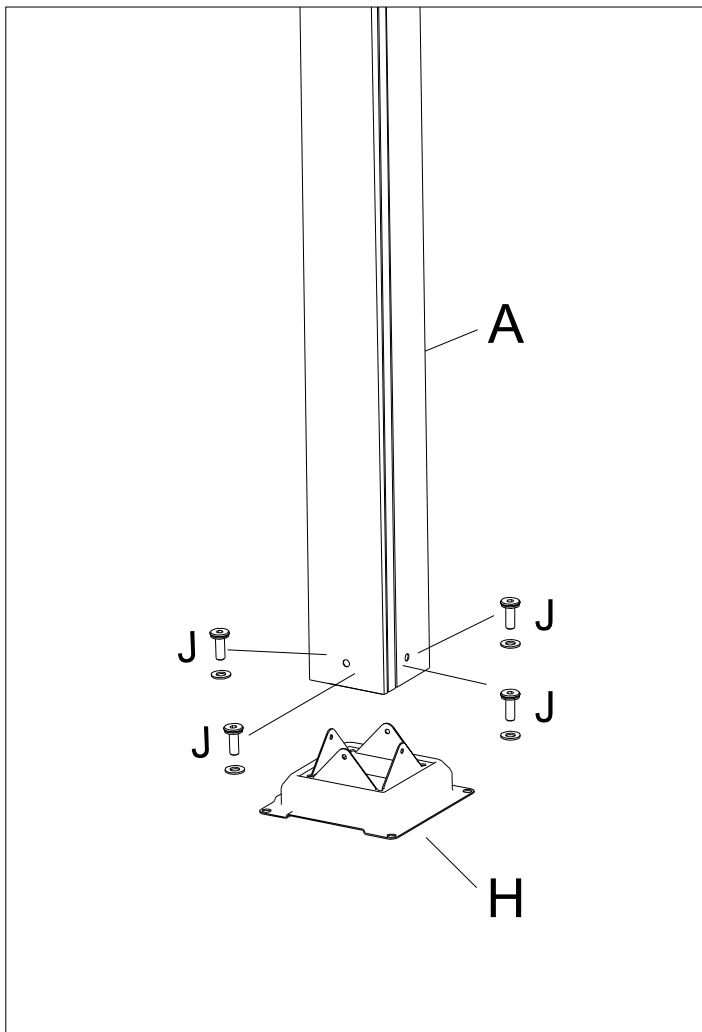
A (x4)



H (x4)



J (x16)



 J (x16)

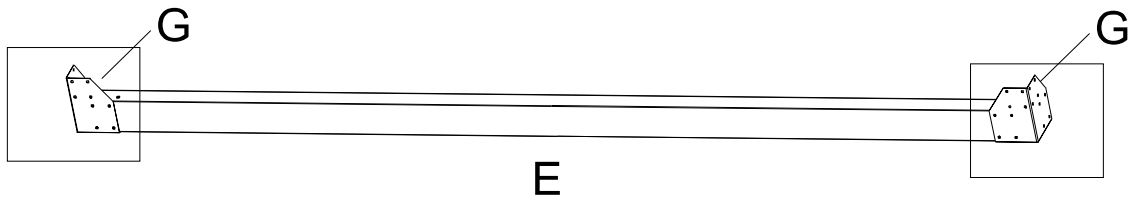
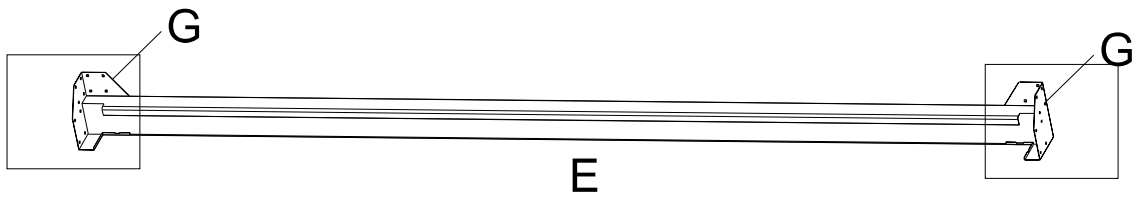
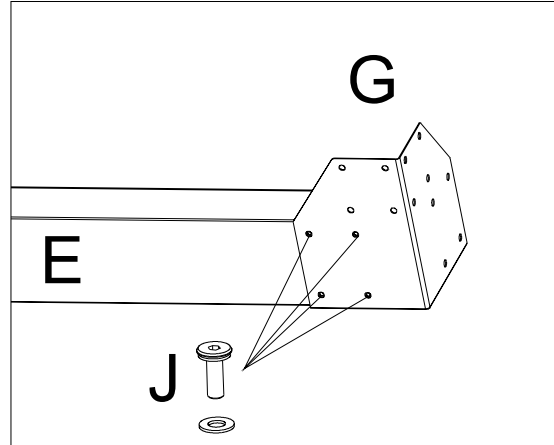
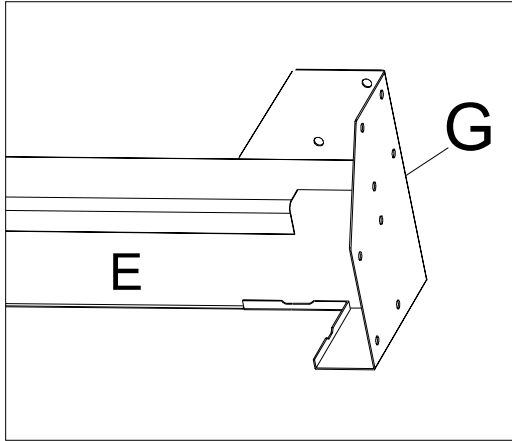


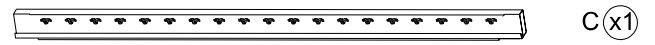
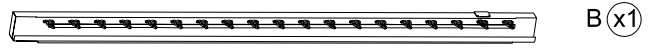
E (x2)



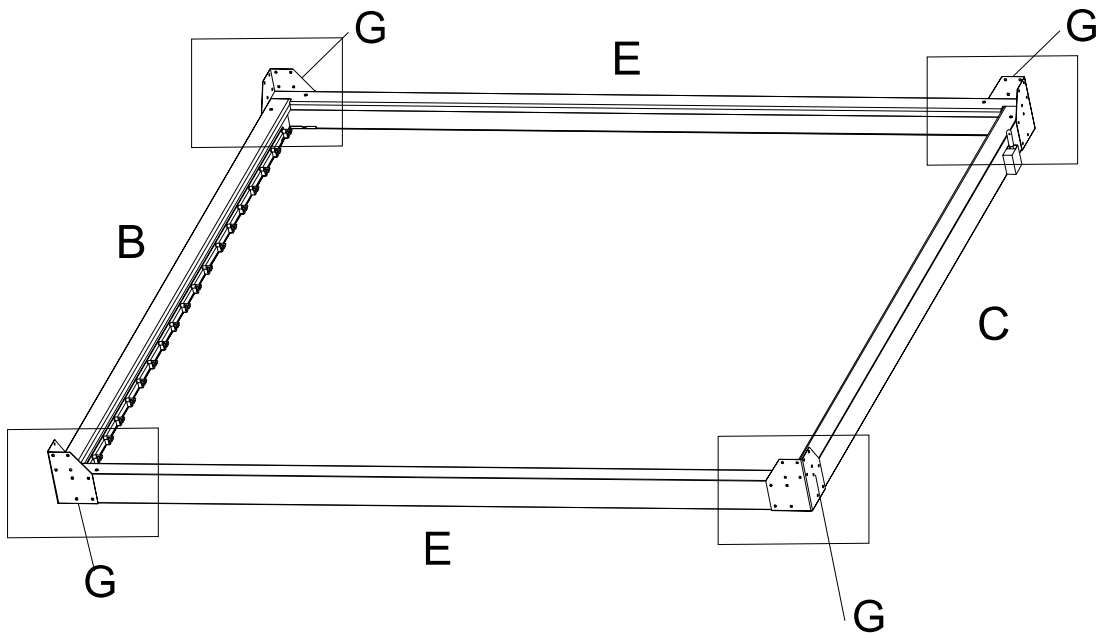
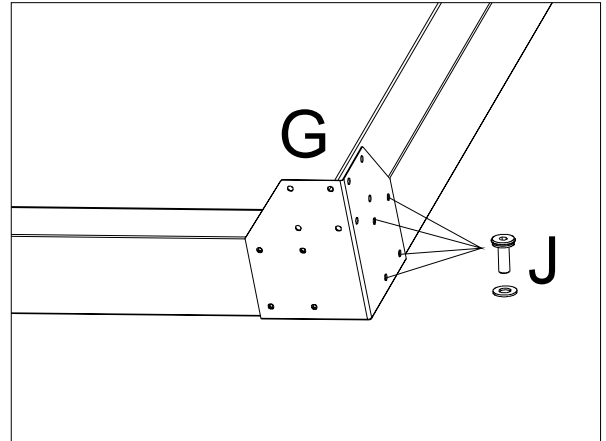
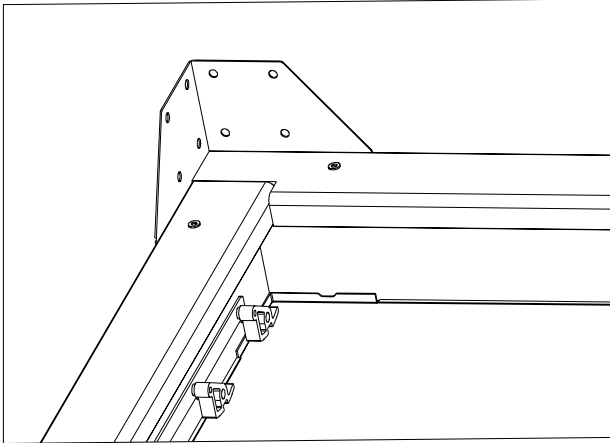
G (x4)

Step2:

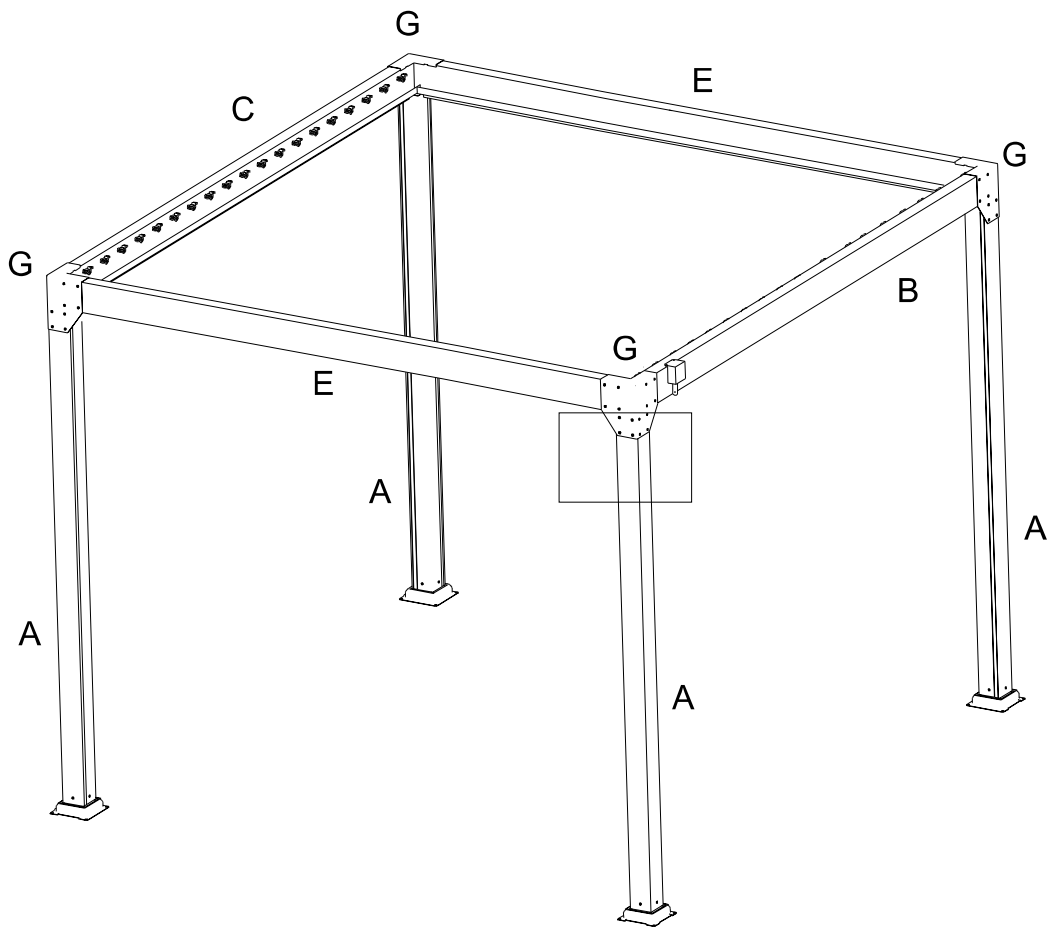
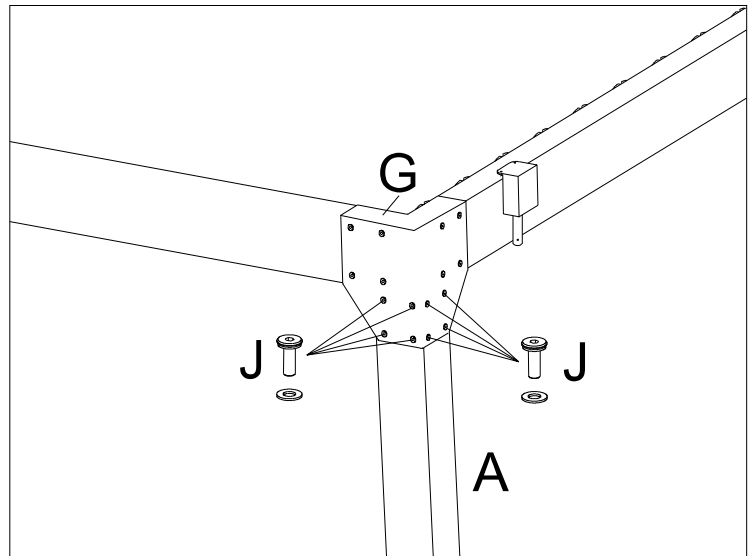




Step3:

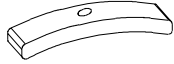


Step4:





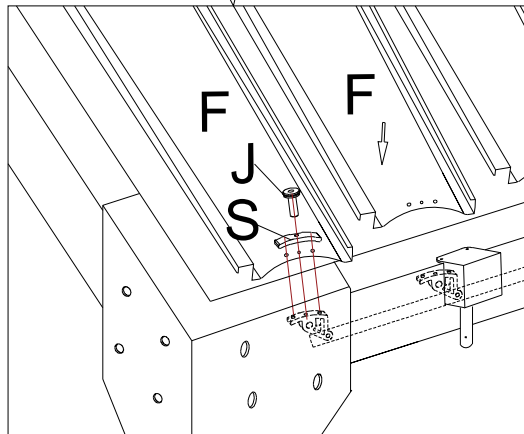
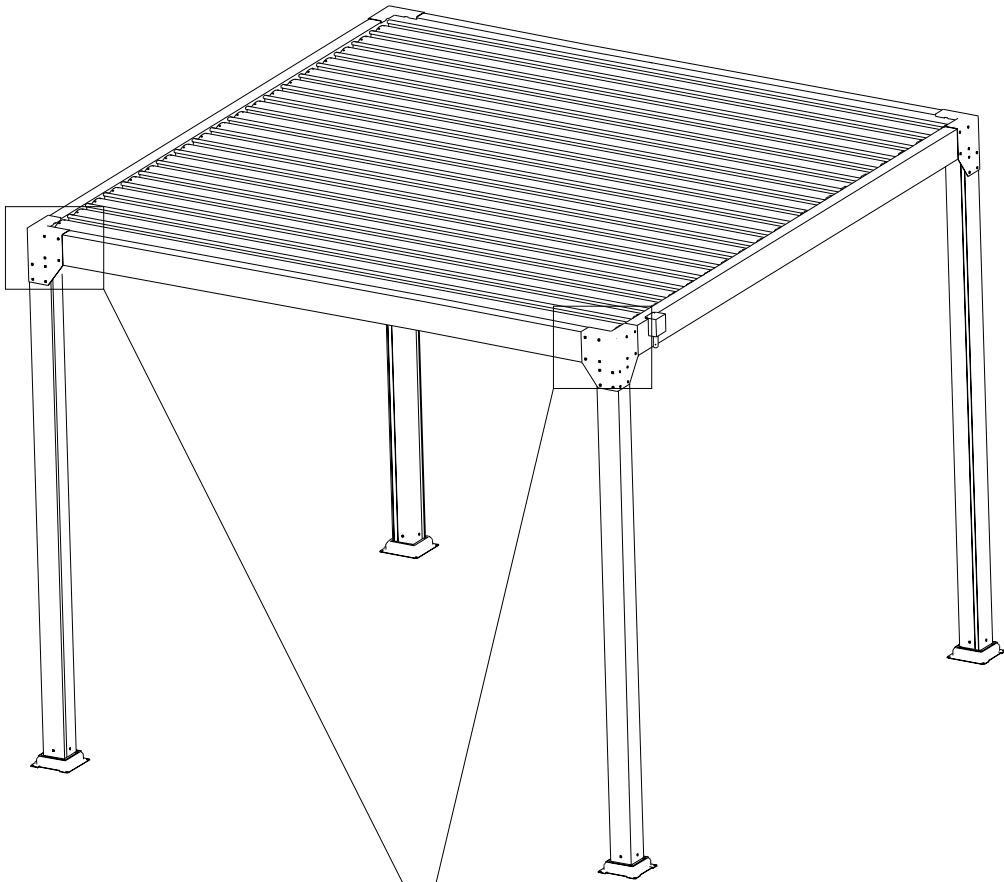
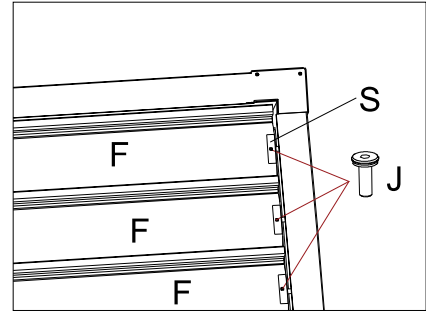
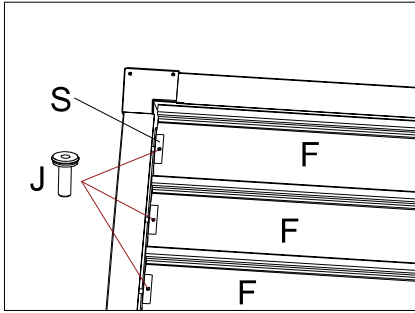
J x38



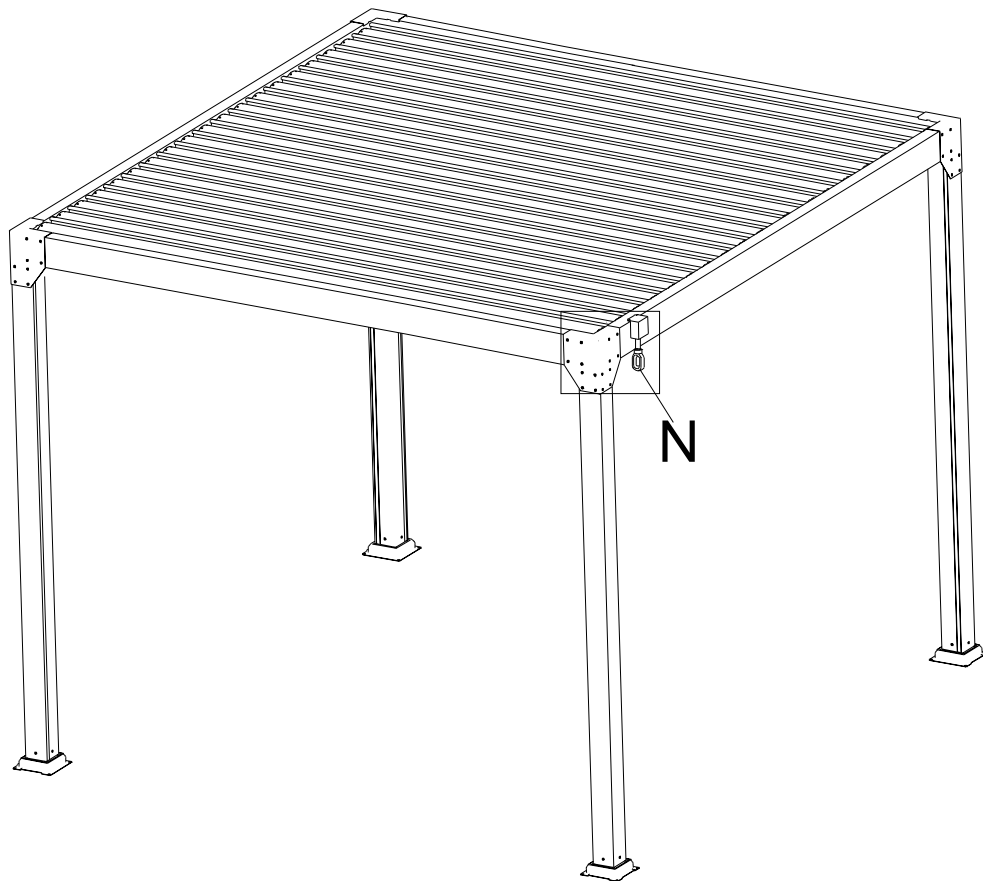
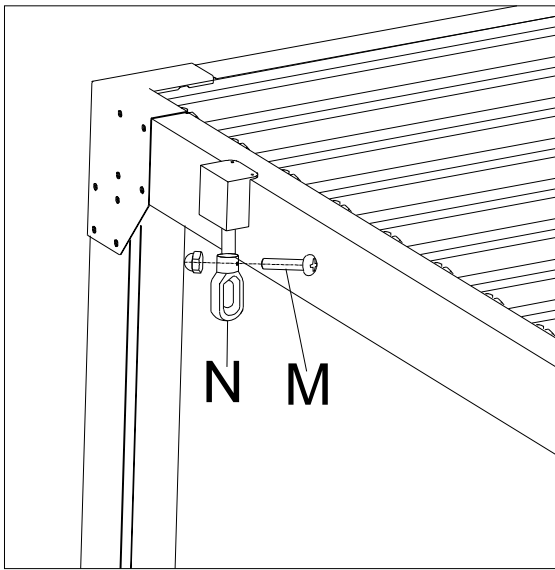
S x38



F x19



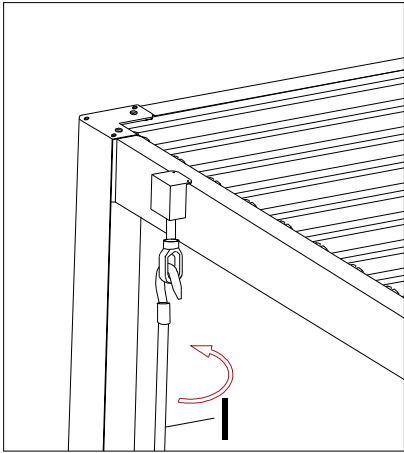
Step5:



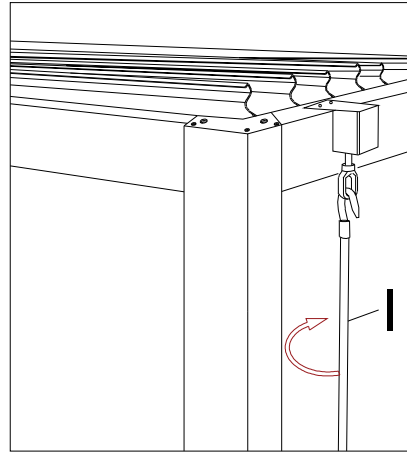
Step6:



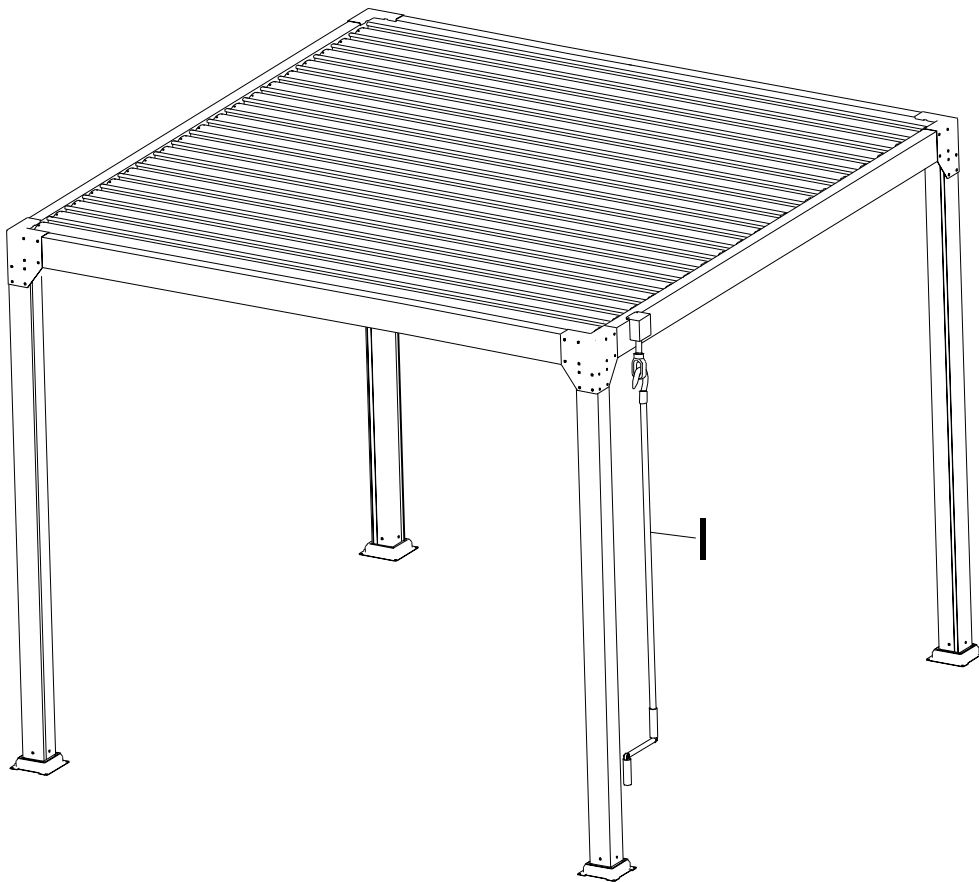
1 (x1)



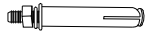
Anticlockwise to open



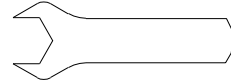
clockwise to close



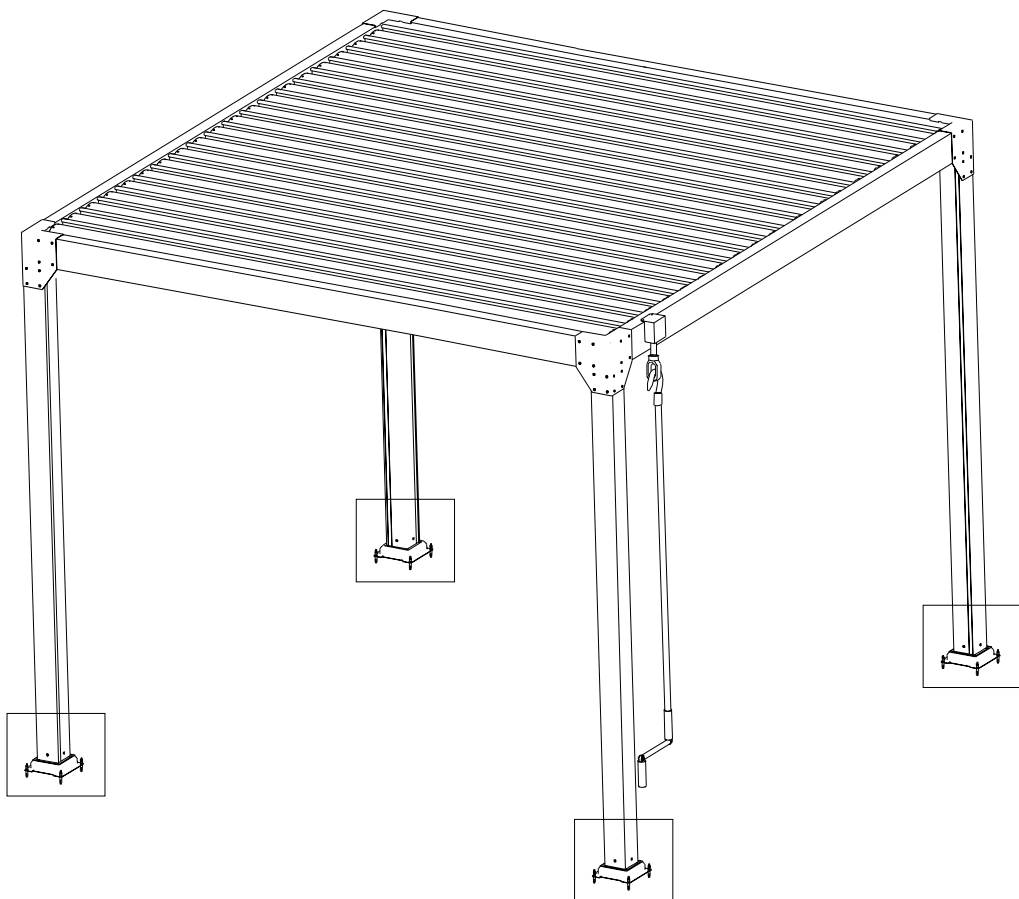
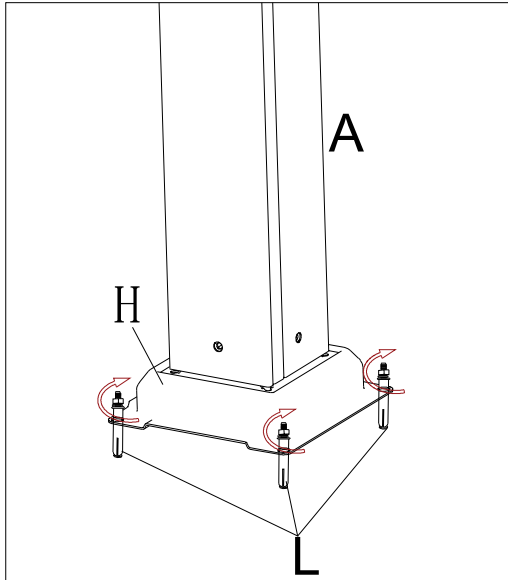
Step 7:



L x16



O x1



Step8: