

Maintenance/ Care and Cleaning Instruction

Maintenance and Cleaning Instructions

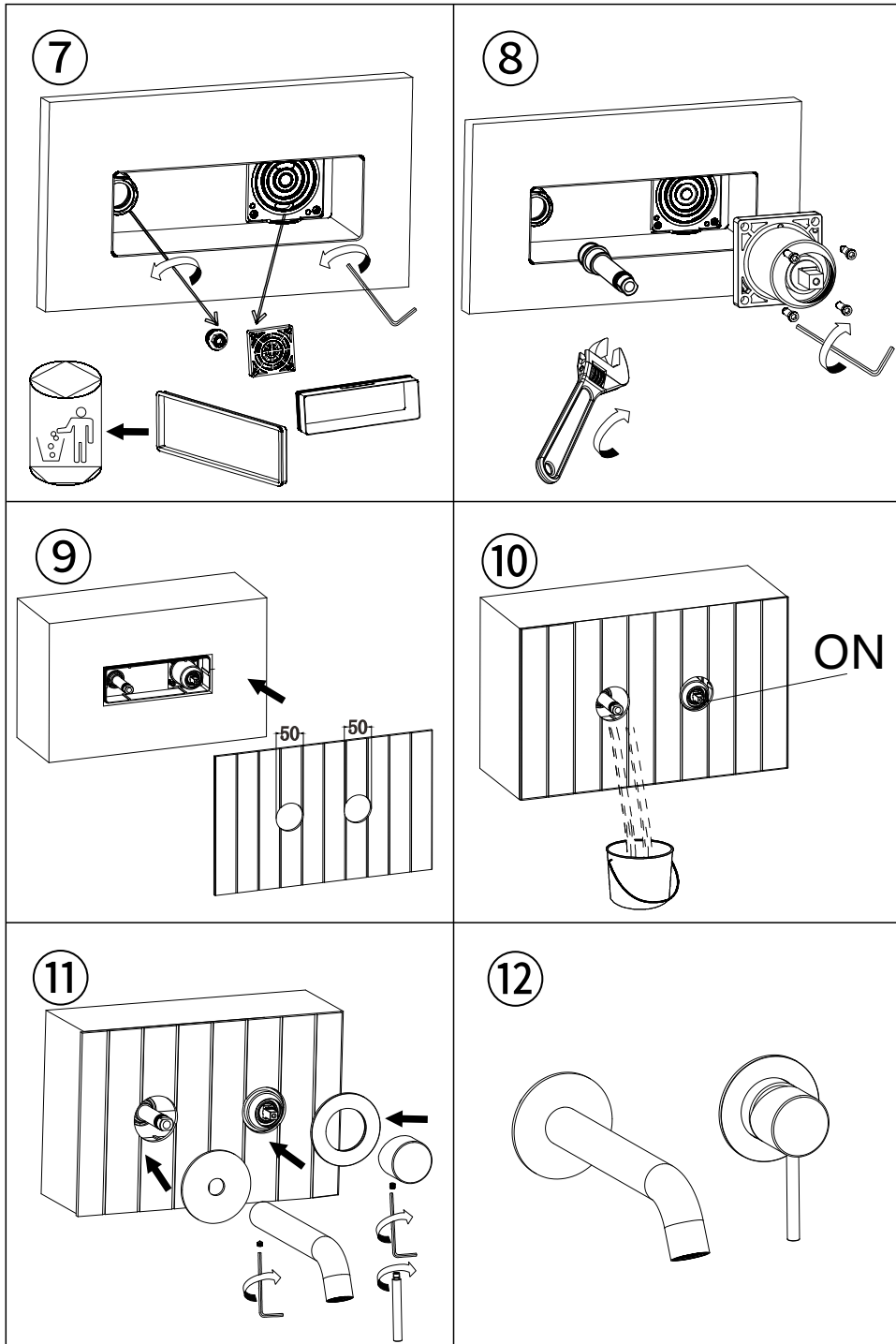
The finishes of our products are durable. To keep our products in good condition, the end users are required to regularly maintain and clean all the surfaces based on the following guidelines:

- Warm water or mild soapy water should be used to remove system debris and limescale.
- After cleaning, all soapy water should be removed by water and polished with a clean, soft and dry cloth.
- No abrasive cleaning agents or materials should be used.
- No corrosive cleaning agents should be used, which will cause corrosion.
- More care should be taken in hard-water areas to ensure all the surfaces are regularly cleaned.
- Failure to do so will invalidate the product warranty.

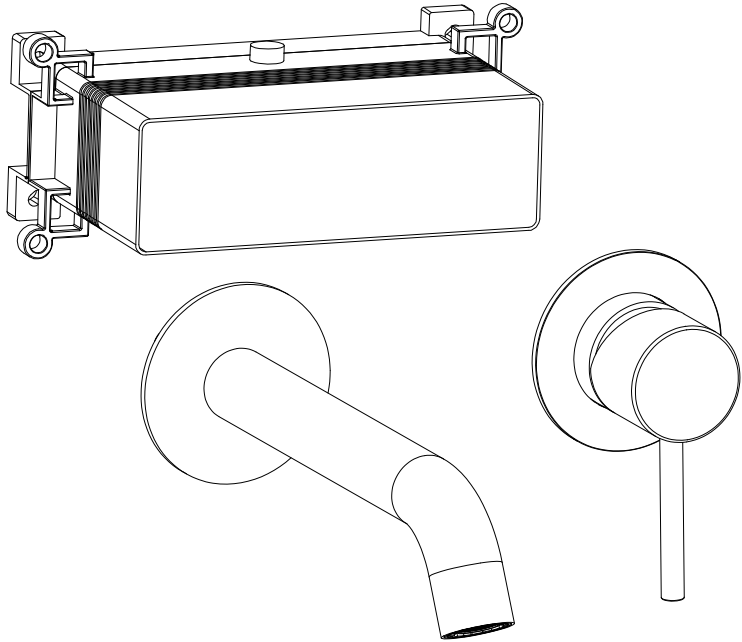
Care Instructions

Please be careful when installing, using, cleaning and maintaining this product. Any defects or damages like peeling problem at this product due to the following reasons is not covered by the product warranty:

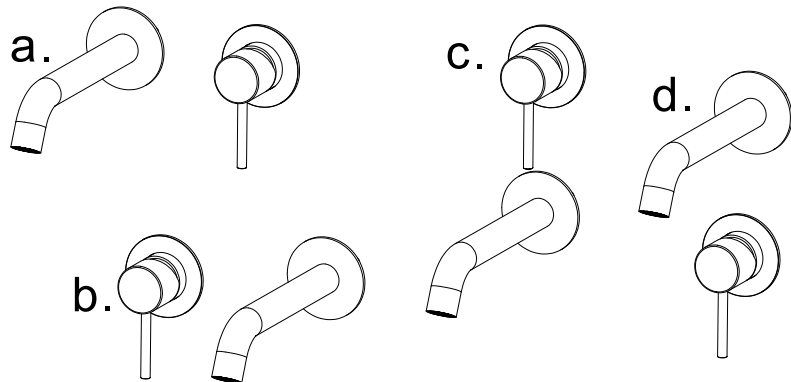
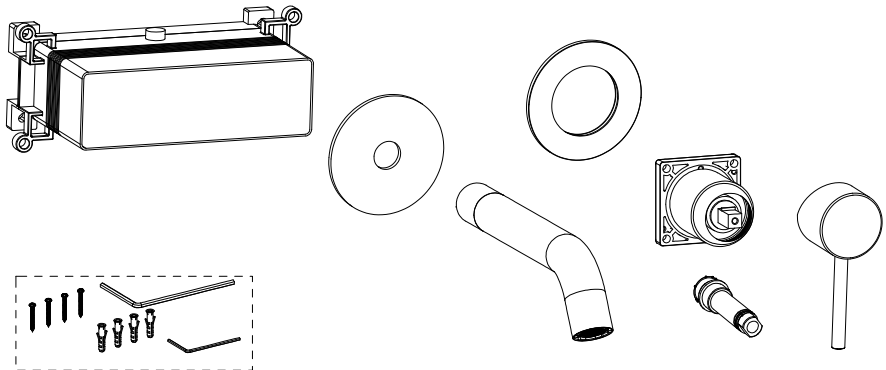
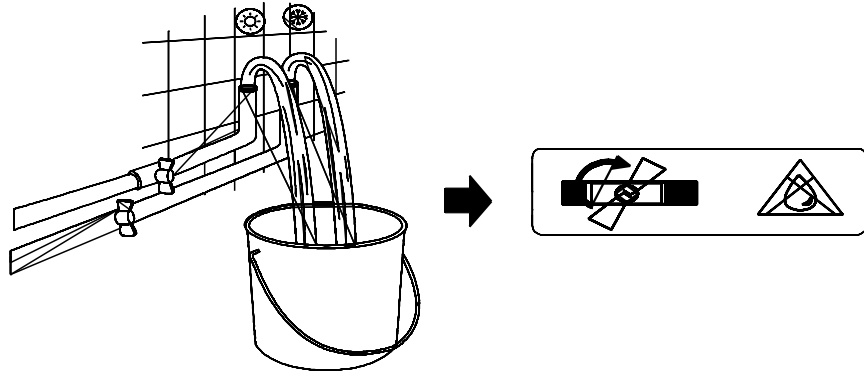
- incorrect installation.
- accidental or wilful misuse.
- inappropriate cleaning products.
- inadequate maintenance.
- chemical damage caused by system debris and build-up of limescale (any soapy water left on the surface of the product and not cleaned regular will affect the finish of the product.)
- physical damages like scratches.
- damage caused during repair work.
- water quality i.e. rusting water from the pipework need to be fully flushed out after use or water pressure issues.



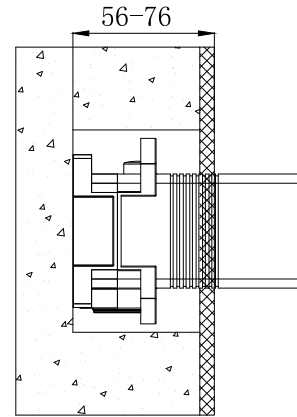
Concealed basin mixer Installation



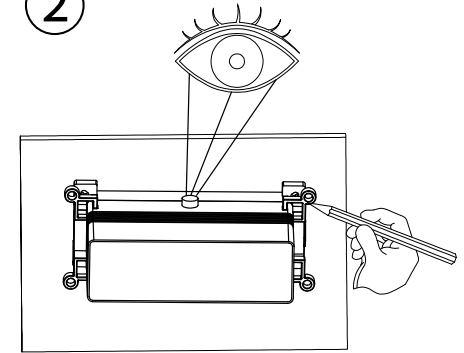
Tools You'll Need



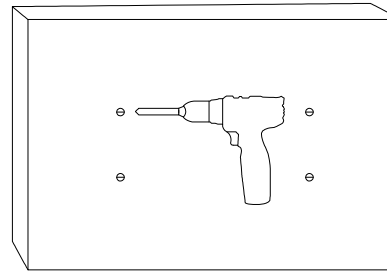
1



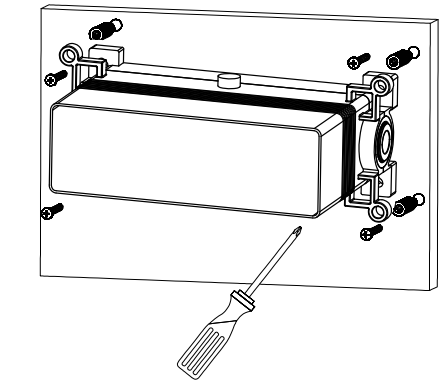
2



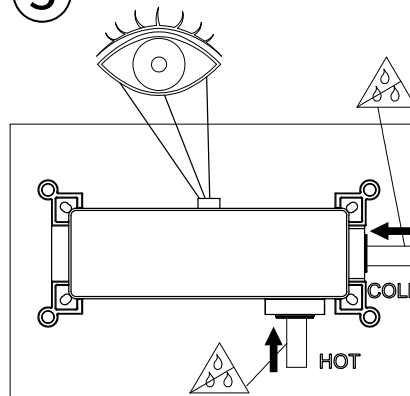
3



4



5



6

