

USER MANUAL



Thank you for choosing Better Bathrooms.
Please read this manual before installing your product
and keep for future reference.

better 
bathrooms

Product

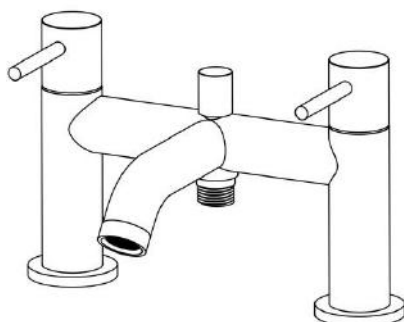
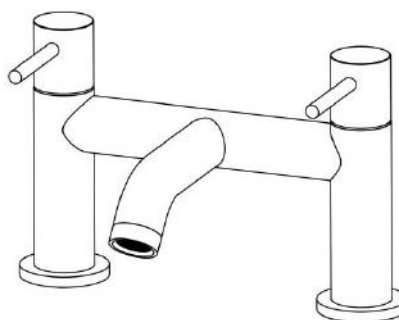
ARIMB005 - Arissa Matt Black Deck Mounted Bath Filler Tap

ARIBB005 - Arissa Brushed Brass Deck Mounted Bath Filler Tap

ARICH005 - Arissa Chrome Deck Mounted Bath Filler Tap

ARIMB006 - Arissa Matt Black Deck Mounted Bath Shower Mixer Tap

ARIBB006 - Arissa Brushed Brass Deck Mounted Bath Shower Mixer Tap



- **Single-person assembly**
- **Tools required**
- **We always recommend using professional tradespeople to install your product**

V2_3/9/2022

Congratulations on your purchase

And welcome to our growing gang of savvy shoppers

We're on a mission to bring you extraordinary bathroom products, for less. From modern to traditional style ceramics, plus the gorgeous fixtures, fittings and furniture to match. So, you can fall in love with your space every single day.

As one of the UK's largest independent bathroom stores, we've received countless awards; including the National Business Awards UK, the Digital Entrepreneur Awards and being placed on The Sunday Times Fast Track 100.

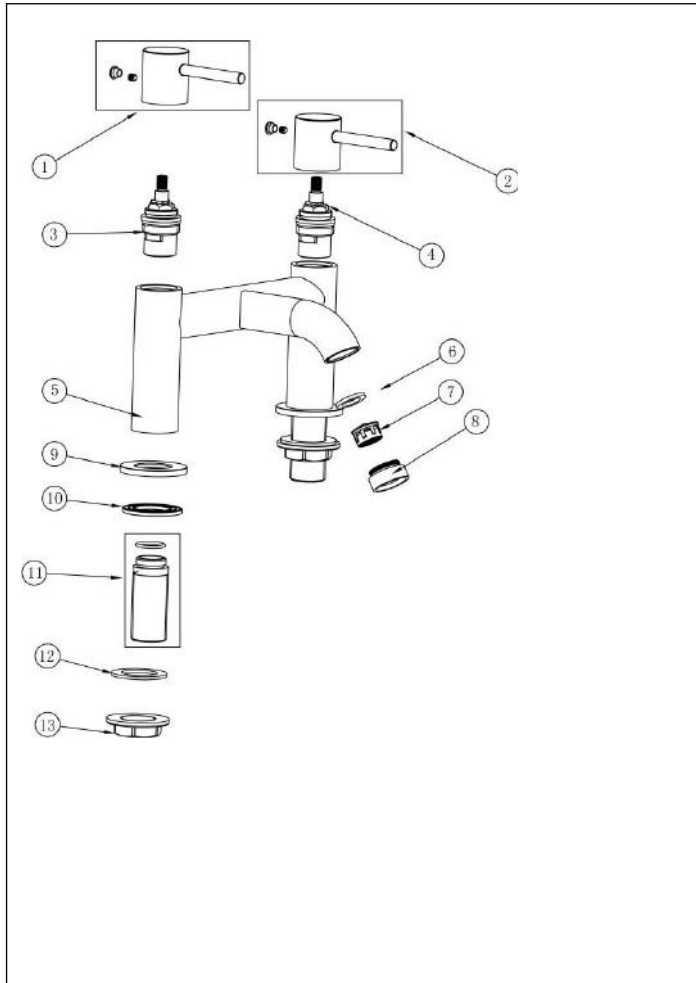
We hope your new product goes above and beyond your expectations. However, should any problems occur, please:

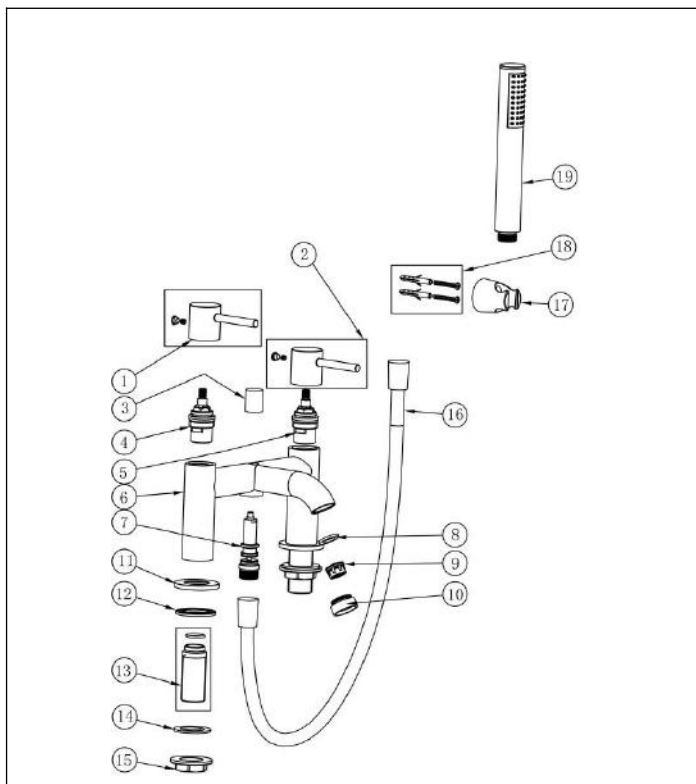
- log in to your account and contact our customer services team via your self-serve portal – betterbathrooms.com/Account/Login
- contact us via betterbathrooms.com/contact-us

Important information

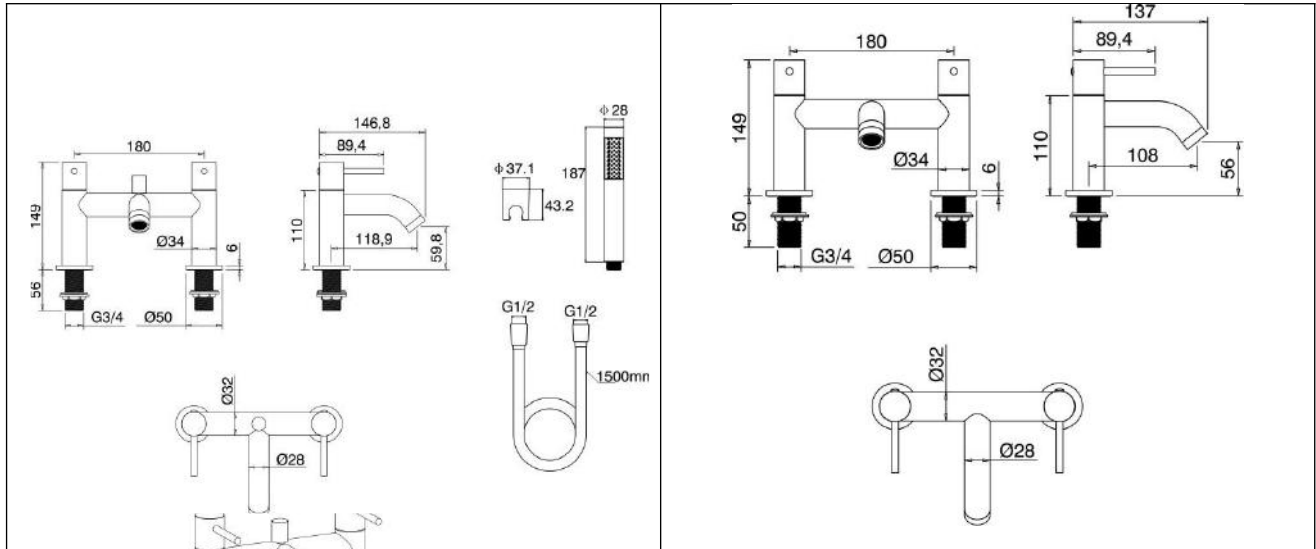
- Please read these instructions thoroughly and retain for future reference
- Installation must be carried out in compliance with The Water Fittings Regulations and Scottish Water Byelaws.
- The system must be flushed prior to installation
- Minimum and Maximum working pressure : 1 - 5 bar
- Pressures must be equal for optimum performance
- Please do not connect hot and cold water supply lines in reverse. This could result in hot water flowing from cold line and cause scalding.
- The feed-water temperature of water shall not exceed 85°C.
Exceeding 85° may cause scalding, the service life of faucets might be shortened, or the faucet might be damaged.
- After installation, please make sure the faucet is securely mounted and checked for leaks.

Parts / Diagrams

	No	Description
	1	Handle assembled(hot)
	2	Handle assembled(cold)
	3	Headwork hot supply
	4	Headwork cold supply
	5	Body
	6	Washer
	7	Aerator
	8	Housing
	9	Base
	10	Washer
	11	Leg assembled
	12	Washer
	13	Locknut

	No	Description	No	Description
	1	Handle assembled(hot)	11	Base
	2	Handle assembled(cold)	12	Washer
	3	Switch handle	13	Leg assembled
	4	Headwork hot supply	14	Washer
	5	Headwork cold supply	15	Locknut
	6	Body	16	Shower hose
	7	Divertor	17	Shower holder
	8	Washer	18	Wall Plug & Self-tapping screw
	9	Aerator	19	Handshower

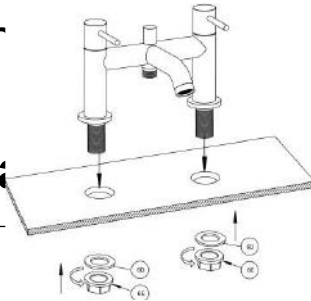
Dimensions



Tools r

- Drill
- Spar

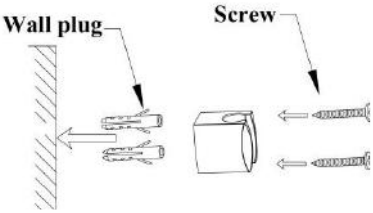
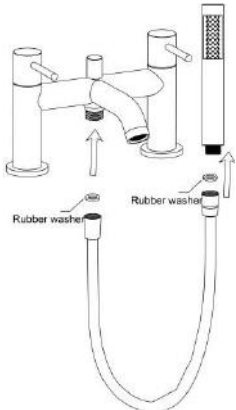
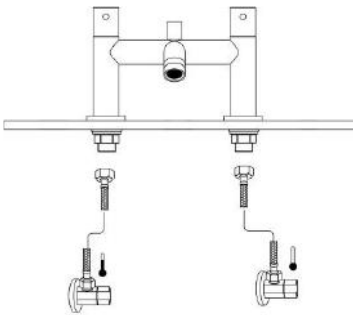
Install



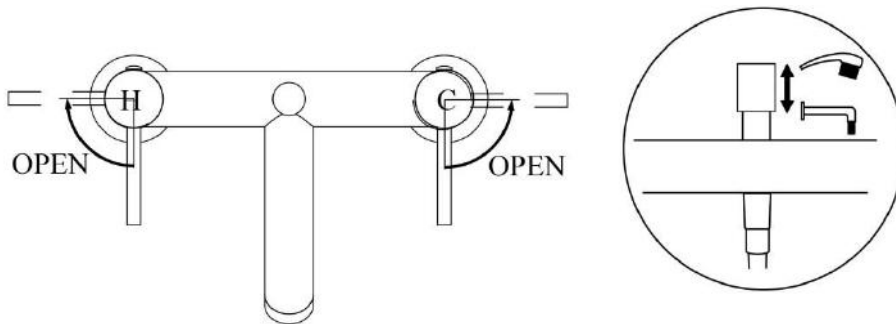
Remove the rubber gaskets(6D) and locknuts(6E) from the Legs.

From above, push the legs through holes on bathtub;

From underneath the bathtub, secure the mixer by fixing the rubber gaskets(6D) and locknuts(6E) onto the legs. Fasten the locknuts(6E).

 <p>Wall plug</p> <p>Screw</p>	<p>Refer to the installation hole dimension on the shower holder to drill two holes vertically on the wall surface.</p> <p>Drive the wall plugs into the hole. Install the fixing screws onto the shower holder.</p> <p>Place the shower holder on the wall surface being drilled beforehand and then fasten with the fixing screws.(Pay attention to ensure that the direction is correct.)</p>
 <p>Rubber washer</p> <p>Rubber washer</p>	<p>Connect the shower hose with the mixer body and hand shower. Pay attention that rubber washers should be contained in the nuts of the hose.</p>
	<p>Connect the hot and cold flexible hoses(not included) to the isolation valves(not included), hot on the left, cold on the right.</p> <p>Turn on water supply and check for leaks.</p>

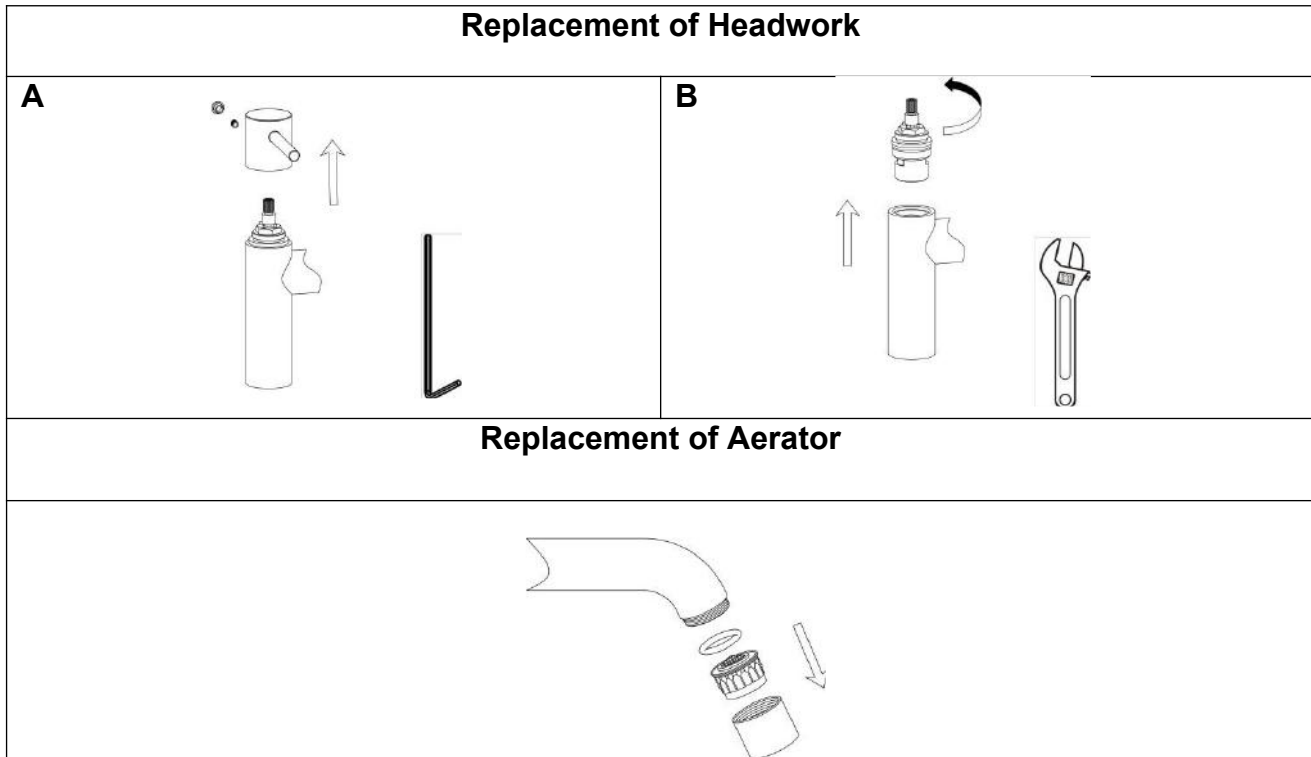
Operation



Troubleshooting

Issues	Inspection Item
Poor water flow	<p>Deck-mounted bath filler tap:</p> <ul style="list-style-type: none"> • Is there blockage within the filter mesh on aerator(7) • Was the system flushed prior to installation • Is the headwork(3,4) free from debris <p>Deck-mounted bath shower mixer tap:</p> <ul style="list-style-type: none"> • Is there blockage within the filter mesh on aerator(9) • Was the system flushed prior to installation • Is the headwork(4,5) free from debris
Water leak	<p>Deck-mounted bath filler tap:</p> <ul style="list-style-type: none"> • Is there damage or dirt within the O-rings of the headworks(3,4) • Is the headwork fully tighten by wrench(3,4) • Is there damage or dirt with the rubber washer(6) in the of aerator • Is the aerator housing(8) fully tightened • Is there damage within the rubber washer(10)under the base • Is there damage with the O-rings on the legs(11) <p>Deck-mounted bath shower mixer tap:</p> <ul style="list-style-type: none"> • Is there damage or dirt within the O-rings of the headworks(4,5) • Is the headwork fully tighten by wrench(4,5) • Is there damage or dirt with the rubber washer(8) in the of aerator • Is the aerator housing(10) fully tightened • Is there damage within the rubber washer(12)under the base • Is there damage with the O-rings on the legs(13) • Is there damage with the O-rings on divertor(7) • Is there damage within the rubber washer inside the nuts of shower hose(16)
Handle loose	<ul style="list-style-type: none"> • Is the screw inside the handle(1,2) fully tightened
Body loose	<p>Deck-mounted bath filler tap:</p> <ul style="list-style-type: none"> • Is the locknut(13) underneath fully tightened <p>Deck-mounted bath shower mixer tap:</p> <ul style="list-style-type: none"> • Is the locknut(15) underneath fully tightened

Maintenance



Cleaning

To maintain the surface of your product, wipe with a clean damp cloth and wipe dry, do not use any abrasive cleaning agents or materials. If any harsh chemicals come into contact with the surface of the product, rinse and wipe clean immediately.

For more information

- visit betterbathrooms.com
- email customerservices@buyitdirect.co.uk
- call 03303903062
- write to Trident Business Park, Neptune Way, Huddersfield, HD2 1UA

**better
bathrooms**

Part of the BuyItDirect Group