



Thank you for choosing Better Bathrooms.
Please read this manual before installing your product
and keep for future reference.

better 
bathrooms

Ashbourne Bath Panel

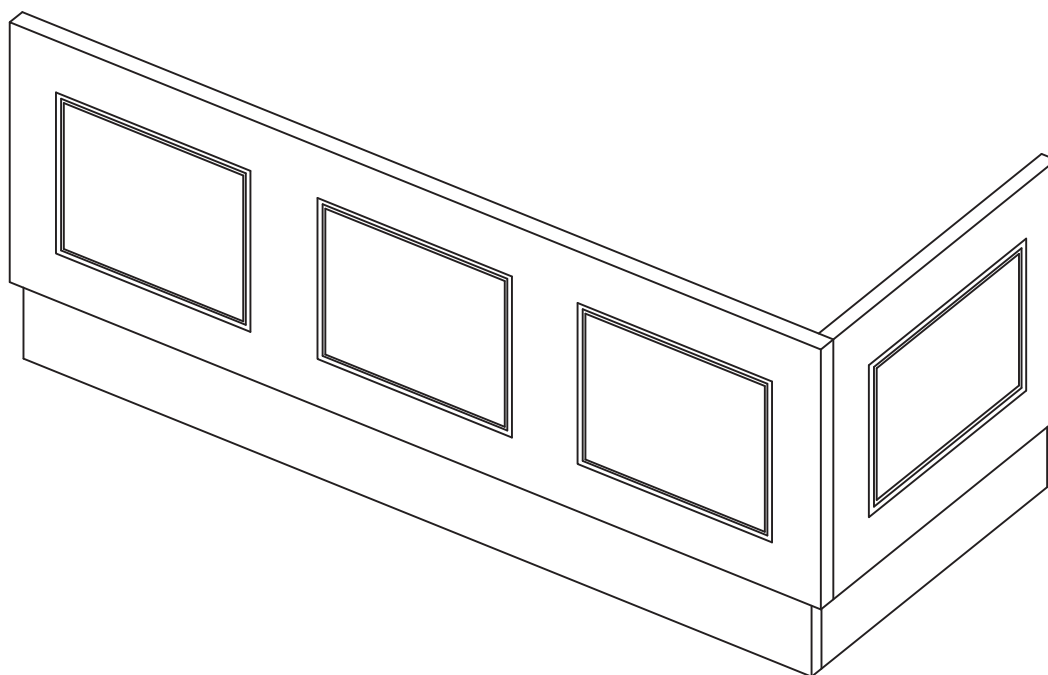
Ashbourne End Bath Panel

BeBa_27519/BeBa_27521/BeBa_27523

BeBa_27562/BeBa_27563/BeBa_27564

BeBa_27520/BeBa_27522/BeBa_27524

BeBa_27565/BeBa_27566/BeBa_27567



All furniture must be installed in a room with good ventilation and must be wiped dry after every use to prolong the life of the product.

- **Multi-person assembly**
- **We always recommend using professional tradespeople to install your product**

Congratulations on your purchase

And welcome to our growing gang of savvy shoppers

We're on a mission to bring you extraordinary bathroom products, for less. From modern to traditional style ceramics, plus the gorgeous fixtures, fittings and furniture to match. So, you can fall in love with your space every single day.

As one of the UK's largest independent bathroom stores, we've received countless awards; including the National Business Awards UK, the Digital Entrepreneur Awards and being placed on The Sunday Times Fast Track 100.

We hope your new product exceeds your highest expectations. However, if you experience any problems, please:

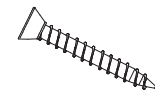
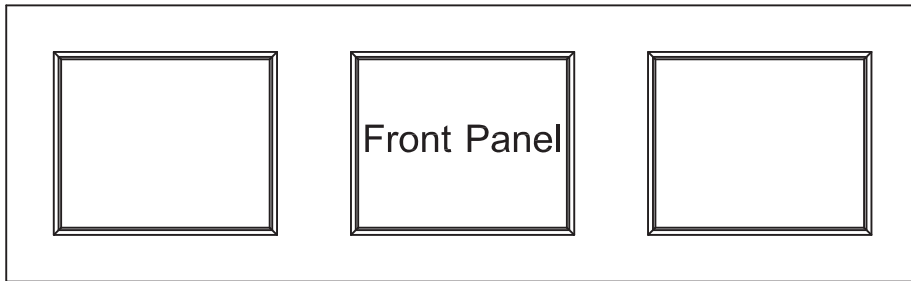
- call our friendly UK call centre on **03303903062** (9am-7pm Monday to Friday, or 10am-4pm Saturday and Sunday), or
- send us a message via **customerservices@buyitdirect.co.uk**

Important information

- Please read these instructions thoroughly and retain for future reference
- Please check for pipes and cables before drilling the wall

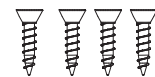
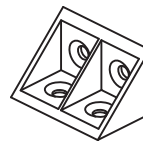
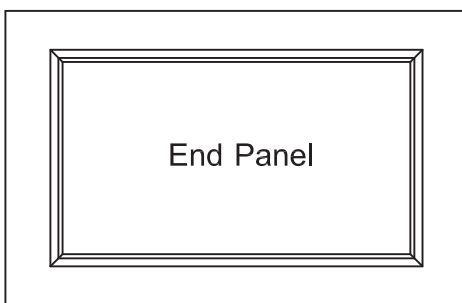


Please check you have all of these items in the box.
- dependant on your purchase



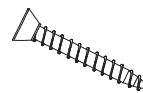
Ø4x25mm

8 PCS



Ø3.5x14mm

4 PCS

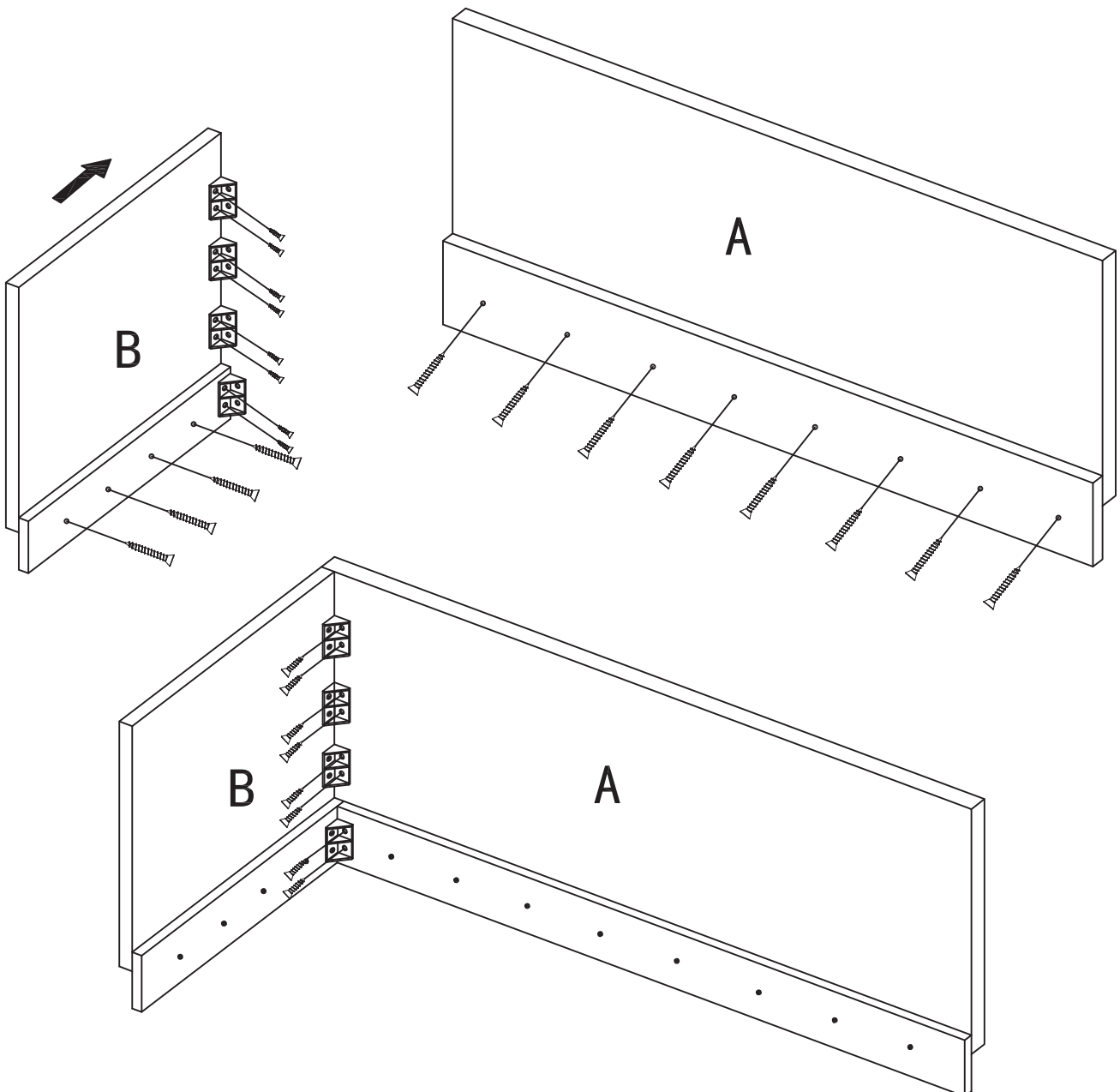


Ø4x25mm

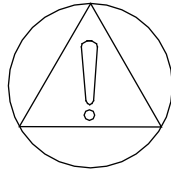
4 PCS

INSTALLATION PROCEDURE

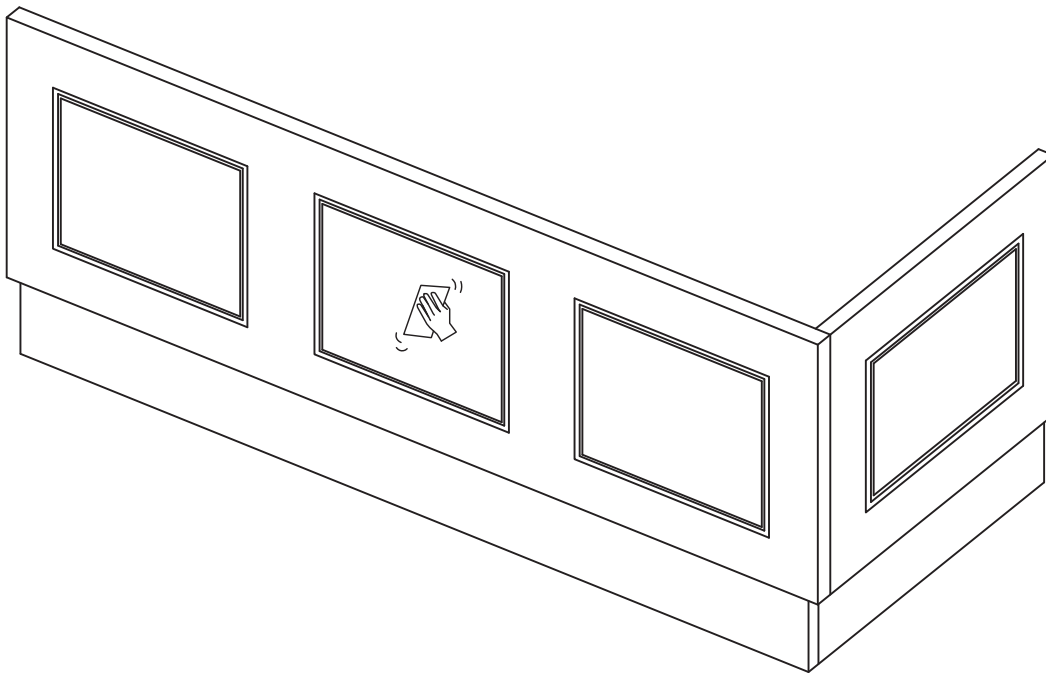
1. Measure from the underside of the bath rim to the floor to establish the height of the bath panel required.
2. Drill equally spaced holes along the plinth and screw to the bottom edge of the main panel at the desired height.
3. It is advisable that you build a frame or fit battens along the floor and down the wall sides to support the panel.
4. When an end panel is used it will be necessary to trim the width. Any trimming should be done at the wall end to ensure that the finished edge is at the visible corner. The front and end panels are fixed together using the brackets and screws provided in the end panel box.
5. Any cut or trimmed edges should be sealed to prevent water ingress. It is also advisable to seal all the outer edges of the panels.



Cleaning



- Clean with a soft cloth & warm soapy water only
- Do not use abrasive cleaning agents
- Dry unit with a cloth after use



For more information

- visit betterbathrooms.com
- email customerservices@buyitdirect.co.uk
- call 03303903062
- write to Trident Business Park, Neptune Way, Huddersfield, HD2 1UA

better 
bathrooms

Part of the BuyItDirect Group