

USER MANUAL

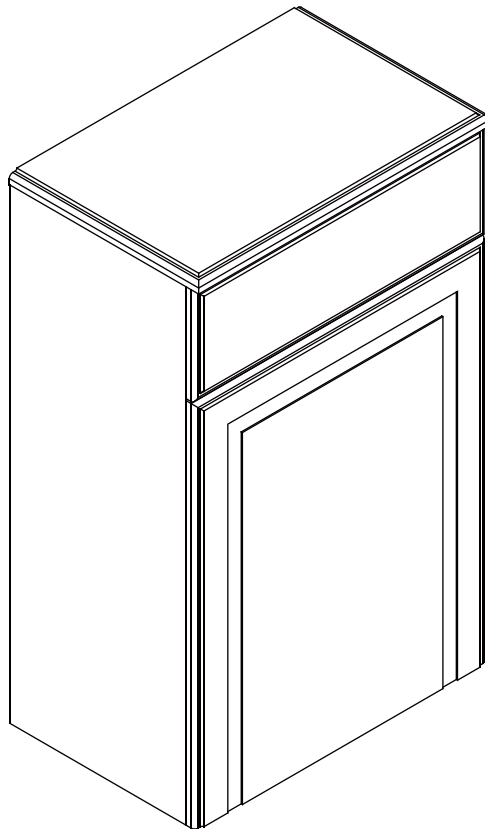


Thank you for choosing Better Bathrooms.
Please read this manual before installing your product
and keep for future reference.

better 
bathrooms

Westbury 500mm WC Unit

BeBa_27054/BeBa_27055/BeBa_27056



- **Multi-person assembly**
- **We always recommend using professional tradespeople to install your product**

Congratulations on your purchase

And welcome to our growing gang of savvy shoppers

We're on a mission to bring you extraordinary bathroom products, for less. From modern to traditional style ceramics, plus the gorgeous fixtures, fittings and furniture to match. So, you can fall in love with your space every single day.

As one of the UK's largest independent bathroom stores, we've received countless awards; including the National Business Awards UK, the Digital Entrepreneur Awards and being placed on The Sunday Times Fast Track 100.

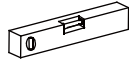
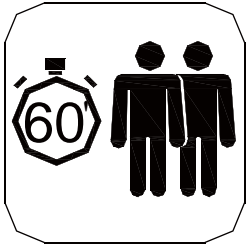
We hope your new product exceeds your highest expectations. However, if you experience any problems, please:

- call our friendly UK call centre on **03303903062** (9am-7pm Monday to Friday, or 10am-4pm Saturday and Sunday), or
- send us a message via **customerservices@buyitdirect.co.uk**

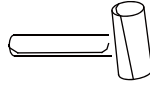
Important information

- Please read these instructions thoroughly and retain for future reference
- Please check for pipes and cables before drilling the wall

Tools required(Tools not provided)



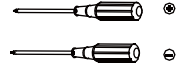
Spirit Level



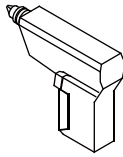
Hammer



Pencil



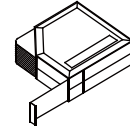
Screw Driver



Electric Drill

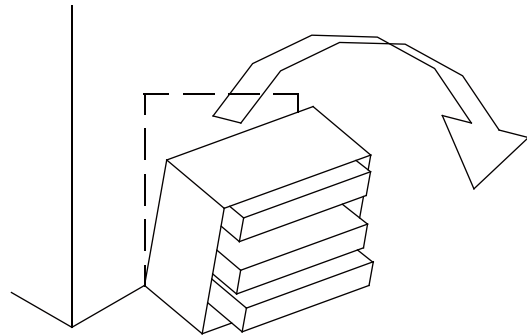
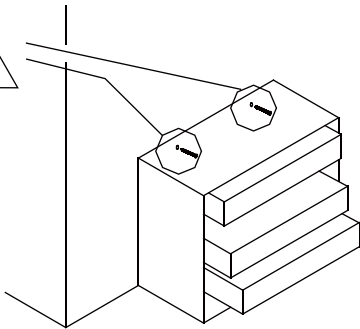
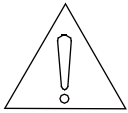


Drill Bit



Tape

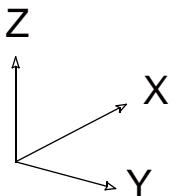
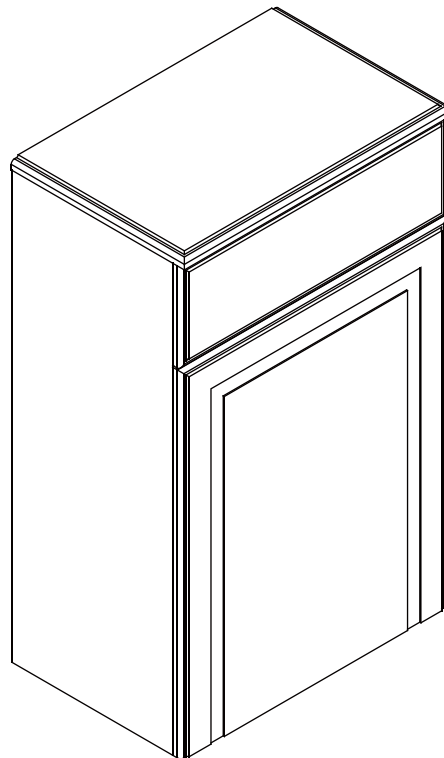
Important information Please read carefully.Keep this information for further reference.
Serious or fatal crushing injuries can occur if furniture is not secured correctly.To prevent furniture from tipping over it must be permanently fixed to the wall.
Fittings for the wall are not included since different wall materials require different types of fittings .
Use fittings suitable for the walls in your home.For advice on suitable fittings,contact your local dealer.



x=502mm

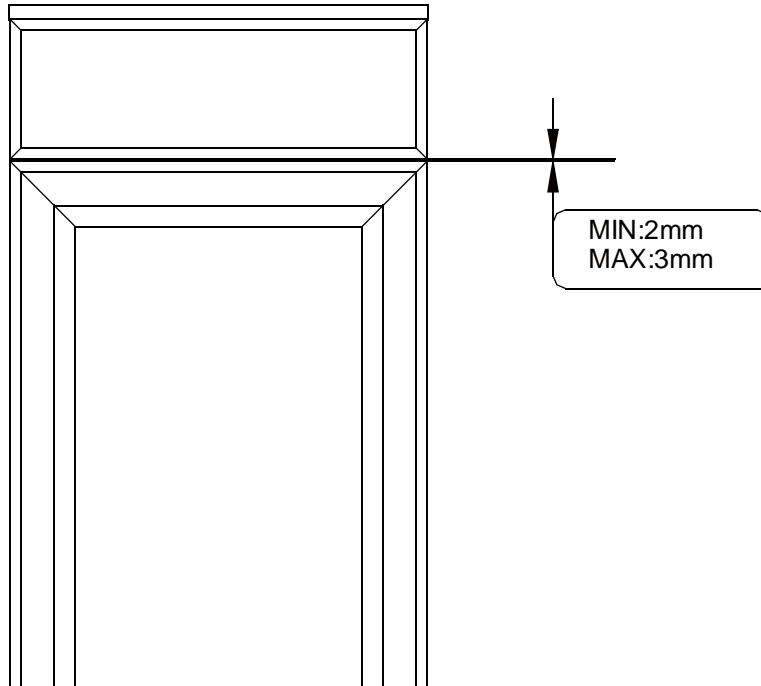
y=325mm

z=818mm

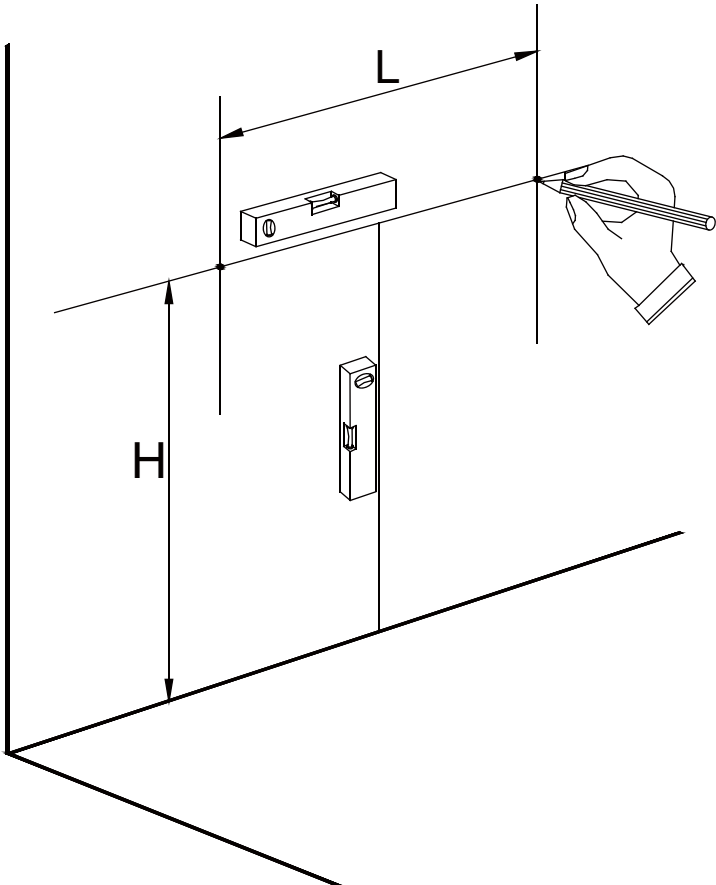
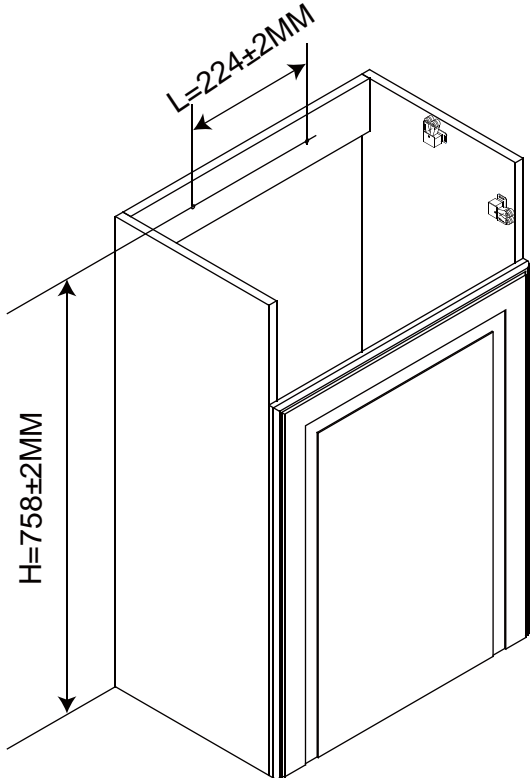
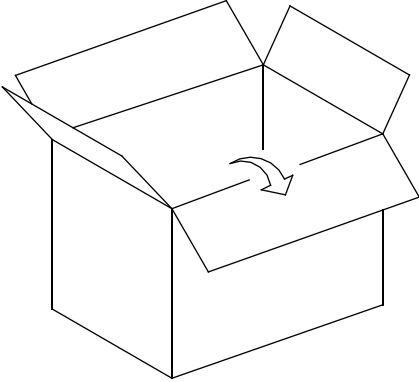


Installation

Gap Adjustment

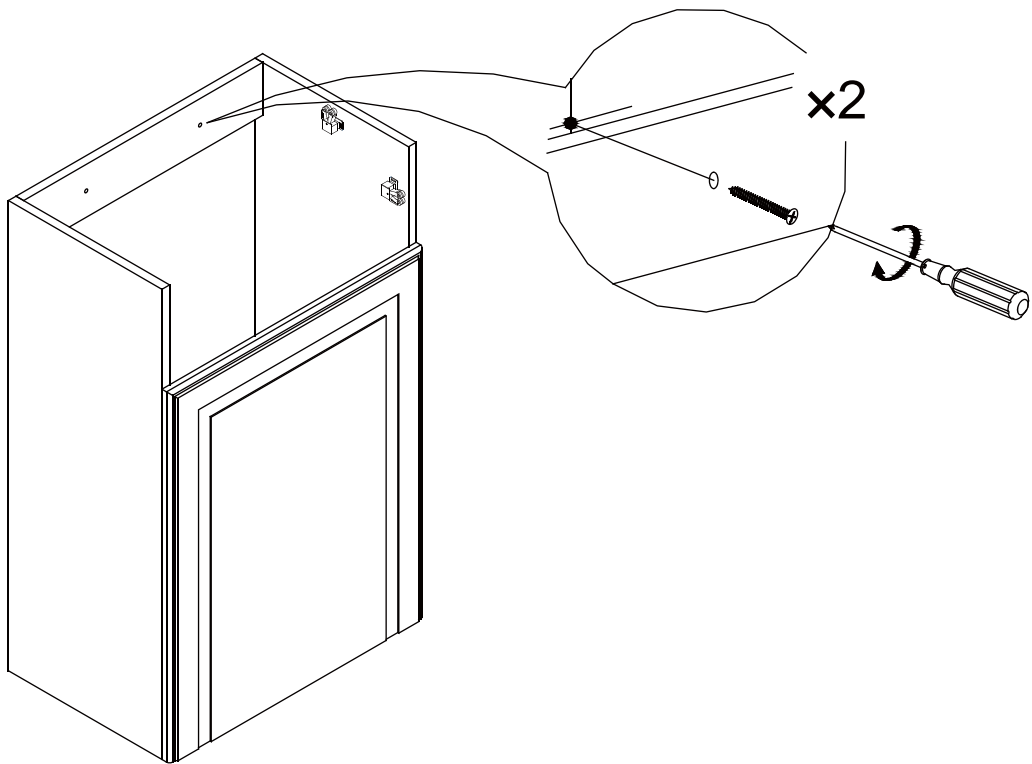
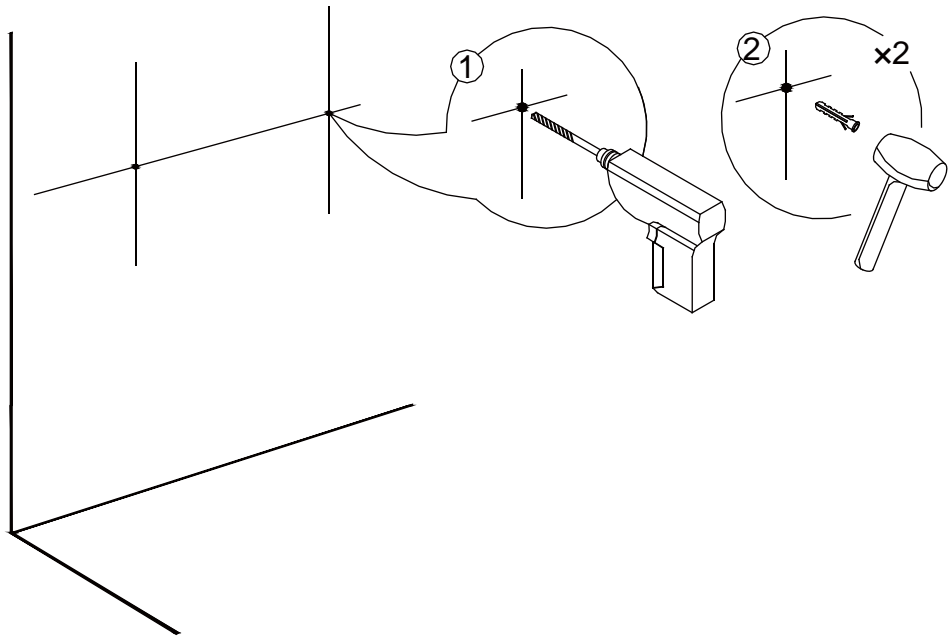


01

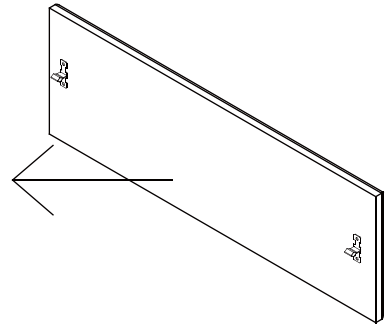
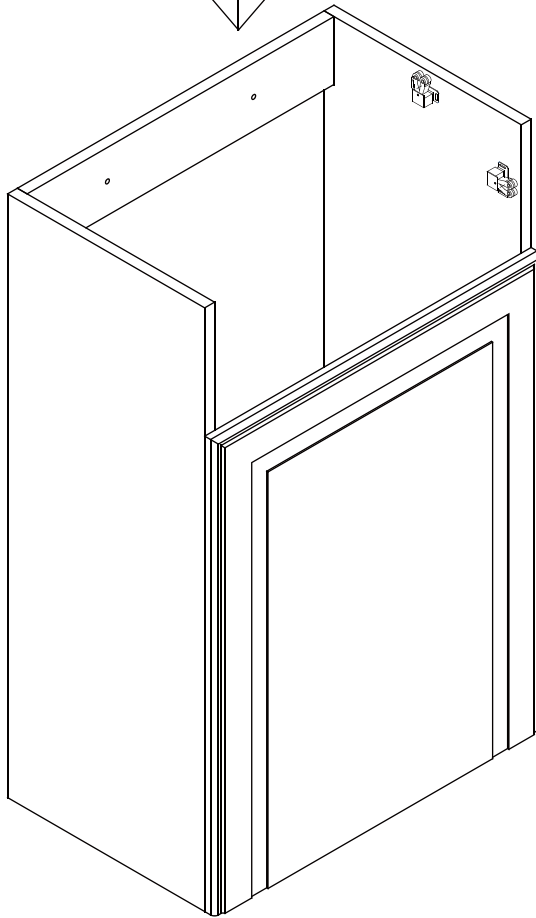


02

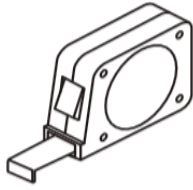
Please note - wall fixings are not supplied
These can be purchased from a local DIY store



03



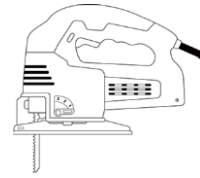
TOOLS REQUIRED



Tape Measure

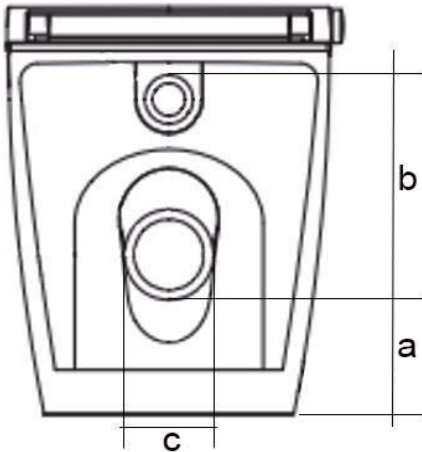


Pencil

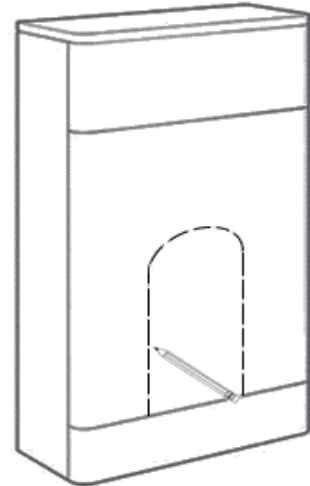


Saw

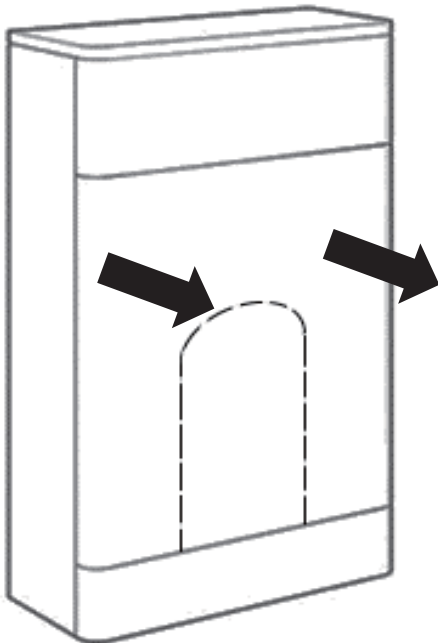
INSTALLATION INSTRUCTIONS



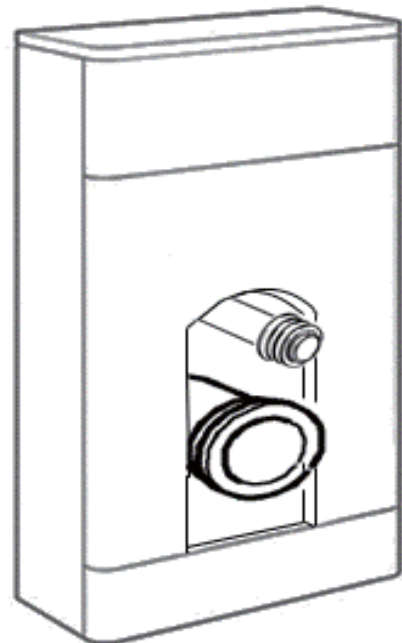
Measure the height from the floor to height a then measure height b and allow 5mm tolerance, then measure width c and allow 5mm



Mark these dimensions on to the front panel of the unit using a pencil



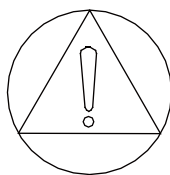
Remove the front panel from the unit and cut the hole to allow the waste pipe and flush pipe to pass from the cistern



It is recommended to seal the cut edge and bottom edge of the unit, to protect against moisture ingress

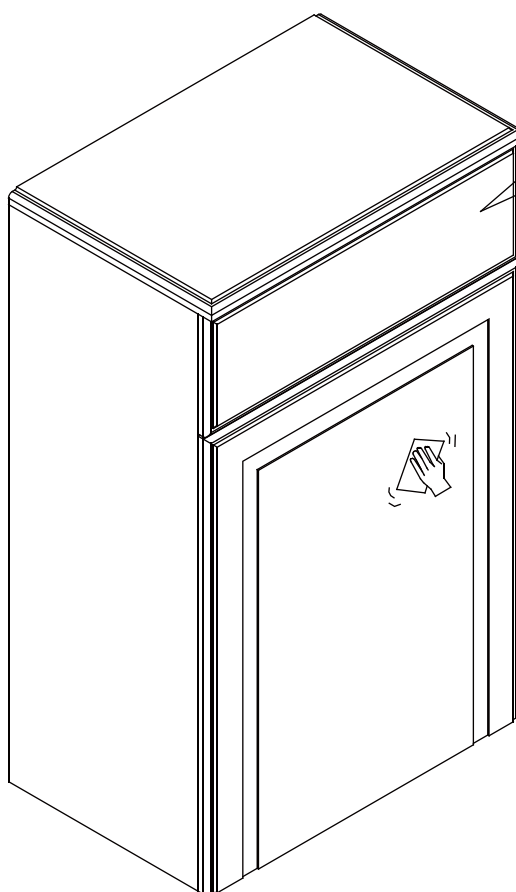
Furniture should be maintained using a clean cloth with no harsh abrasive cleaning agents/materials
All furniture should be wiped dry if they become wet

Cleaning



- Clean with a soft cloth & warm soapy water only
- Do not use abrasive cleaning agents
- Dry unit with a cloth after use

The location of the push button can be selected by the customer, the hole should be drilled then sealed to prevent moisture penetration



For more information

- visit betterbathrooms.com
- email customerservices@buyitdirect.co.uk
- call 03303903062
- write to Trident Business Park, Neptune Way, Huddersfield, HD2 1UA

**better
bathrooms**

Part of the BuyItDirect Group