

# USER MANUAL



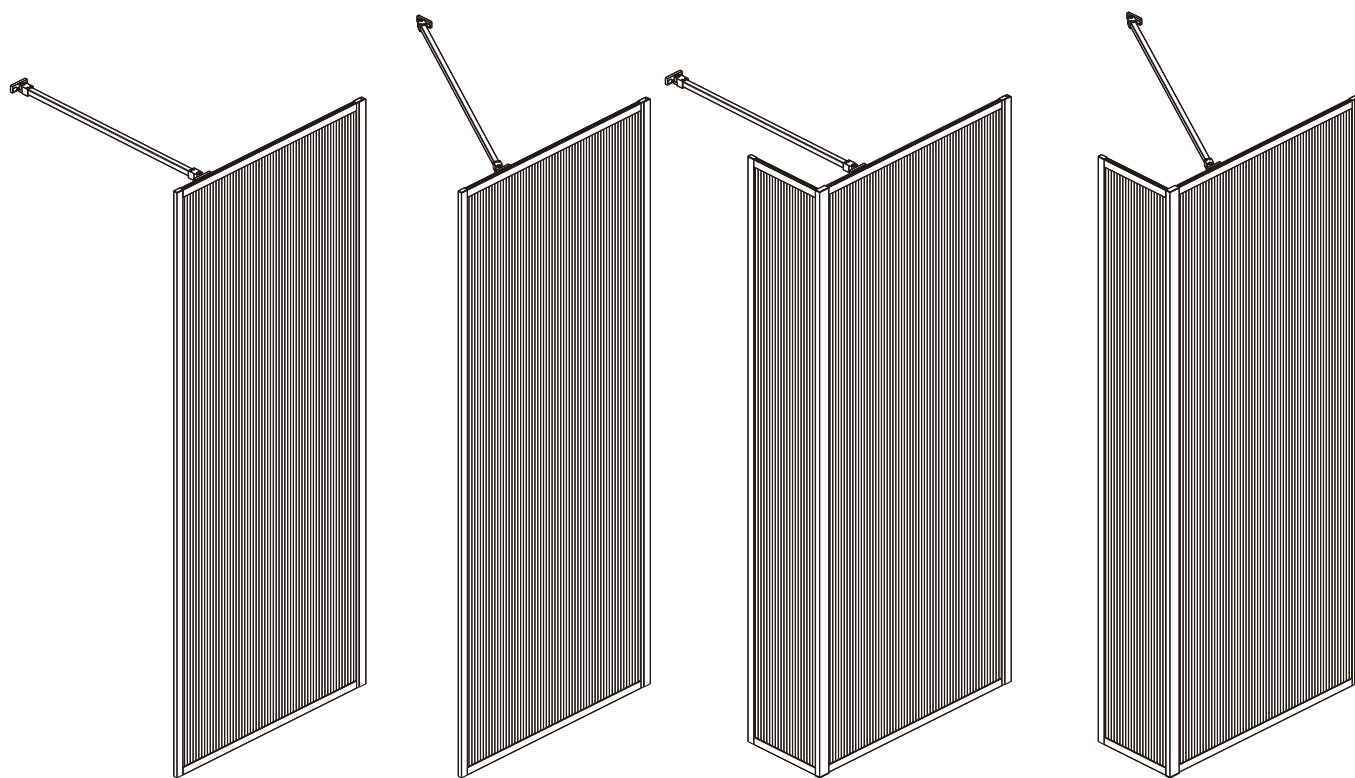
Thank you for choosing Better Bathrooms.  
Please read this manual before installing your product  
and keep for future reference.

**better**   
**bathrooms**

**PRODUCT NAME – VOLAN**

**PRODUCT CODE – BEBA\_26118~BEBA\_26123**

**BEBA\_27494 & BEBA\_26126**



- **Two-person assembly**
- **We always recommend using professional tradespeople to install your product**

# Congratulations on your purchase

*And welcome to our growing gang of savvy shoppers*

We're on a mission to bring you extraordinary bathroom products, for less. From modern to traditional style ceramics, plus the gorgeous fixtures, fittings and furniture to match. So, you can fall in love with your space every single day.

As one of the UK's largest independent bathroom stores, we've received countless awards; including the National Business Awards UK, the Digital Entrepreneur Awards and being placed on The Sunday Times Fast Track 100.

We hope your new product exceeds your highest expectations. However, if you experience any problems, please:

- call our friendly UK call centre on 03303903062 (9am-7pm Monday to Friday, or 10am-4pm Saturday and Sunday), or
- send us a message via **customerservices@buyitdirect.co.uk**

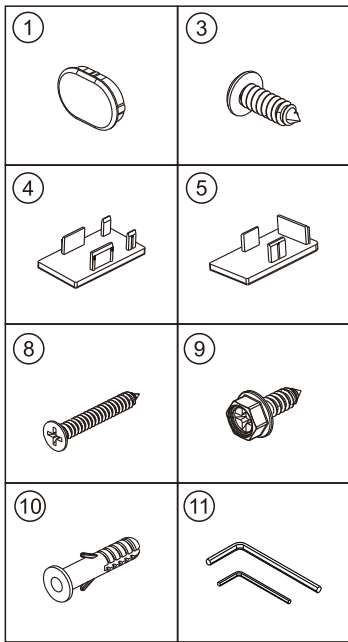
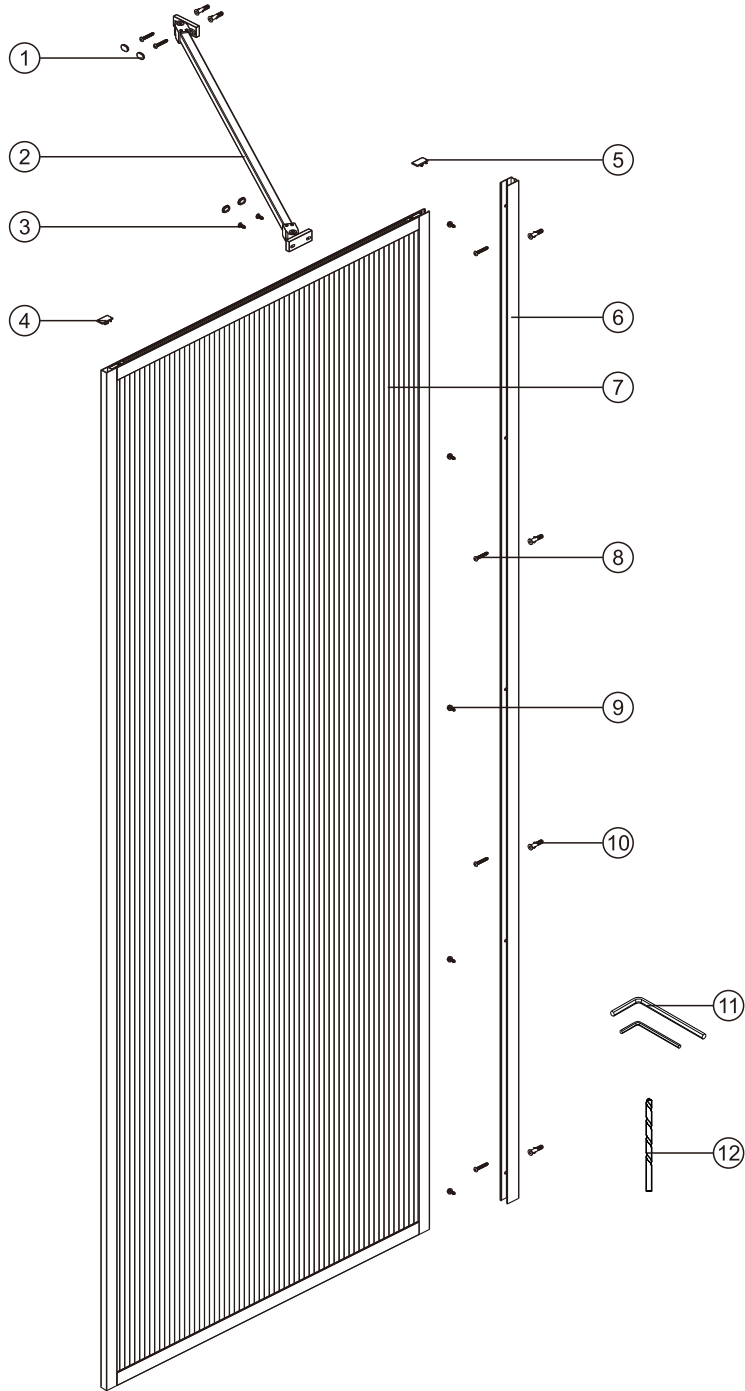
## Important information

- Please read these instructions thoroughly and retain for future reference
- Thoroughly inspect your product before proceeding with the installation.
- The warranty will be void if the products installed with a conspicuous defect
- Before commencing drilling please check that no pipes or cables can be damaged.

## CAUTION

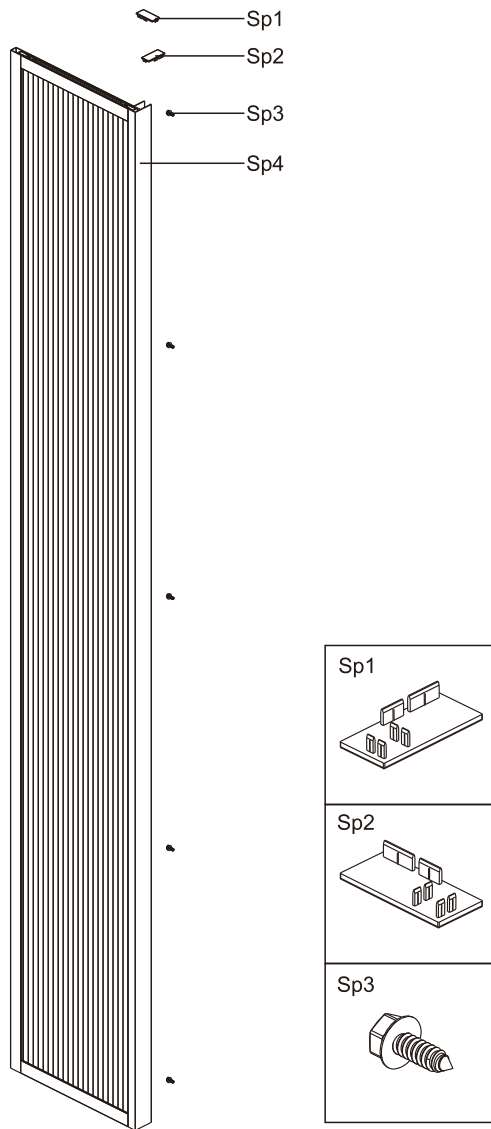
- To prevent leaks, silicone must be applied on the outside of the shower and not on the inside
- Read all instructions carefully before starting the installation
- Save this manual for future reference.

# PARTS LIST



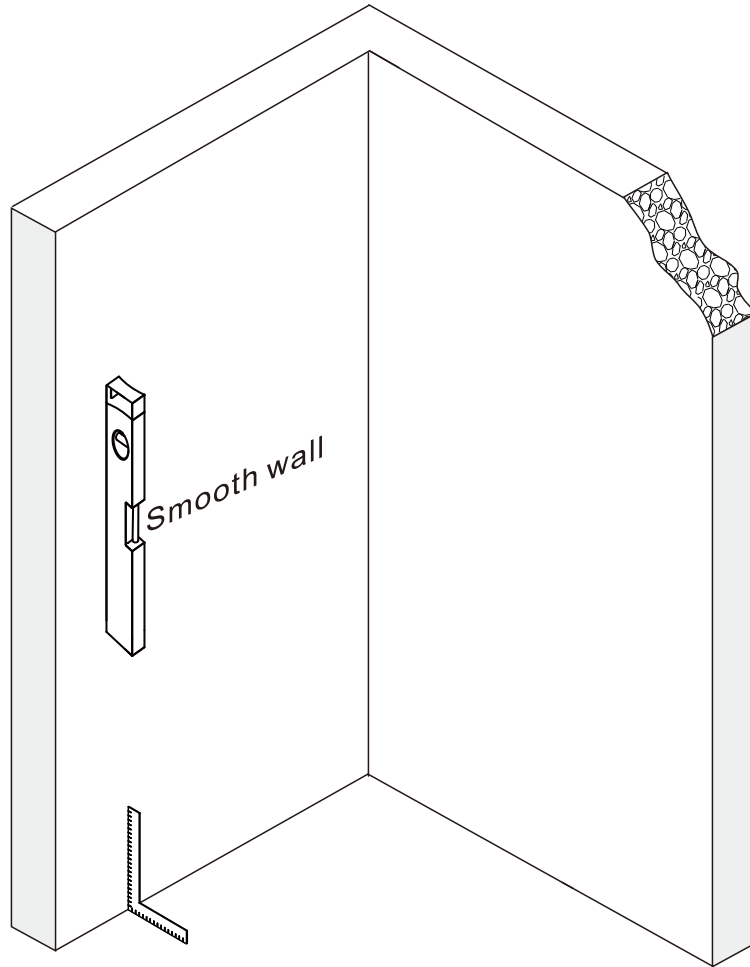
NO	Qty	Description	NO	Qty	Description
1	4	Screw cap	7	1	Fixed glass
2	1	Bracing bar	8	6	Screw ST4X30
3	2	Screw ST4X12	9	5	Screw ST4X12
4	1	Profile cap	10	6	Wall anchor
5	1	Profile cap	11	2	Allan key kit
6	1	Wall profile	12	1	Drill dit

# PARTS LIST

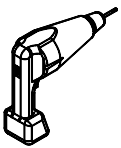


NO	Qty	Description
SP1	1	Profile cap L
SP2	1	Profile cap R
SP3	5	Screw ST4X12
SP4	1	Fixed glass

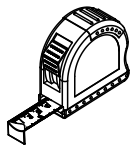
# Preparation



# Tools required



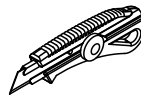
PERCEUSE  
DRILL



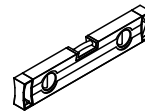
RUBAN À MESURER  
MEASURING TAPE



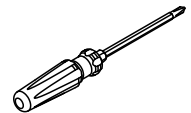
SILICONE  
SILICONE



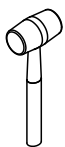
COUTEAU DE PRECISION  
PRECISION KNIFE



NIVEAU  
LEVEL



TOURNEVIS  
SCREWDR



MAILLET  
MALLET



ÉQUERRE  
SET SQUARE



CRAYON  
PENCIL



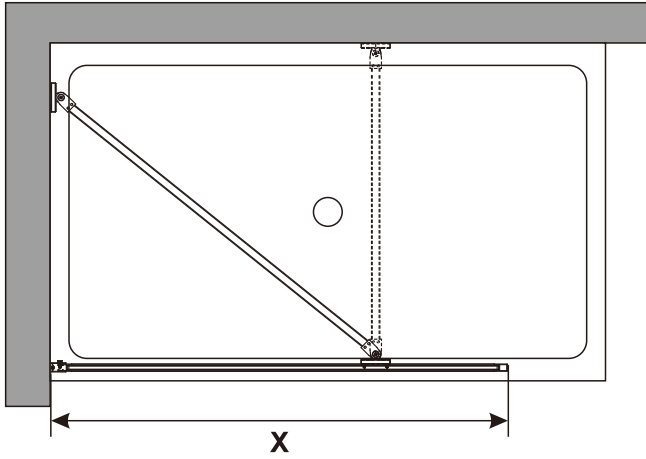
FORETS: 1/8", 3/16" ET 1/4"  
\*FORET À MAÇONNERIE  
DRILL BITS: 1/8", 3/16" ET 1/4"  
\*MASONRY DRILL BIT



VIS  
SCREWS

# Installation

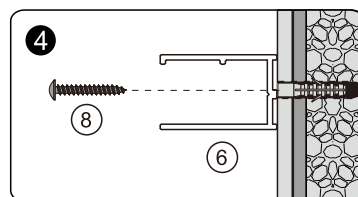
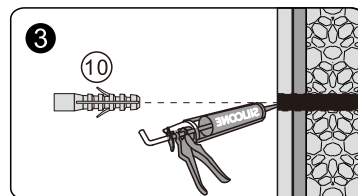
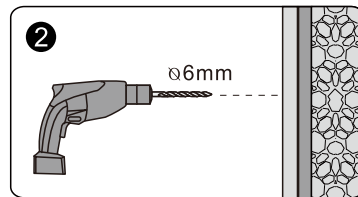
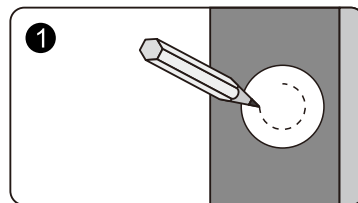
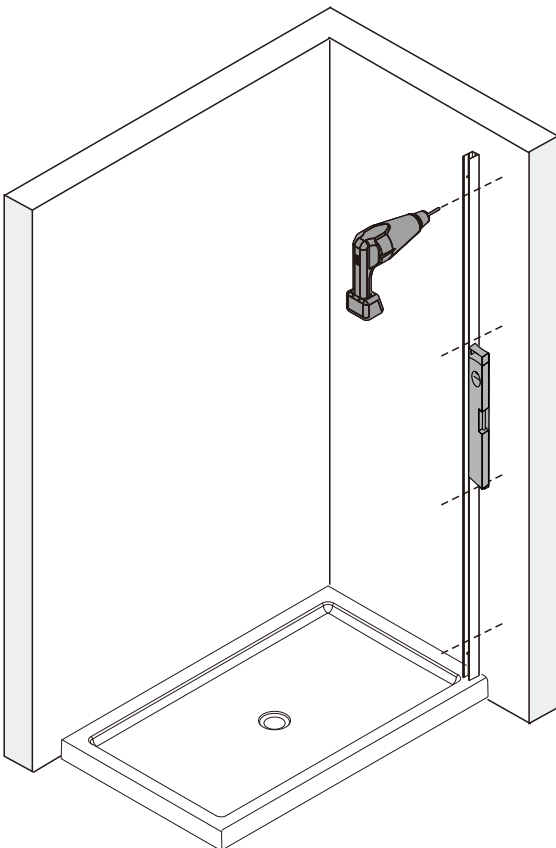
**A** 01



size	X,mm
700	680 - 690
800	780 - 790
900	880 - 890
1000	980 - 990
1100	1080 - 1090
1200	1180 - 1190
1400	1380 - 1390

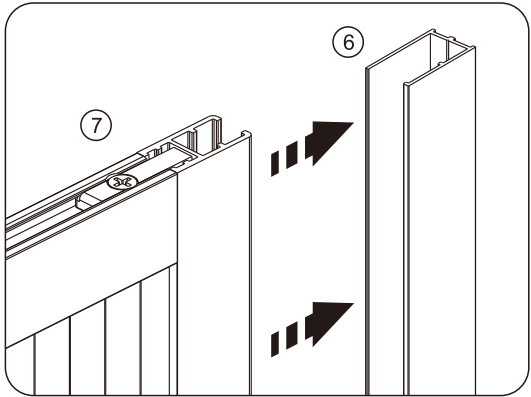
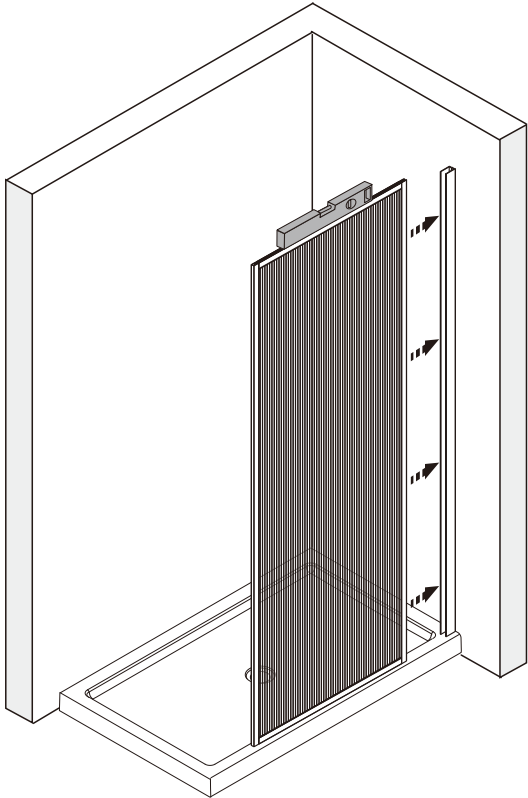
## Continue

**A** 02



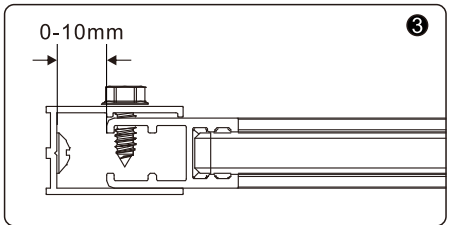
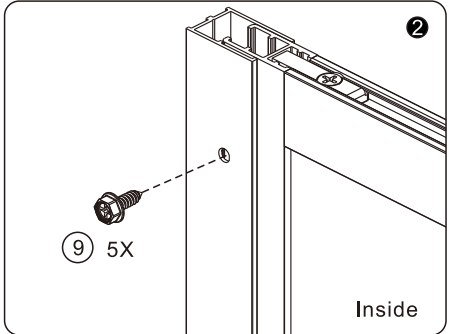
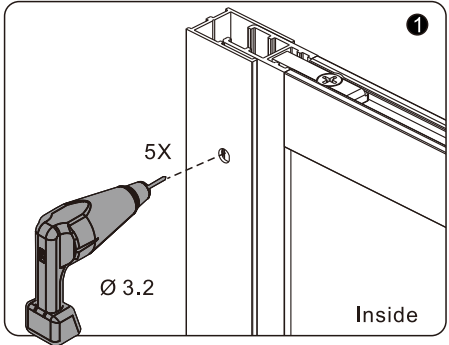
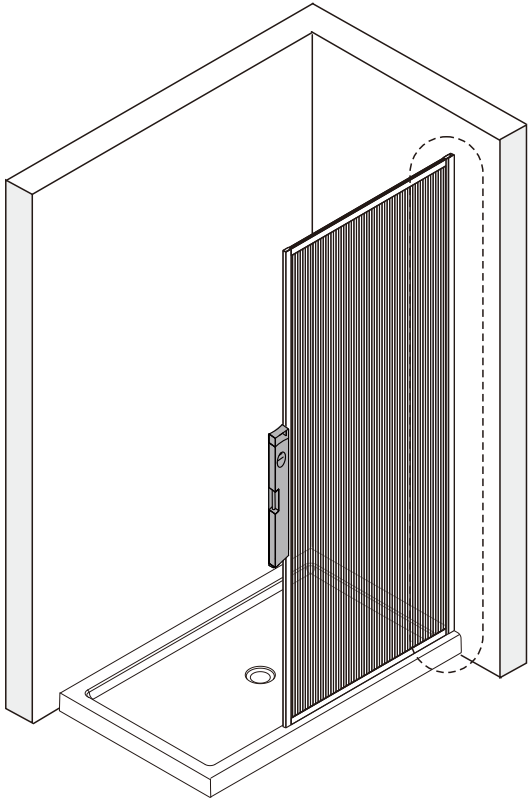
Continue

**A** 03

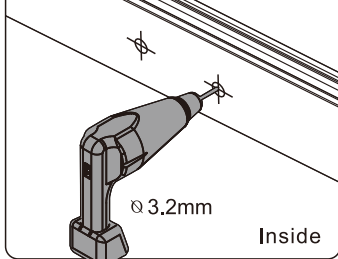
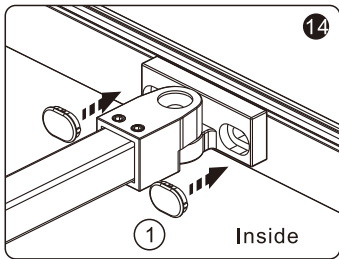
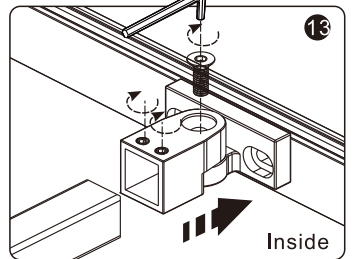
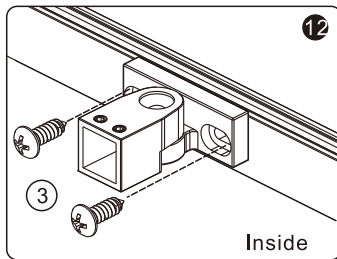
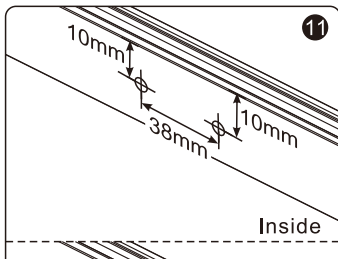
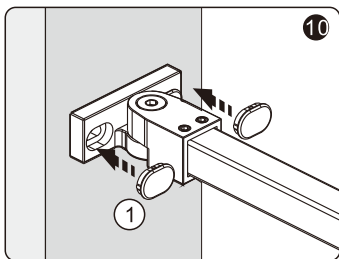
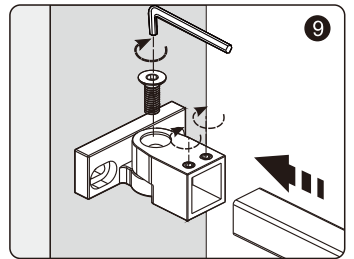
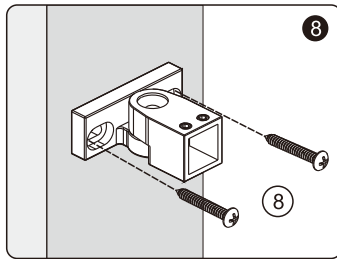
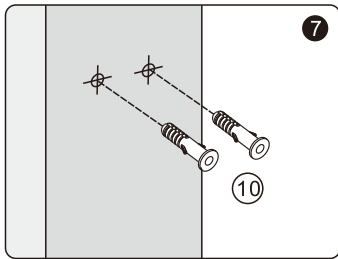
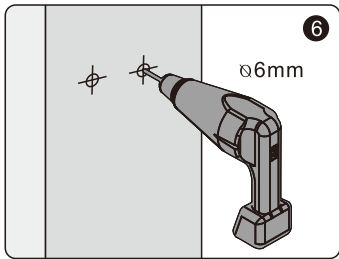
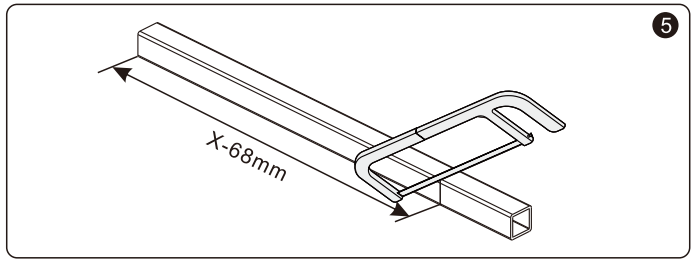
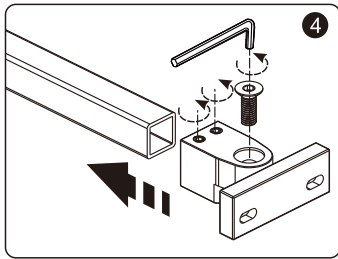
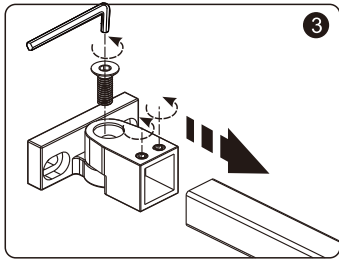
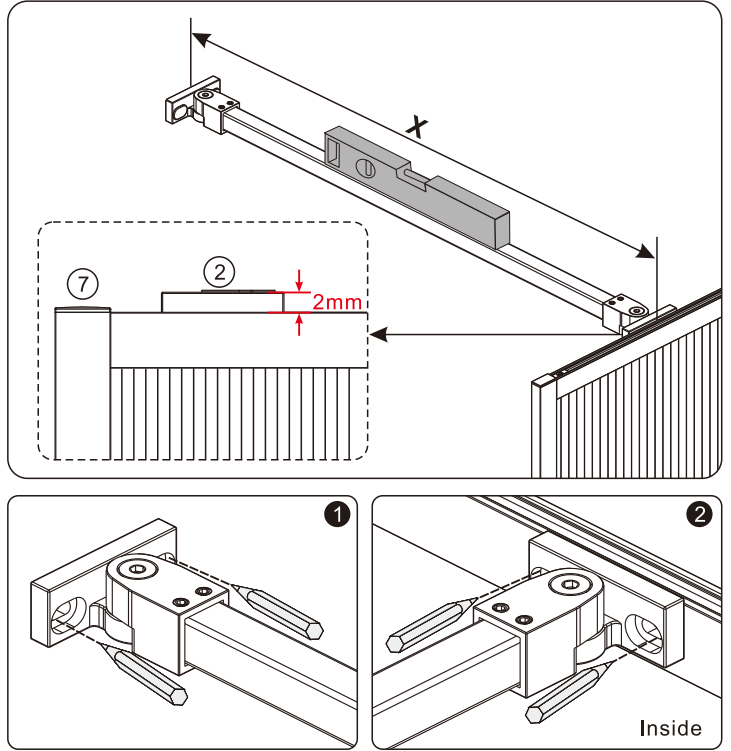
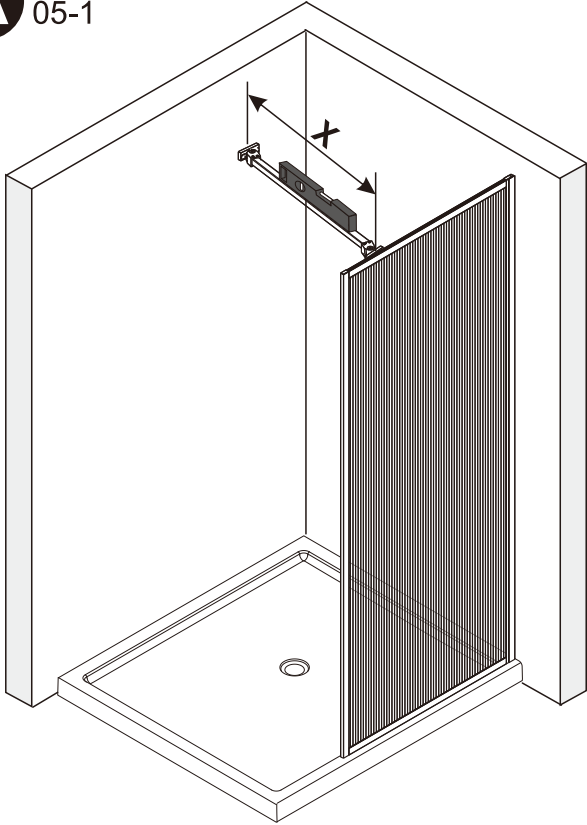


Continue

**A** 04

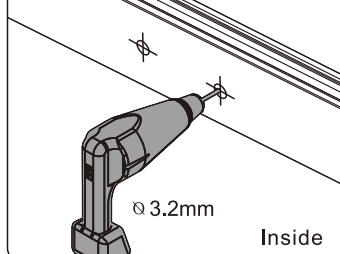
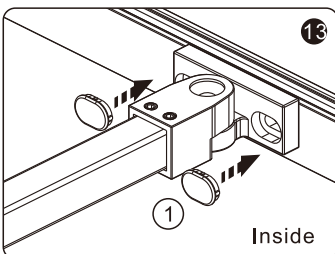
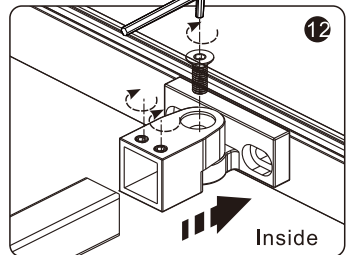
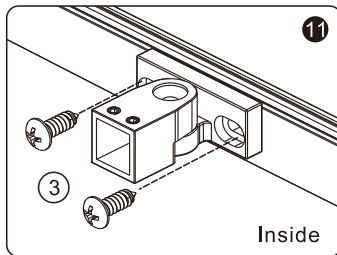
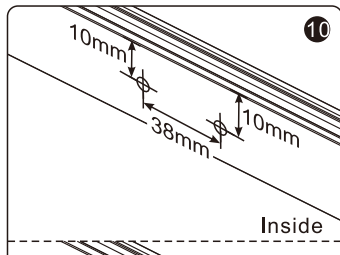
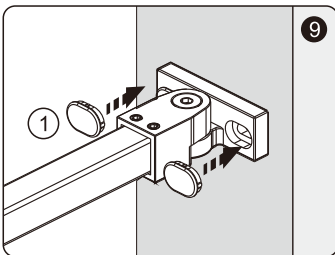
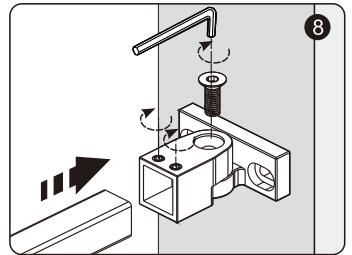
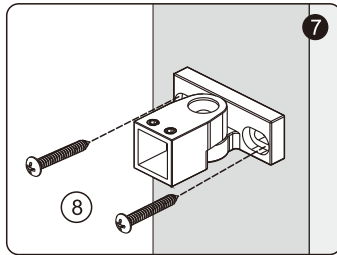
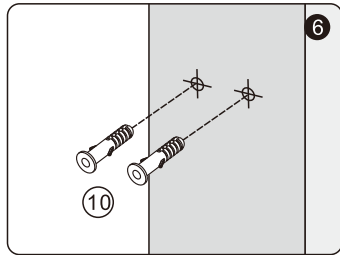
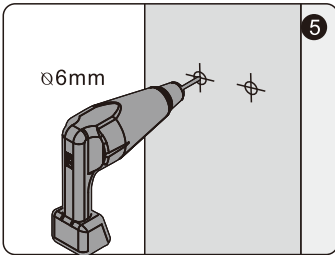
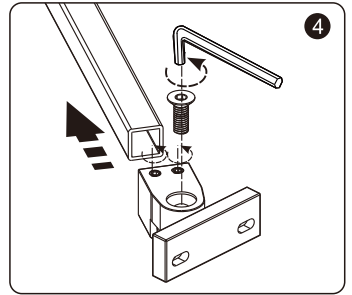
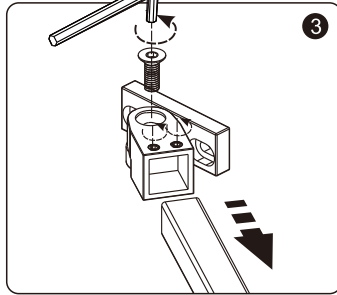
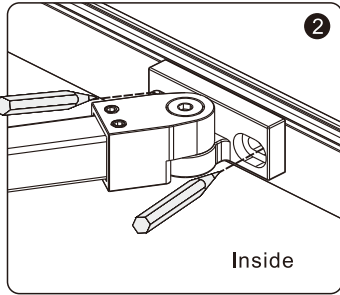
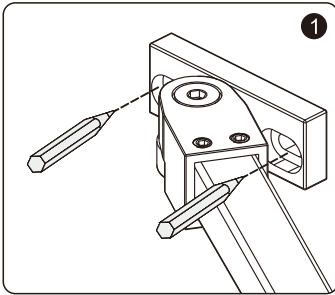
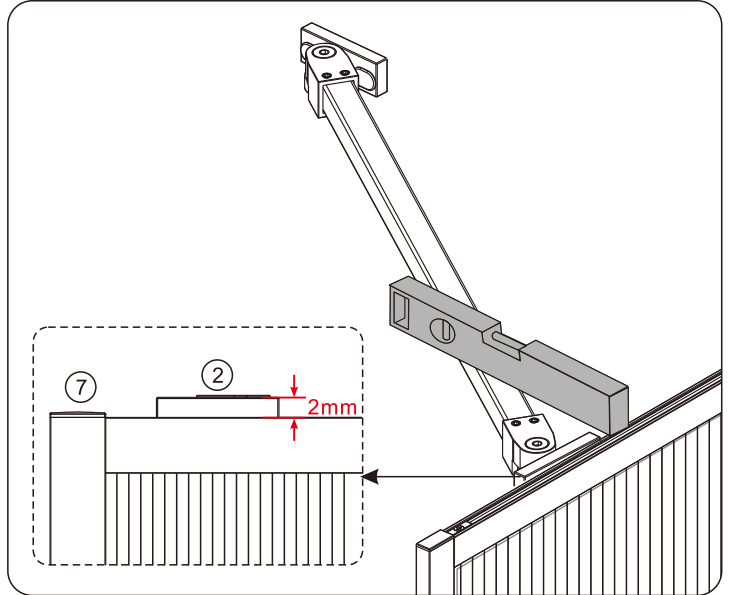
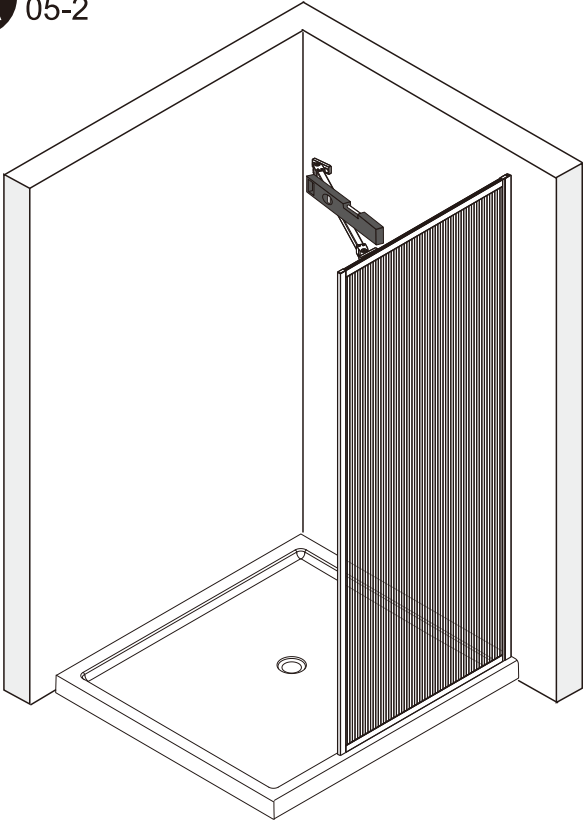


**A** 05-1

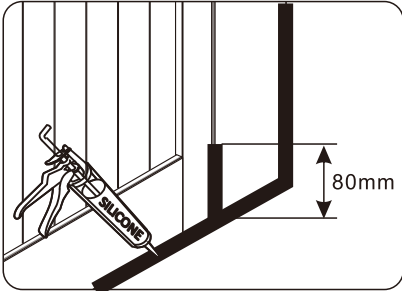
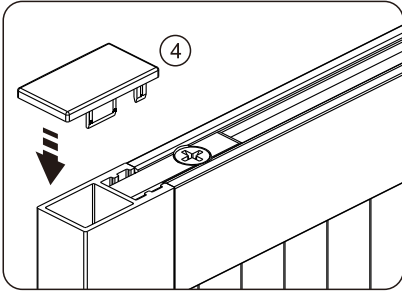
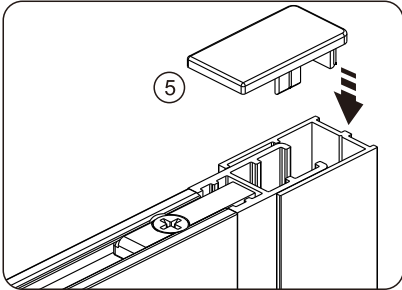
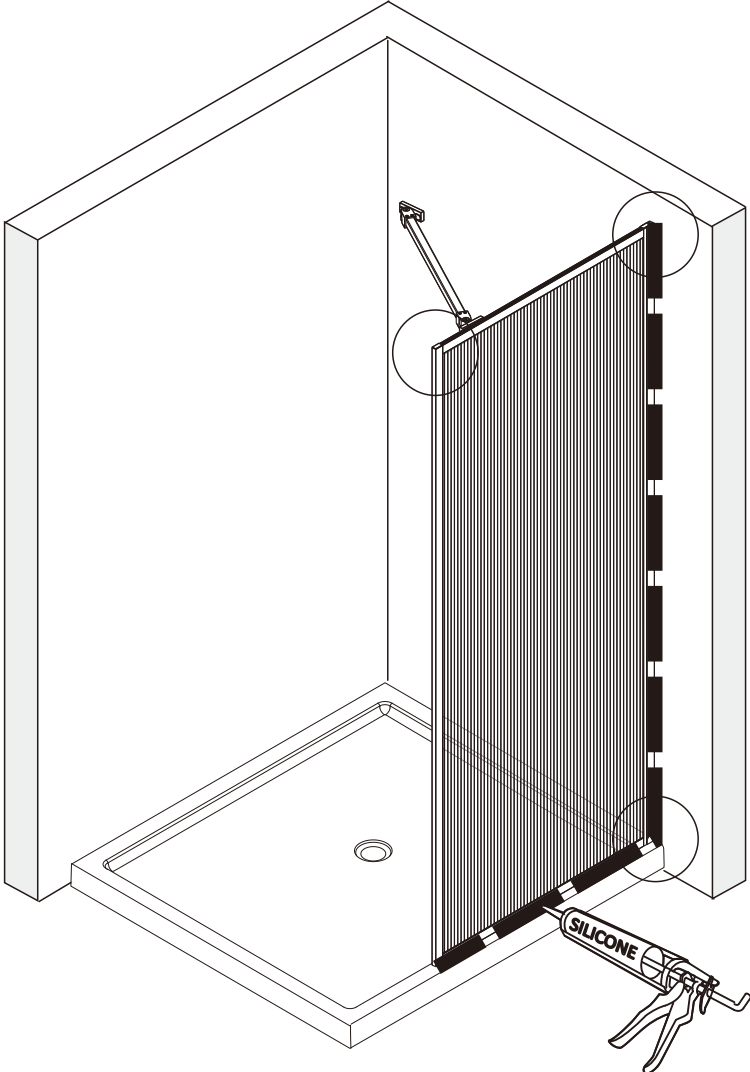
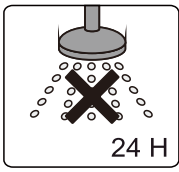




**A** 05-2

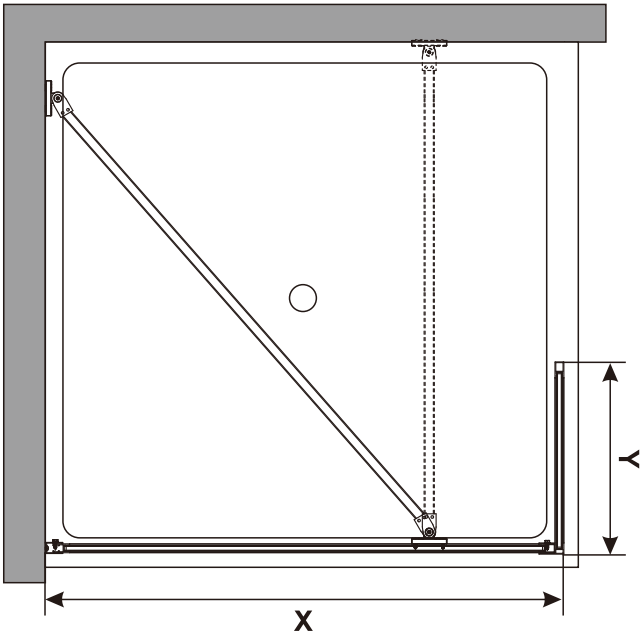


**A** 06



# Installation

**B** 01

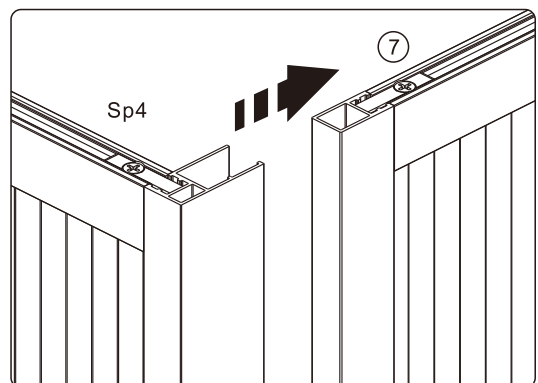
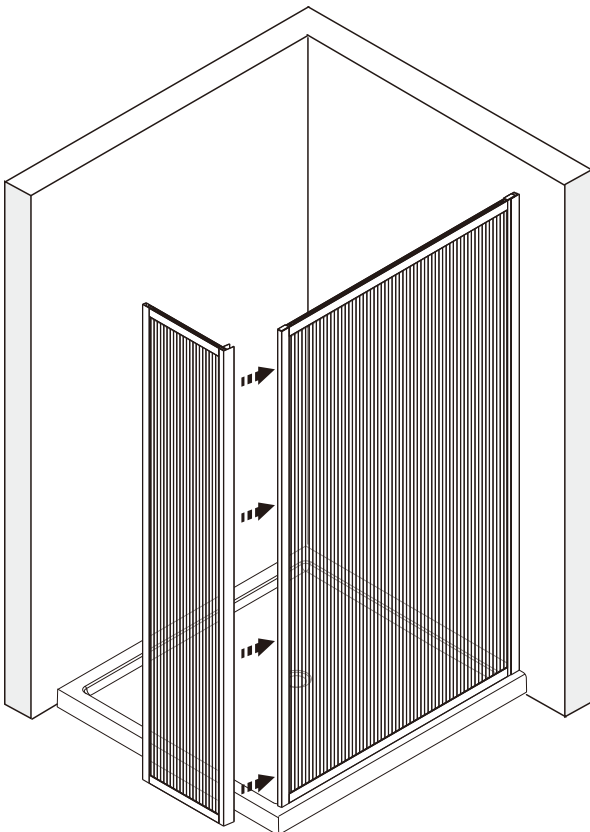


size	X,mm
700	680 - 690
800	780 - 790
900	880 - 890
1000	980 - 990
1100	1080 - 1090
1200	1180 - 1190
1400	1380 - 1390

size	Y,mm
300	300

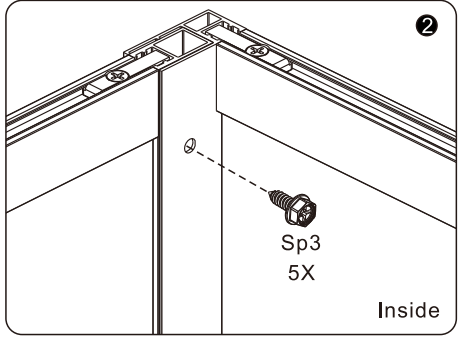
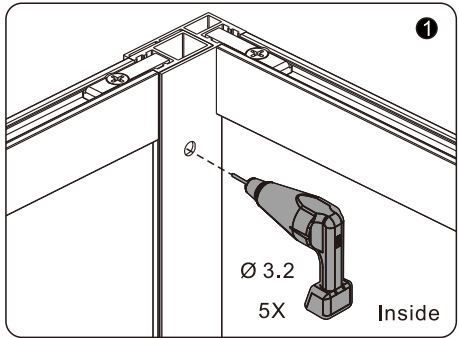
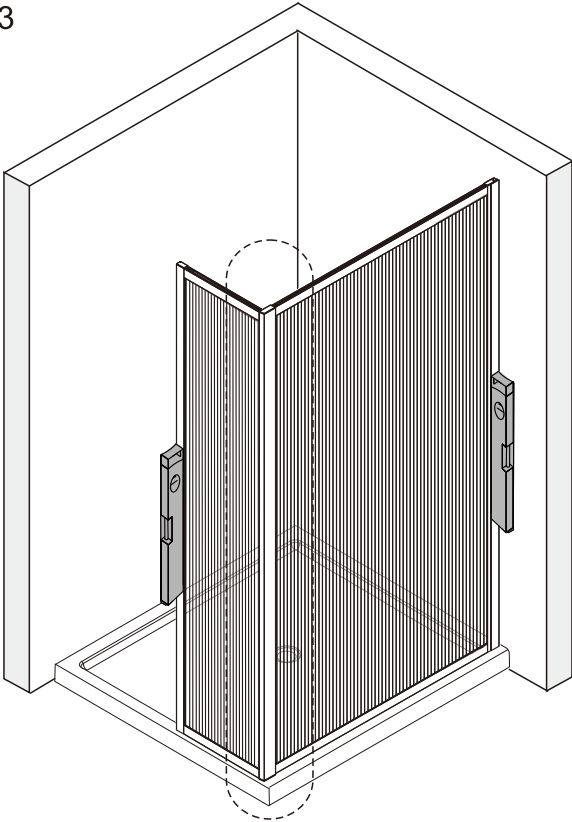
# Continue

**B** 02



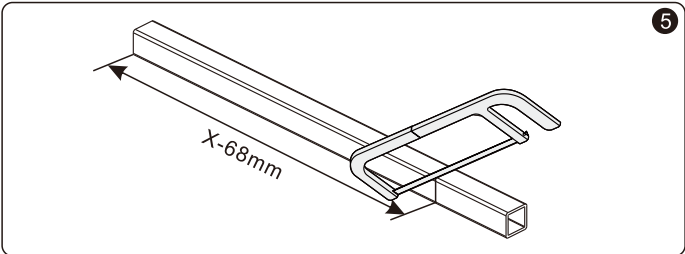
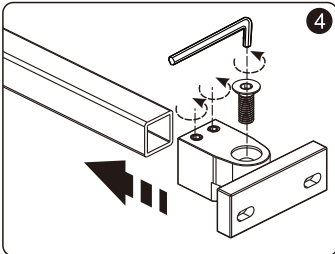
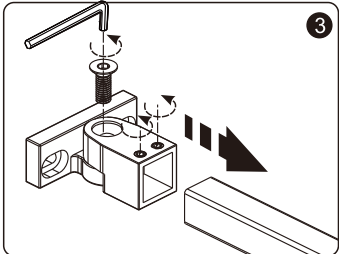
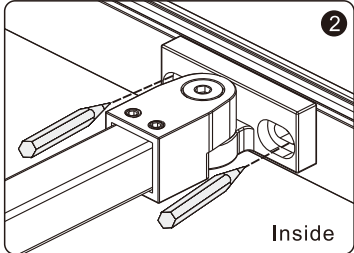
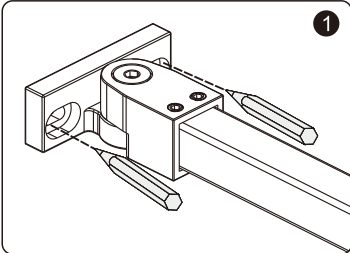
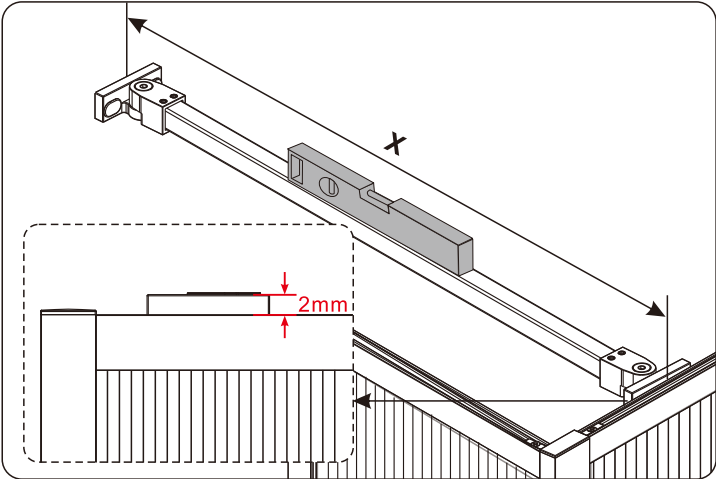
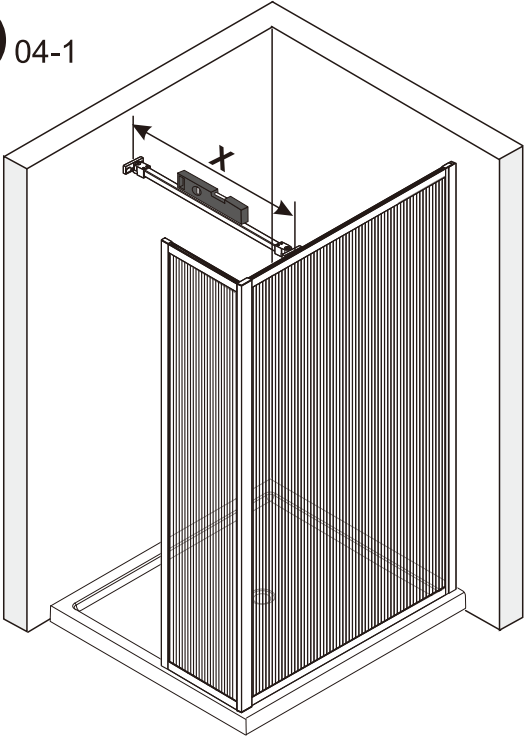
Continue

**B** 03



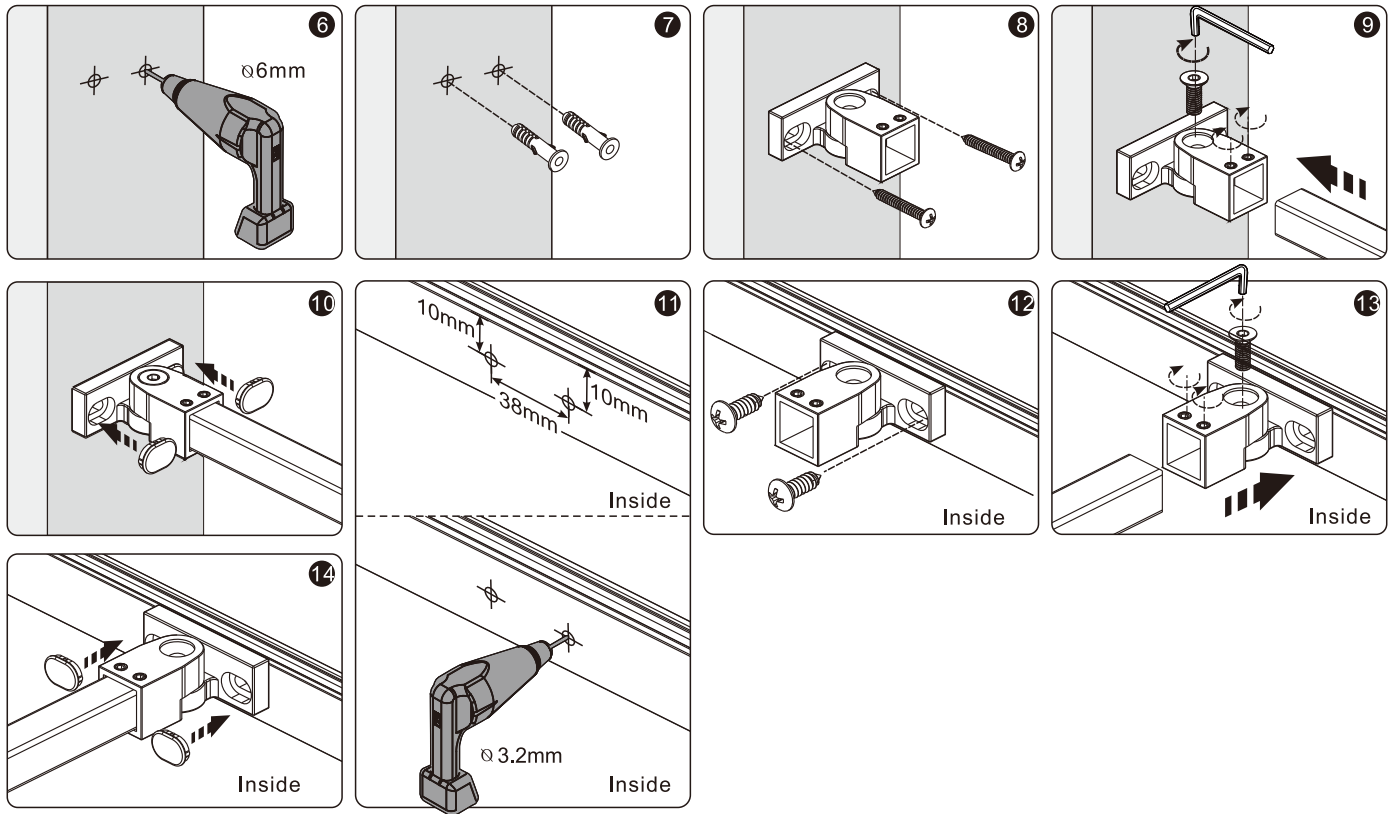
Continue

**B** 04-1



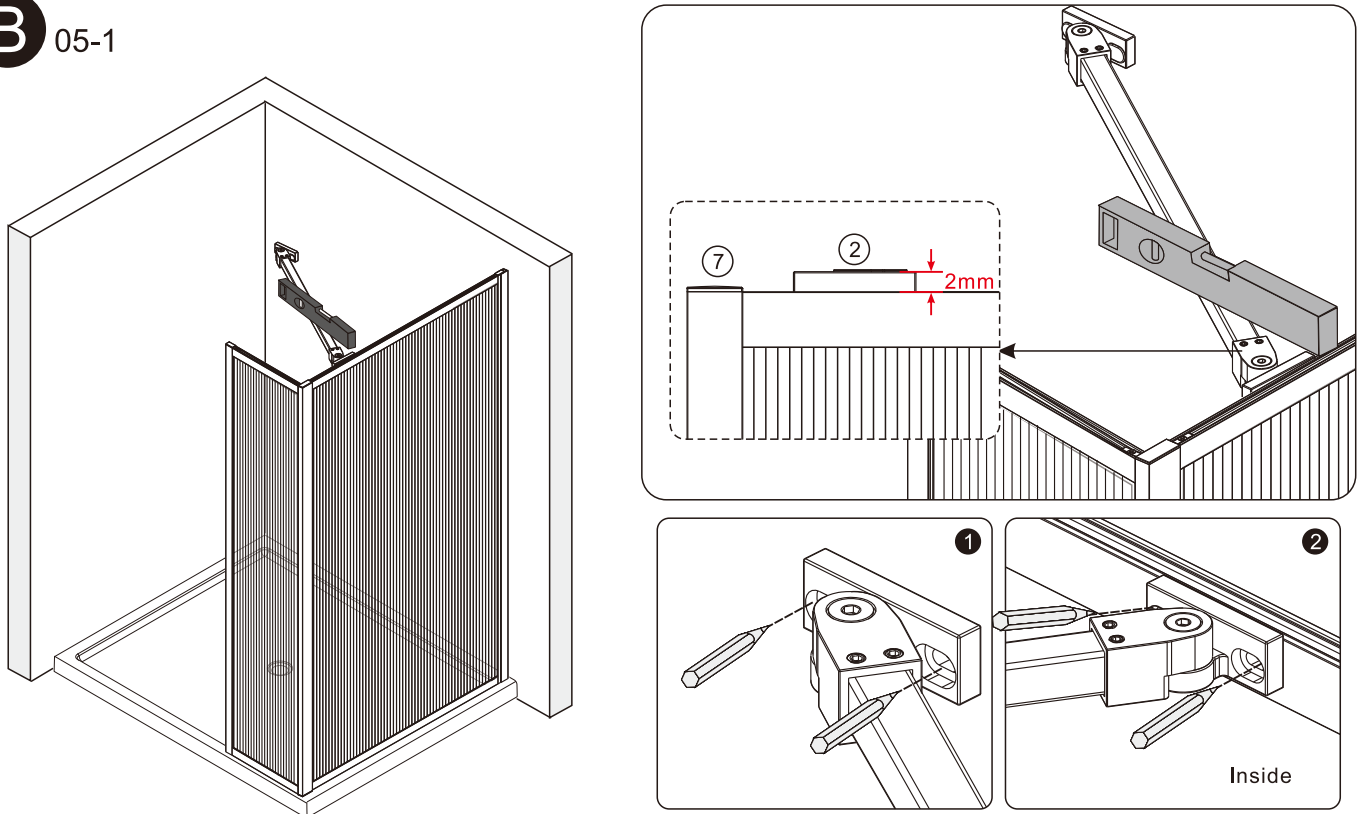
# Continue

## B 04-2



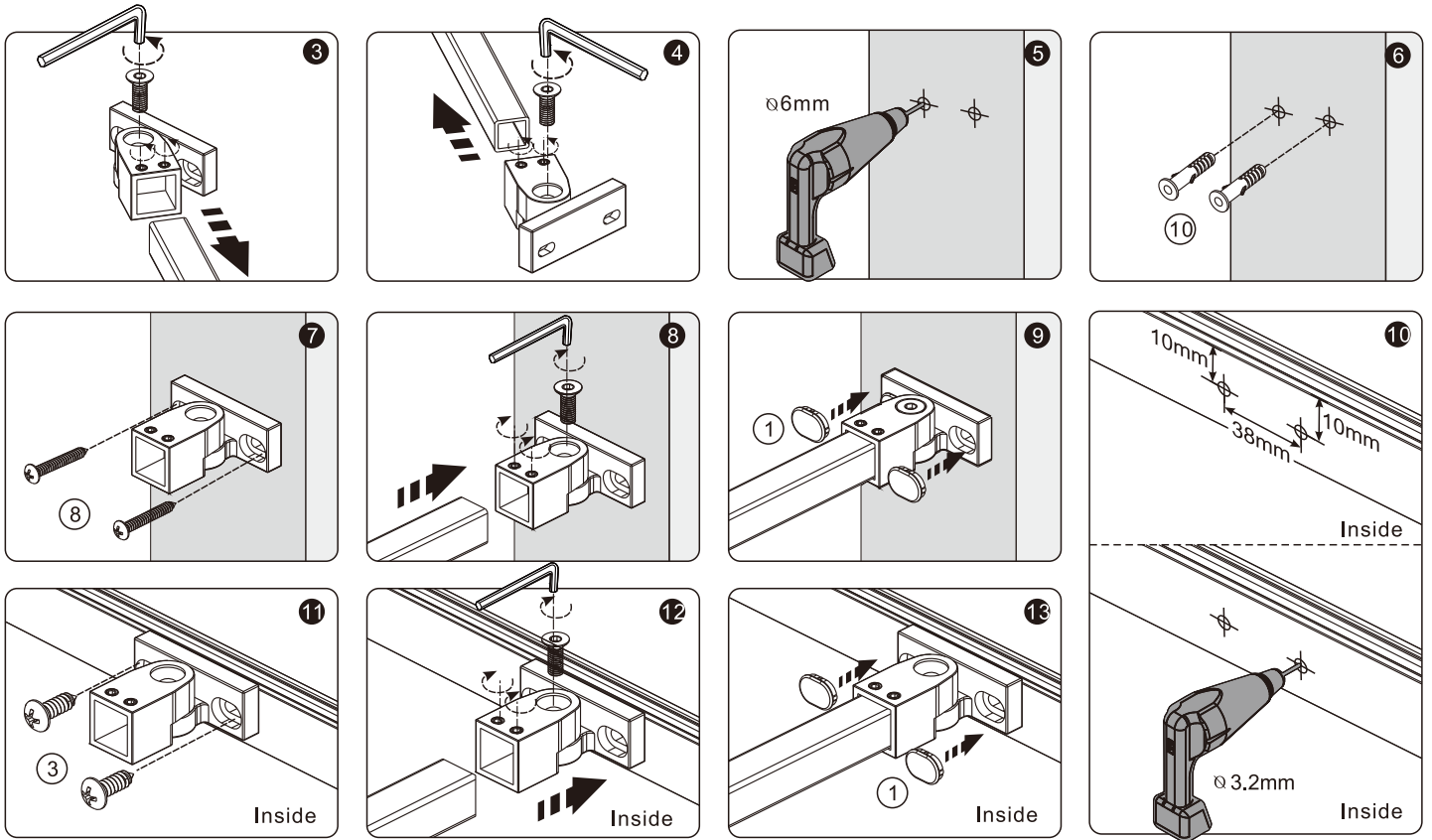
# Continue

## B 05-1



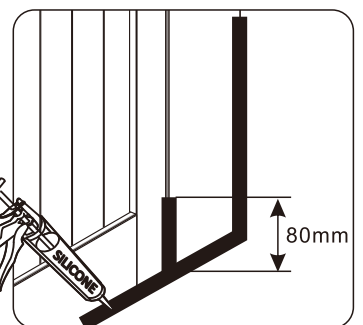
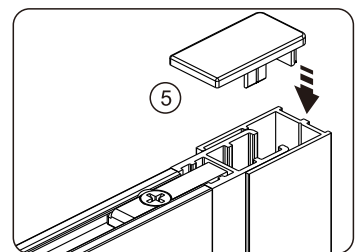
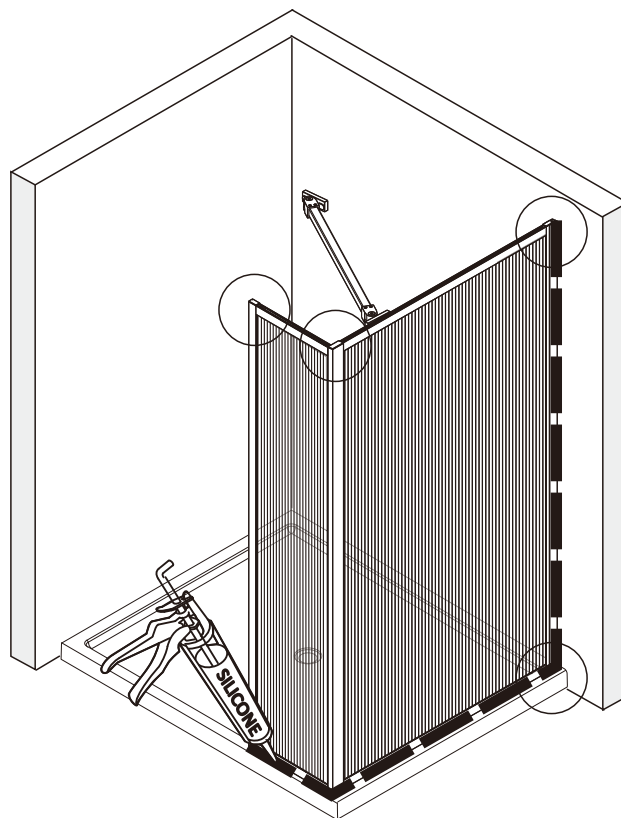
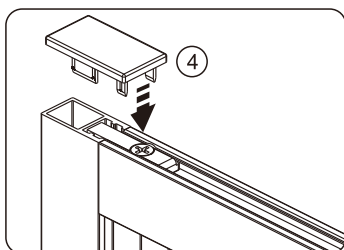
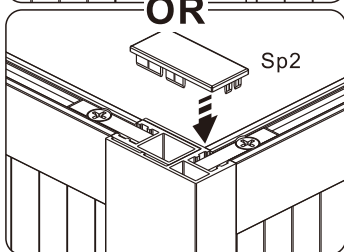
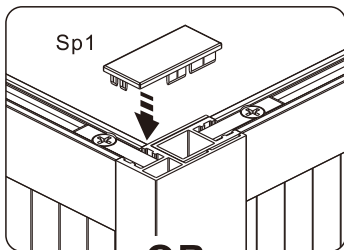
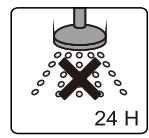
# Continue

## B 05-2



# Continue

## B 06



## Maintenance & Cleaning

Use a PH-neutral cleaning agent to maintain and clean the surface of your product. Not to use alkaline, solvent, acid and chloric or scrubbing agents.

To maintain the surface of your product, wipe with a clean damp cloth and wipe dry, do not use any abrasive cleaning agents or materials. If any harsh chemicals come into contact with the surface of the product, rinse and wipe clean immediately.

### ***For more information***

- visit [betterbathrooms.com](http://betterbathrooms.com)
- email [customerservices@buyitdirect.co.uk](mailto:customerservices@buyitdirect.co.uk)
- call 03303903062
- write to Trident Business Park, Neptune Way, Huddersfield, HD2 1UA

**better  
bathrooms** 

Part of the BuyItDirect Group