

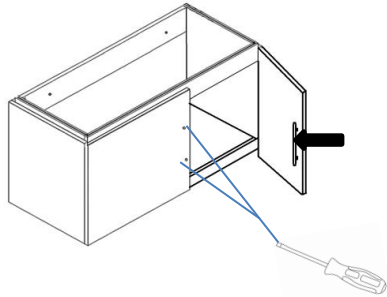
# Unit - Floor Standing

## Installation and Maintenance

**PLEASE READ THIS INSTRUCTION GUIDE FULLY PRIOR TO COMMENCING ANY PART OF THE INSTALLATION**

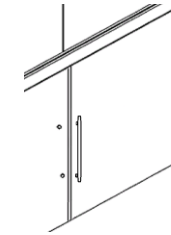
1

Remove the screws from the outside of the unit doors to release the handles attached to the inside of doors (Where handles are included)



2

Once removed place the handle on the outside of the and align with screw holes in door.  
From inside the unit re-connect the screws to secure the door handles into position

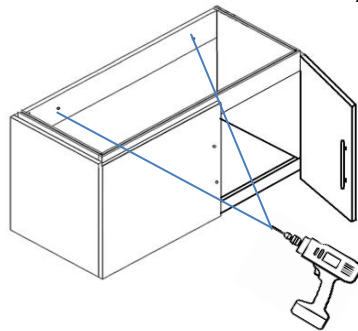


Please note this item is not supplied with wall screws to secure the unit to the wall, please purchase suitable fixings for your wall type

On receipt of the unit check for damage prior to commencement of any installation.  
Damage notified after or during installation will be deemed as installation damage

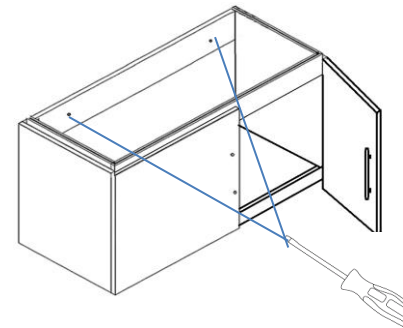
3

Check the wall for pipes and wires before drilling, drill through the back plinth into the wall in the desired location, ensuring the unit is level



4

Secure the unit to the wall using a suitable wall fixing for your wall type (fixings not supplied with unit) i.e. plug and screw for solid walls



To maintain the surface of your product, please ensure:

The room is well ventilated

Excess water which may sit on the surface of the product is wiped dry

Any bathroom products used which may splash onto the surface are wiped clean and dry

Use only a clean damp cloth to wipe clean and a clean dry cloth to dry, do not use any abrasive cleaning agents/materials