

# USER MANUAL

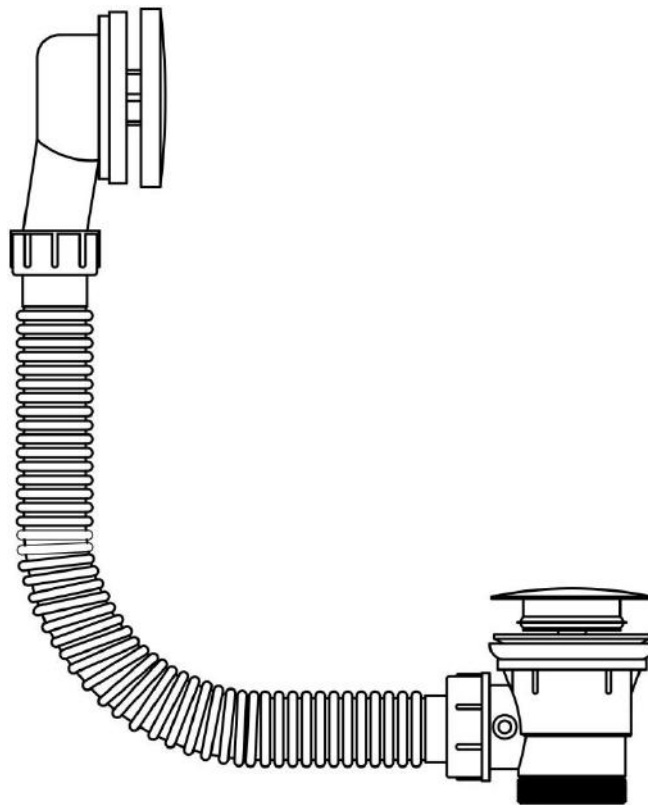


Thank you for choosing Better Bathrooms.  
Please read this manual before installing your product  
and keep for future reference.

**better**   
**bathrooms**

## Product

- ARIMB021 - Matt Black Bath Waste and Overflow
- ARIBB022 - Brushed Brass Bath Waste and Overflow
- CHBAW001 - Chrome Bath Waste and Overflow
- ARIMW007 - Matt White Bath Waste and Overflow
- ARIVRG007 - Vapour Rose Gold Bath Waste and Overflow



- **Single-person assembly**
- **We always recommend using professional tradespeople to install your product**

V2\_7/9/2022

# Congratulations on your purchase

*And welcome to our growing gang of savvy shoppers*

We're on a mission to bring you extraordinary bathroom products, for less. From modern to traditional style ceramics, plus the gorgeous fixtures, fittings and furniture to match. So, you can fall in love with your space every single day.

As one of the UK's largest independent bathroom stores, we've received countless awards; including the National Business Awards UK, the Digital Entrepreneur Awards and being placed on The Sunday Times Fast Track 100.

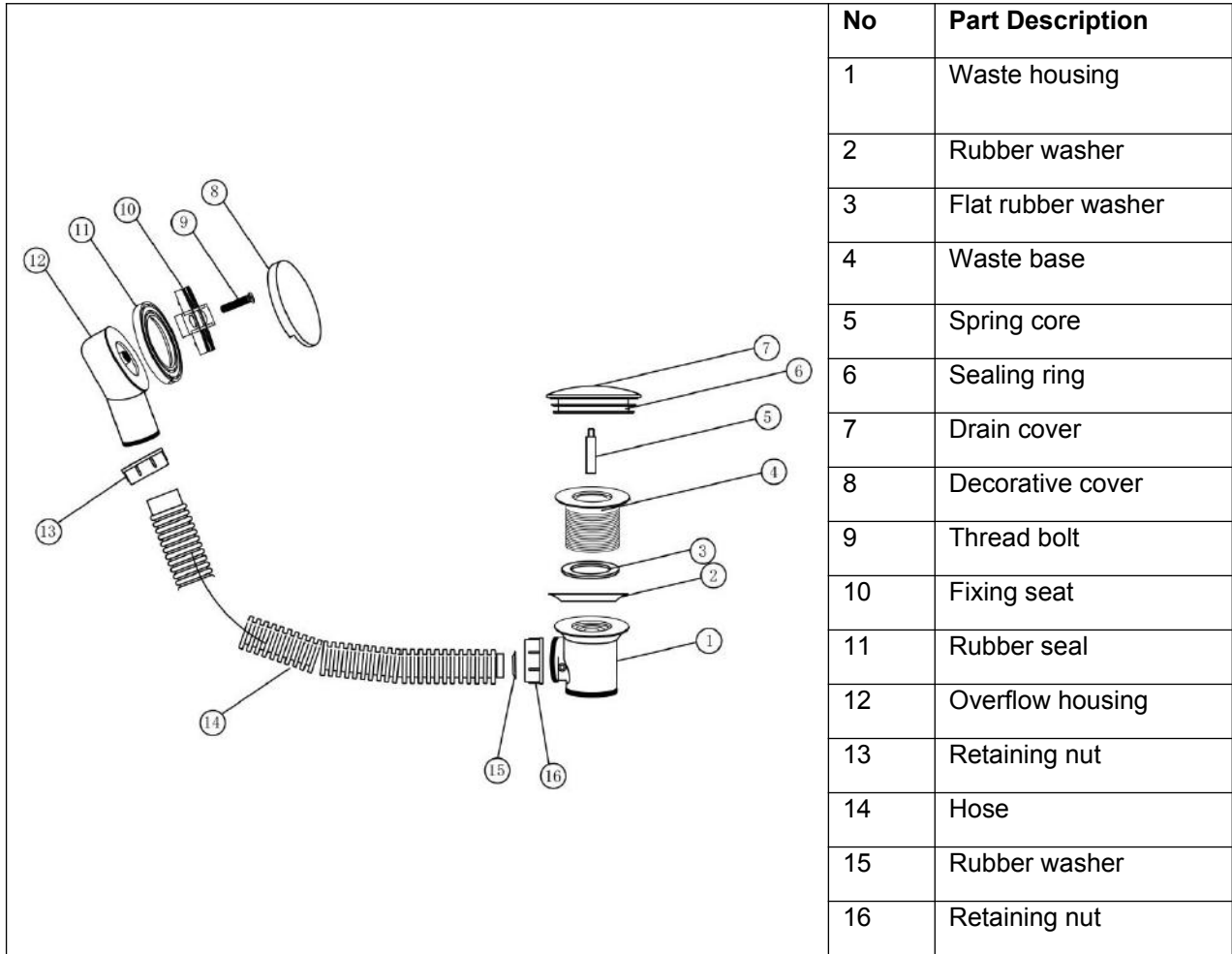
We hope your new product goes above and beyond your expectations. However, should any problems occur, please:

- log in to your account and contact our customer services team via your self-serve portal – [betterbathrooms.com/CustomerAccount/Login](https://betterbathrooms.com/CustomerAccount/Login)
- contact us via [betterbathrooms.com/content/contact-us](https://betterbathrooms.com/content/contact-us)

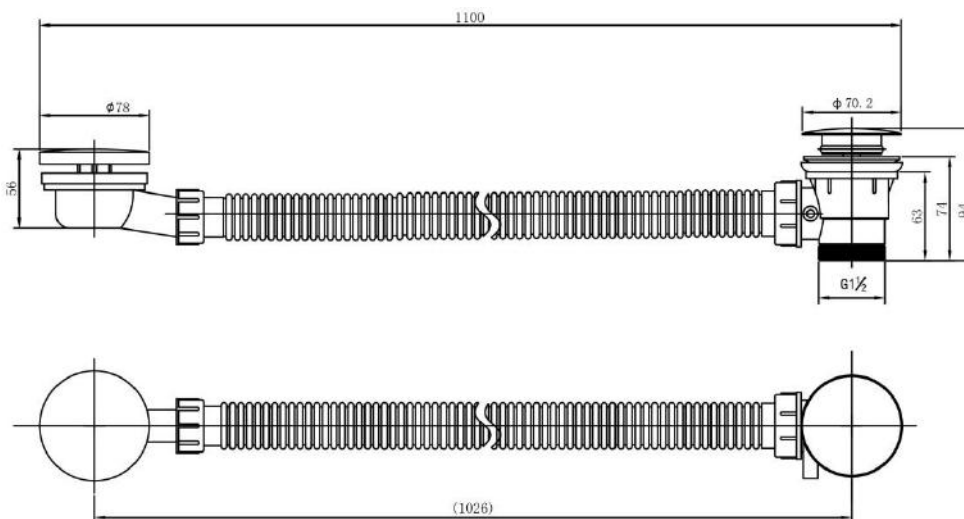
## Important information

- Please read these instructions thoroughly and retain for future reference
-

# Parts / Diagrams



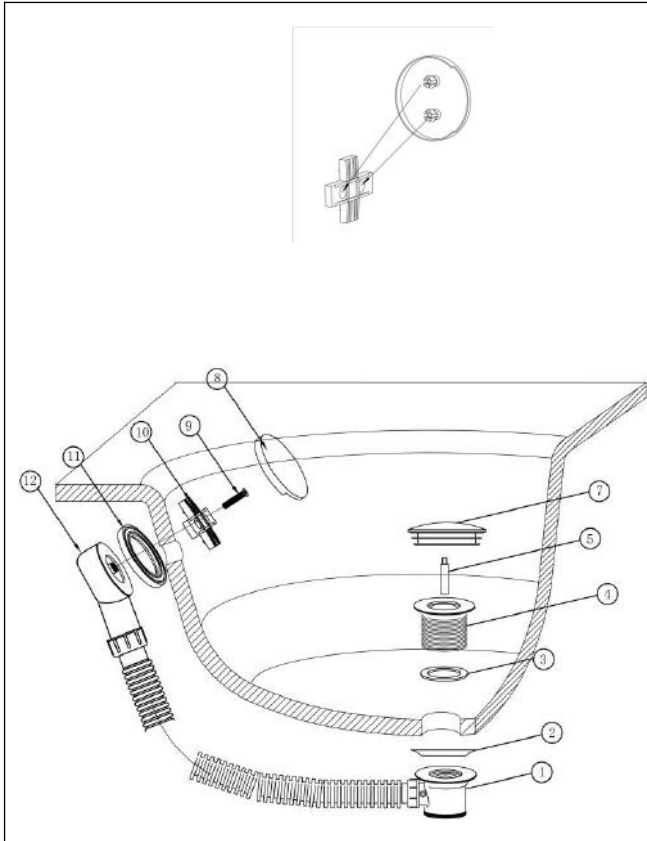
# Dimensions



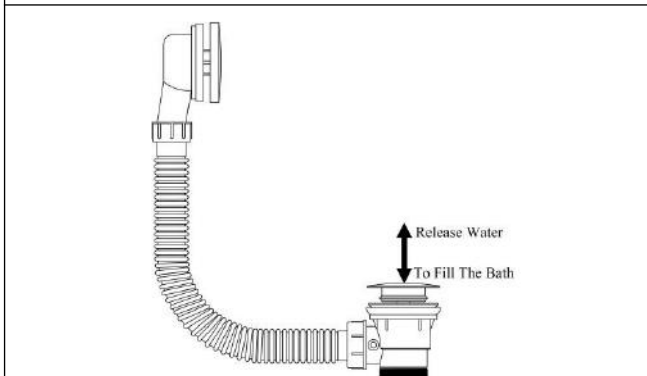
# Tools required

- Screwdriver

# Installation



- Fit the rubber seal(11) on the overflow housing(12), hold the unit in position from the backside of bath.
- Screw in the thread bolt(9) through the fixing seat(10) and fasten with the overflow housing(12). Please ensure it is fully screwed at the body.
- Install the decorative cover(8) by inserting the plastic cores into the 2 holes on fixing seat(10).
- Put the waste base assembled(4&5&7) and flat rubber washer(3) into the bottom waste hole of bath. Place the rubber washer(2) and waste housing(1) onto the waste from backside of bath in sequence. Tighten all the above parts together.
- Check all the joints for leaks.



- To fill the bath press down on the drain cover, press the cover again to empty the bath water.

# Troubleshooting

Issues	Check
Water leak	<ul style="list-style-type: none"><li>• Is there damage to the rubber washer(2,3,15)</li><li>• Is there damage to the sealing ring(6)</li><li>• Is there damage to the rubber seal(11)</li><li>• Is the retaining nut(13,16) fully tighten</li><li>• Has the drain cover(7) been screwed fully onto the spring core(5)</li></ul>

## Maintenance and Cleaning

To maintain the surface of your product, wipe with a clean damp cloth and wipe dry, do not use any abrasive cleaning agents or materials.  
If any harsh chemicals come into contact with the surface of the product, rinse and wipe clean immediately.

### **For more information**

- visit [betterbathrooms.com](http://betterbathrooms.com)
- email [customerservices@buyitdirect.co.uk](mailto:customerservices@buyitdirect.co.uk)
- call 03303903062
- write to Trident Business Park, Neptune Way, Huddersfield, HD2 1UA

**better**   
**bathrooms**

Part of the BuyItDirect Group