

elation[®] fitted

Contents

Leg Kits

- 1 Standard leg kit
- 2 WC Leg Kit

Base Units

- 3 Standard & Tall Base Unit
- 4 WC & Vanity Unit
- 5 Joining Base Units

Wall Units

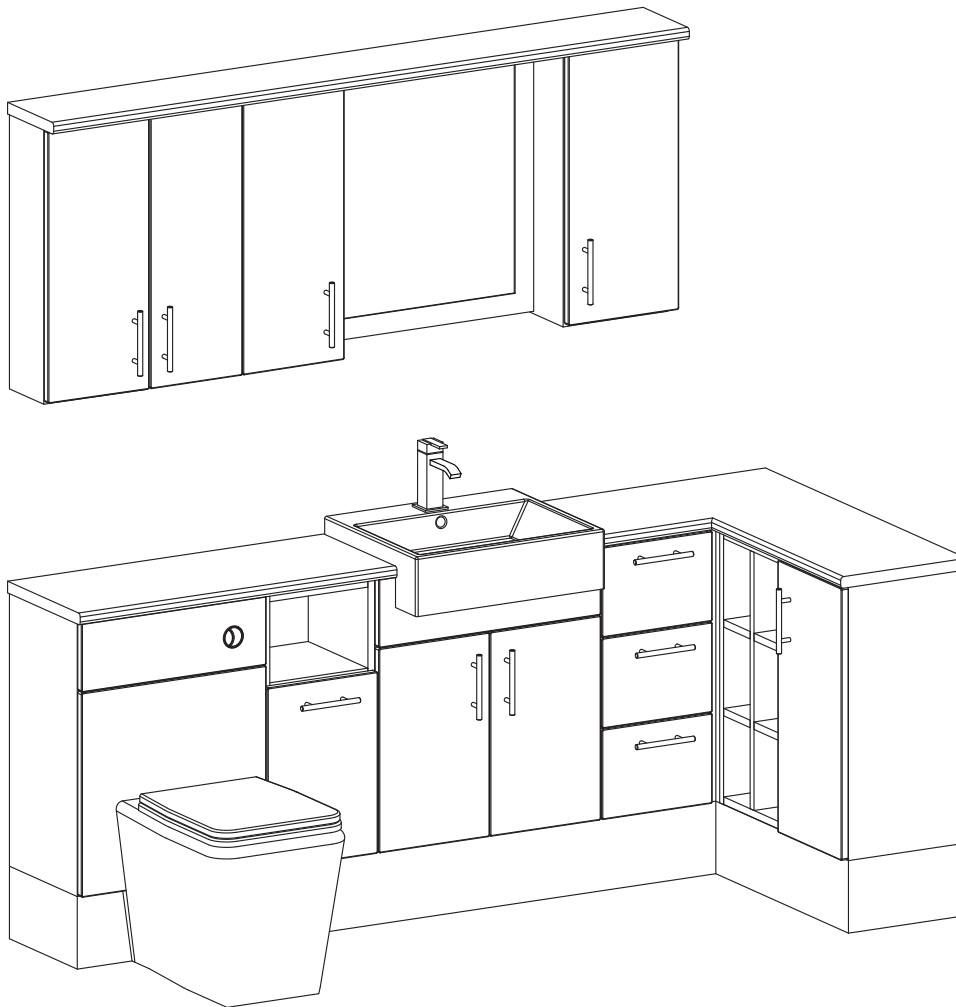
- 6 Standard Wall Unit
- 7 Framed Mirror
- 8 Glass Shelf Display

Attachments

- 9 Hinges
- 10 Drawers
- 11 Handles

Additional

- 12 Filler Panel
- 13 Base Corner
- 14 Plinth
- 15 Framed Units
- 16 WC Plinth Filler
- 17 Worktops
- 18 Flyover Shelf & Down Lights
- 19 Overhanging Lights
- 20 Important Information
- 21 Handle Drilling Centers

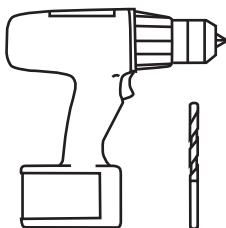


Example Layout for illustrative purposes.

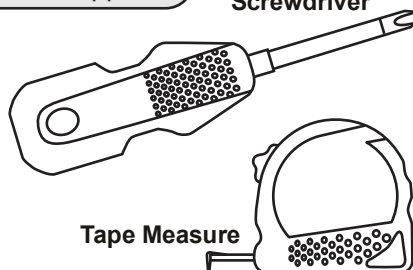
Tools Required (Not Supplied)

Drill and drill bits

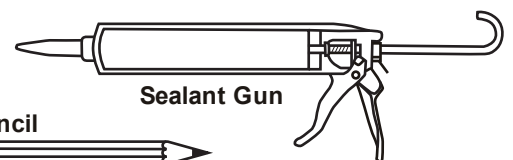
Required when securing the cabinet to a wall. Use an appropriate size bit to match the wall fixing chosen (wall screws and fixings not supplied)



Cross Head Screwdriver



Tape Measure



Sealant Gun

Pencil

Spirit Level



Before you start carefully read the instructions.

Check the pack and make sure all the components are included. When you are ready to start make sure you have the right tools to hand, plenty of space and a clean dry area for building. Don't rush, read the instructions first and run through them before you begin.

Keep fittings together to avoid loss. Do not over tighten screws or bolts.

CLEANING Use mild soap and water only. Do not use washing powders or any other types of abrasive cleaner. See aftercare instructions.

IMPORTANT If you are at all unsure of any part of the instructions shown in this document we recommend that you contact a reputable qualified trades person.

If a part is missing or damaged, please call **01535 613 830**.

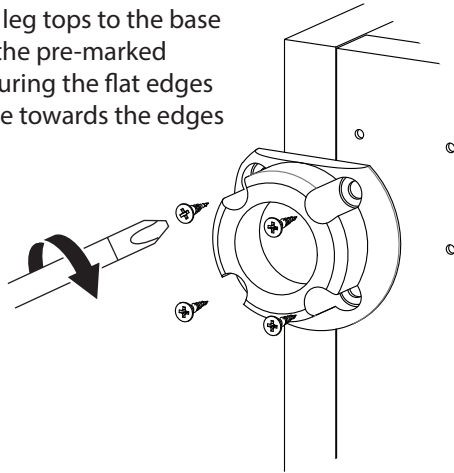
Please have your instruction guide ready.

0W30/462 20181115

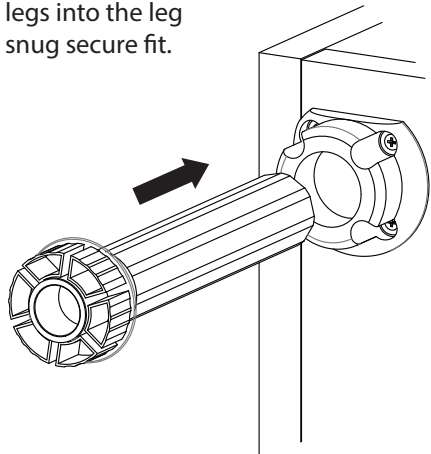


Standard Leg Kit - 1

- ① Fix the plastic leg tops to the base of the unit in the pre-marked positions, ensuring the flat edges on the top face towards the edges of the unit.

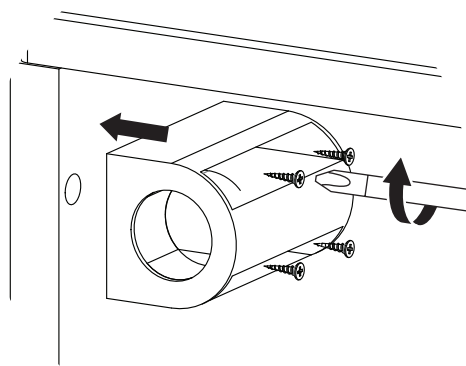


- ② Gently push the legs into the leg tops, ensuring a snug secure fit.

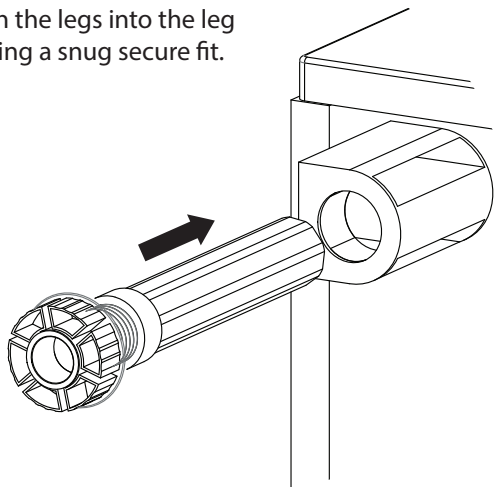


WC Leg Kit - 2

- ① Push the leg bosses into the drilled positions, and secure them in place using the screws provided.

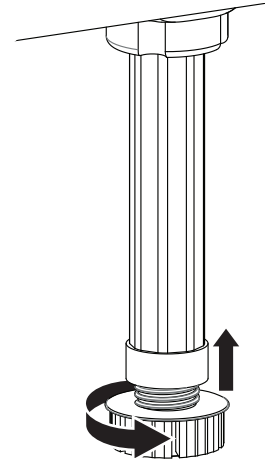


- ② Gently push the legs into the leg tops, ensuring a snug secure fit.

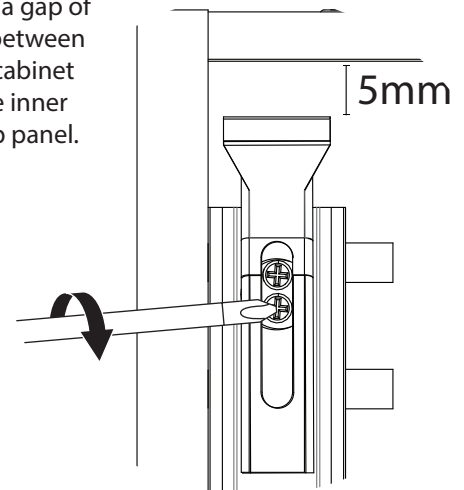


3 - Standard & Tall Base Unit

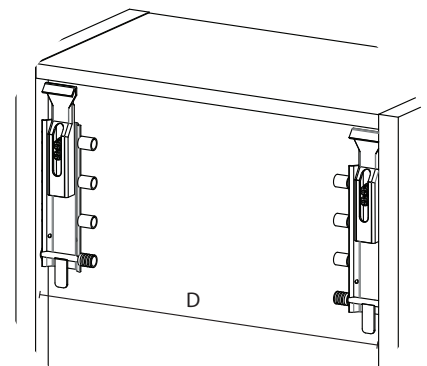
- ① Screw the adjustable foot so the leg is at its shortest height. This will allow the unit to hang freely when attaching to the wall.



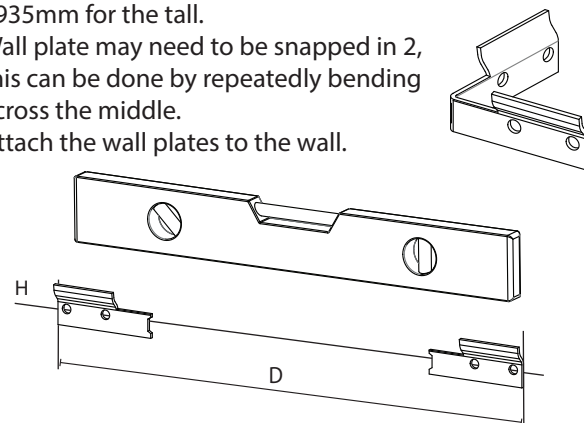
- ② Ensure there is a gap of approx. 5mm between the top of the cabinet hanger and the inner edge of the top panel.



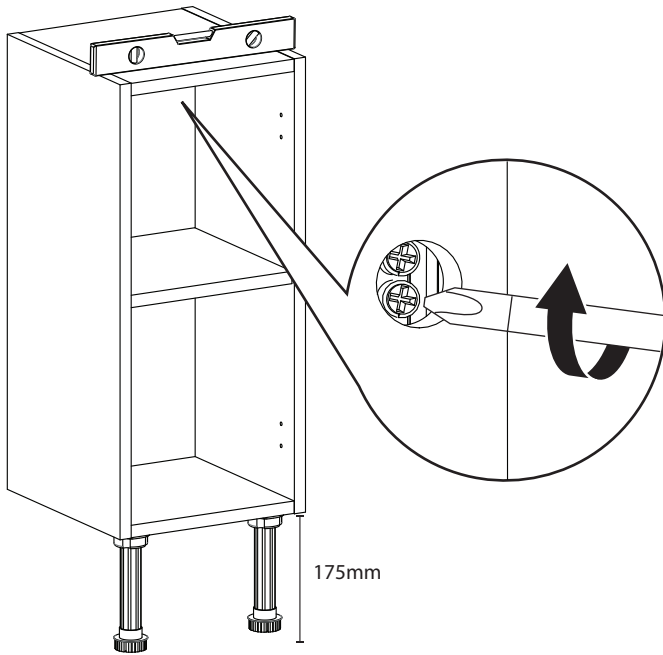
- ③ Measure a distance 'D' between the internal edges of the end panels of the unit and attach the wall brackets as shown below.



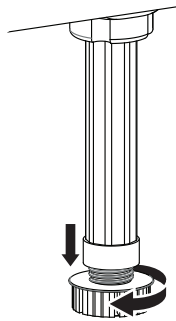
- ④ Measure a height 'H' from the floor and mark out on the wall, making sure it is level. 'H' should be 780mm for a standard base unit and 1935mm for the tall. Wall plate may need to be snapped in 2, this can be done by repeatedly bending across the middle. Attach the wall plates to the wall.



- 5 Gently lift the unit onto the wall brackets. Make sure the unit is level and plumb, turning the bottom screw on the cabinet hanger to adjust the height of the unit. When using the standard leg kits make sure there is a gap of 175mm between the floor and the base of the unit to accommodate the plinth. Once the unit is in the correct position, tighten to the wall using the top screw on the cabinet hanger.

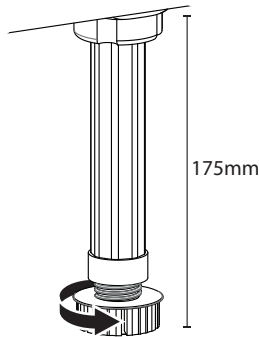


- 6 Screw the adjustable foot so it sits securely on the floor.

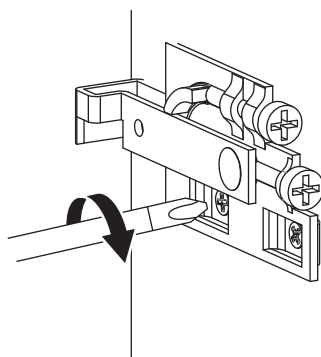


WC & Vanity Unit - 4

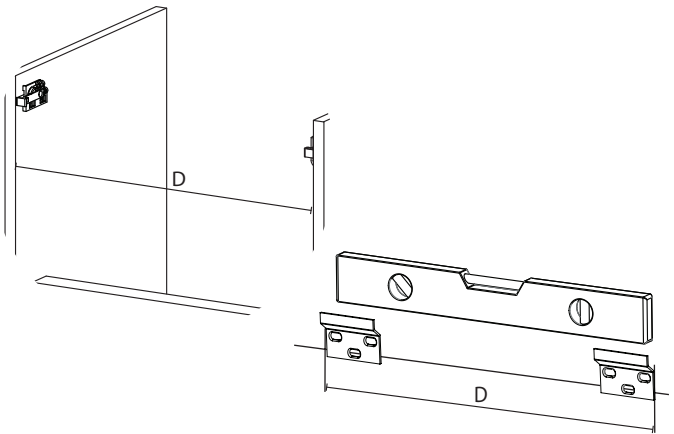
- 1 Screw the adjustable foot so there is a gap of 175mm between the base of the unit and the floor.



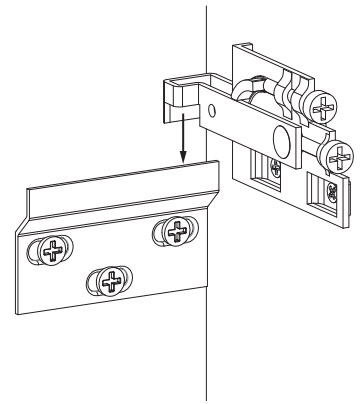
- 2 *Vanity only.* Fit the cabinet hangers to the unit using the screw provided as shown.



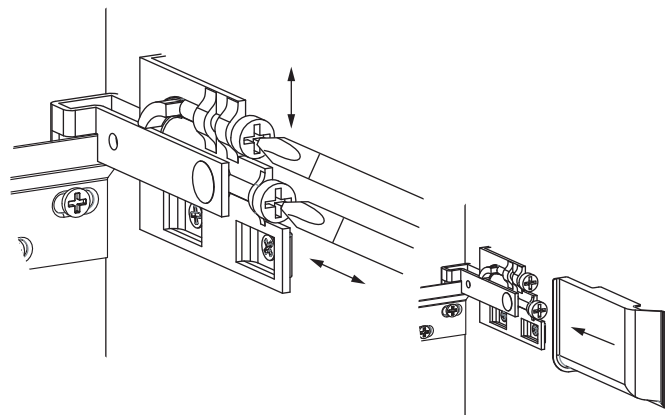
- 3 *Vanity only.* Measure a distance 'D' between the internal edges of the end panels of the unit and attach the wall brackets at the required height as shown below. The wall bracket should be attached so that the top of the unit sits at 835mm from the floor.



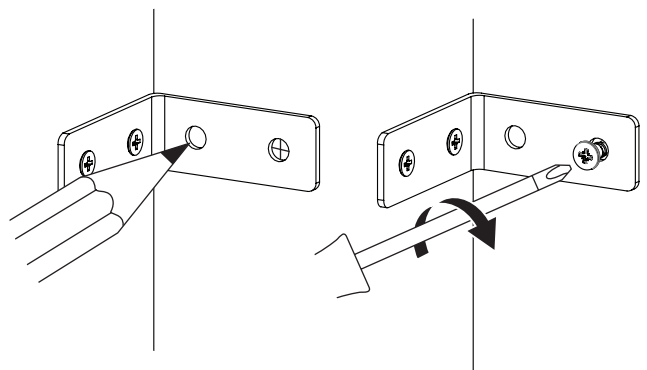
- 4 *Vanity only.* Gently lift the unit on to the wall brackets. The legs should sit flat on the floor, and a gap of 175mm from the base of the unit is required when using the standard leg kits to allow for the fitting of the plinth.



- 5 *Vanity only.* Make sure the unit is level and plumb, using the top screw to alter the height. Once level use the bottom screw to secure to the wall and slide on chrome covers.



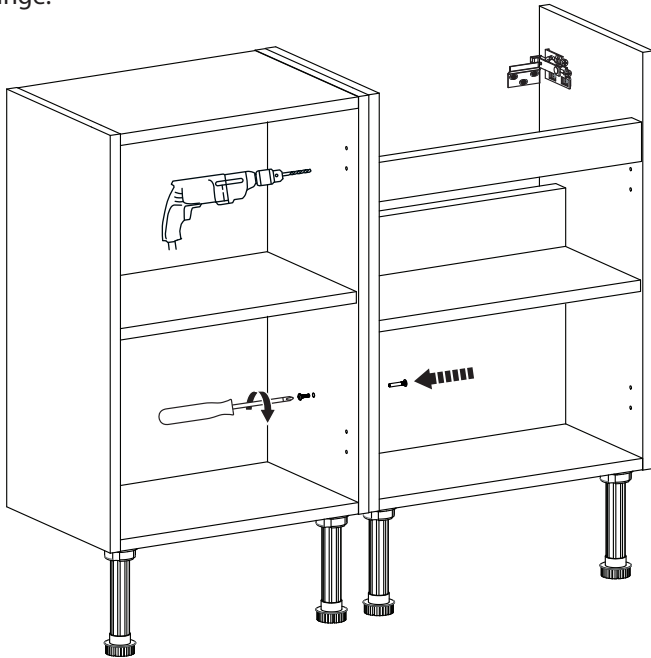
- 6 Secure the unit in place by attaching it to the wall through the L-shape brackets.



Joining Base Units - 5

Attach the base units together using the connecting bolts provided. Drill through the end panel of the unit and secure with the bolts.

It is good practice to clamp the units together before drilling. You may wish to hide the bolts under a loose shelf or behind a hinge.

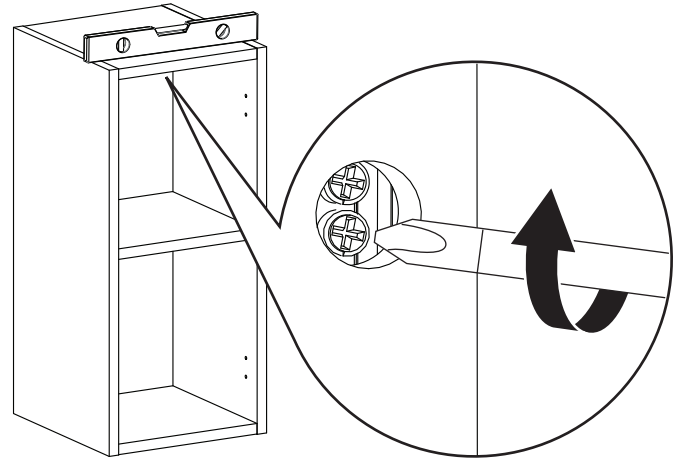


3

Gently lift the unit onto the wall brackets, making sure the unit is secure before letting go.

Make sure the unit is level and plumb, turning the bottom screw on the cabinet hanger to adjust the height of the unit.

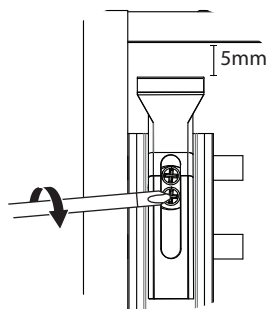
Once the unit is in the correct position tighten the wall using the top screw on the cabinet hanger.



Standard Wall Unit - 6

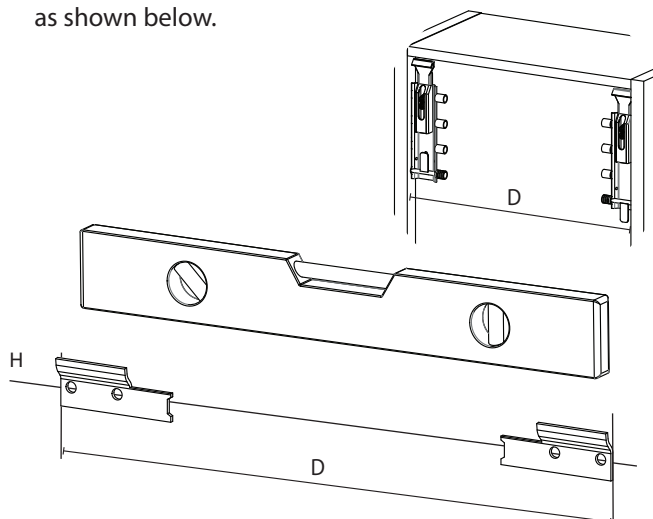
1

Ensure there is a gap of approx. 5mm between the top of the cabinet hanger and the inner edge of the top panel.



2

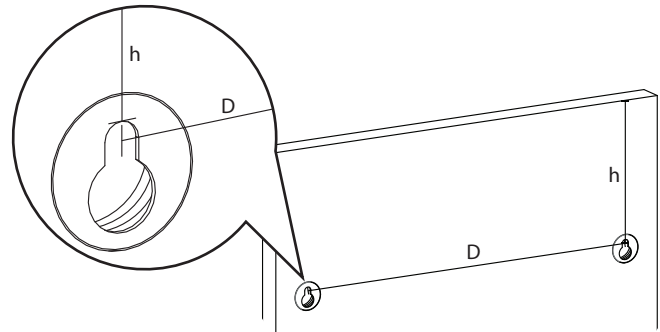
If you have a tall unit, the top of the wall units should be in line with the top of the tall unit. Mark a line 'H' 55mm below the required height of the top edge of the wall unit. Measure a distance 'D' between the internal edges of the end panels of the unit and attach the wall brackets as shown below.



7 - Framed Mirror Unit

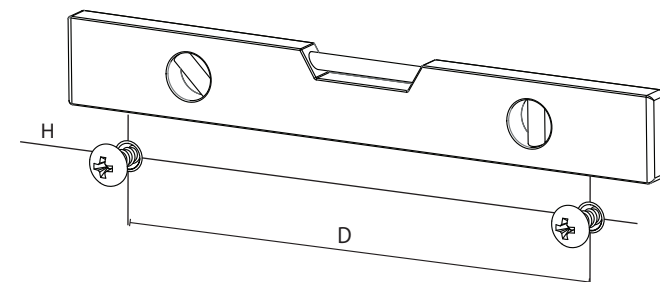
1

Measure the distance 'D' between the 2 key hole fixings. Measure the distance 'h' from the top of the mirror to the top of the key hole fixing.



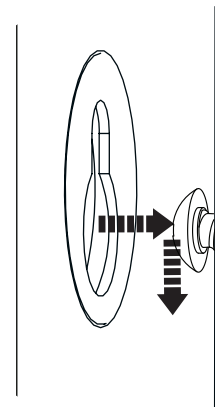
2

Attach wall fixings as shown. 'H' should be the required height of the top of the mirror minus 'h', minus the radius of the wall fixings.



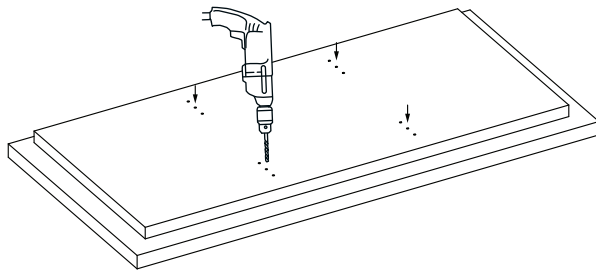
3

Gently lift the unit into place, making sure the wall fixings are secure in the key holes before letting go.

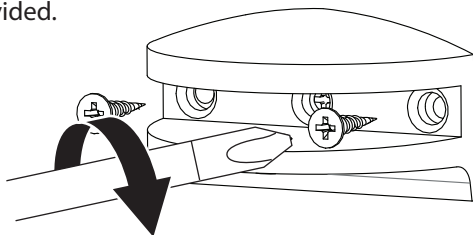


Glass Shelf Display - 8

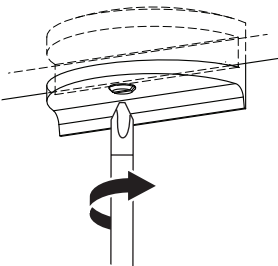
- 1 Drill through the pot marked positions on the back board using a suitable size drill bit for your wall fixings. It is a good idea to place a piece of scrap board under while you are drilling to prevent breakthrough. Attach to the wall using suitable wall fixings. If you are using a tall unit, you may wish to line the top of the back board with the top of the tall unit.



- 2 Attach the shelf brackets onto the back board using the screws provided.

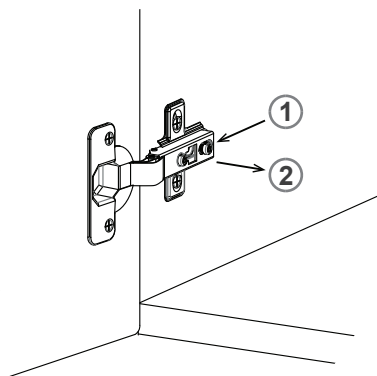


- 3 Slot the glass shelves into position. Once you are happy tighten the screw at the base of the shelf bracket to secure the shelf in place.

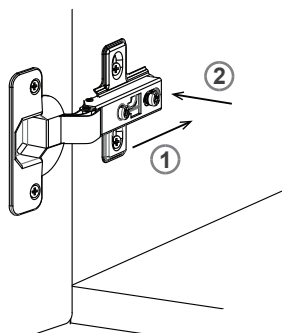


Hinges - 9

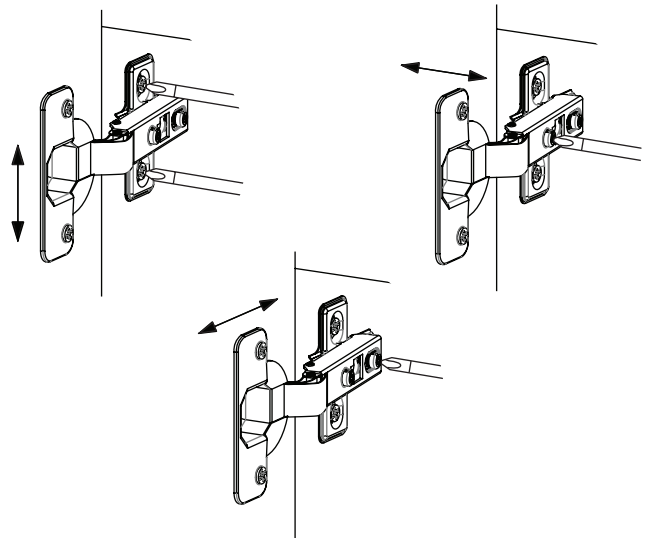
- 1 To remove any doors unclip as shown, pushing the clip to the rear of each hinge (1) and lifting away from the base plate (2). Make sure the door is supported when unclipping each hinge.



- 2 Attach the door back to the unit. Line the hinge up with the base plate (1), and push the back of the hinge until it clicks into place (2).

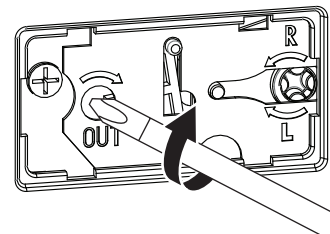


- 3 Adjust hinges as shown below.

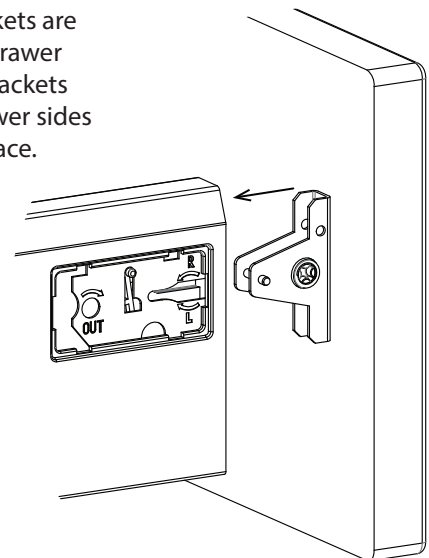


10 - Drawers

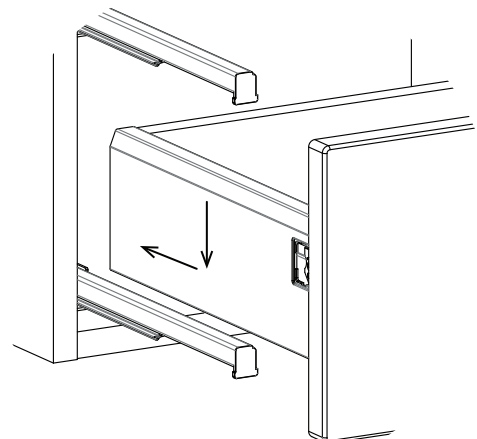
- 1 The front can be released from the drawer box as shown.



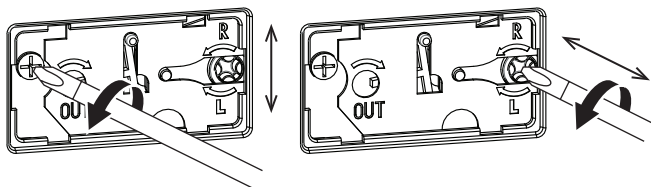
- 2 Once both brackets are secured to the drawer front, line the brackets up with the drawer sides and click into place.



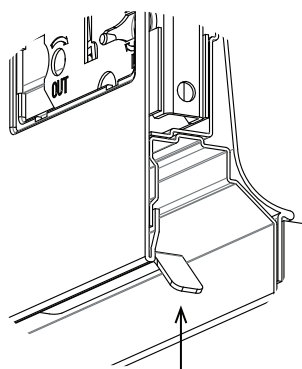
- 3 fit the drawer to the unit by lining up the drawer sides with the runners, lower the drawer box onto the runners and push into place. The drawer should click in place.



- 4 If the drawer front needs adjusting this can be done as shown below.

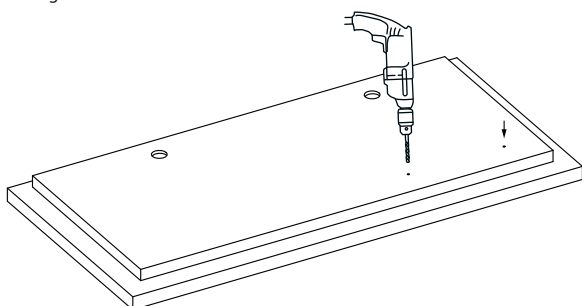


- 5 To release the drawer from the runners, locate the levers on the underside of the drawer box, pushing the lever up whilst lifting the drawer box away from the runners.

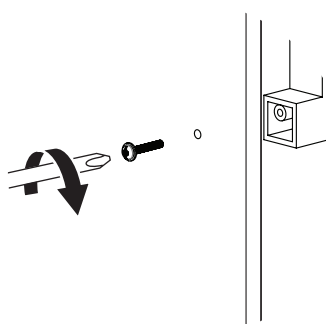


Handles - 11

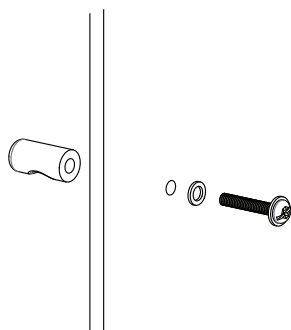
- 1 Taking into account which way you want the door to open, mark out and drill hole positions for the handles. It is a good idea to place a piece of scrap board under whilst you are drilling to prevent break through. Illustration shown for Right hand open base unit. Excluding Mirror Doors.



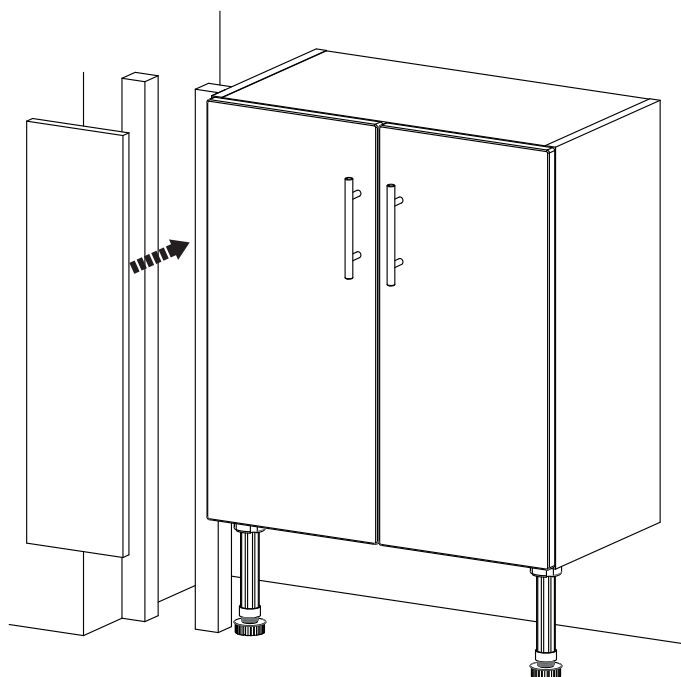
- 2 Attach the handles to the doors.



When attaching the chrome barrel handle to the mirror doors make sure the rubber washer is placed between the door and the handle bolt.



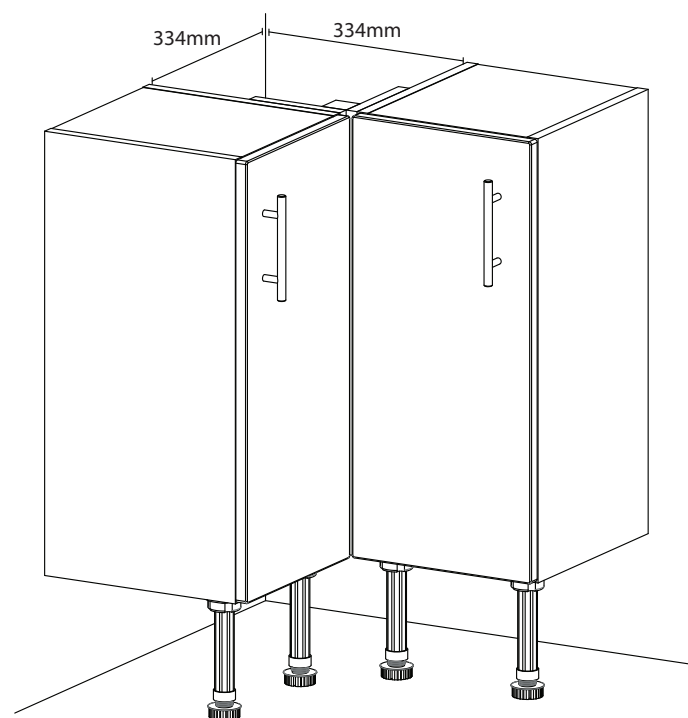
12 - Filler Panel



The Filler panel can be used to plug a gap between a unit and a wall.

Attach a batten (not supplied) to the wall and unit, once the filler piece is cut to size it can be attached to the battens from behind.

13 - Base Corner

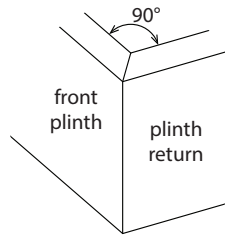


To create a corner unit, cut a filler panel in two, attaching one piece to each unit.

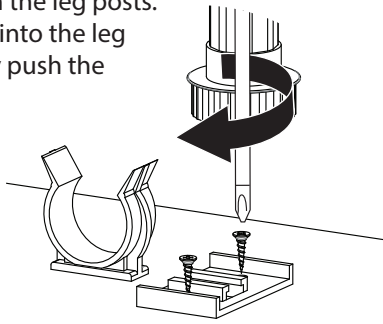
The Filler pieces should be attached so they are flush with the front of the carcass to create the correct spacing for the units. The units can then be joined together using a batten or L-plates.

Plinth - 14

- 1 Cut the plinth to the size, matching the length of your run of units.
If you are using a plinth return you may wish to mitre the plinth as shown to create a crisp 90° corner. If you are using a filler panel make sure to include this in the length of the plinth.

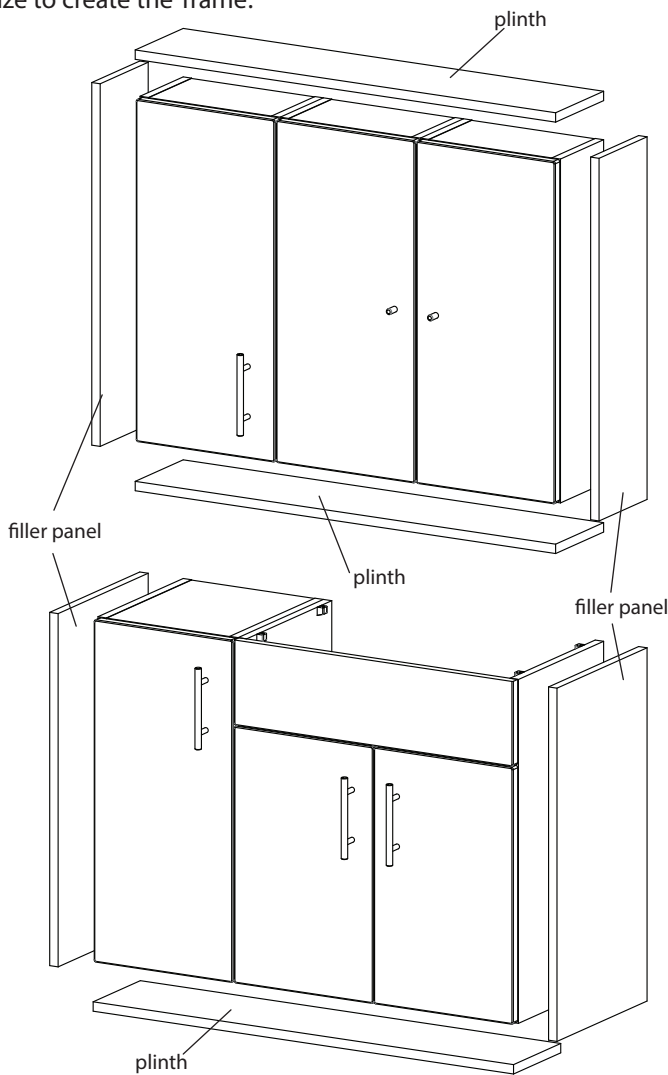


- 2 Screw the leg clip plates mid way up the plinth, making sure they line up with the leg posts. Slide the spring clips into the leg clip plates and gently push the plinth into place. When using a plinth return you may wish to place a batten to the rear of the unit for the plinth return to push up against.



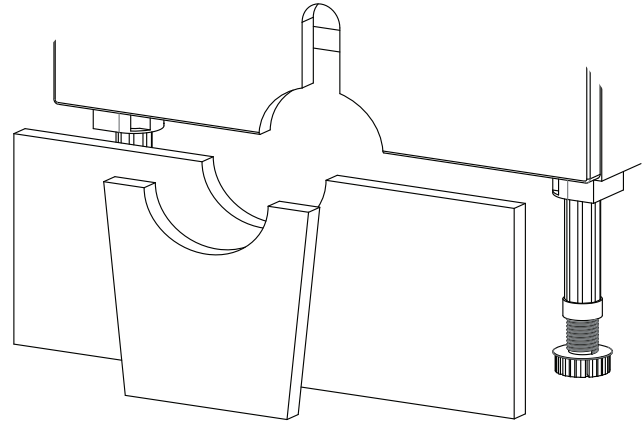
Framed Units - 15

Framed units can be created from using a mix of filler panels and plinths attached to the units. Once the units are in place cut the plinths and filler panels to size to create the 'frame'.



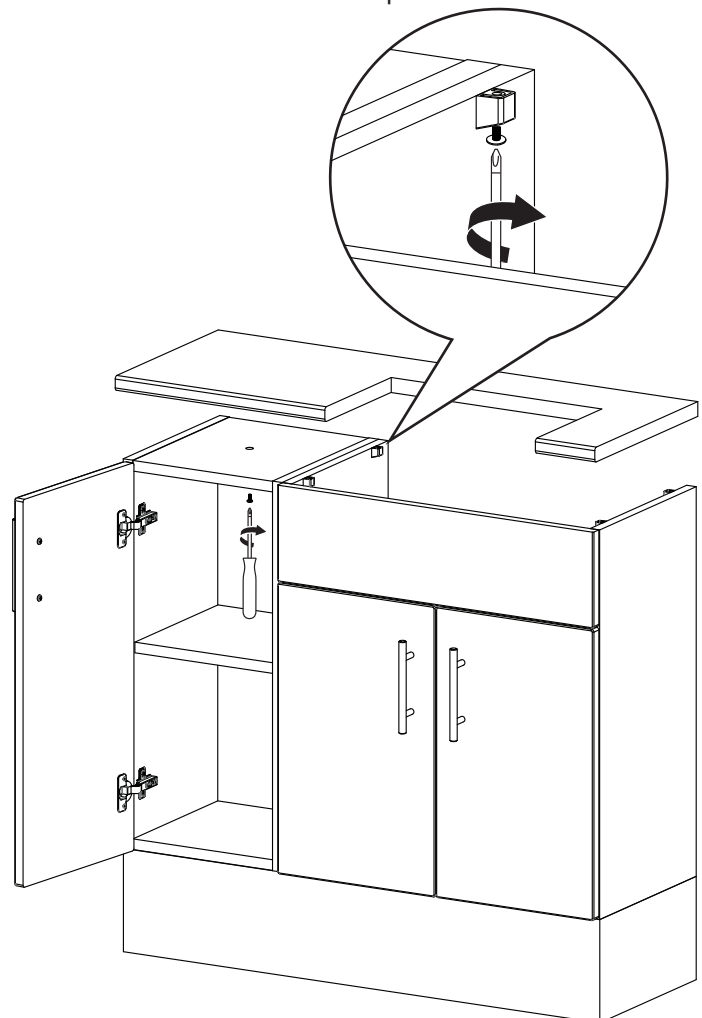
16 - WC Unit

When fitting the WC, the front panel will need to be cut to accommodate any pipe work and installation of the flush. The filler piece is also required to create a flat surface for the WC to sit against. Any cut edges will need to be sealed to prevent water ingress. Please refer to pottery instructions when fitting WC.



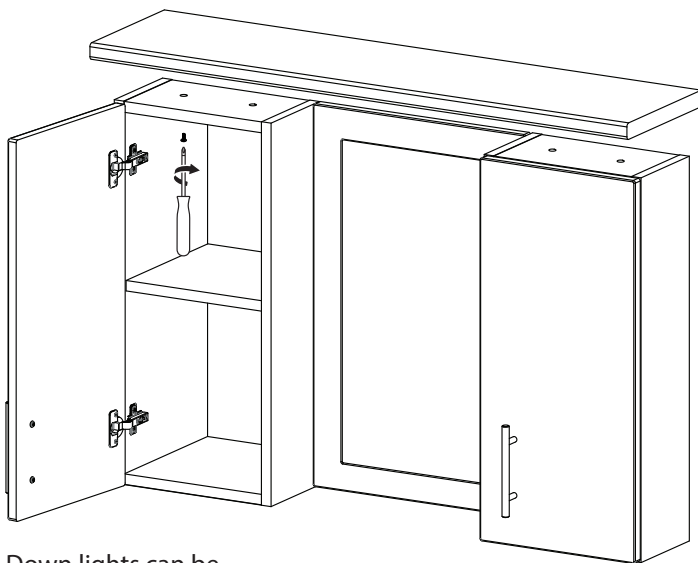
17 - Worktops

Worktop can be fitted to the units by either screwing through the worktop blocks in the vanity and WC units, or screwing through the top panel of the other units. If provided, follow templates provided with basin when cutting work top and fascia. It is good practice to apply sealant to any cut edges to prevent water ingress. Where possible bed the basin to the worktop with sealant. Once the basin is in position, apply a bead of sealant around where the basin meets the worktop.

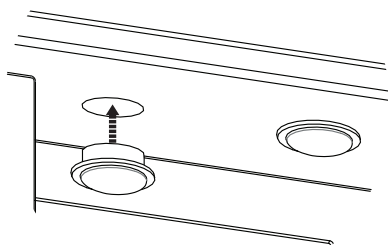


Flyover Shelf & Down Lights - 18

Create a flyover shelf by attaching a piece of worktop to wall units. Screw through the top panel of the wall units to secure the worktop in place.

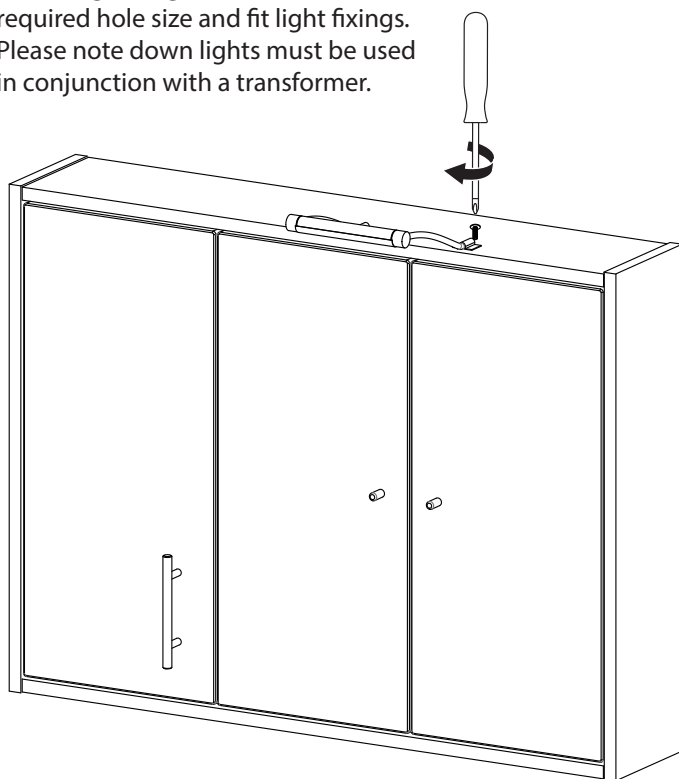


Down lights can be inserted into the worktop. Following the light manufacturers instructions, drill the required hole size and fit light fixings. Please note down lights must be used in conjunction with a transformer.



Overhanging Lights - 19

Attach overhanging lights to the top of the unit by screwing through the light fixing and into the top panel of the unit. Following the light manufacturers instructions drill the required hole size and fit light fixings. Please note down lights must be used in conjunction with a transformer.



20 - IMPORTANT INFORMATION

If you are at all unsure of any part of the instructions shown in this document we recommend that you contact a reputable qualified trades person.

It is good practice to fit all pipe work and plumbing before fixing the units to the wall to enable easier installation and fitting.

Please make sure the wall fixings used are suitable for your wall type. Failure to do so could result in damage or personal injury.

Electrical installation

IMPORTANT: All electrical installation work must be carried out by an approved qualified electrician. Under no circumstances should any electrical work be carried out by an unqualified person.

All component and manufacturing instructions supplied with the electrical products must be followed at all times and the cabinet is installed within the correct zone as required by the electrical regulations. All electrical products and components supplied with this unit must be protected by a 30ma - RCBO (RCD) breaker.

Product aftercare

We recommend cleaning with a soft damp cloth and mild soap solution.

Do not use cream cleaners or cleaners containing bleach.

Do not scrub or scour.

Do not use abrasive cleaning agents.

Do not use solvent based cleaners.

If a polish is to be used, use wax free polish.

Do not allow pools of water to remain standing on the surfaces.

Sealant

We recommend that you read the sealant packaging for the curing time. Do not use the unit until the sealant is set.

21 - Handle Drilling Centers

