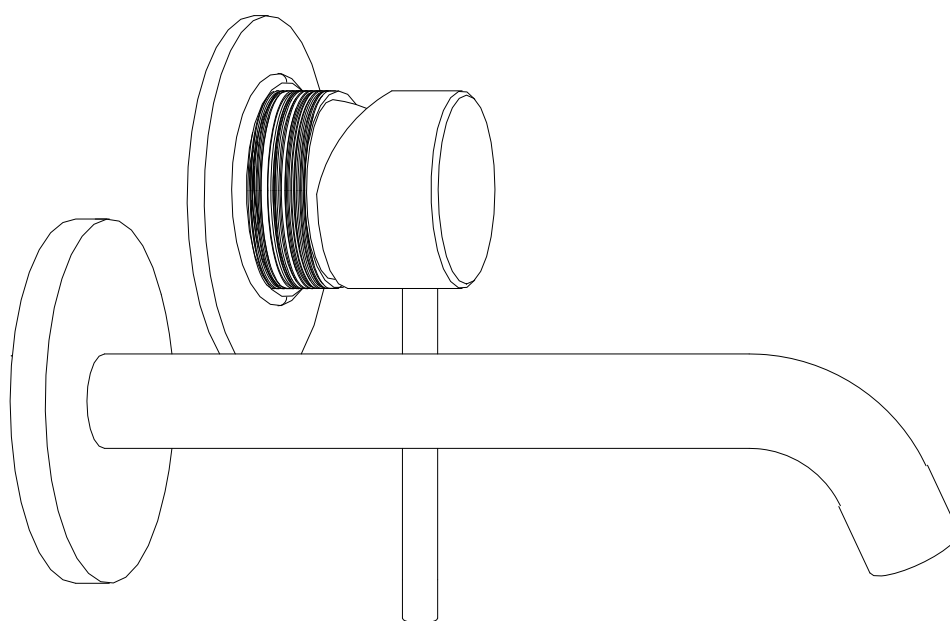



Empire Wall Mounted Bath Filler

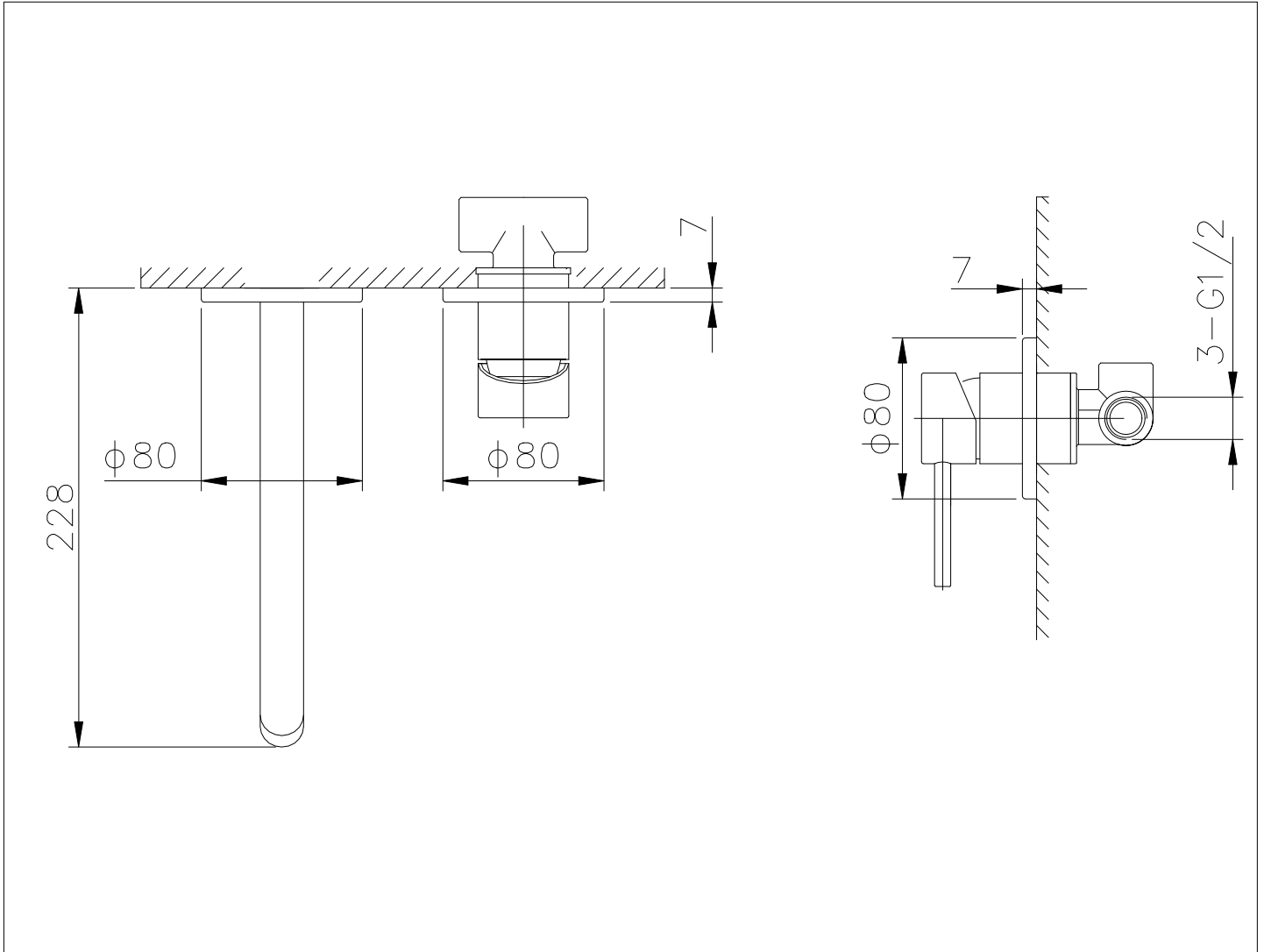
CODE: BeBa_25978



1 NOTES FOR INSTALLATION

- 1) Installation must be carried out in compliance with The Water Fittings Regulations and Scottish Water Byelaws.
Minimum and Maximum working pressure : 1 - 5 bar
- 2) Please do not connect hot and cold water supply lines in reverse. This could result in hot water flowing from cold line and cause scalding.
- 3) The feed-water temperature of water shall not exceed 85°C. Exceeding 85° may cause scalding, the service life of faucets might be shortened, or the faucet might be damaged.
- 4) The valve must be installed on the wall that is strong and thick enough.
- 5) After installation, please make sure the faucet is securely mounted.
 Warning : Read all the instructions completely before proceeding. We recommend calling a professional if you are uncertain about installing this product.

2 DIMENSIONS(mm)

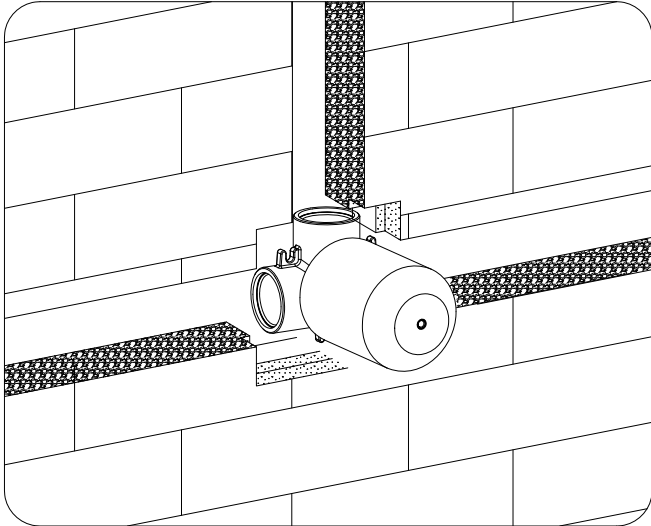


3 SHUT OFF WATER SUPPLY

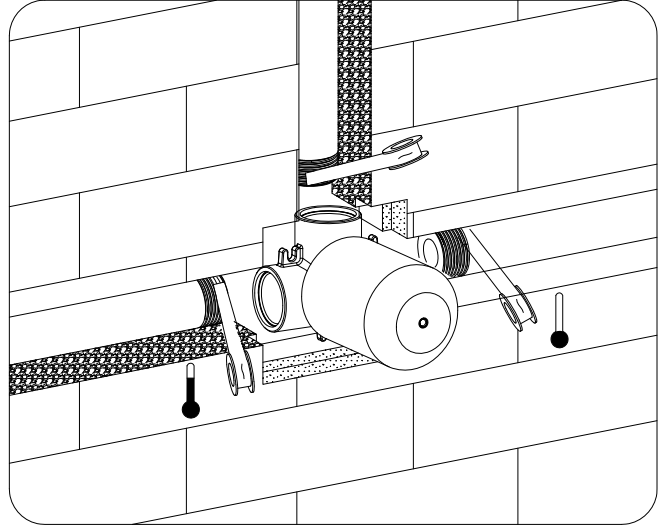
Locate water supply inlets and shut off the water supply valves. These are usually found under the sink or near the water meter.

4 INSTALLATION

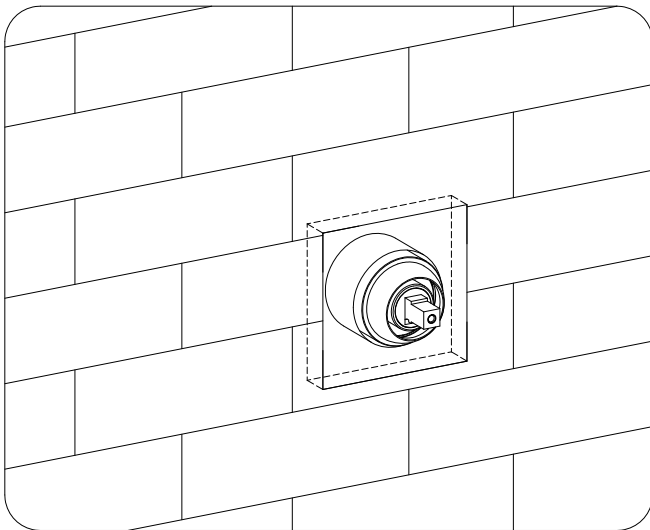
Based on the size of the body and the wall type, either secure it to the noggins or embed it into the wall at an approximate height. Ensure that the body is installed level, plumb and square.



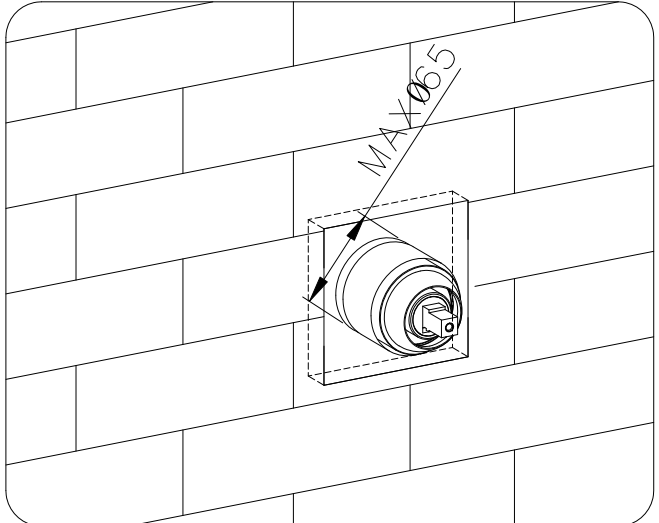
Connect the hot(left) and cold(right) supply and the mixed water pipes using applicable sealing practices. Remove the plastic tiling templates and test for water security with the mixer in both open and shut positions and the diverter open in both positions.



Either, sheet around the mixer body with fibre cement sheeting or backfill the exposed channels ready for tiling.

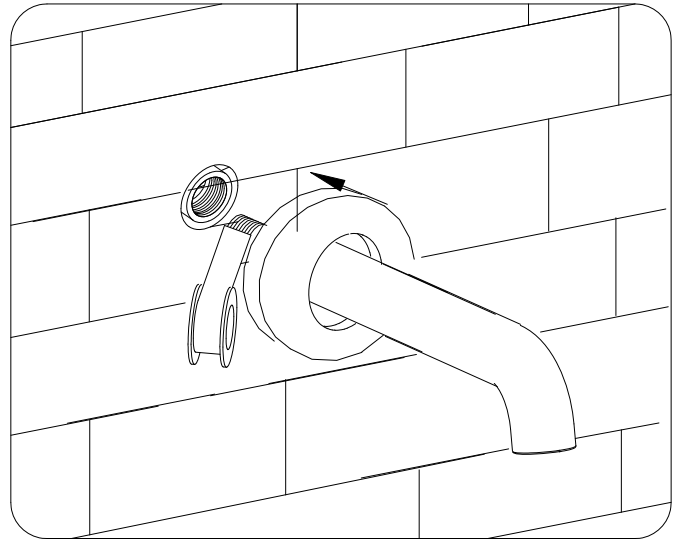
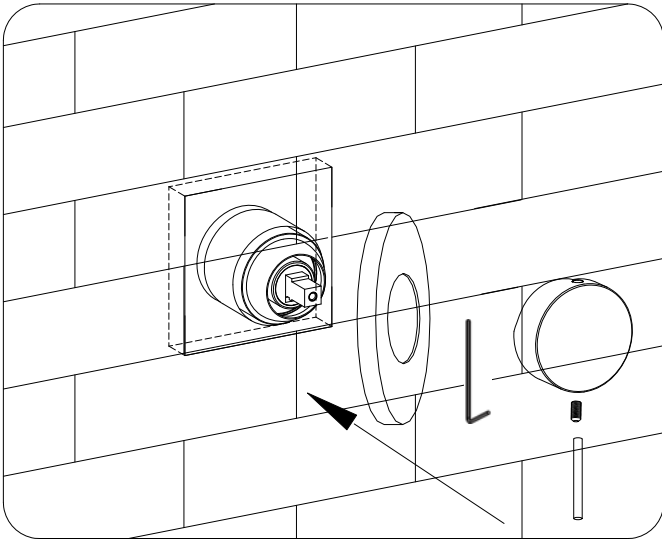


Ensure tiles are cut as close to the plastic template covering the mixer dome as possible; Remove the plastic template after the tiling is completed.



Install the trim cover plate with the valve. Remove the lever from handle set, by rotating counter-clockwise, and loose the grub screw by Allen key. Install the lever handle onto the body, and securing it with the grub screw; Fix the lever back to the handle.

Install the trim cover plates over the dome and spout. Fix the spout into the wall using thread seal tape.

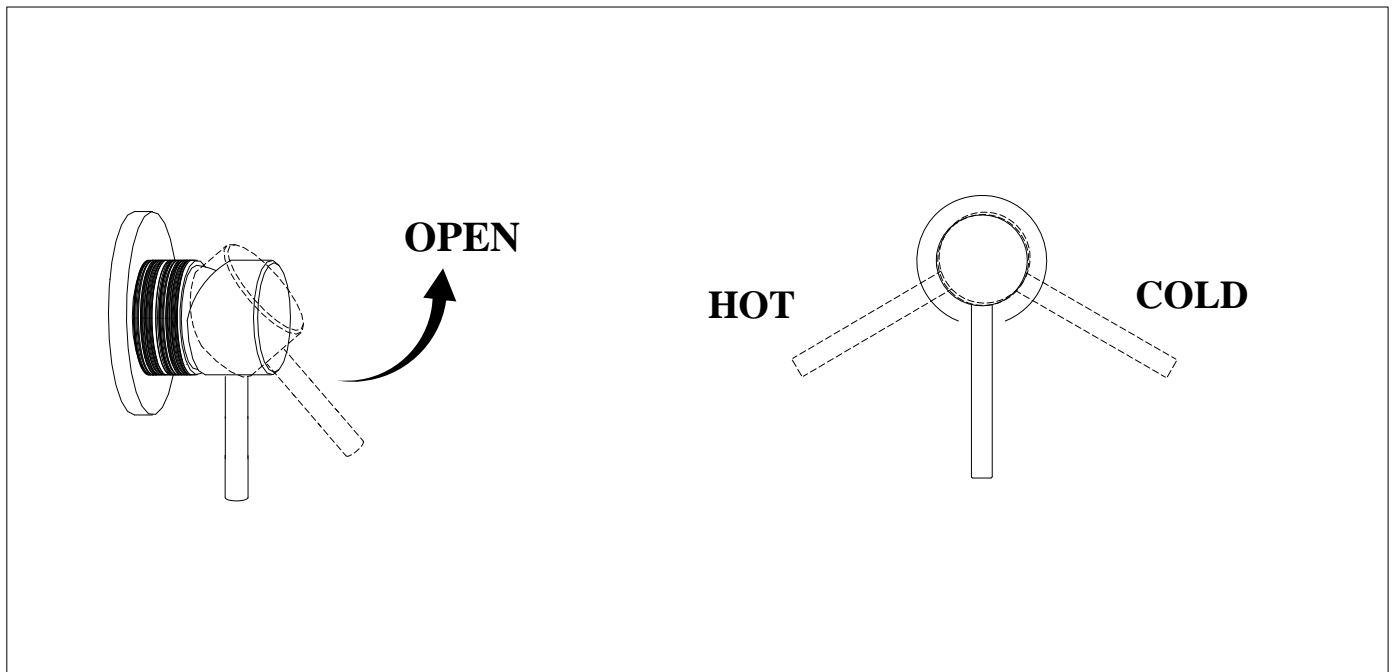


5 UNIT START UP

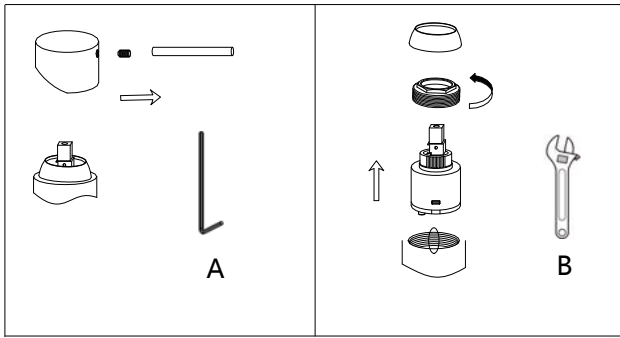
Turn on hot and cold water supplies, and check for leaks above and below the basin.

6 VALVE FUNCTIONS

By lifting the Lever Handle upwards, the valve will be activated. Water flow will increase by continuing to lift up the Lever Handle. By rotating the Lever Handle counter-clockwise, the water temperature will decrease. By rotating the Lever Handle clockwise, the water temperature will increase.



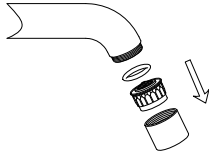
Replacement of Cartridge



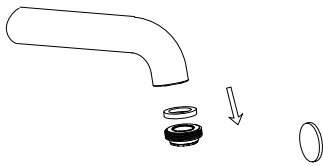
CLEANING OF AERATOR

To avoid the dust and impurities from construction that might influence the water flow, it is suggested to clean the aerator on a regular basis.

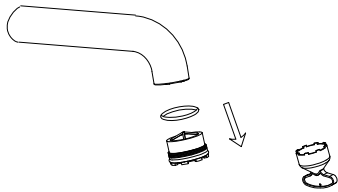
Type 1: Aerator with Housing



Type 2: Coin Slot Aerator



Type 3: Hidden Aerator with Aerator Key



Parts for Maintenance

Parts	Picture for Reference
Cartridge	
Aerator	

CAUTION: Maintenance

The valves must be turned off to release the pressure of waterpipe during maintenance.

NOTE: Cleaning Instructions:

For all decorative finishes, use only a soft damp cloth to clean and shine. Use of polish, detergents, abrasive cleaners, organic solvents or acid may cause damage. Use of other than a soft damp cloth will nullify our warranty.