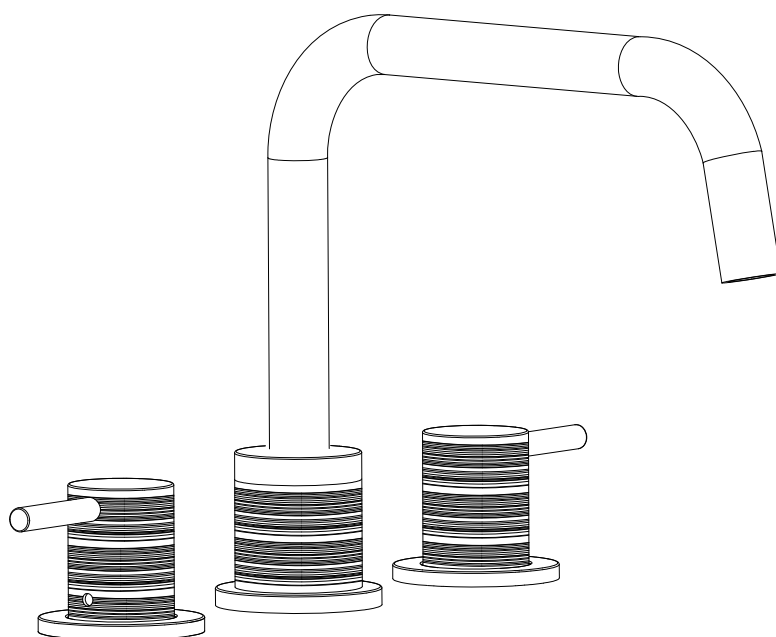


# Empire Deck Mounted Bath Filler

CODE: BeBa\_25979



## 1 NOTES FOR INSTALLATION

1) Installation must be carried out in compliance with The Water Fittings Regulations and Scottish Water Byelaws.


Minimum and Maximum working pressure : 0.5 - 5 bar

2) Please do not connect hot and cold water supply lines in reverse. This could result in hot water flowing from cold line and cause scalding.

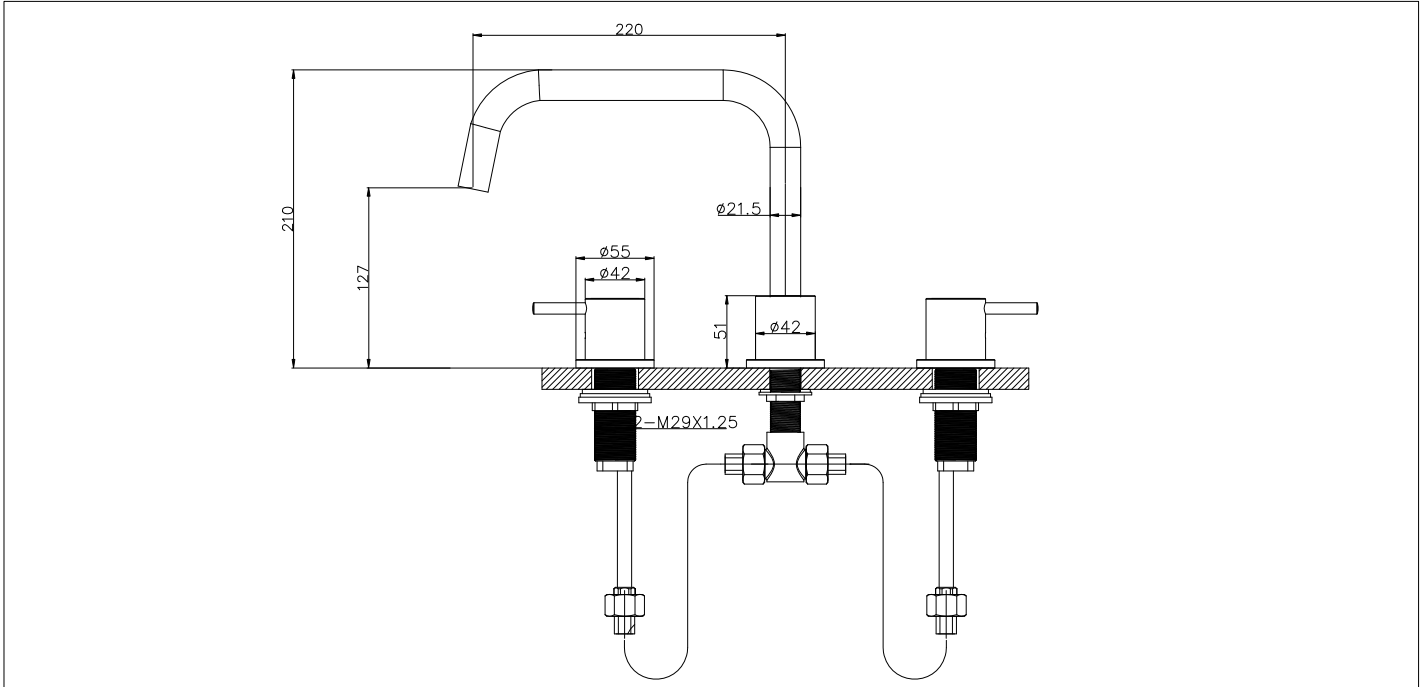
3) The feed-water temperature of water shall not exceed 85°C. Exceeding 85° may cause scalding, the service life of faucets might be shortened, or the faucet might be damaged.

4) The valve must be installed on the wall that is strong and thick enough.

5) After installation, please make sure the faucet is securely mounted.

 **Warning :** Read all the instructions completely before proceeding. We recommend calling a professional if you are uncertain about installing this product.

## 2 DIMENSIONS(mm)



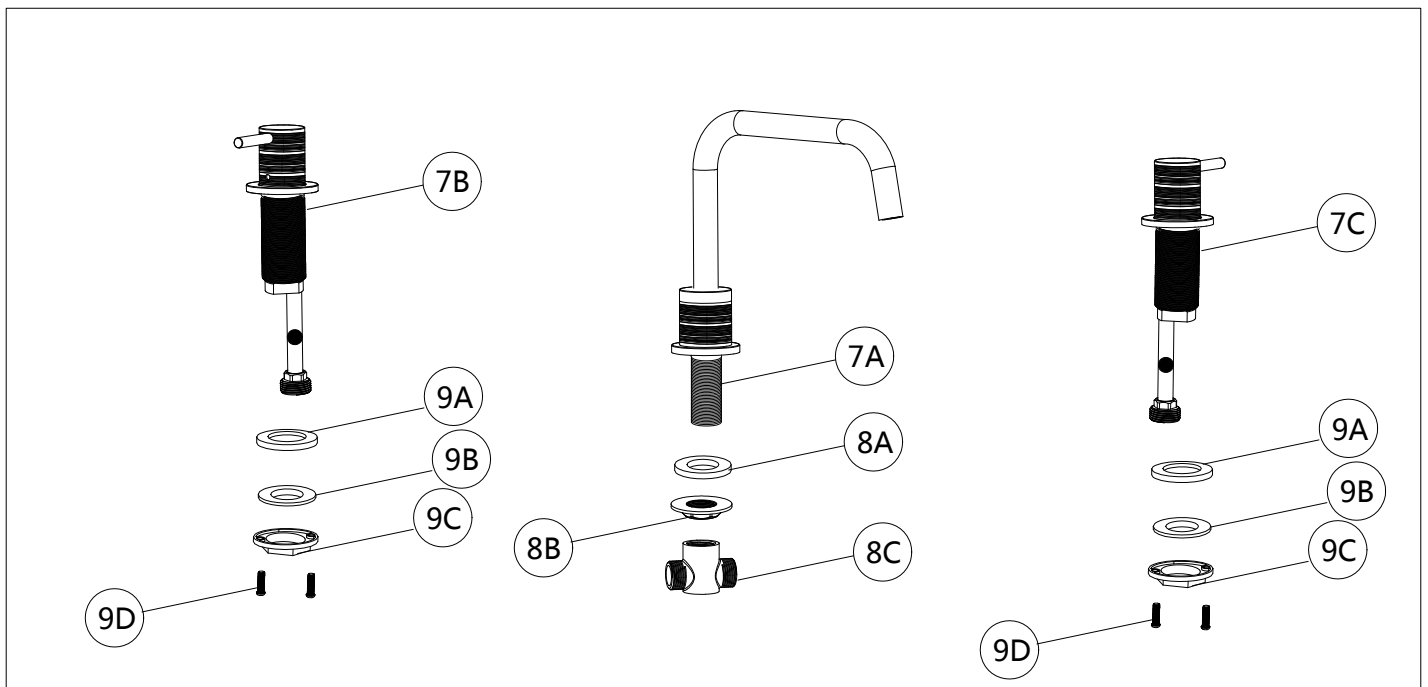
## 3 SHUT OFF WATER SUPPLY

Locate water supply inlets and shut off the water supply valves. These are usually found under the sink or near the water meter.

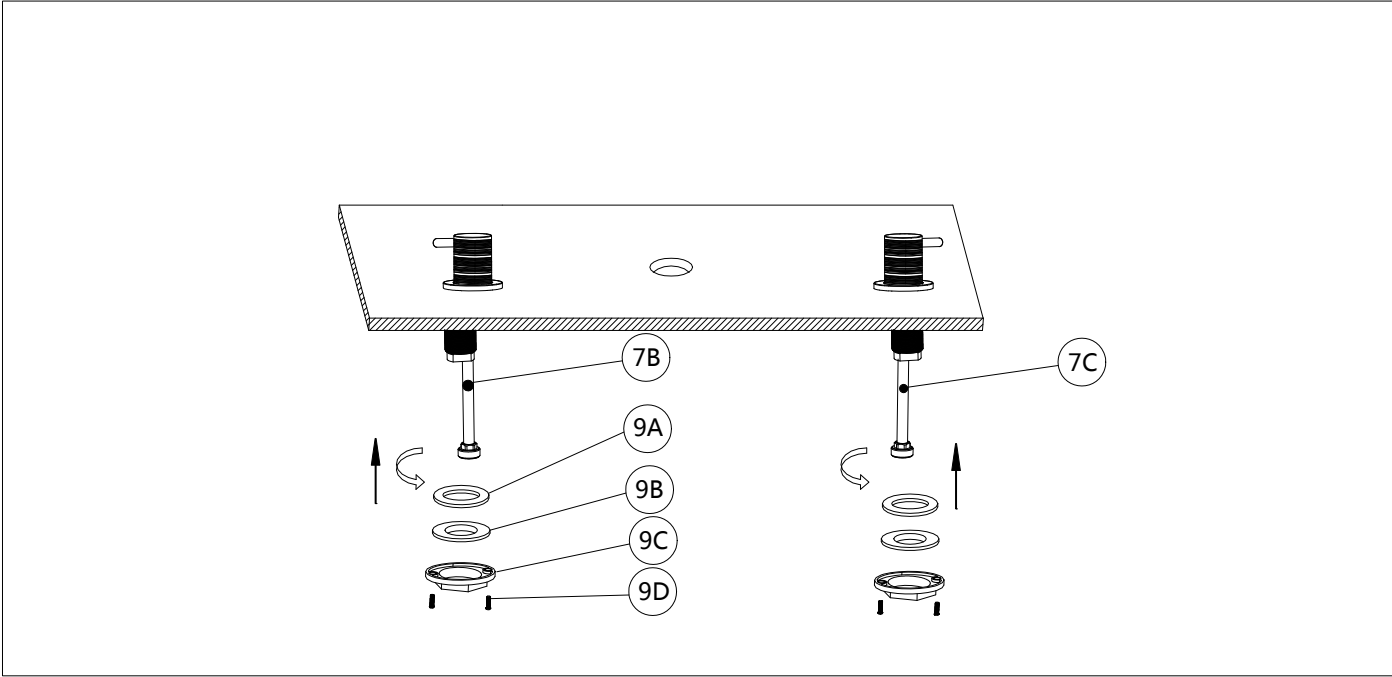
## 4 INSTALLATION

Remove the Body(8C) , Locknut(8B), and Rubber Washer(8A) from the assembled spout set(7A).

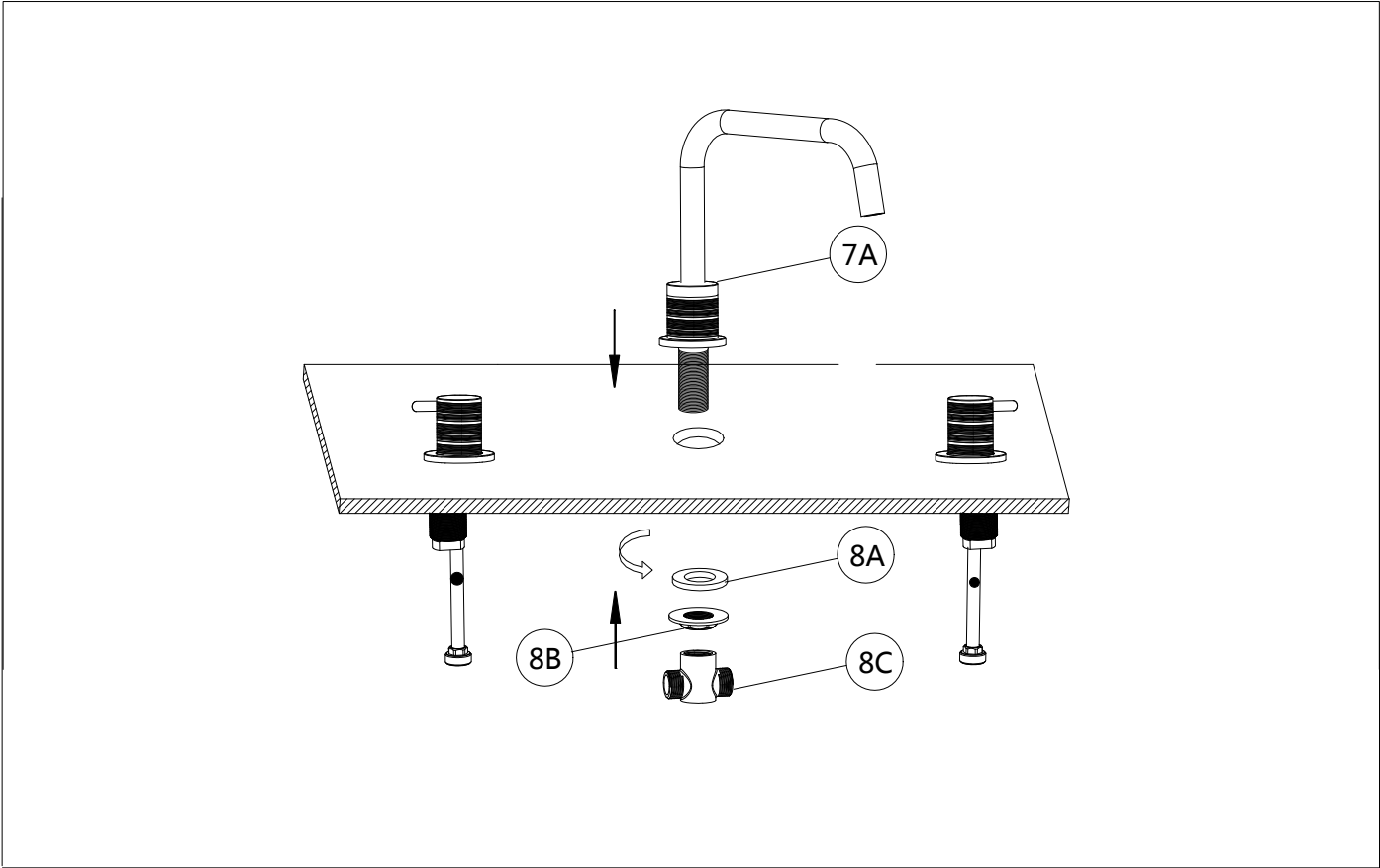
Remove the Screws(9D), Locknuts(9C), Metal Gaskets(9B), and Rubber Washers(9A) from the hot and cold control valves(7B & 7C).



Thrust the hot and cold control valves through holes on bathtub. From underneath basin, secure valves(7B & 7C) by placing Rubber Washer(9A), Metal Gasket(9B) and locknut(9C) onto the body. Fasten the two screws(9D) by using tool.

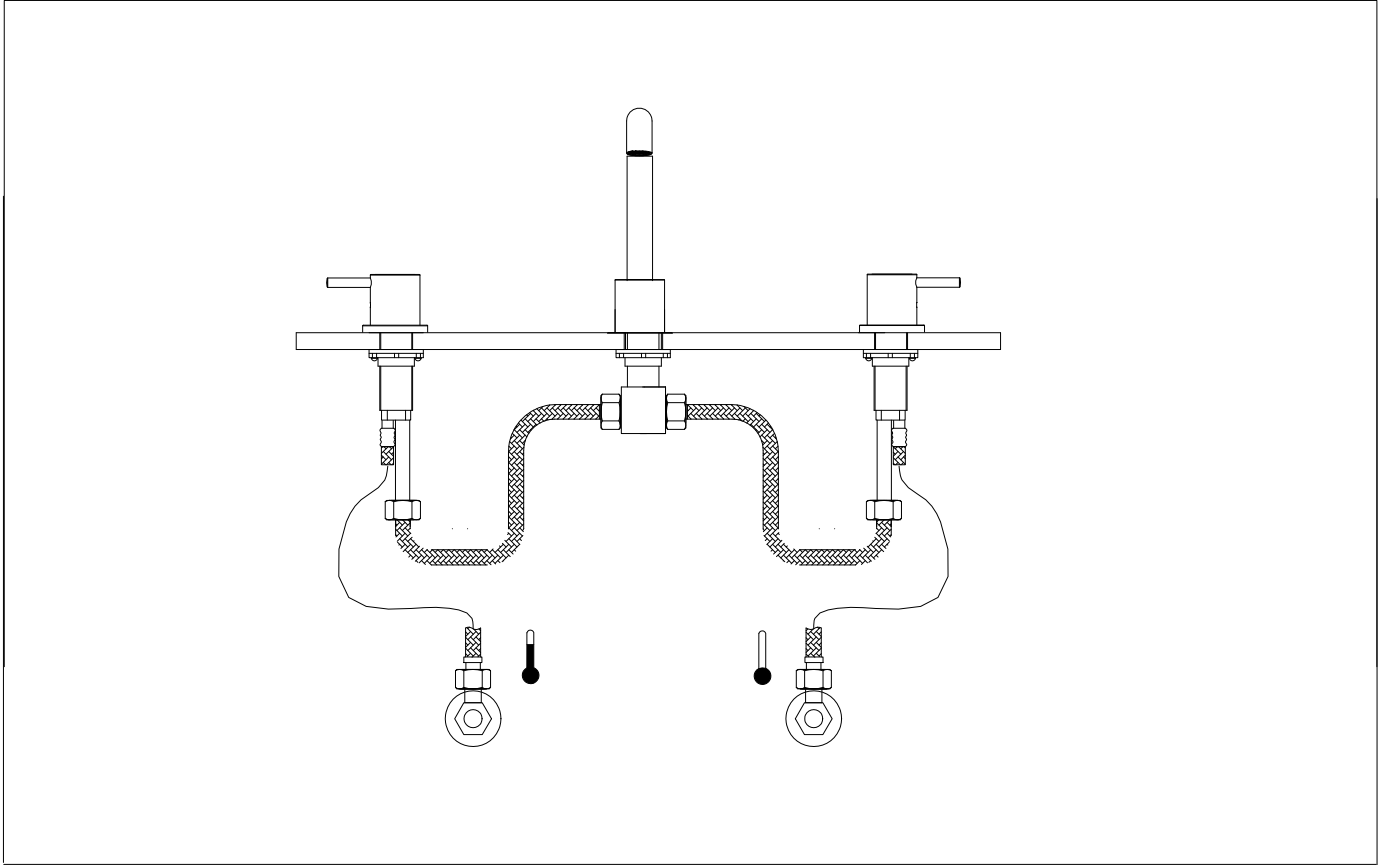


Thrust the spout(7A) through hole on bathtub. From underneath, install the Rubber Washer(8A), Locknut (8B)with the spout body, and tighten using tool. Connect it with the connecting body(8C)(Use tool if needed).



## 5 WATER SUPPLY LINES

Check if the washers are included into the connector of the hot and cold flexible hoses. Connect the flexible hoses as per below graph.



## 6 UNIT START UP

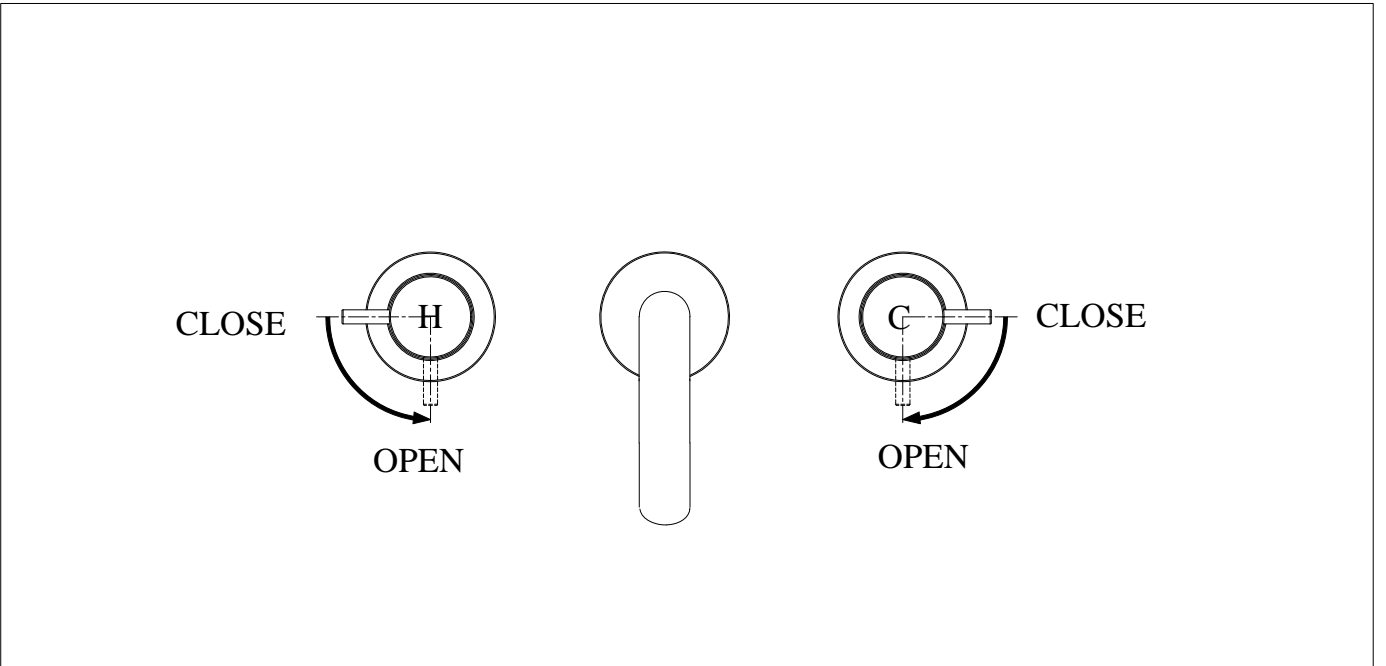
Turn on hot and cold water supplies, and check for leaks above and below the basin.

## 7 VALVE FUNCTIONS

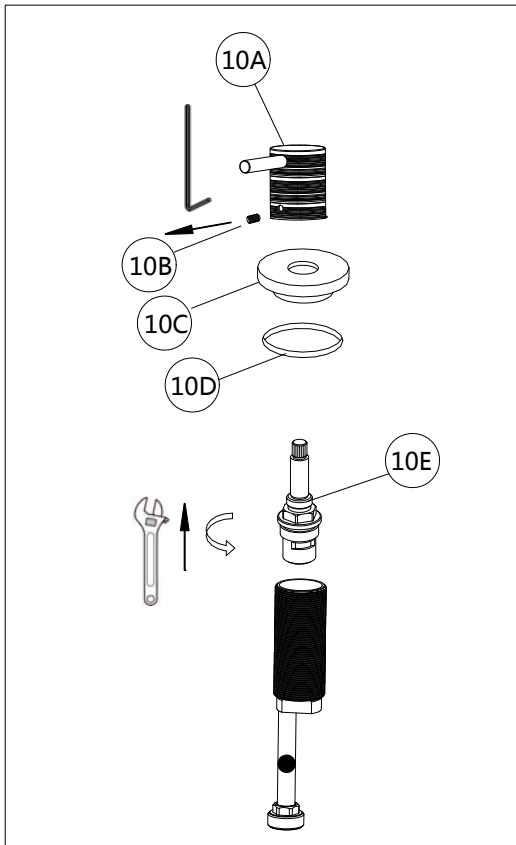
Hot valve(H): open by turning counterclockwise, close by turning clockwise;

Cold valve(C): open by turning clockwise, close by turning counterclockwise.

Turning angle 90 degree gets the highest water flow.



## Replacement of Cartridge



### CLEANING OF AERATOR

To avoid the dust and impurities from construction that might influence the water flow, it is suggested to clean the aerator on a regular basis.

Type 1: Aerator with Housing
Type 2: Coin Slot Aerator
Type 3: Hidden Aerator with Aerator Key

## Parts for Maintenance

Parts	Picture for Reference
Cartridge	
Aerator	



### CAUTION: Maintenance

The valves must be turned off to release the pressure of waterpipe during maintenance.



### NOTE: Cleaning Instructions:

For all decorative finishes, use only a soft damp cloth to clean and shine. Use of polish, detergents, abrasive cleaners, organic solvents or acid may cause damage. Use of other than a soft damp cloth will nullify our warranty.