


Empire Freestanding Bath Mixer

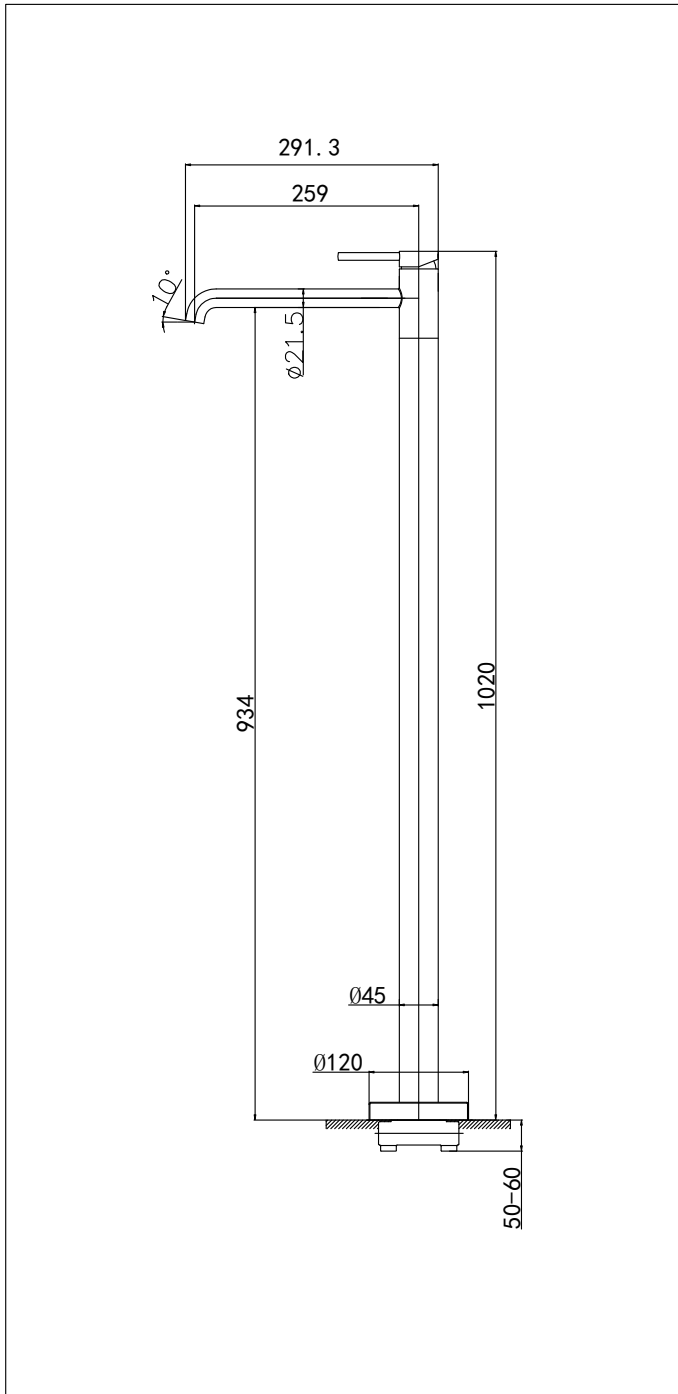
CODE: BeBa_25980



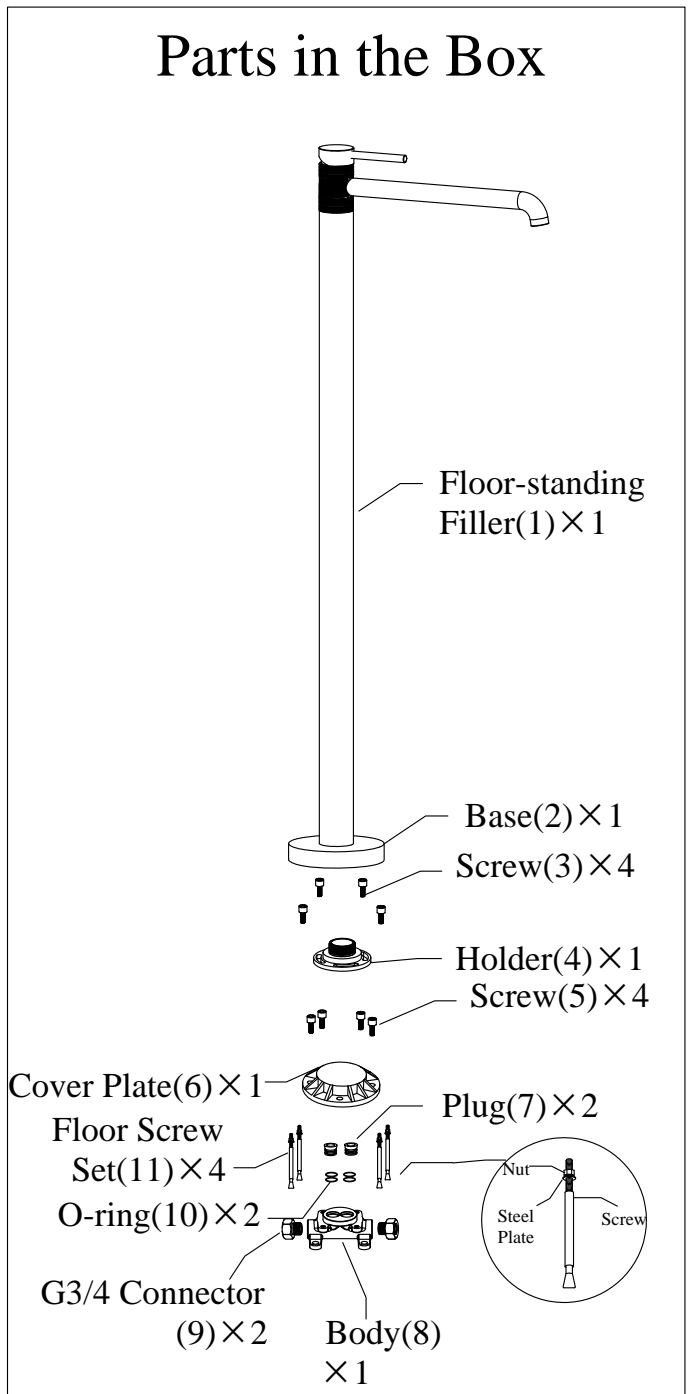
1 NOTES FOR INSTALLATION

- 1) Installation must be carried out in compliance with The Water Fittings Regulations and Scottish Water Byelaws.
Minimum and Maximum working pressure : 1 - 5 bar
 - 2) Please do not connect hot and cold water supply lines in reverse. This could result in hot water flowing from cold line and cause scalding.
 - 3) The feed-water temperature of water shall not exceed 85°C. Exceeding 85° may cause scalding, the service life of faucets might be shortened, or the faucet might be damaged.
 - 4) The valve must be installed on the wall that is strong and thick enough.
 - 5) After installation, please make sure the faucet is securely mounted.
-  **Warning :** Read all the instructions completely before proceeding. We recommend calling a professional if you are uncertain about installing this product.

2 DIMENSIONS(mm)



3 PARTS IN THE BOX

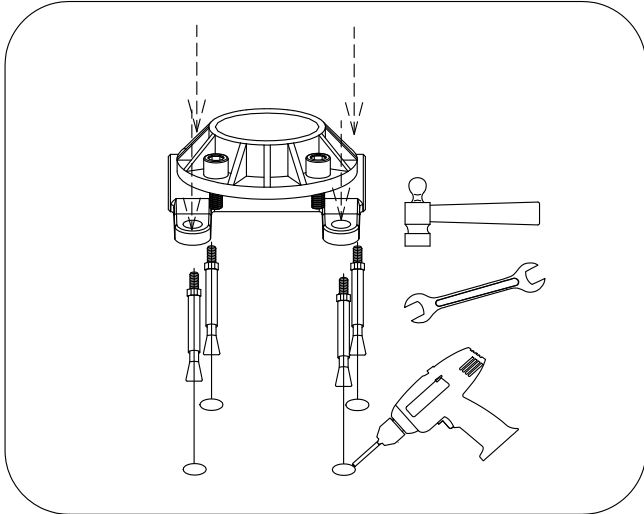


4 SHUT OFF WATER SUPPLY

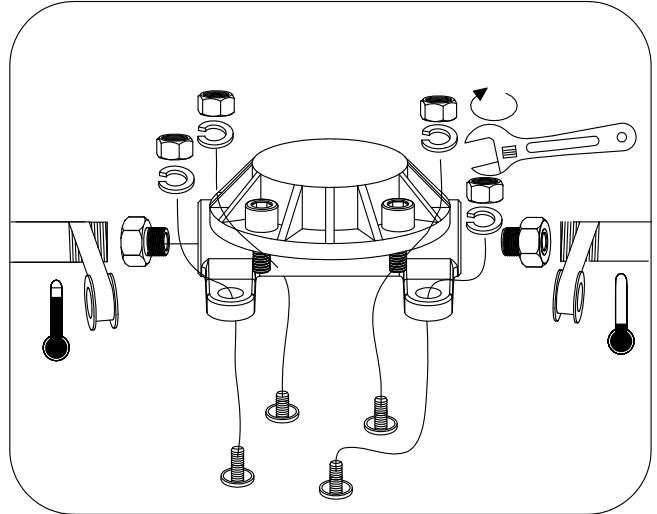
Locate water supply inlets and shut off the water supply valves. These are usually found under the sink or near the water meter.

5 INSTALLATION

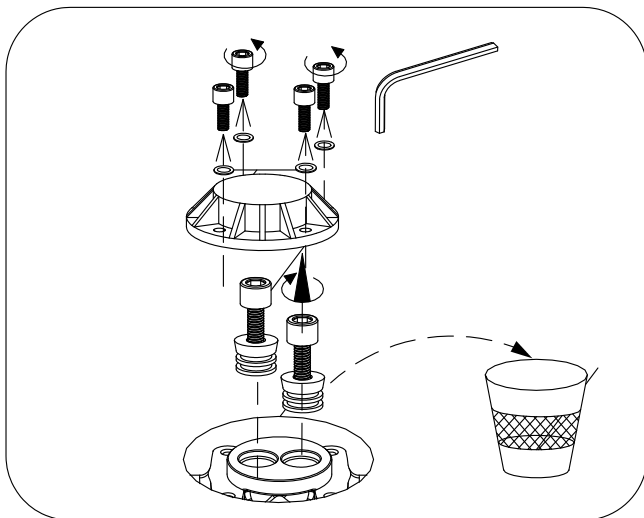
Mark out the fixing positions on the flooring basing on the body(8) and drill four holes.
Fix the floor screws(11) into the holes.



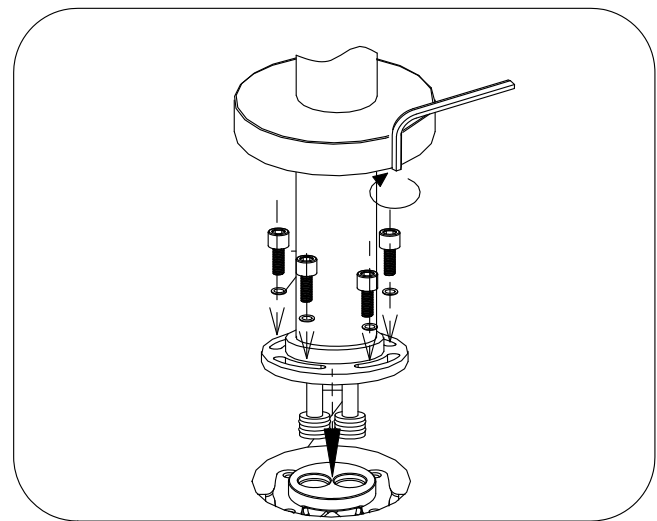
Fix the G3/4 connectors(9) to inlets of the body(8). Thrust the body over floor screws(11) and fasten with steel plate and nut. Connect the body(8) with hot (LHS) and cold (RHS) water pipes using thread seal tape.



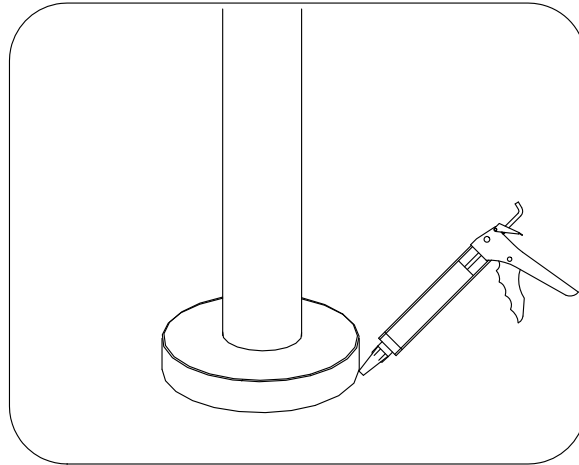
Remove the screws(5) on the cover template (6) with allen key, and take out the cover template(6) and plug(7).



Fasten the holder(4) with the body(8) by fixing screws(3).



Slide down the base(2)until it reaches the floor. Waterproof adhesive is recommended to be applied.

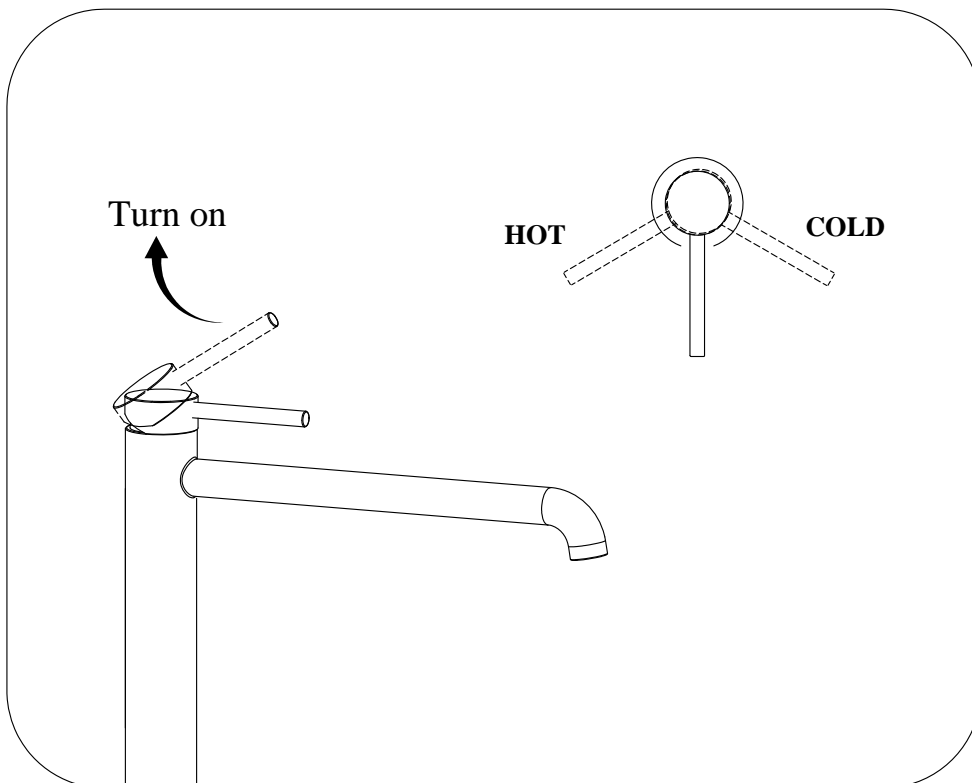


6 UNIT START UP

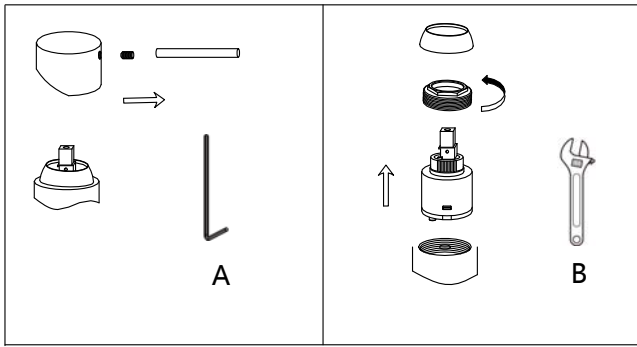
Turn on hot and cold water supplies, and check for leaks above and below the basin.

7 VALVE FUNCTIONS

By lifting the Lever Handle upwards, the valve will be activated. Water flow will increase by continuing to lift up the Lever Handle.
By rotating the Lever Handle counter-clockwise, the water temperature will decrease. By rotating the Lever Handle clockwise, the water temperature will increase.

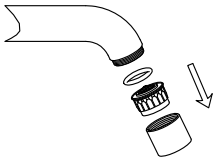
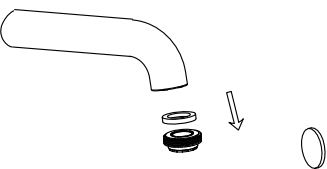
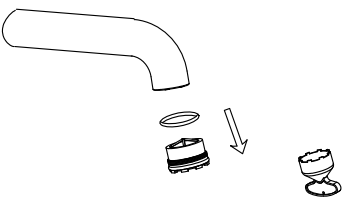


Replacement of Cartridge

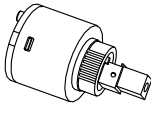



CLEANING OF AERATOR

To avoid the dust and impurities from construction that might influence the water flow, it is suggested to clean the aerator on a regular basis.

Type 1: Aerator with Housing

Type 2: Coin Slot Aerator

Type 3: Hidden Aerator with Aerator Key


Parts for Maintenance

Parts	Picture for Reference
Cartridge	
Aerator	



CAUTION: Maintenance

The valves must be turned off to release the pressure of waterpipe during maintenance.



NOTE: Cleaning Instructions:

For all decorative finishes, use only a soft damp cloth to clean and shine. Use of polish, detergents, abrasive cleaners, organic solvents or acid may cause damage. Use of other than a soft damp cloth will nullify our warranty.