

**Wetroom Pivot Screen**  
Installation Instruction

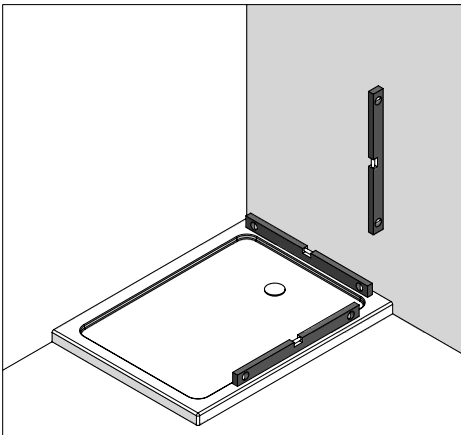
## IMPORTANT NOTES:

Please Read Carefully & retain these instructions for Future Reference.

1. For ease & safety we advise that two persons assemble this product.
2. Protect shower tray surfaces at all times.
3. Exposed glass corners / edges

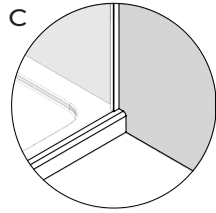
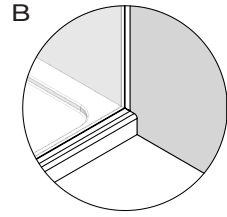
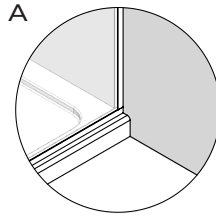
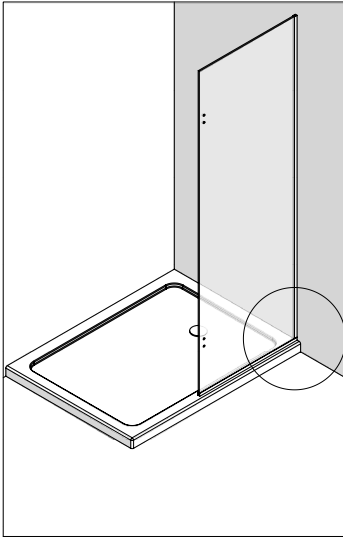
MUST NOT contact hard surfaces at any time.

4. Check for cables, pipes etc before drilling walls.
5. Ensure all surfaces are dry, clean & free of loose debris / dust.
6. Unpack goods with care (small parts can become lodged in packaging & inadvertently discarded).
7. Whilst precautions are taken in manufacture, care must be taken when handling as rail ends may have sharp edges.
8. Before commencing, check:
  - a) shower tray (or base) is level & completely sealed to finished / tiled walls.
  - b) finished walls are square to the tray and sound & free of cracks, loose tiles / grout.
9. AFTER INSTALLATION, DO NOT 'WET' ENCLOSURE FOR 48 HOURS TO ENSURE FULL CURE OF SILICONE SEALANT.



Prior to install check the tray is flat and square to the wall.

All tiling and grouting should be completed prior to fitting the screen.

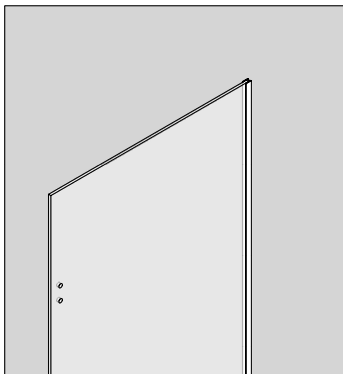


The channels supplied allow varying options for fitting:

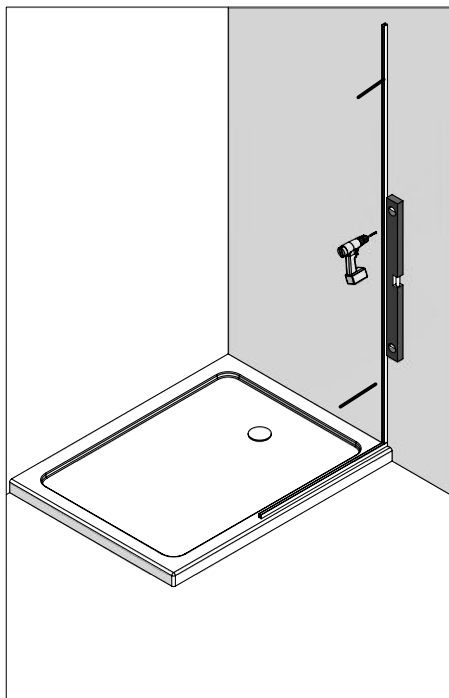
Option A: Wall Channel butt jointed onto floor channel

Option B: Wall Channel Mitred into floor channel

Option C: Wall Channel only



Using a hacksaw cut the channels according to the chosen installation option.



Mark the wall and channel for drilling avoiding areas such as tile edges.

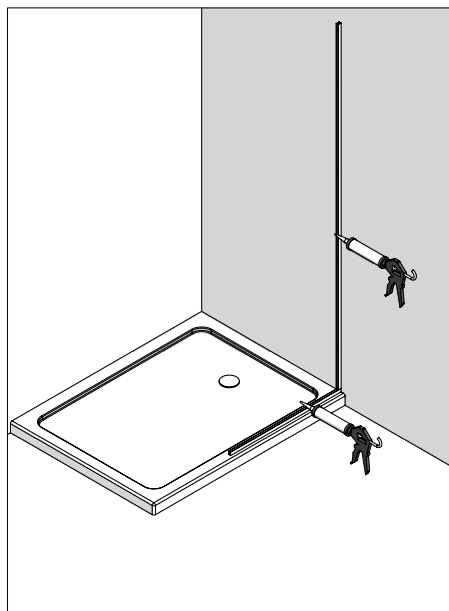
We would advise on at least 3 fixing points.

Drill the channel using a 3mm HSS drill bit.

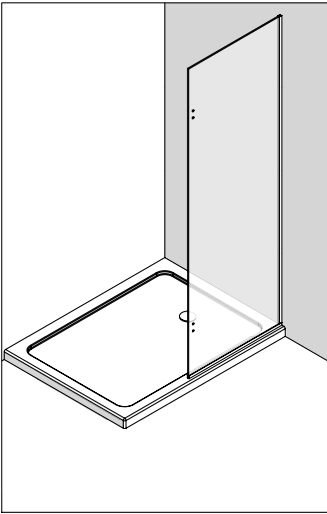
Mark the wall and drill for the wall plugs.

Secure the wall channel using screws and appropriate wall fixings.

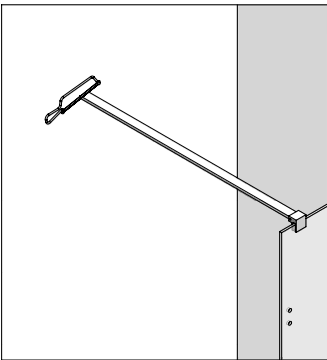
If fitting the floor channel this is best secured using silicone sealant.



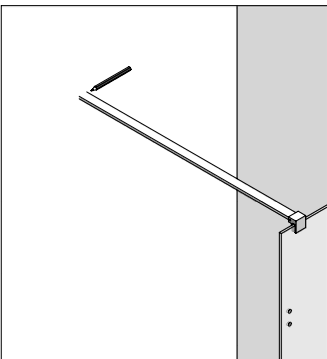
Apply glazing silicone sealant to the interior of the channels



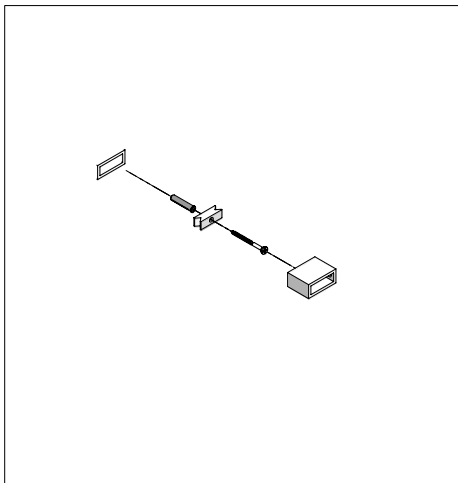
Using two people fit the fixed panel into the channels ensuring it is pushed in firmly into the wall channel.



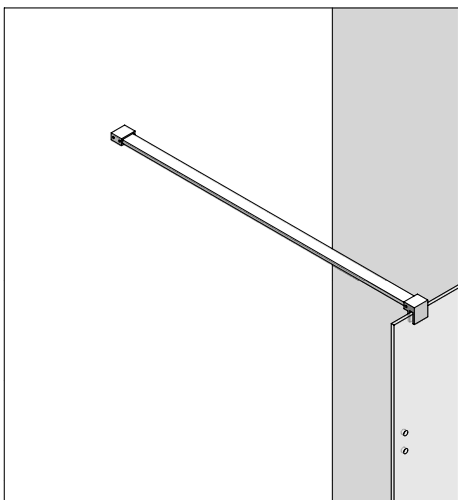
Loosely fit the clamp to the screen and cut the wall bar to the required length using a hacksaw. Measure no more than 10mm from the wall as a guide.



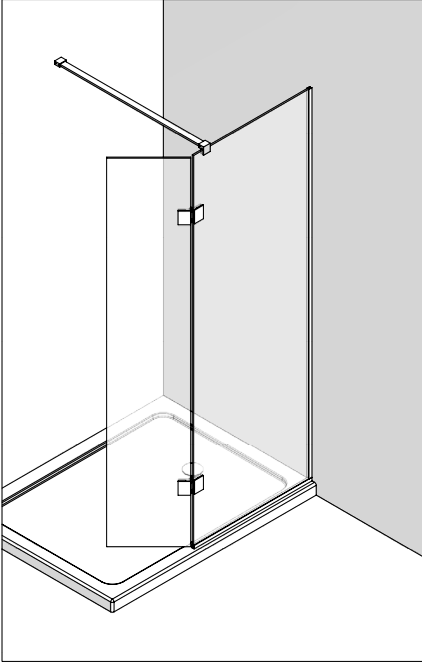
Mark the wall to indicate the location for the wall clamp.



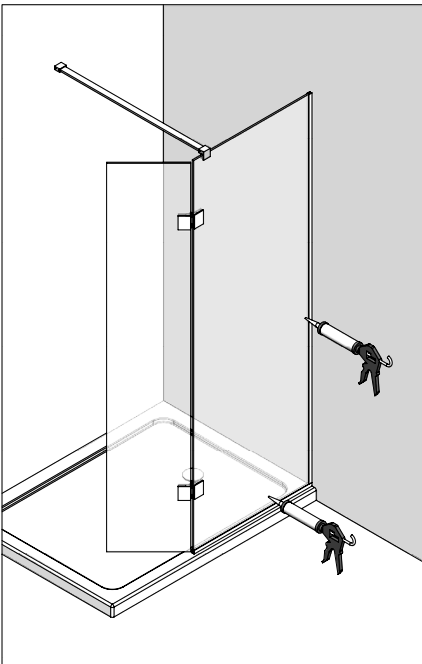
Drill the wall and mount the fixing as shown.



Fully secure the wall bar by tightening the grub screws.

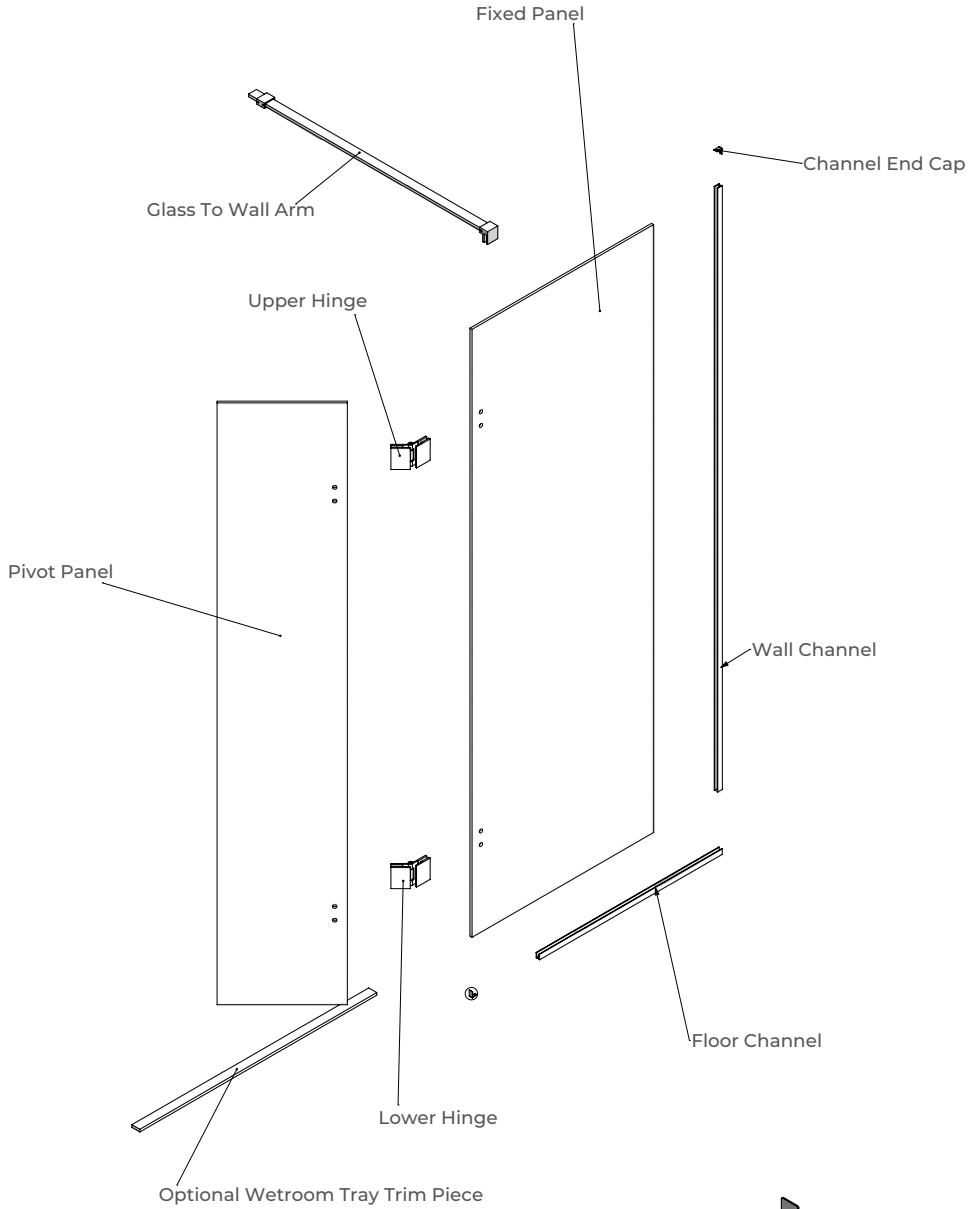


Attach the hinges to the fixed panel and mount the pivot panel.



Apply silicone sealant to the outside of the frame where the channels meet the tiles and tray.

**LEAVE FOR AT LEAST 24 HRS BEFORE USING**



End Cap Enlarged