

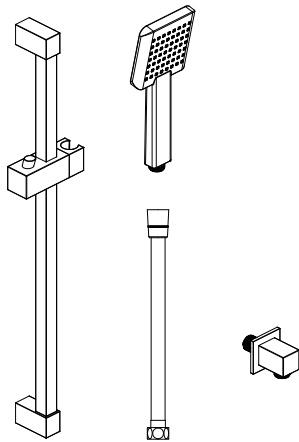
# USER MANUAL



Thank you for choosing Better Bathrooms.  
Please read this manual before installing your product  
and keep for future reference.

better  
bathrooms

## Product name - Rail Kit & Wall Outlet Elbow



**Please note: Image is for illustrative purposes only and may differ slightly to the actual product.**

- **Single-person assembly**
- **We always recommend using professional tradespeople to install your product**

V1\_16.03.2024

1

## Congratulations on your purchase

And welcome to our growing gang of savvy shoppers

We're on a mission to bring you extraordinary bathroom products, for less. From modern to traditional style ceramics, plus the gorgeous fixtures, fittings and furniture to match. So, you can fall in love with your space every single day.

As one of the UK's largest independent bathroom stores, we've received countless awards; including the National Business Awards UK, the Digital Entrepreneur Awards and being placed on The Sunday Times Fast Track 100.

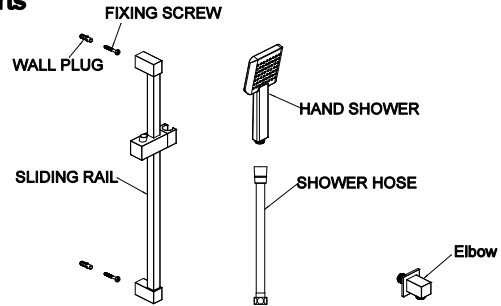
We hope your new product exceeds your highest expectations. However, if you experience any problems, please:

- log in to your account and contact our customer services team via your self-serve portal-betterbathrooms.com/CustomerAccount/Login.
- contact us via-betterbathrooms.com/content/contact-us.

## Important information

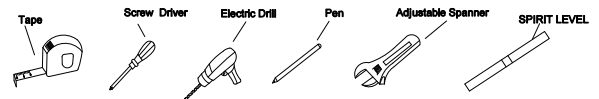
- Please read these instructions thoroughly and retain for future reference
  - Always ensure to flush the system prior to installation.
- Always check the wall before drilling to ensure no pipes or cables can be damaged

## Parts



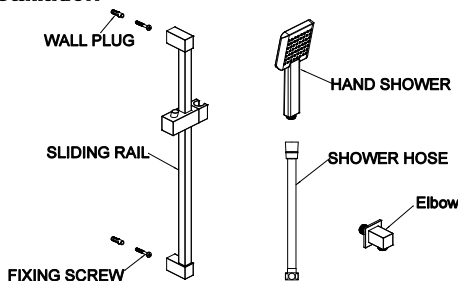
## Tools required

- Protective cloth

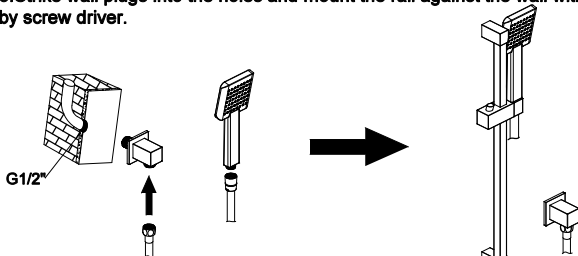


2

## Installation



1. Locate the rail on the wall properly and then mark holes according to the holes on the fixing plate.
2. Drill two holes of  $\varnothing 8\text{mm}$  with depth of  $\varnothing 45\text{mm}$ .
3. Strike wall plugs into the holes and mount the rail against the wall with fixing screws by screw driver.



4. Use teflon belt on the connector thread of wall elbow and then connect to the water supply.
5. Connect one end of the shower hose to the wall elbow, and the other end of the hose to the hand shower. turn on the water supplies, and check for correct operation.

## CLEANING

To maintain the surface of your product, wipe with a clean damp cloth and wipe dry. Do not use abrasive cleaning agents or materials which can strip and scratch the surface; the use of these agents or materials can invalidate your guarantee. It is recommended to wipe and dry on a regular basis.

### For more information

• visit [betterbathrooms.com](http://betterbathrooms.com)

• email [customerservices@buyitdirect.co.uk](mailto:customerservices@buyitdirect.co.uk)

• call 03303903062

• write to Trident Business Park, Neptune Way, Huddersfield, HD2 1UA

better  
bathrooms

Part of the BuyItDirect Group

3