

900 Quadrant Steam Shower Cabin with 6 Body Jets

PLEASE READ THE GUIDE BEFORE COMMENCING INSTALLATION



Please retain this document for future reference
Multiple person assembly

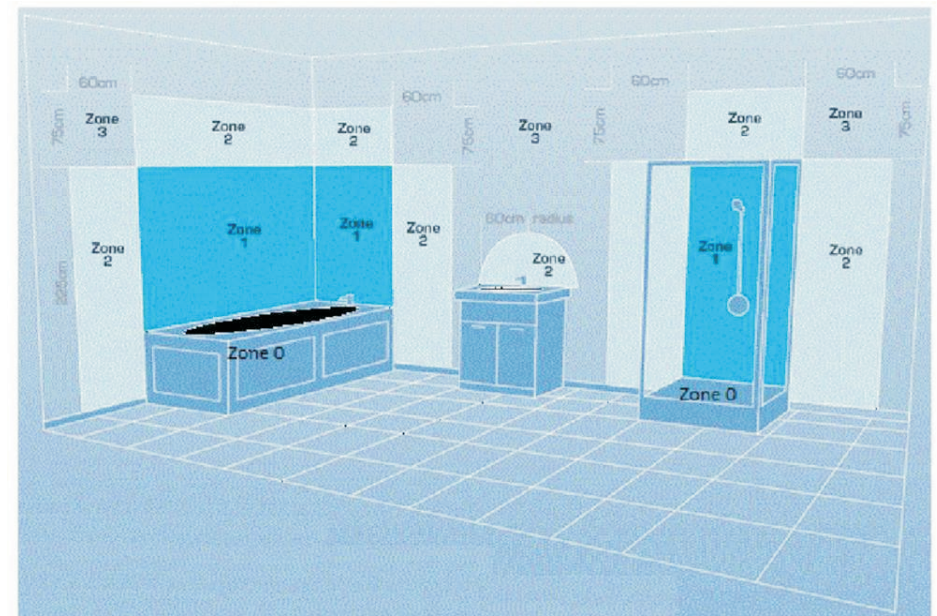
BUY IT DIRECT
Lowfields Way
Elland
Hx5 9DA

This product is IPX4 rated, and so no part of the installation is allowed to be within bathroom Zones 0 or 1. Installation is permitted within Zone 2 and outside of the bathroom zones as long as it is not in a position where it is likely to be sprayed with water.

Zone 0: The interior of the bathtub or shower basin.

Zone 1: The area around the bathtub or shower basin up to a height of 2.25m above the floor

Zone 2: The area stretching to 0.6m outside the bath or shower and above the bath or shower if over 2.25m



Information

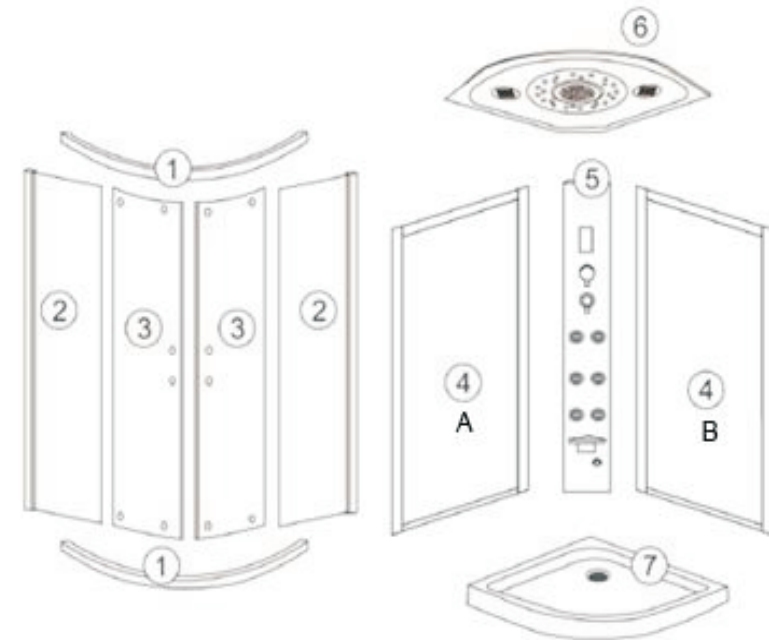
(Electrical work to be carried out by a Qualified Electrician)

- > This installation is a multiple person installation
- > Ensure the glass is not chipped or cracked before installation
- > AC Power supply of 220V + 10% 50 Hz which should be connected to an earthed 13amp fused spur switch, outside the bathroom.
- > Supply wiring to the unit should be no less than 4mm²
- > Water supply pressure 1.5 - 4 bar
- > The hot water supply should not exceed 65c
- > The water supply pipes should be fitted with isolation valves and be located to allow easy access.
- > The steam generator and steam outlet become hot during use and remain hot for a period after use, therefore contact with either can cause injury, do not touch until fully cooled.
- > After use always turn off the unit at the switch.
- > Any maintenance should only be carried out once the power supply to the unit has been isolated
- > Any maintenance should only be carried out once the water supply to the unit has been isolated
- > Separate electrical appliances producing steam or humidity are not to be used inside the cabin.

Tools Required



Parts



No	Description	Qty
No.1	Chrome rail	2
No.2	Fixed panel	2
No.3	Door	2
No.4A	Shower kit black back panel	1
No.4B	Shelf black back panel	1
No. 5	Control panel inc steam box & electrics	1
No.6	Roof - inc speaker, fan and lights	1
No.7	Tray inc waste	1

Parts

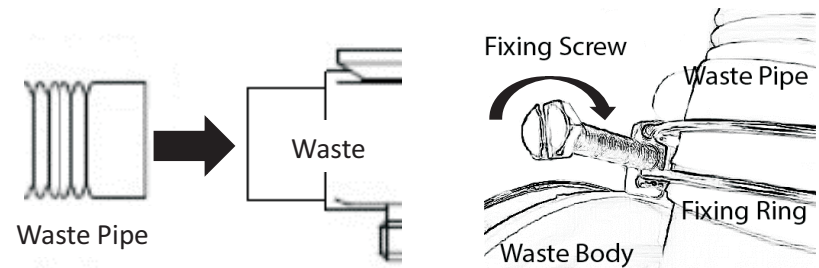
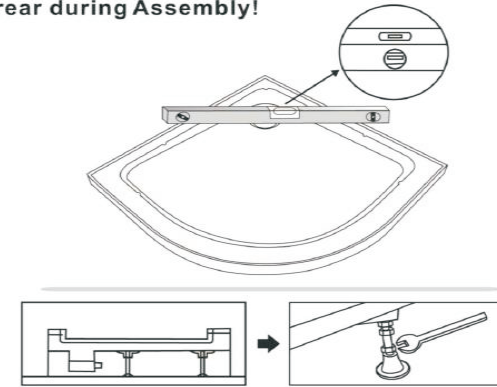
A Screws ST4X35 X8	B Screws ST4X12 X12	C Screws ST4X12 X4	D M4X25 X2
E M4X25 X12	F M4X16 X12	G M6X60 X4	H Hand shower X1
I shower hose X1	J1 Upper Roller X4	J2 Bottom Roller X4	K shower hook X1
L glass shelf X1	M Cover X2	N Rubber Seal X4	O Glass retaining clip X4
P Handle X2	Q Plastic elbow X2	R Outlet Elbow X1	S Mirror X1
T Drill bit 3mm X1	U Allen Key X1	V Steel plate X1	W Drill bit 5.2mm X1
X waste pipe X1			

Check all parts are present before commencing the installation

Tray Install

! Check for removal of any protective film/tape

Access will be required to the rear during Assembly!



Before installing the tray, connect the waste pipe (X) and fixing ring to the waste body, once connected tighten the ring using the screw.

Place the tray into waste into the required location

Once in position check the tray is level

If levelling is required, adjust the legs on the tray

Check the tray using a spirit level

Once the tray is level, tighten the securing nuts on the legs

After levelling, connect the pre-fitted waste tube to the household waste pipe using an adequate sealing method.

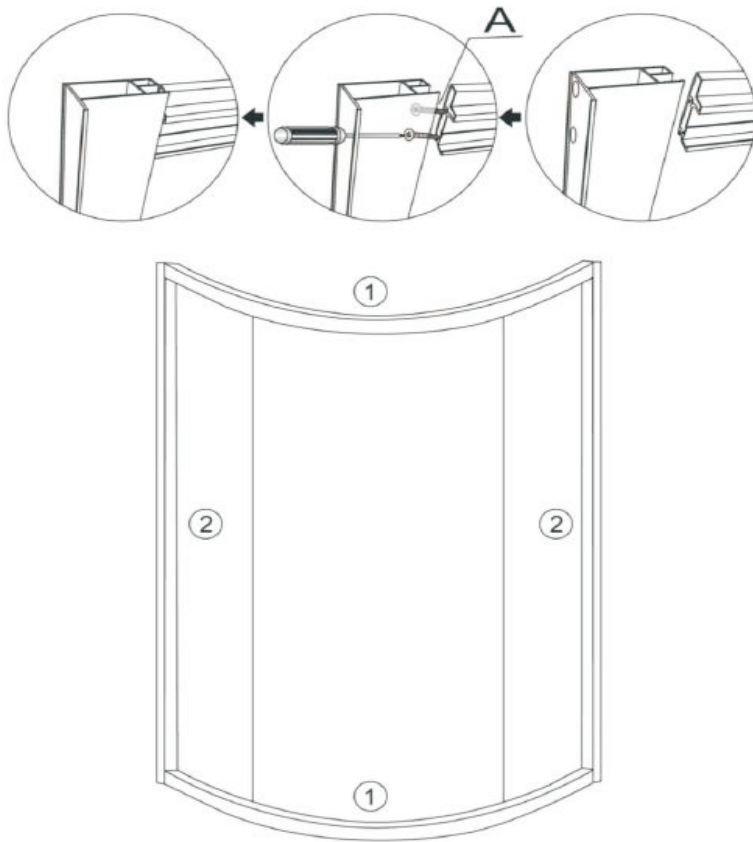
Check for leaks before continuing the installation

Also check sufficient fall is provided for the waste pipe

Install

(Multiple person assembly)

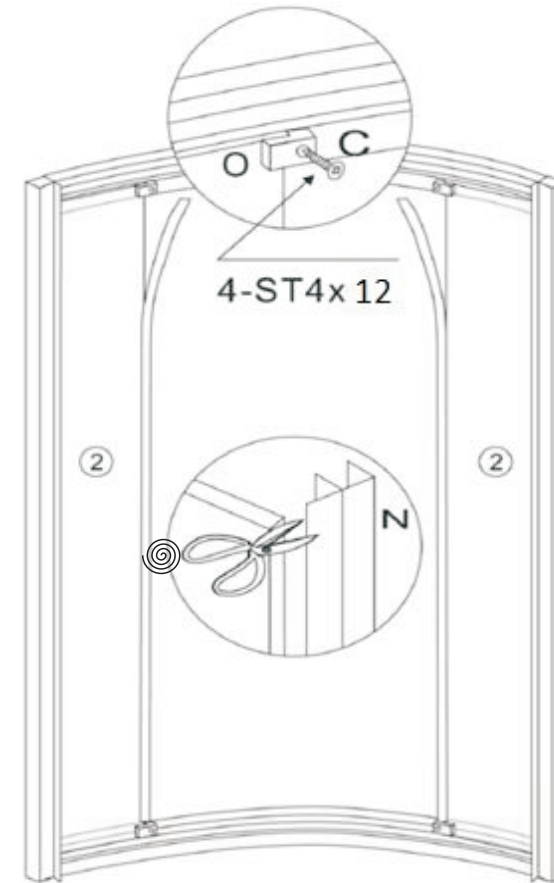
1. Connect the top and bottom rails (1) to the fixed panels (2)
2. Hold the rail (1) to the front face of the chrome profile (2)
3. From inside the profile connect the screws (A) and tighten into rail



Install

4. Push seal (N) onto the edge of the fixed panel (2)
5. Ensure the fin on the seal faces inside the enclosure
6. Fit the glass clips (O) to the rail using screws (C)
7. Ensure clips are secure to retain the fixed glass

Note: Seals may require trimming to size



Install

(Multiple person assembly)

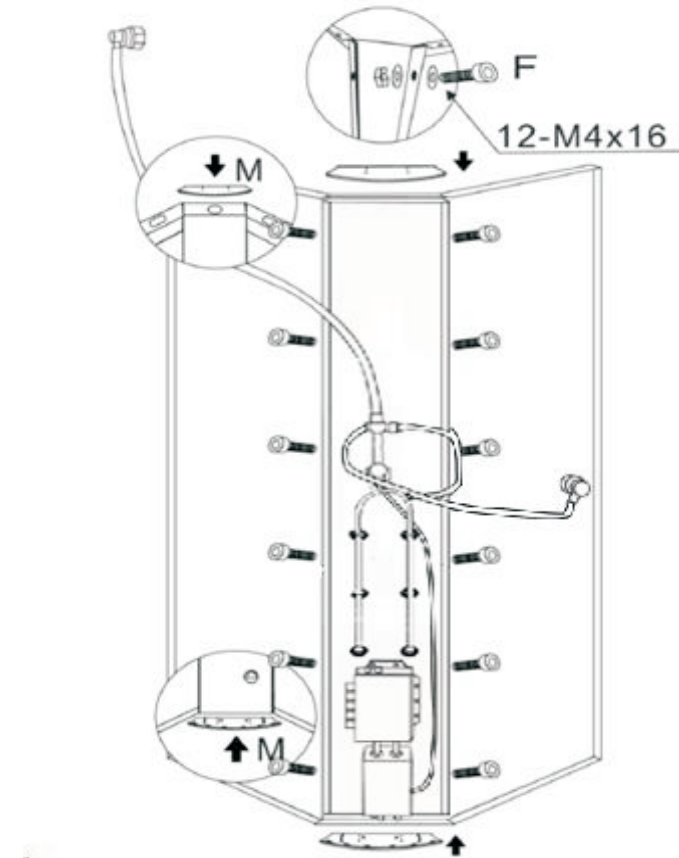
8. You must seal the frame as shown below, along the length of the touching surfaces (Do not seal on the inside)

! Failure to seal in this way may allow water to escape through the touching surfaces and to the outside of the enclosure.



Install

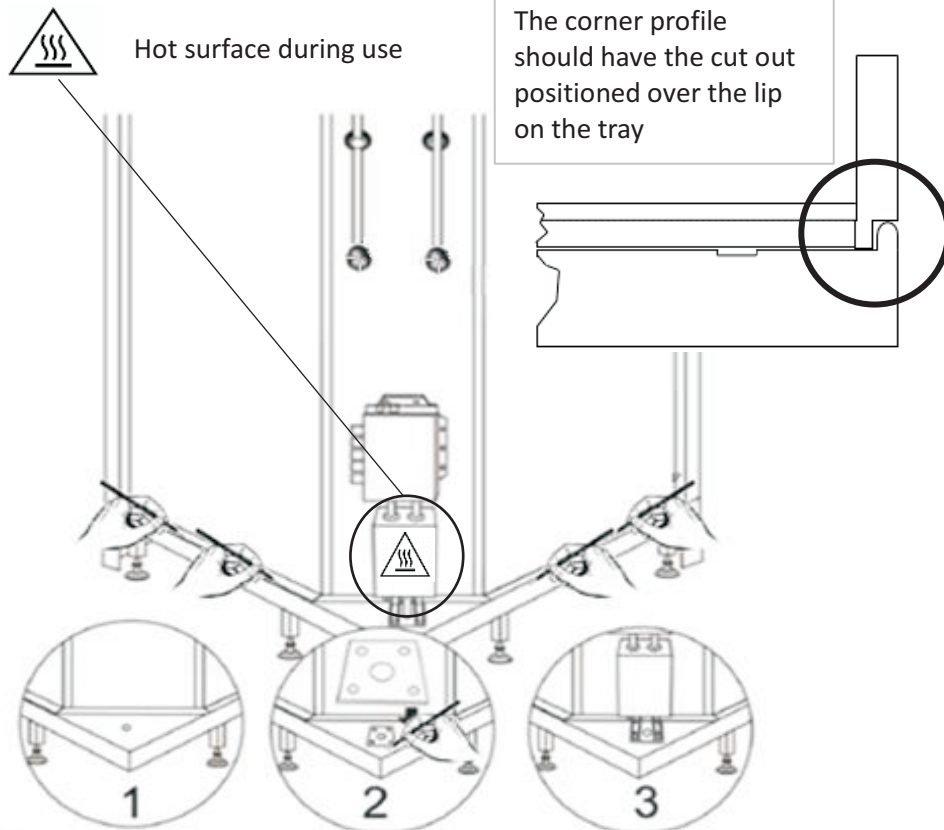
9. Attach the top and bottom covers (M) to the end of the central panel (5)
10. Push the back panels (4A and 4B) to the central panel (5) after being sealed and align correctly.
11. Secure together using the nuts and bolts (F)



Install

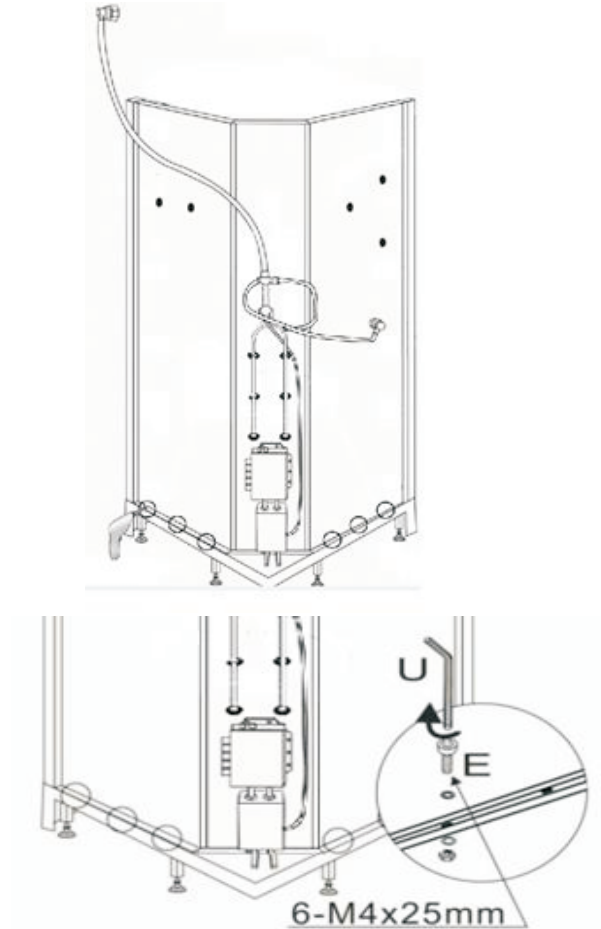
(Multiple person assembly)

12. Place the panel assembly onto the tray and align frame with tray.
13. Place the steel plate (V) onto the back corner of the tray
14. Align the steam generator to the steel plate, once steam generator and frame are aligned, mark drill holes onto tray.



Install

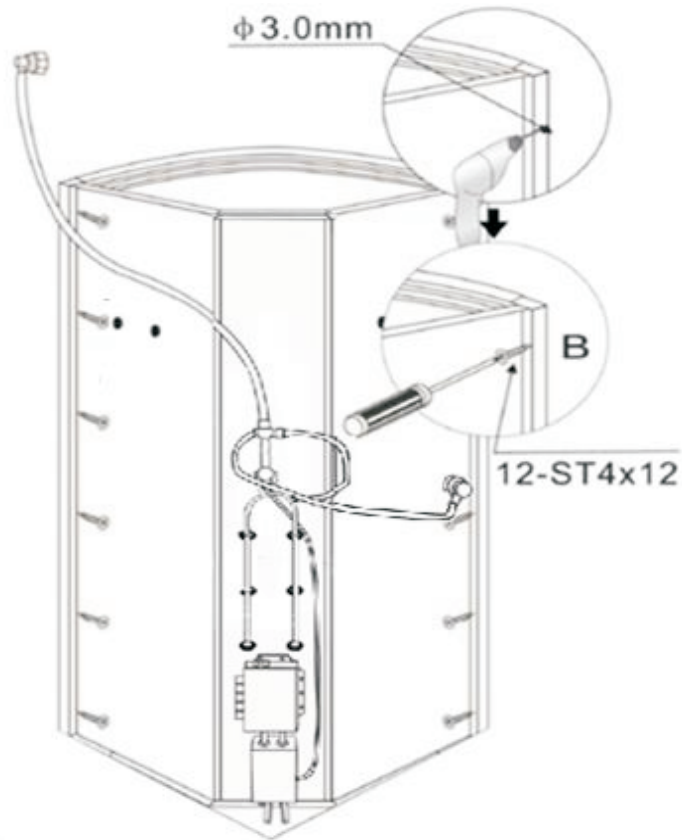
15. Remove assembly, drill holes using 5.2mm drill bit (supplied) (Drill should not be on hammer setting)
Hold this frame and secure into position using the fixings provided, as shown below.



Install

(Multiple person assembly)

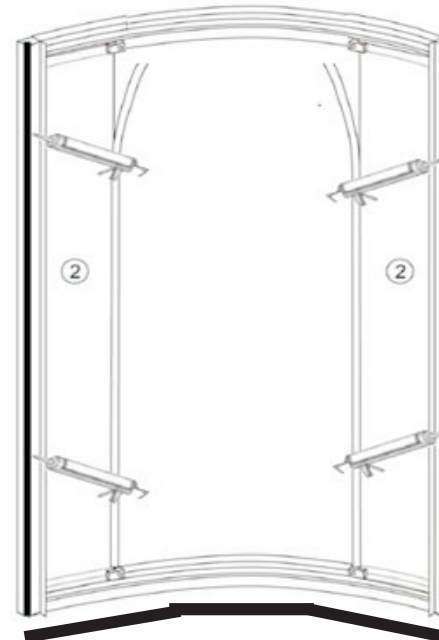
17. Place the front frame and glass onto the tray and align on the tray and with the back panels, drill frame using a 3mm drill bit. Remove the assembly.



Install

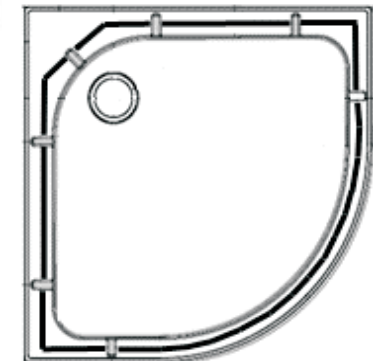
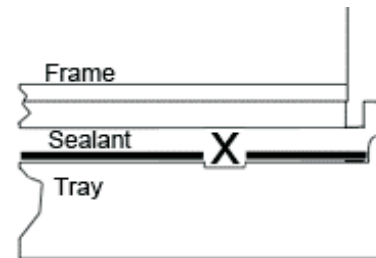
18. Seal the frame as shown, before connecting the front frame to the back panels and to the tray.

! Failure to seal in this way may allow water to escape through the touching surfaces and to the outside of the enclosure.



Align assembly on the tray to position frame holes over drilled holes in tray

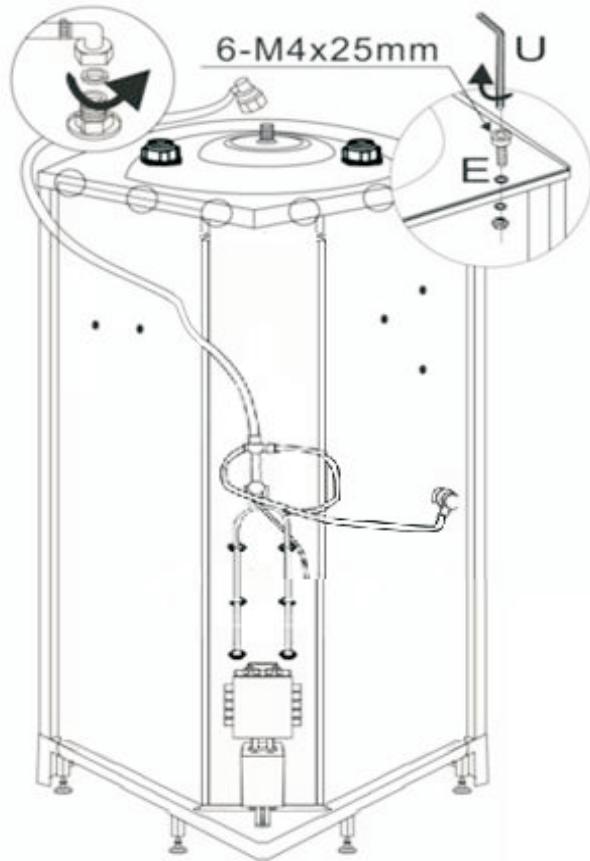
When sealing between the frame and tray ensure to seal up to the drainage slot in the tray, do not block the drainage slot.



Install

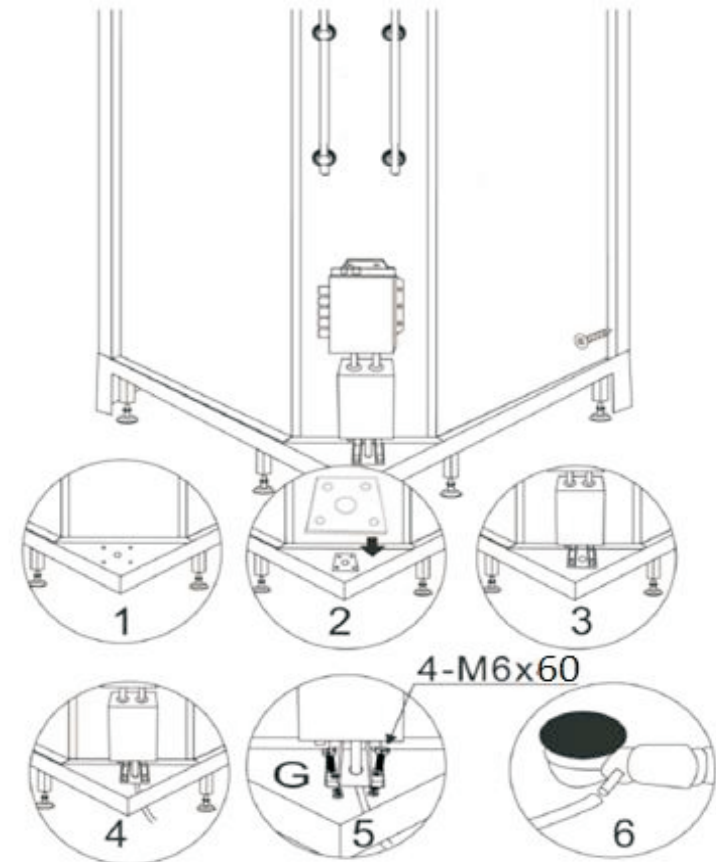
(Multiple person assembly)

19. Place the roof (6) onto the assembly and secure to the frame using fixings provided
20. Connect flexi-tube from mixer to shower head connection, ensure seal is fitted and tighten



Install

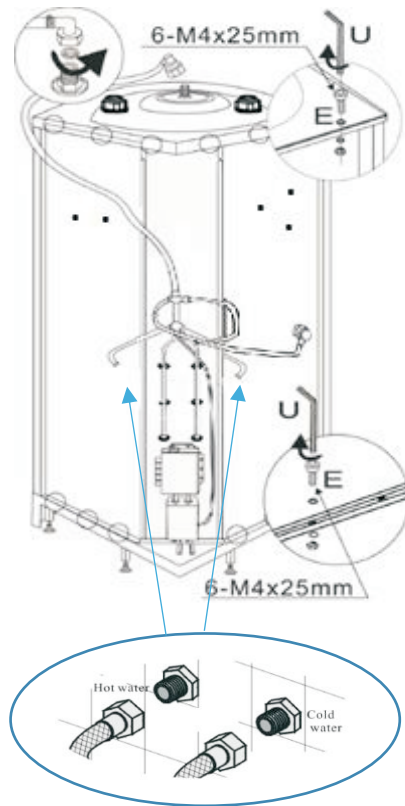
21. Secure the steam generator frame to the steel plate (V) using nuts and bolts (G)
22. Insert steam generator hose through centre hole in plate (V) and connect to outlet on shower waste (Pic 6)



Install

(Multiple person assembly)

23. To connect the mixer to the water supply, you will require 2 x flexi connectors with 1/2" female nut (not supplied)
24. When looking at the front of the enclosure the hot supply must be connected to the left inlet, failure to do this will cause issues with the thermostat function
25. When installing the flexi-tails do not create flat spots, kinks or bend excessively as this could result in damage to the tail and affect performance.
26. Turn on water supply and check for leaks



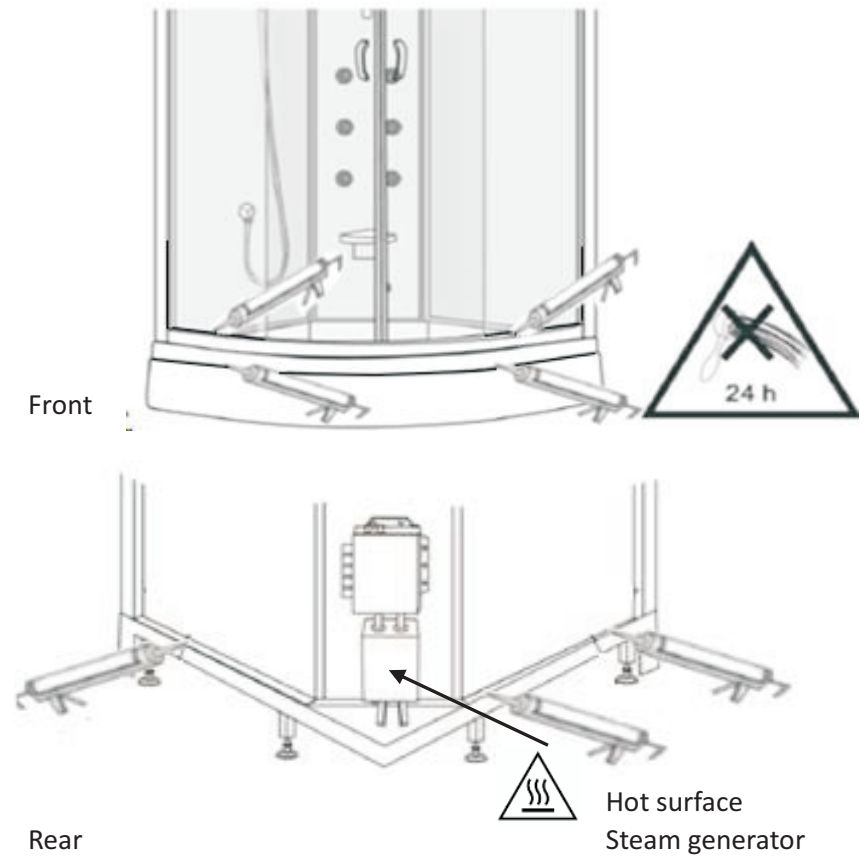
Flexi-pipes not supplied

Install

27. Seal the outside of the enclosure, along the front edge where any touching surfaces meet.
28. Seal along the back and side edges where the frame meets the tray, ensuring not block the drainage slots

DO NOT SEAL INSIDE

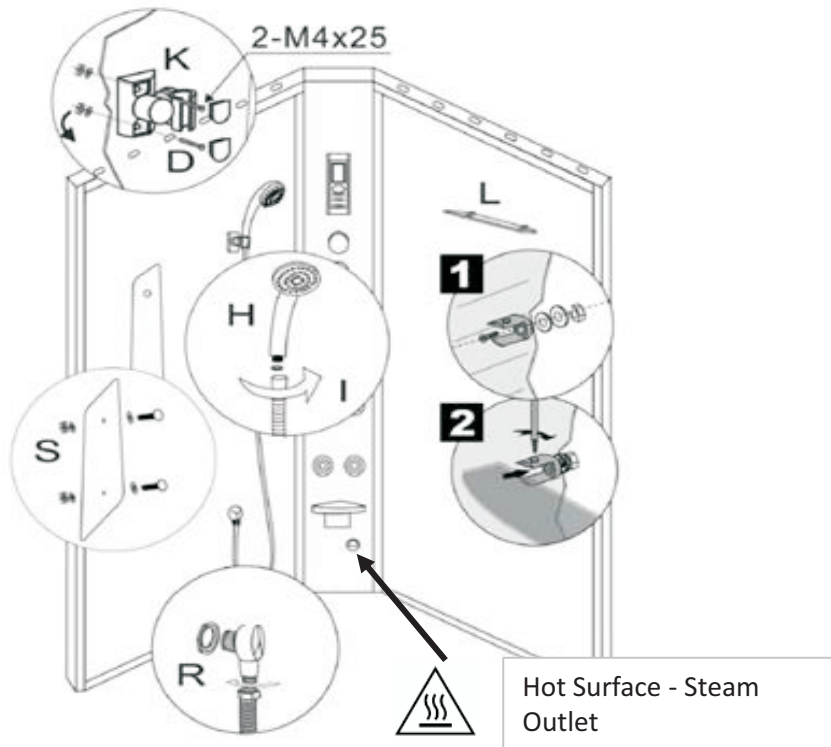
DO NOT USE FOR AT LEAST 24 HOURS



Install

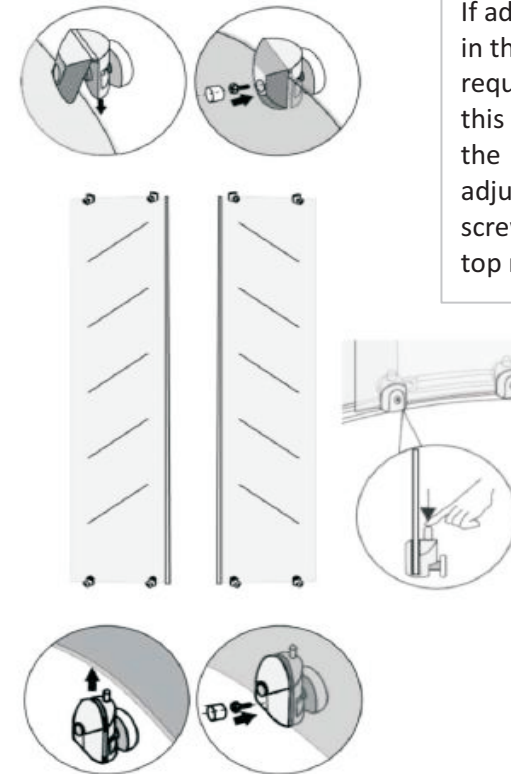
(Multiple person assembly)

30. Connect handset holder (K) to the left hand back panel tighten and secure using fixings (D), do not overtighten
31. Connect mirror (S) to left hand back panel
32. Connect hose outlet (R) to left hand back panel using nut provided, with thread for hose facing down
33. Attach fixings for shelf to right hand back panel and secure, then slide the glass into the brackets and secure using retaining screws within the brackets
34. Connect shower hose to outlet (R) and handset (H) ensuring to fit seals (cone end to fit inside holder K)



Install

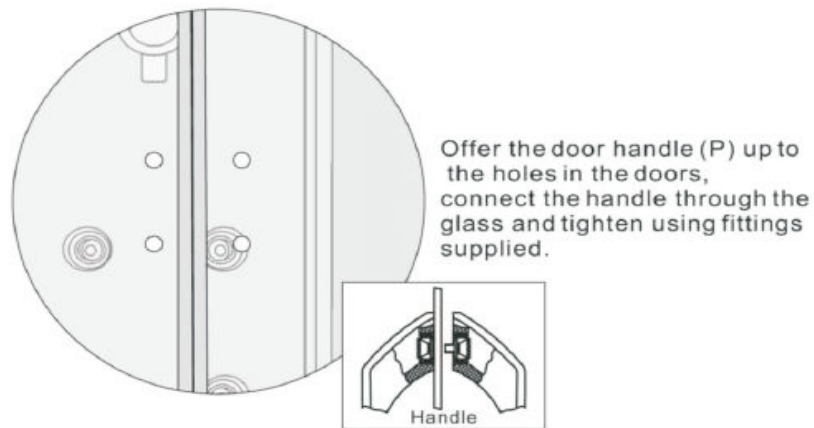
35. Fit fixed roller (J1) to top of each glass door, secure and fit cover
36. Fit spring bottom rollers (J2) to bottom of each glass door, secure and fit cover
37. Hook the door onto the top rail, push the door towards the bottom rail, then press down on the bottom roller to hook under the bottom rail, then release.
38. Push vertical door seals (N) onto back edge of door, cut if required



Install

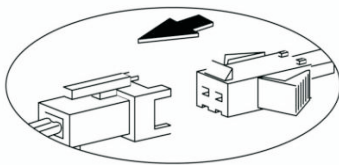
(Multiple person assembly)

39. Offer the handle up to the pre-formed holes in the doors
40. Join the handles through the glass and secure using the fittings supplied



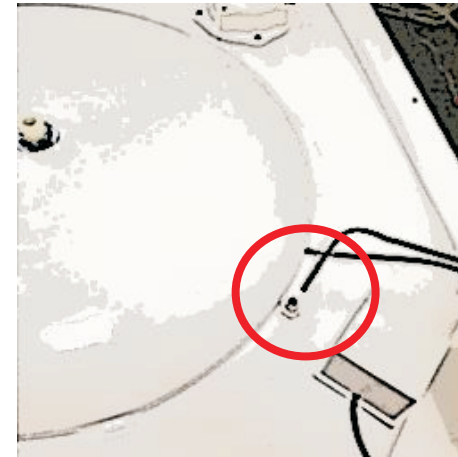
Cable Connections

41. All connections need to be made before moving the enclosure into its final position.
42. Connect the earth cable to the metal frame of the tray.
43. Join the clip connectors as shown below



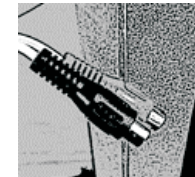
Cable Connections (Cont)

- The clips are colour coded ie blue to blue, red to red. They are also labelled with symbol indicators. You will have a white connector which is for connection to the back light, on this model this is not to be used.
44. The heat sensor should be pushed into the small hole on top of the cabin roof, as shown below.

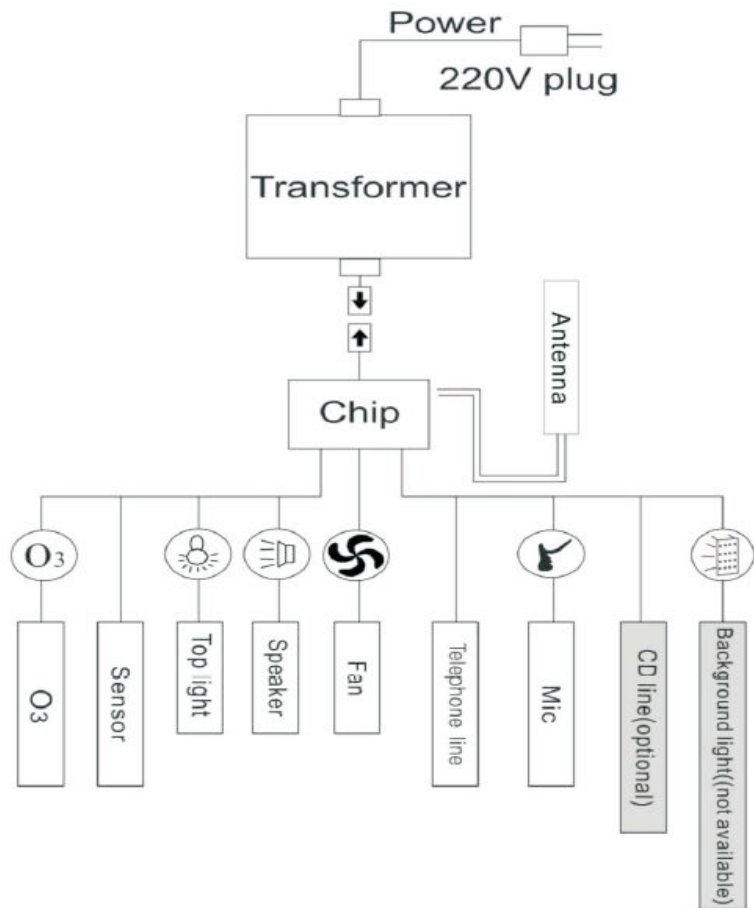


45. The radio aerial strip should be un-wound and attached to the roof of the cabin or where the best signal is achieved.
46. Also on the rear of the control panel are a red and a black audio output connector, these should be connected to audio cable which in turn are then attached to your CD player located outside the enclosure

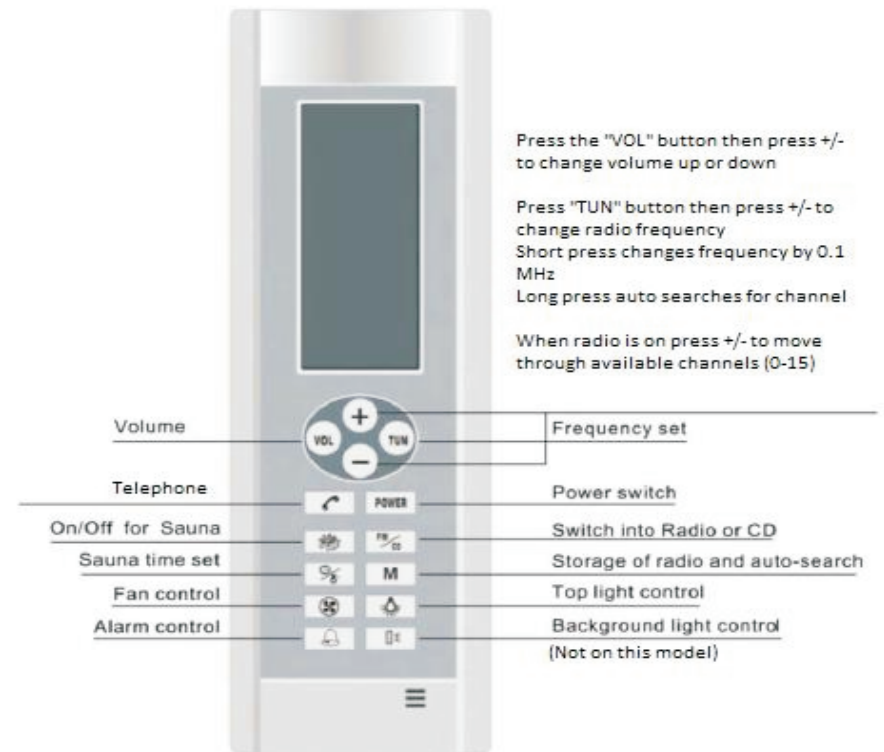
It is recommended to test all functions prior to moving the cabin into its final location



Layout diagram and symbols



Control Panel Function



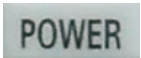
Please note

Telephone function requires connection to your landline cable connector

CD function requires connection to a CD player with the CD player outside the enclosure

Control Panel Function

Power Button



Press the Power button to activate the control panel, the top light will come on

Top Light



The light will be on when the control panel is powered up, to turn on and off press this button, symbol will appear

Background Light



Not available on this model

Fan



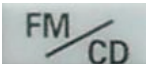
Press the fan button to activate the extraction fan, flashing symbol will appear

Alarm



Press the alarm button to activate the audible alarm when the alarm is activated, the lights and fan come on and the alarm will sound

Radio



Press FM/CD button until radio station frequency is shown and radio is on
To change station press "TUN" button, then press + or - to adjust

Control Panel Function

Radio Station Storage



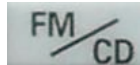
When the radio is on and you have found the station required press the M button to store this station
When the radio is on press and hold the M button, the radio will search for available stations, press M to store

Volume

Press the volume button, then press the + or - button to change the volume of the active function



CD Function



Press the FM/CD button until the CD symbol is displayed on the screen.
You will need to connect an external CD player to the CD line from the cabin and place the player outside the cabin

Telephone



With cabin telephone cable attached to your house landline connection, when a call is received the radio will turn off, the symbol will flash on the screen .
To answer the call press the telephone button.
To end the call press the button again.

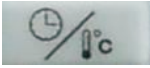
Control Panel Function

Steam Function



Press the steam button to activate the steam, the symbol will appear on the display

Steam Adjustment



Press the steam time/temp adjustment button to change the time period or steam temp

The pre-set time is 60 minutes

The pre-set temp is 45c

Press this button then press + or - to adjust

The time settings available are 0 -120 minutes

The temp settings available are 25 - 60c

When the set steam time has been reached the steam will turn off.

When the set steam temperature has been reached the steam will turn off

An automated Ozone cleansing function will activate once the steam function has been turned off and run for approximately 3 minutes.

Safety, Alarms and Error Messages

The control panel is installed with 4 malfunction messages

E0

Issue Steam generator does not shut down when set temperature is reached

Issue Steam generator shuts down before set temperature is reached

Solution - Failed sensor - Replace electric box and cables

E1 /E2

Issue No steam created, as no water in the steam tank
E1 appears if no water enters tank for 2 minutes
Tank automatically tries to re-fill, if successful E1 disappears

Issue E2 appears if attempt fails and the steam generator stops

Checks Check water supply is reaching the steam tank

Check cable connections

Check if inlet valve filter on the steam tank is blocked

Solution Re-instate water supply to cabin.

Is water supply turned on, is there a blockage.

Re-connect cables if dis-connected or replace section required, if unable to re-connect or a cable is damaged

Clear debris in inlet valve

Replace steam generator if inlet valve failed

E3

Issue E3 Message as soon as steam function is turned on.

Solution - Turn OFF steam function and turn back on

If message is still present carry out E1 and E2 checks

Issue E3 Message during steam function use and no steam

Solution - Blown fuse in plug / Replace fuse

Loose connection / Check all wires and connectors

Turn off steam function, then:

Press re-set button on side of steam tank, then turn steam function back on, if still present replace steam tank.

Aftercare

In the event that your product has a problem some maintenance may be required.

Dripping head, hand shower or body jets when mixer OFF

Some dripping may occur after the mixer is turned off, this is expected due to drainage.

If the dripping does not stop, this may be due to debris on the valve sealing surface, within the cartridge or a fault.

To remove the valve:

TURN OFF WATER SUPPLY

Turn the diverter to an open position to allow water to drain.

On the handle unscrew the handle peg (Fig 1).

Using a hex key, loosen the grub screw inside the handle (Fig 2).

Pull off the handle.

Using a spanner remove the brass retainer (Fig 3)

Pull the cartridge from the mixer housing (Fig 4)

Check the internal mixer base and clear any debris.

Flush the cartridge under running water while turning spindle.

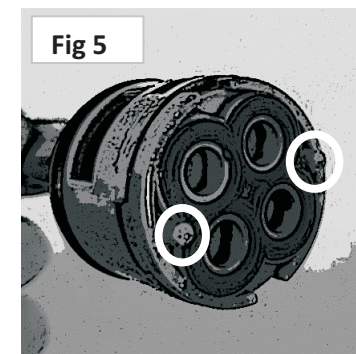
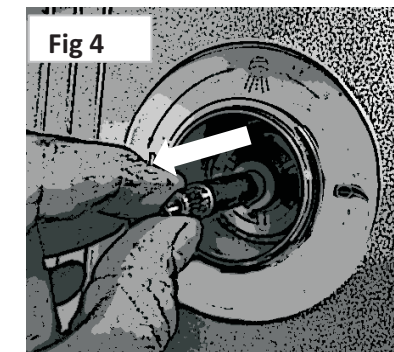
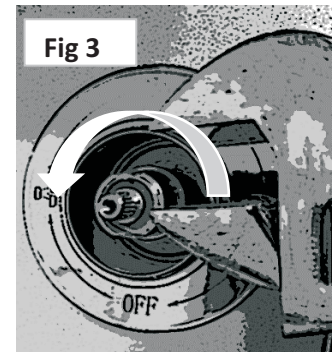
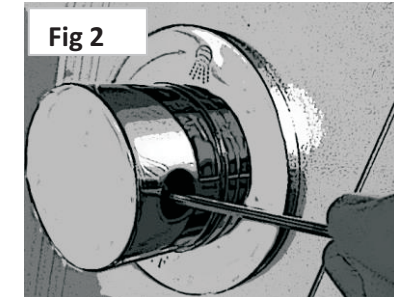
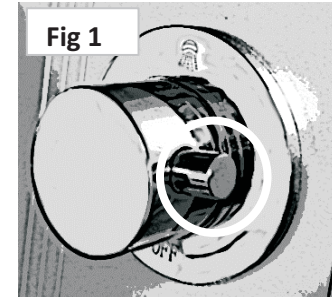
Once maintenance is carried out replace the cartridge.

Ensure to align the two pegs on the base of the cartridge with the two smaller holes inside the mixer (Fig 5).

Re-fit all components.

Turn on water supply and re-check.

Aftercare



Aftercare

In the event that your product has a problem some maintenance may be required.

Temperature control issue

If the temperature control does not regulate the temperature once the product is installed this could be due to incorrect pressures.

Or

This could be due to debris in the thermostat, as the system was not flushed prior to connection of the water supply.

Or

This could be due to limescale build up on the thermostat

If the pressures are not balanced, this must be fixed by either increasing the lower pressure or reducing the higher pressure (but the minimum pressure requirement must still be achieved)

Alternatively check the thermostat and clean away any debris or limescale.

TURN OFF WATER SUPPLY

Turn the diverter handle to an open position to allow water to drain.

Turn temp handle to the 38c stop position and remove the handle cap (Fig 1).

Using a hex key, loosen the grub screw inside the handle (Fig 2).

Pull the handle and take note of the stop ring position for replacing (Fig 3).

Using grips, turn the brass thermostat anti-clockwise to remove (Fig 4).

Once removed clear any debris inside the mixer.

Run the thermostat under warm water and scrub using a soft bristle brush to remove debris/limescale.

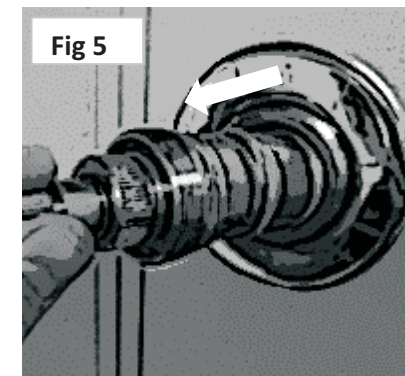
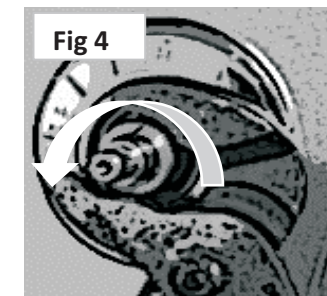
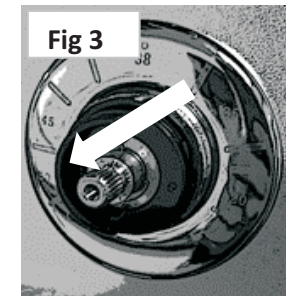
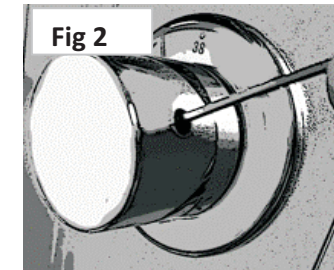
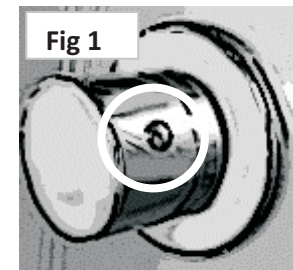
Re-fit thermostat and re-fit black stop ring in noted position.

Replace handle with button in the 38c position.

Tighten screw and re-fit cap.

Turn on water supply and test.

Aftercare

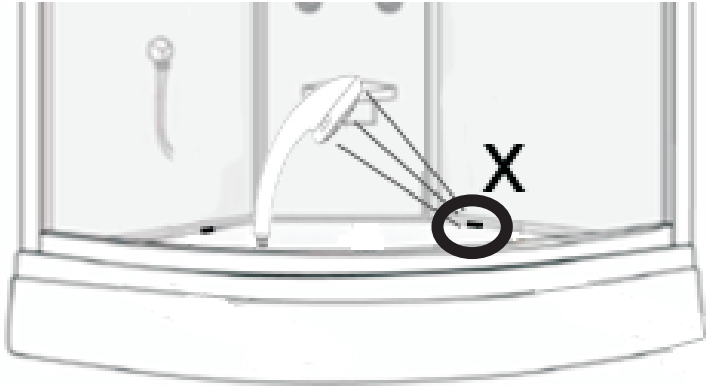


If you should have any issues with your product, please contact us via our Help Centre on line at WWW.betterbathrooms.com

Aftercare

When using or cleaning the product, **do not** spray directly for any period of time at the drainage slots in the tray.

Doing this could cause excess water to fill the slot and spill over the tray.



Guarantee

Certain parts included within this product are covered by a 12 month guarantee:

Handset	Thermostat	Bulbs
Shower Hose	Flow control/diverter	Door runners
Seals		

Failure to seal correctly will invalidate your guarantee

Reported damage **after** installation will not be covered by your guarantee

Maintenance

For some aspects of maintenance on this product access will be required to the rear and the enclosure will need to be moved.

No abrasive cleaning agents or materials can be used on the product.

To maintain, use a soft damp cloth only and polish using a soft cloth.

Incorrect maintenance can invalidate your guarantee.

WEEE - Waste Electrical and Electronic Equipment Directive

The Waste Electric and Electronic Equipment (WEEE) Regulations 2013 became law in the UK on the 1st of January 2014 and replaced the 2006 Regulations.

The new Regulations transpose the main provisions of Directive 2012/19/EU on WEEE which recasts the previous Directive 2002/96/EC.

Further information on the WEEE Regulations 2013 can be found in the Government Guidance Notes introduced by the Department for Innovation and Skills.

The Directive has been implemented to counteract the environmental impact Electrical and Electronic products have through waste disposal.

A large amount of electrical and electronic items are currently disposed of with normal household waste, which if disposed of correctly, could be recycled and therefore reduce landfill, contamination and risk to health.

Better Bathrooms undertakes its responsibilities under the Directive in relation to recycling and reduction of landfill.

How do I dispose of my old Electrical and Electronic products showing the symbol ?

Separate all items with the symbol from normal household waste.

At Better Bathrooms we can accept your old WEEE when you purchase a like for like replacement from us.

The old WEEE can be accepted back within 28 days after your purchase.

When returning your old WEEE to us, please include a copy of your new order for reference.

Alternatively you can take your old WEEE to authorised disposal sites where the waste will be separated and disposed of in an environmentally friendly manner.

Contact your local disposal site to confirm.



Product Specification

Working Pressure	1.5 to 4 bar	Pressure MUST be balanced
Dimensions	2250 H x 900 D x 900 W	
Door Opening	480mm	
Steam Generator	2.8Kw	Fuse size: 13 amp fuse spur

Installation

Must comply with Water Regulations (Isolation valves must be fitted)

Must comply with Electrical Installation Regulations

Must be carried out by a qualified Installer/Electrician

Ensure all parts are inspected for damage prior to installation

If any cable is damaged, the product should no longer be used and the part replaced by a qualified person or the manufacturer to avoid a hazard

Earthed appliances must be permanently connected to fixed wiring

The appliance should be supplied through a residual current device (RCD) having a rated residual current not exceeding 30mA

Always carry out a dry fit before full installation commences

NOTE: You will require 2 x 1/2" connection flexi-tails, not supplied plus a 40 mm waste pipe straight connector, not supplied

Access will be required to the rear during assembly/installation

Warning

This appliance should not be used by persons with a lack of experience, knowledge or without understanding in the use of the appliance in a safe way and understands the hazards of improper use.

Children shall not play with the appliance.

Young children or people of restricted capability should only use the appliance under supervision or when adequate instructions has been given so that they are able to use the appliance in a safe way and understand the hazards of improper use. This product contains hot surfaces

