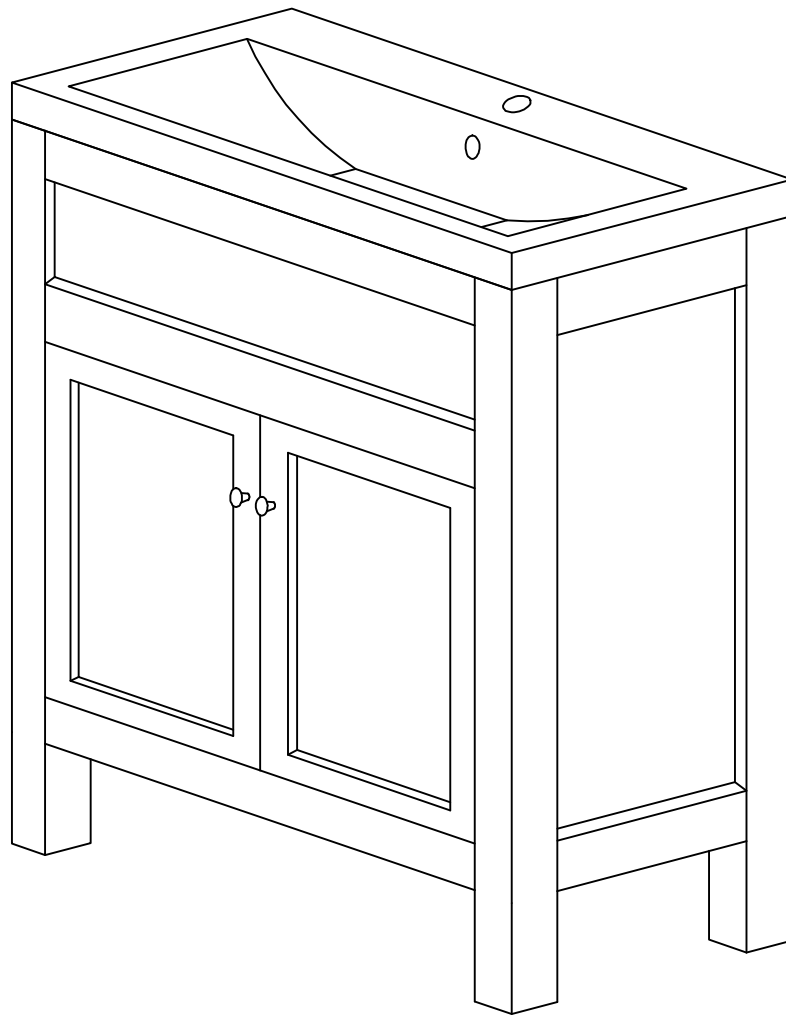


# *Installation Manual*



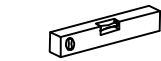
Apply for following models:

**BeBa\_25556**

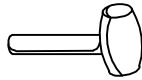
Please keep these instructions for future reference.



# Tools Required



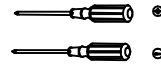
Spirit Level



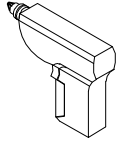
hammer



Pencil



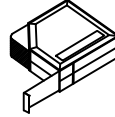
screw driver



electric driver



drill bit

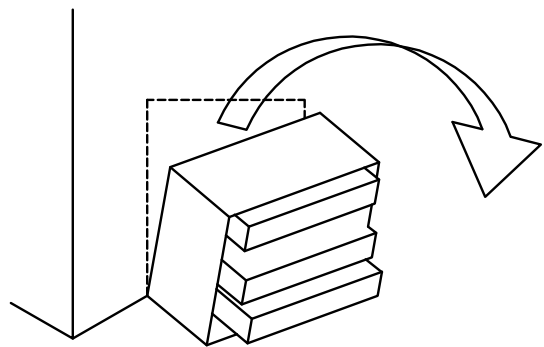
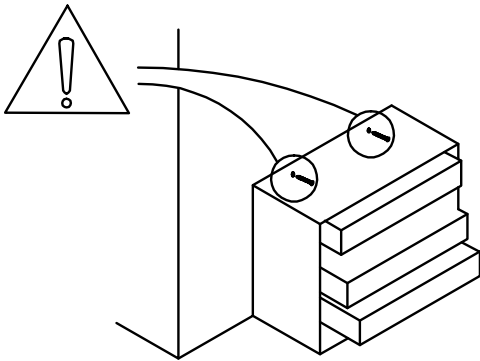


tape

**Important information Read carefully. Keep this information for further reference.**

**Serious or fatal crushing injuries can occur from furniture tip-over. To prevent this furniture from tipping over it must be permanently fixed to the wall.**

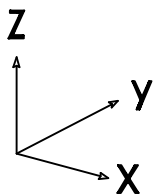
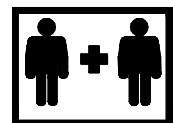
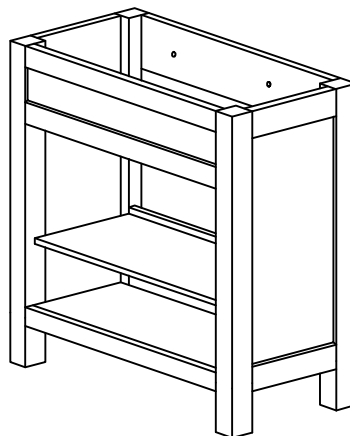
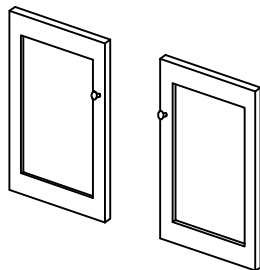
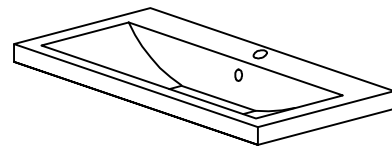
Fixing devices for the wall are not included since different wall materials require different types of fixing devices. Use fixing devices suitable for the walls in your home. For advice on suitable fixing systems, contact your local dealer.



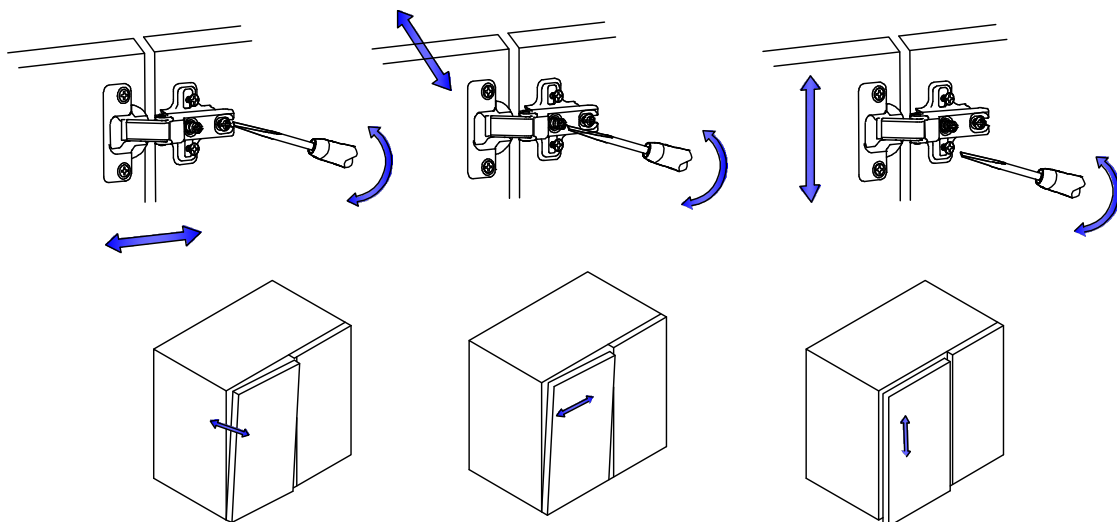
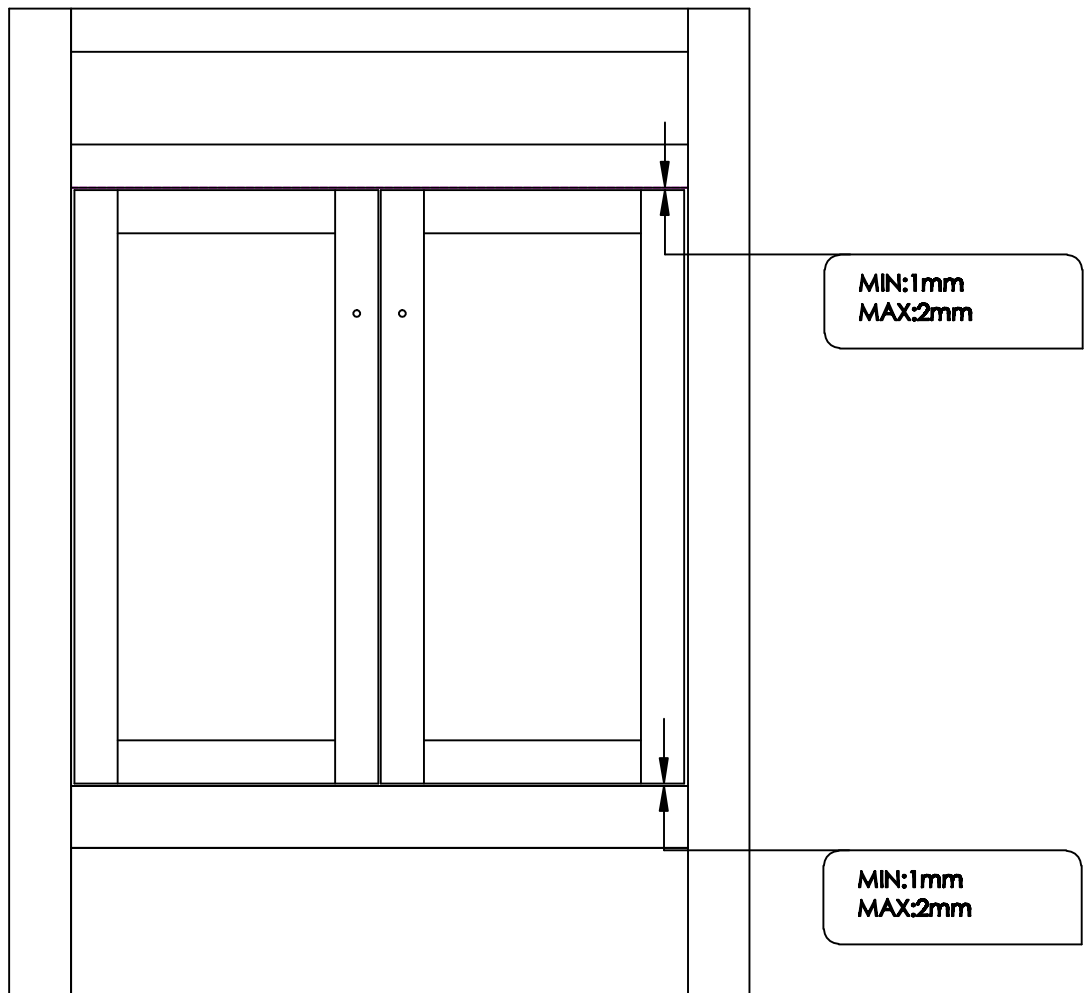
x=600mm

y=385mm

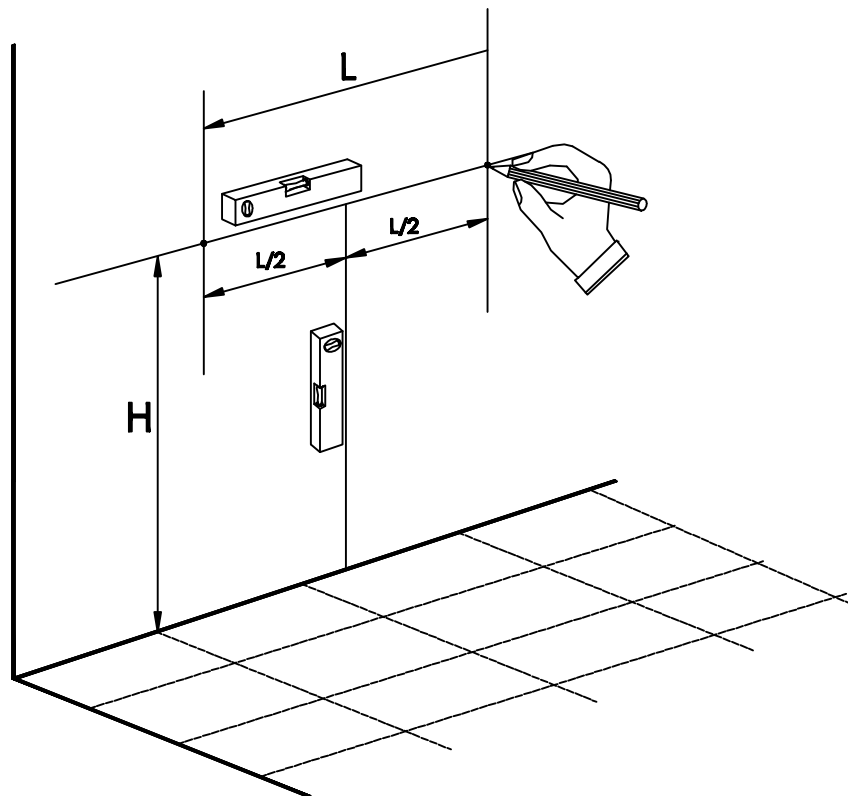
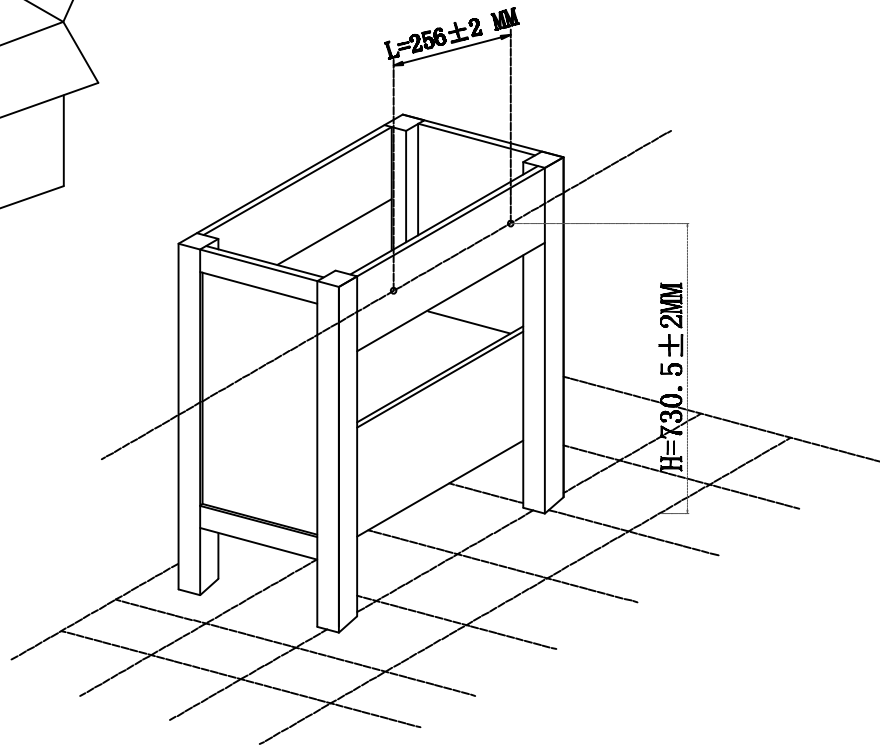
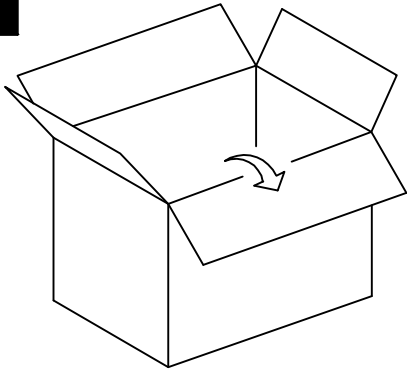
z=800mm



# Gap Adjustment

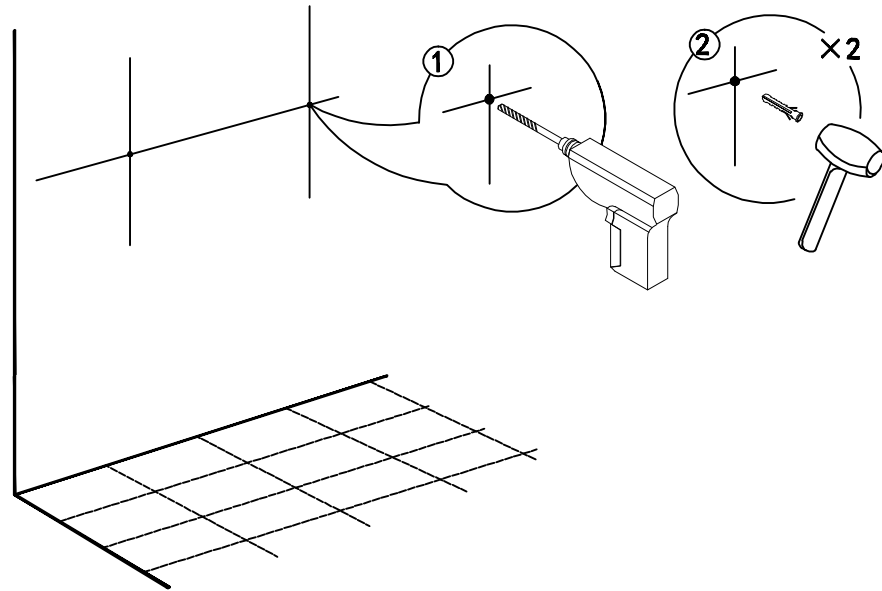


01

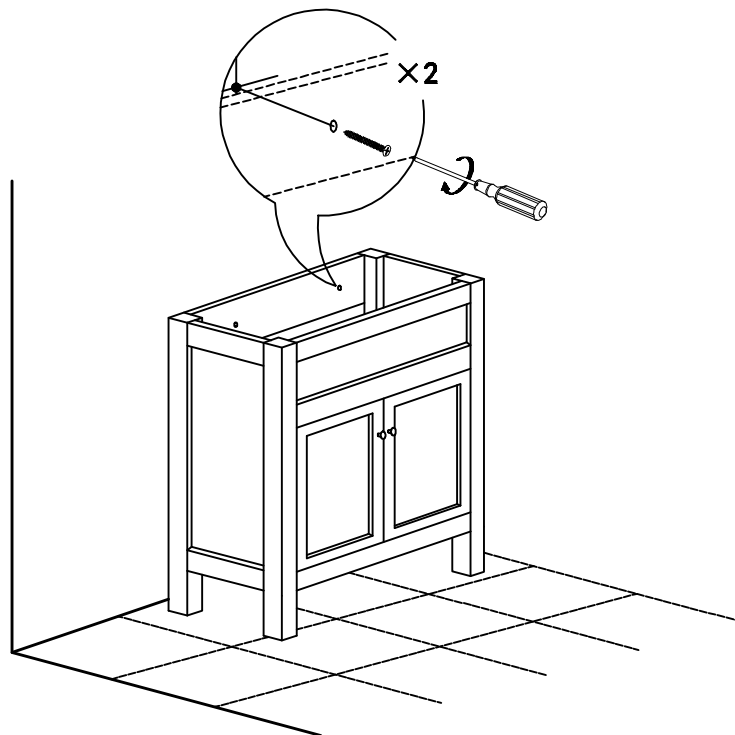


02

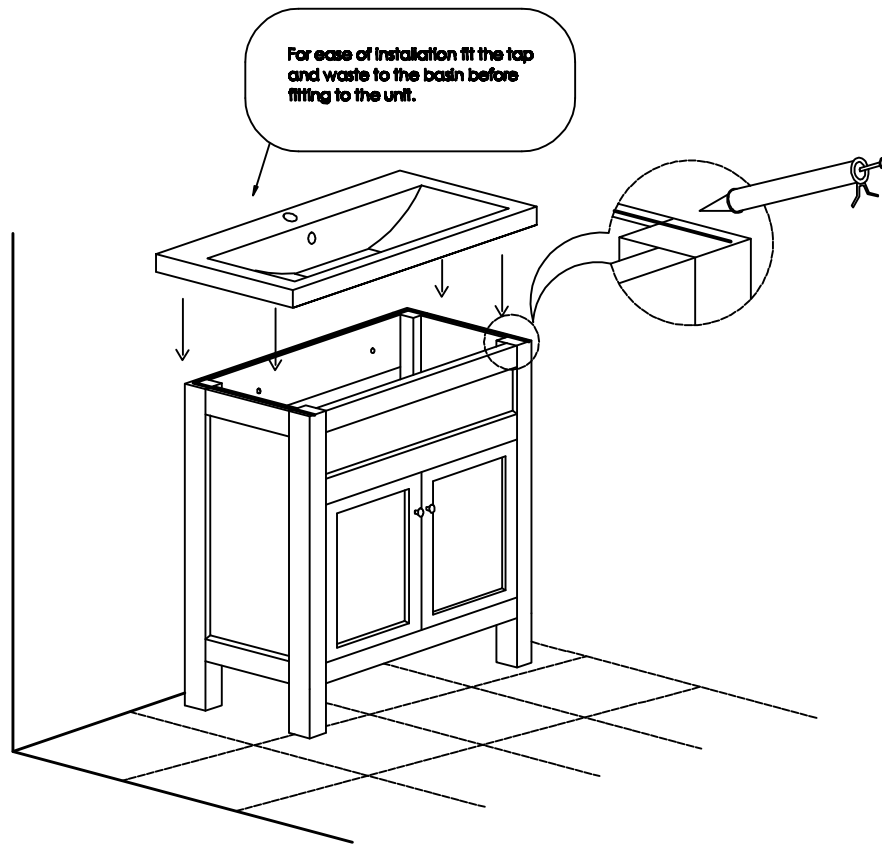
Please note - wall fixings are not supplied  
These can be purchased from a local DIY store



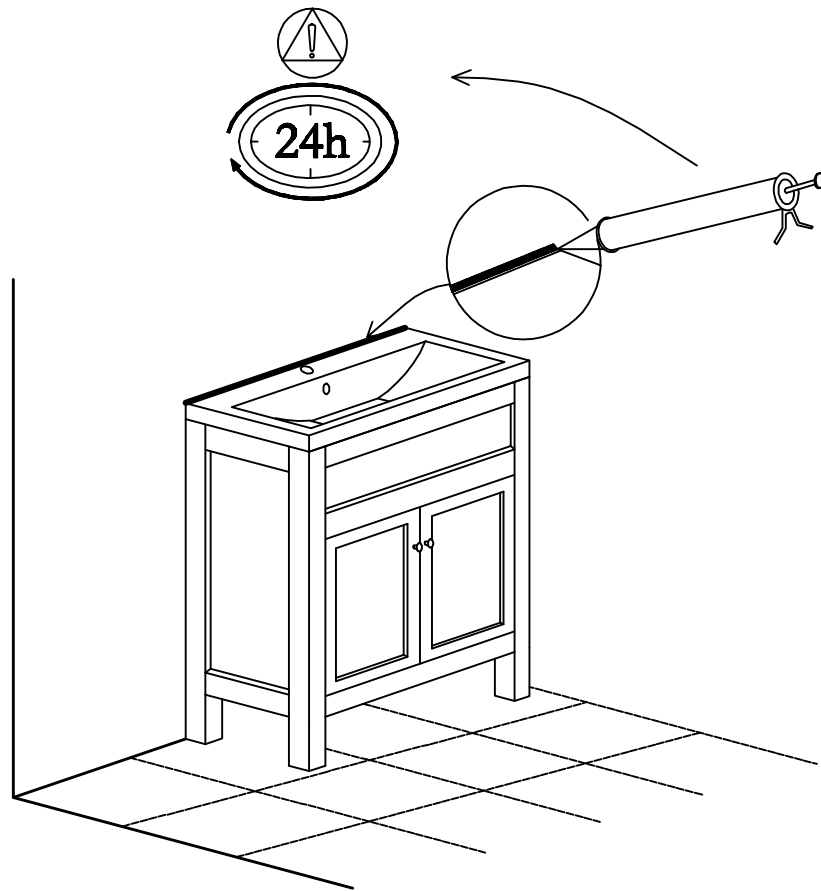
03

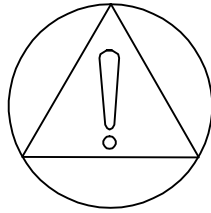


04



05





- Clean with a soft cloth & warm soapy water only**
- Do not use abrasive cleaning agents**
- Dry unit with a cloth after use**

