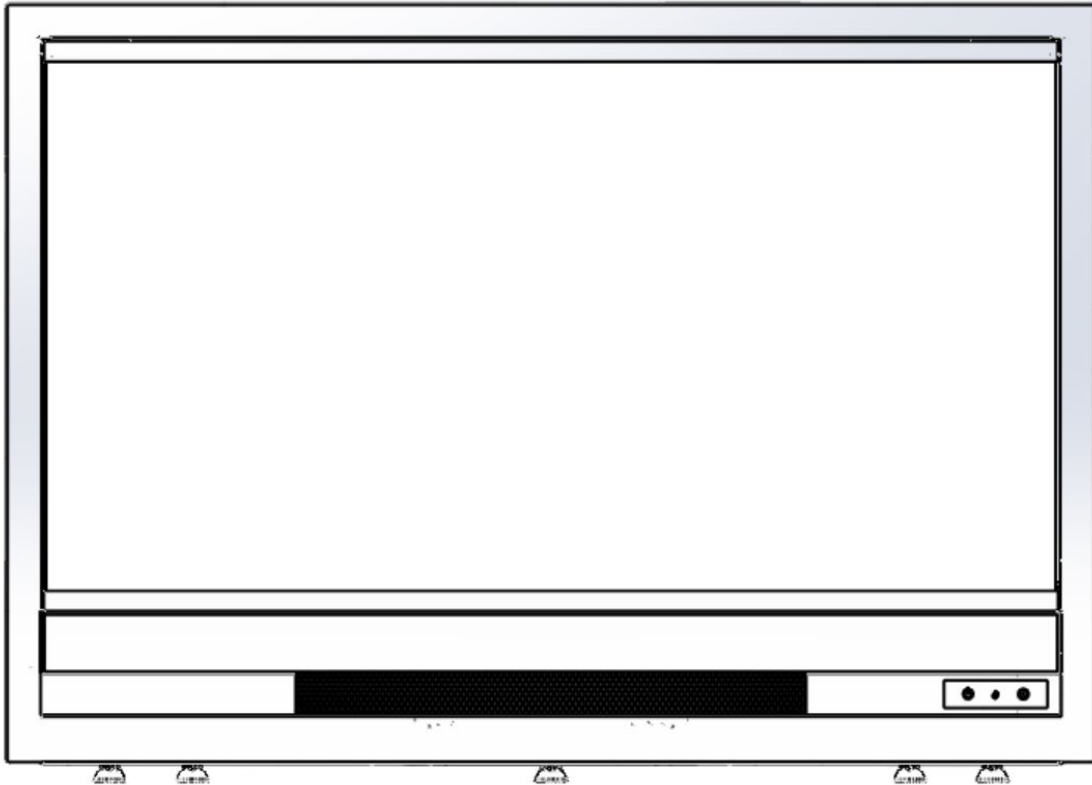


USER MANUAL



AmberGlo

Electric Fire with LED Effect Lights

AGL075

Thank you for choosing this AmberGlo electric flame effect heater.

Please read this guide, which aims to improve your understanding and appreciation of your new heater, and please retain it for future reference.

CONTENTS

SAFETY INFORMATION	3
MANUAL HANDLING	4
ELECTRICAL SAFETY	5
PARTS SUPPLIED	6
DIMENSIONS	6
BEFORE USE	7
INSTALLATION INSTRUCTIONS	8
OPERATION	10
CLEANING AND MAINTENANCE	11
TECHNICAL SPECIFICATION	12
TROUBLESHOOTING	12
SUPPORT	13
PRODUCT FICHE	14

SAFETY INFORMATION

When using electrical appliances, basic safety precautions should always be followed, including the following:

- **IMPORTANT:** Read all instructions and warnings carefully before starting installation. Failure to follow these instructions may result in a possible electric shock or fire hazard and will void the warranty.
- Before connecting the appliance, be sure that the main voltage available matches what is specified on the rating label and that the outlet is suitably grounded.
- The appliance must be installed in a place in line with national regulations concerning air discharge.
- Do not cut, notch or damage any joist, beam or rafter when installing the appliance.
- Children of less than 3 years should be kept away unless continuously supervised.
- Children aged 3 and under shall only switch on/off the appliance provided that it has been placed or installed in its intended normal operating position, they have been given supervision or instruction concerning the safe use of the appliance, and they understand the hazards involved. Children aged 3 and under shall not plug in, regulate, clean, or perform user maintenance on the appliance.
- **CAUTION**—Some parts of this product can become very hot and cause burns. Particular attention must be given where children and vulnerable people are present.
- **WARNING:** In order to avoid overheating, do not cover the heater.
- The heater must not be located immediately below a socket outlet.
- **CAUTION:** To avoid a hazard caused by the inadvertent resetting of the thermal cut-out, this appliance must not be supplied through an external switching device, such as a timer, or connected to a circuit that is regularly switched on and off by the user or utility.
- Do not attempt to repair, disassemble or modify the appliance. This unit contains no user-serviceable parts.
- Ensure the plug is accessible after installation to disconnect the unit from all power.
- Always unplug or disconnect the appliance from the mains power supply when not in use or when moving or cleaning it. Do not pull the cord to unplug the heater.
- Keep the heater clean. Do not allow any object to enter the ventilation or exhaust opening, as this may cause electric shock, fire, or damage to the heater.
- Do not use the appliance for other than its intended use. It is designed for domestic indoor use only.
- There may be a trace of odour during the first few minutes of initial use or after a storage period. This is normal and will quickly disappear.
- If the glass is damaged, do not use the heater in order to avoid a hazard.
- Avoid the use of an extension cord, as the cord may overheat and cause a risk of fire.
- This fireplace is hot when in use. To avoid burns, do not let bare skin touch exposed hot surfaces.

- Keep combustible materials, such as furniture, pillows, bedding, papers, clothes, and curtains, at least three feet from the appliance's exposed areas.
- This appliance is designed for indoor use only and is not intended for use in bathrooms, laundry areas and similar indoor locations. Never locate this appliance where it may become water-exposed.
- Do not run the cord under carpeting; cover it with throw rugs, runners, or similar, and ensure it is kept away from traffic areas and in a position that would not present a trip hazard when positioning it during installation.
- To disconnect this appliance, turn the controls off, then remove the plug from the outlet.
- This appliance has hot and arching or sparking parts inside. Do not use it in areas where gasoline, paint, or any flammable liquids are used or stored.
- This appliance should not be used to dry clothing, nor should Christmas stockings or decorations be hung on or near it.
- This electric fire is an instant heat source to warm a room and is great for visual room ambience. It doesn't necessarily need to be used as a constant or permanent home heating source.
- If a television or other electrical device is above this fireplace, the installers must ensure that the ambient temperature around the tv does not exceed manufacturers' recommendations.
- Clean the fire regularly to prevent the build-up of hairs, dust, or lint from entering the structure and causing a blockage.
- Do not use aerosols or steam cleaners on or around the fire.
- The fire should be tested before installation.
- We always recommend employing an experienced, qualified installer when fitting such products. Each installation will vary; specialist expertise is often required to conduct the necessary building work. Buy It Direct, therefore, bears no responsibility or liability for any poor workmanship or incorrectly installed fires and/or fireplaces.



THIS SYMBOL MEANS DO NOT COVER IN ORDER TO AVOID OVERHEATING. DO NOT COVER OR OBSTRUCT ANY OF THE HEAT OUTLET GRILLES OR AIR INTAKE OPENINGS OF THE HEATER.

MANUAL HANDLING

- One person should be sufficient to lift the heater. If, for any reason, it is considered too heavy, then obtain assistance.
- When lifting, always keep your back straight. Bend your legs and not your back.
- Avoid twisting at the waist. It is better to reposition your feet.
- Avoid upper-body/top-heavy bending. Always bend from the knees rather than the waist.
- Do not lean forward or sideways while handling the heater.
- Always grip with the palm. Do not use the tips of your fingers for support.

- Always keep the heater as close to the body as possible. This will minimise the cantilever action.
- If required, use gloves to provide additional grip.
- Always use assistance if required.

ELECTRICAL SAFETY

The heater must not be located under an electrical socket; the socket must always be accessible in order to disconnect the heater from the electrical supply for maintenance and cleaning.

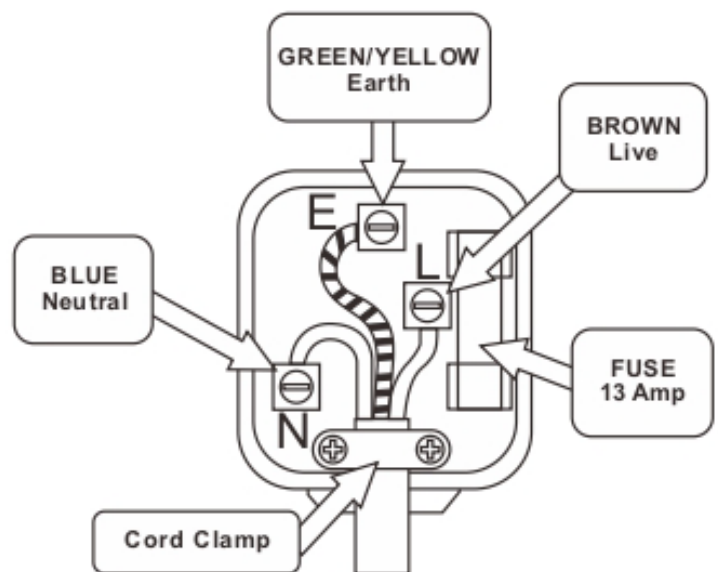
IMPORTANT: This heater must be earthed. The mains supply must be safely routed to an electrical socket from the heater.

If the supply cord is damaged, it must be replaced by the manufacturer, service agent, or a similarly qualified person to avoid a hazard.

This appliance is supplied with a BS1363 3-pin plug fitted with a 10-amp fuse. If the fuse requires replacement, it must be replaced with a fuse rated at 10 Amps and approved to BS1362.

In the event the mains plug has to be removed or replaced for any reason, please note: The wires in the mains lead on this appliance are coloured in accordance with the following code:

Green and Yellow - Earth
 Blue - Neutral
 Brown - Live

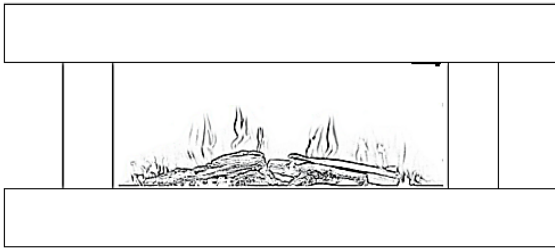


If the wires do not match the colour coding above, please follow the below.

- The green and yellow wire must be connected to the terminal, marked with the letter E or the earth symbol \perp . This colouring will not change.
- The blue wire may be black and must be connected to the terminal marked N.
- The brown wire may be red and must be connected to the terminal marked L.

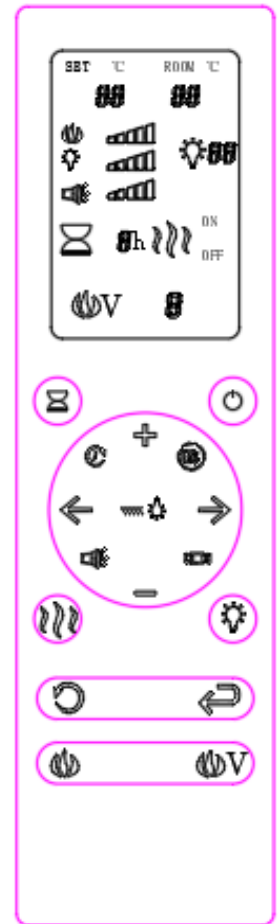
IMPORTANT: Any cut-off plug should be disposed of safely to prevent a hazard. Electric shock is dangerous if a cut-off plug is inserted into a socket outlet.

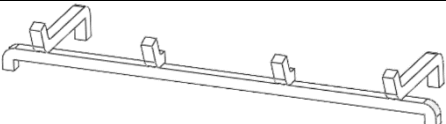



PARTS SUPPLIED



Fireplace

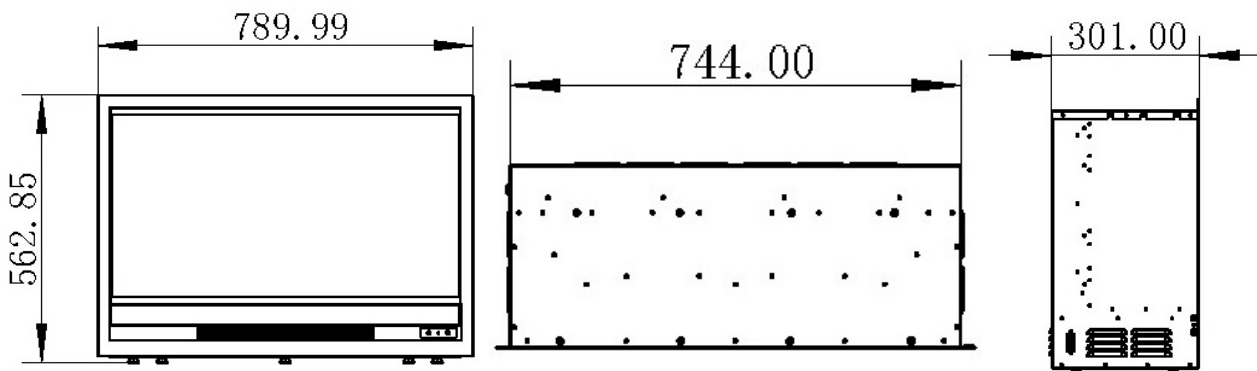
Remote



REF NO	DESCRIPTION	QTY
A		1 PC
B		10 PCS
C		4.3kg
D		1 PC

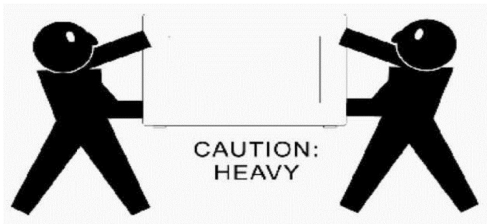
PLEASE NOTE: Some parts are packaged within the cavity of the surround on the rear of the fire.

DIMENSIONS



BEFORE USE!

Before using the appliance for the first time, ensure that it has been fully unpacked and that all packaging has been disposed of properly to ensure it does not present a risk to children or animals.



Due to the size and weight of the fire, we advise that two people carry out the installation to prevent injury or damage.

MEDIA WALL REQUIREMENTS

Several factors must be considered when planning the construction of your media wall to ensure its success. We advise you to thoroughly read the installation instructions and understand the process before designing or constructing your media wall.

1) STRENGTH AND STABILITY OF THE STRUCTURE

The structure must be designed to be structurally sound and able to support the weight of the fire and any other items/shelving built into it. Consideration should be given to how the framework is secured to the walls. If you are unsure about the suitability of the planned structure, seek professional advice.

2) WHICH SIDES ARE VISIBLE FOLLOWING INSTALLATION

Your preference regarding the sides may impact the internal structure of the media wall, so this must be decided early in the project.

3) SUPPORT OF THE FIREPLACE

The fireplace requires wooden battens or other support methods to be mounted securely within the media wall.

BASE OF THE FIRE – The fire is designed to stand on a platform, or it can be supported using several wooden battens built into the structure of the media wall.

TOP OF THE FIRE- The fireplace uses two metal brackets secured to the top of the fire through mounting points on the top. The brackets are designed to fix the fire to wooden battens above the appliance. The brackets can be mounted at the front or rear of the fire, forward or backwards facing, and secured into the batten from the front or behind. Although this offers a lot of flexibility for installation, care must still be taken to ensure that the battens' position aligns with the brackets' location.

4) INSTALLATION STYLE

The installation style will also affect installation, as this will affect both the suitable position for the battens and the location of battens used for fixing the plasterboard.

5) ROUTE OF THE POWER CABLE

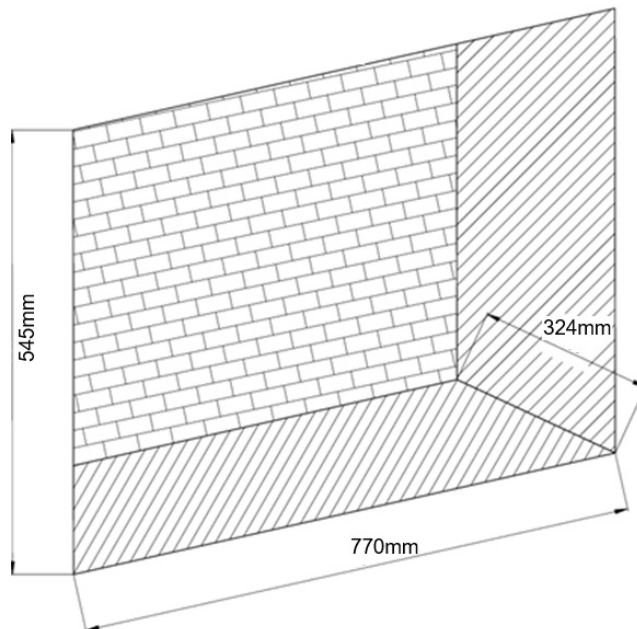
Consideration should be paid to the power cable route from the rear of the fire to the socket. It is strongly advised that the socket or fused spur to which the fireplace is attached is accessible following installation to allow the appliance to be disconnected if necessary.

NOTE: It is advisable to install the fire after the structure of the media wall has been erected but before the plasterboard has been applied, as access is required to secure the fire in place.

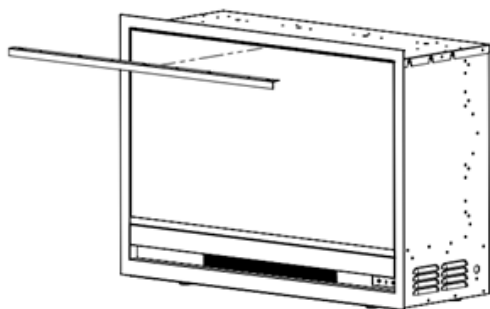
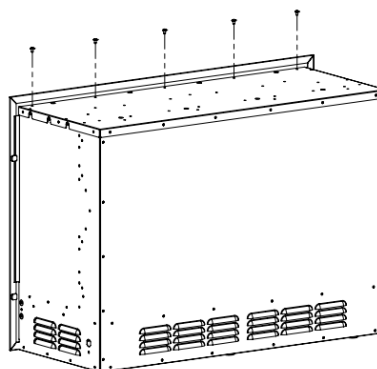
IMPORTANT: It is recommended that you test the fire to ensure you are happy with it before installing it into a wall.

INSTALLATION

For optimum accuracy, the wall opening is best measured using the unit itself; alternatively, you can follow the dimensions.

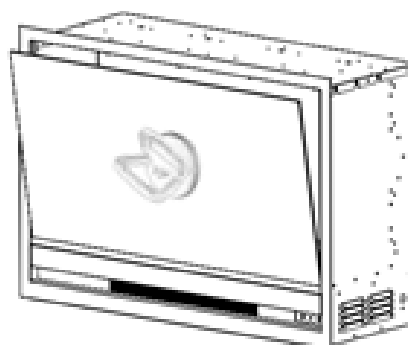


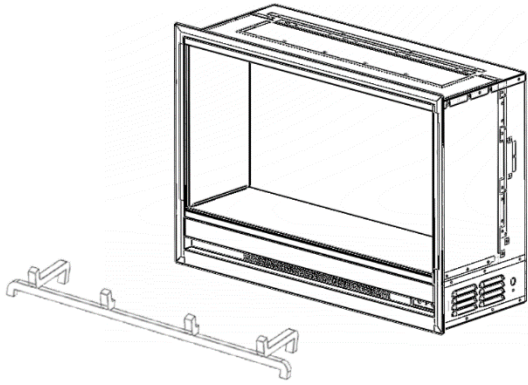
1. Remove the screws from the top of the fire and keep these safe for later.



2. Remove the top pressure plate.

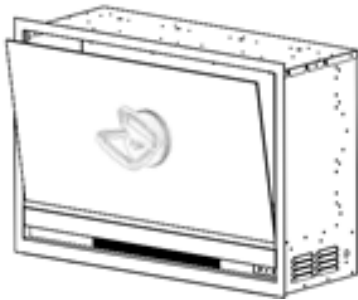
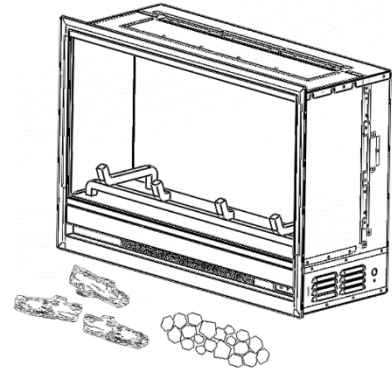
3. Using the suction provided, place this onto the glass, then tilt the glass towards you carefully to remove it. Then, place this on a soft, clean surface.





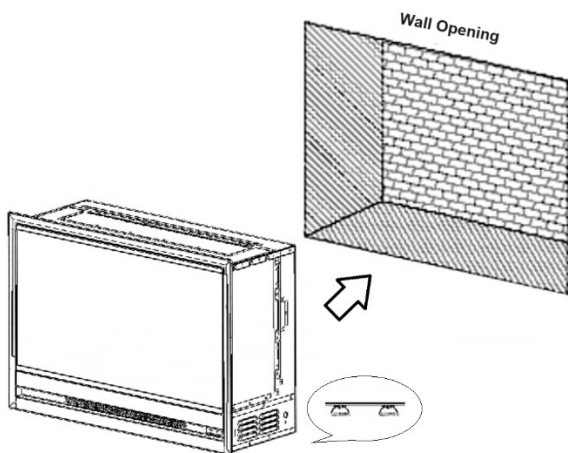
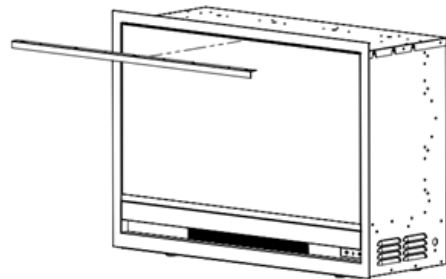
4. Insert the decorative base into the bottom of the fire.

5. Decorate the base of the fire to your own preference with the crystals and logs provided.



6. Reinsert the glass the same way you removed it.

7. Re-attach the top pressure plate using the screws you removed in step 1.

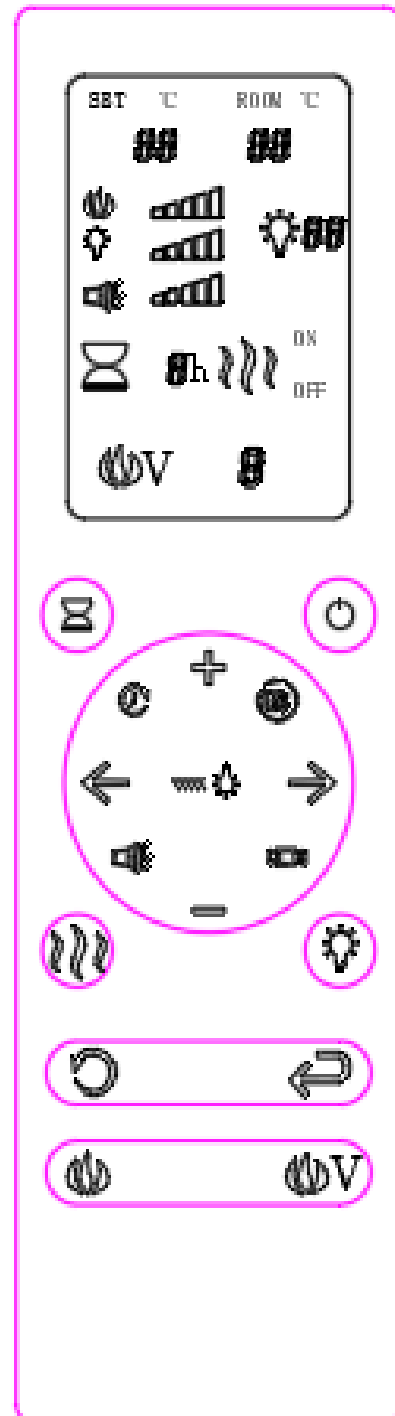


8. Insert the fire into the wall and level the feet if needed.







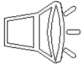

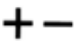
OPERATION



	ON/ OFF: The control panel and remote will function similarly. Press once to turn the unit on and once to turn it off. Once turned off, the fan will continue for 60 seconds without heat.
	HEATING: The control panel and remote will function the same way. Press once to turn on the heat function and once to turn off.
	QUICK START: This function is solely on the control panel. Press once to turn the unit on at its highest brightness (level 5) and with a target temperature of 40°C.
REMOTE ONLY	
	DAY/TIME: The day and time will need to be set on first use each time the unit is disconnected from the power. Press the button, and the sun icon will flash. Use the increase and decrease buttons to cycle through the days of the week. Press the day/time button again to adjust the hour using the arrow buttons. Press the button again to adjust the minutes using the arrows. Press the day/time button again to confirm.
	TIMER: Press the timer, and the screen will show the current time from 0H to 9H. Repeatedly press the timer to increase the hours till it shuts down. Other setting changes will not affect this timer. Hold the timer button for 3 seconds to activate the weekly timer, and a clock will light up. Hold it again to deactivate it.
	WEEKLY TIMER: The timer can have up to 10 schedules per week. After activating the function as above, press the weekly timer button, and the time will flash. 'ON' will show on the display. Then, use the arrow buttons to select the schedule you would like to set (1-10). Press the button again to choose the day of the week using the increase and decrease buttons and the left arrow to select. Press the weekly timer button, and the hour will flash. Use the arrows to set the hour and repeat to set the minutes. Press the weekly timer button once more to set the switch-off time; OFF will show on the display. Then repeat the steps above to set your off time. Finally, use the arrows to set the desired temperature, and the fire will also turn off when this is reached.



NOTE: The default brightness is level 3, and the default temperature is set to 15°C.

	TOP LIGHT: Press once to turn it on and once to turn it off.
	BASE LIGHT: Press to turn on the base light. Select the brightness using the increase and decrease buttons to cycle through the five options. Use the arrows to select your desired colour out of the 14 options. Hold the button for 3 seconds to turn the light off.
	RESET: Hold for 3 seconds to restart the LCD screen and factory reset the unit.
	CLEAR: Press either the timer or weekly timer; this button will clear all selections.
	FLAME EFFECT: Press to turn on the flame effect, then use the increase and decrease buttons to cycle through the five brightness settings. Hold the button to turn the function off.
	FLAME STYLE: Repeatedly press to cycle through the nine flame styles.
	SOUND: Press to turn on the sound effects, then use the increase and decrease buttons to adjust the sound level to one of the five options. Hold the button for 3 seconds to turn off.
	WINDOW DETECTION: Press once to turn on the window detection and once to turn it off. This function will detect a sudden drop in room temperature caused by an open window or door and turn off the heating function to save energy.
	INCREASE AND DECREASE: These buttons can increase and decrease the temperature in heating mode. They can also be used in other function settings, as explained above.

CLEANING AND MAINTENANCE

Before cleaning the appliance, the power supply should be disconnected, and the unit should be allowed to cool.

Dust can be removed by lightly wiping the glass surface with a clean, lint-free cloth or paper towel. Use a damp cloth with a good-quality household glass cleaner to remove fingerprints or other marks. The front glass panel should be thoroughly dried before reusing the heater.

CAUTION:

- Do not use an abrasive cleaner on the glass panel.
- Do not spray liquids directly onto any surface of the unit.
- Do not clean the glass on the inside of the unit, as this may cause damage to the surface.

REPLACING THE BATTERIES

The batteries are not included with your remote. You will need 2 AAA batteries. The method of installation of the battery is on the remote itself.

If the battery compartment on your remote is not secure, either do not use it or keep it away from children and pets. The battery is a choking hazard and can cause health problems if digested.

SERVICING

It is hazardous for anyone other than a qualified service technician to carry out any service or repair operation that involves removing components.

TECHNICAL SPECIFICATION

Description of Product	Electric Wall Hanging Fire
Rated Voltage	220-240V ~
Rated Frequency	50/60 Hz
Rated Power	Max 1800W
Model	AL075
Dimensions (mm)	789 (L) 301 (W) 56 (H)
Net Weight	36Kg

TROUBLESHOOTING

Most problems are simple to resolve - please refer to the following table before calling a service engineer:

Problem	Possible Cause	Check
The fire has stopped working.	The fire has overheated, the thermal safety device has been activated, or a circuit breaker has tripped.	Check that there is power to the socket where the fire is connected, check the fuse in the plug, check that the main power switch on the unit is turned on, and leave for 10 minutes in case of thermal cut-out.
The flame is not moving.	The LCD screen is defective.	Contact the retailer or manufacturer.

SUPPORT

Please, for your own convenience, make these simple checks before calling the service line. If the unit still fails to operate, call 0330 390 3062 or complete the online form.

1. Is the unit plugged into the mains?
2. Is the fuse OK?
3. Switch the unit off and wait ten minutes to see if the issue is resolved. Restart the unit.

Office hours: 9 AM - 5 PM, Monday to Friday

BuyItDirect
Unit 2A, Trident Business Park,
Neptune Way, Leeds Road,
Huddersfield, HD2 1UA.



WASTE ELECTRICAL RECYCLING

Disposal: Do not dispose of this product as unsorted municipal waste. Collection of such waste must be handled separately as special treatment is necessary.



Recycling facilities are now available for all customers at which you can deposit your old electrical products. Customers will be able to take any old electrical equipment to participating civic amenity sites run by their local councils. Please remember that this equipment will be further handled during the recycling process, so please be considerate when depositing your equipment. Please contact the local council for details of your local household waste recycling centres.

Model Identifier: AGL075					
4Item	Symbol	Value	Unit	Item	Unit
Heat Output				Type of heat input, for electric storage local space heaters only (select one)	
Nominal heat output	P_{nom}	1.85	kW	manual heat charge control, with integrated thermostat	No
Minimal heat output	P_{min}	N/A	kW	manual heat charge control with room and/or outdoor temperature feedback	No
Maximum continuous heat output	P_{max}	1.85	kW	electronic heat charge control with room and/or outdoor temperature feedback	No
Auxiliary electricity consumption				fan assisted heat output	
At nominal heat output	e_{lmax}	0.84	W	Type of heat output/room temperature control (select one)	
At minimum heat output	e_{lmin}	N/A	kW	single stage heat output and no room temperature control	No
In standby mode	e_{lSB}	0.93	W	two or more manual stages, no room temperature control	No
Network Standby	P_{nsm}	0	W	with mechanical thermostat room temperature control	No
				with electronic room temperature control	No
				with electronic room temperature control plus day timer	No
				with electronic room temperature control plus week timer	Yes
				Other control options (multiple selections possible)	
				room temperature control with presence detection	No
				room temperature control, with open window detection	Yes
				with distance control option	No
				with adaptive start control	No
				with working time limitation	Yes
				with black bulb sensor	No
Contact Details	BuyItDirect, Unit 2A, Trident Business Park, Neptune Way, Leeds Road, Huddersfield, HD2 1UA. The Black Church, St Mary's Place, Dublin 7.				

V20240911S