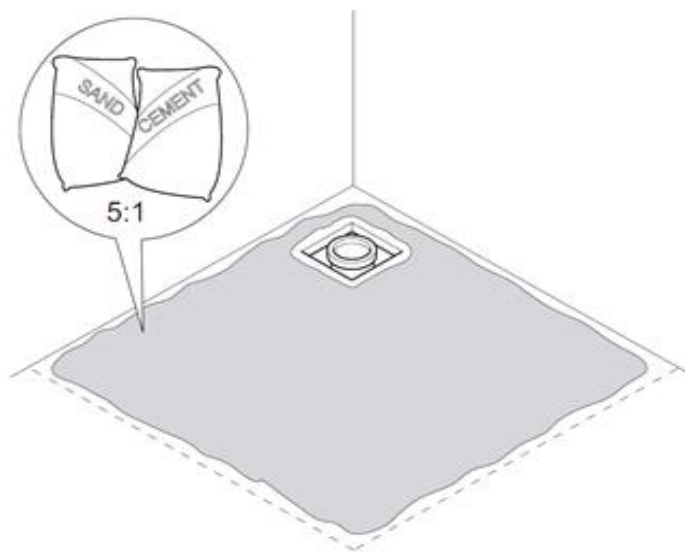


Shower Tray Installation

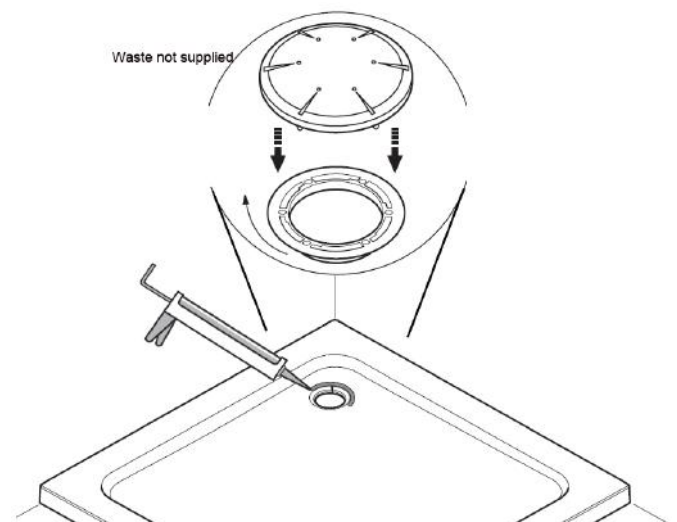
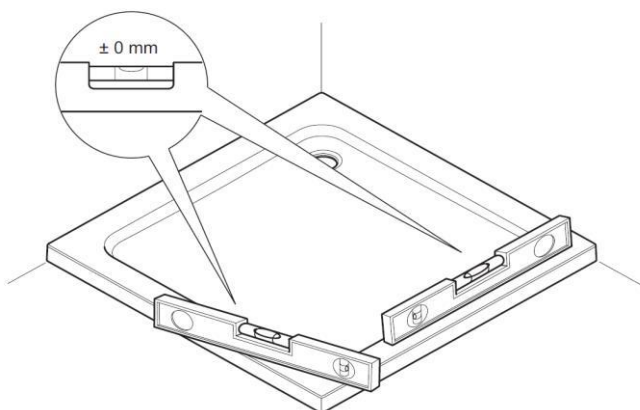


Please read through the instructions, prior to beginning the installation.
Ensure the tray is checked for damage prior to installation, no claims can be made once the tray has been installed.

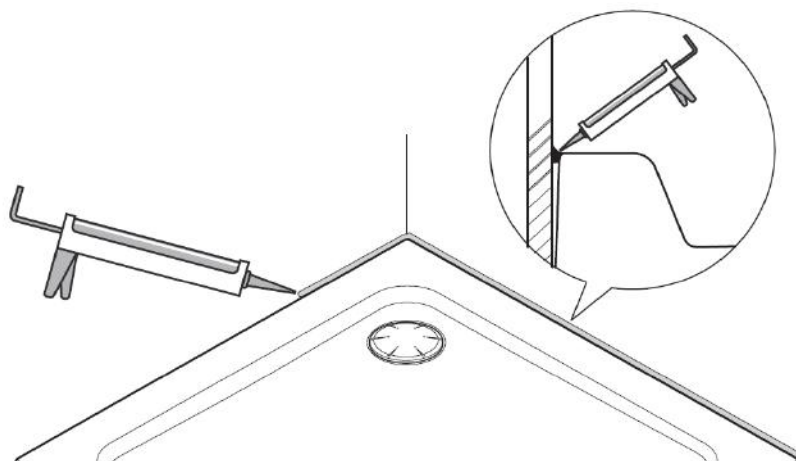
Do not use putty, mastic or solvent based sealers in direct contact with the product.
Use of any of the above or any abrasive cleaning agents will invalidate your guarantee.



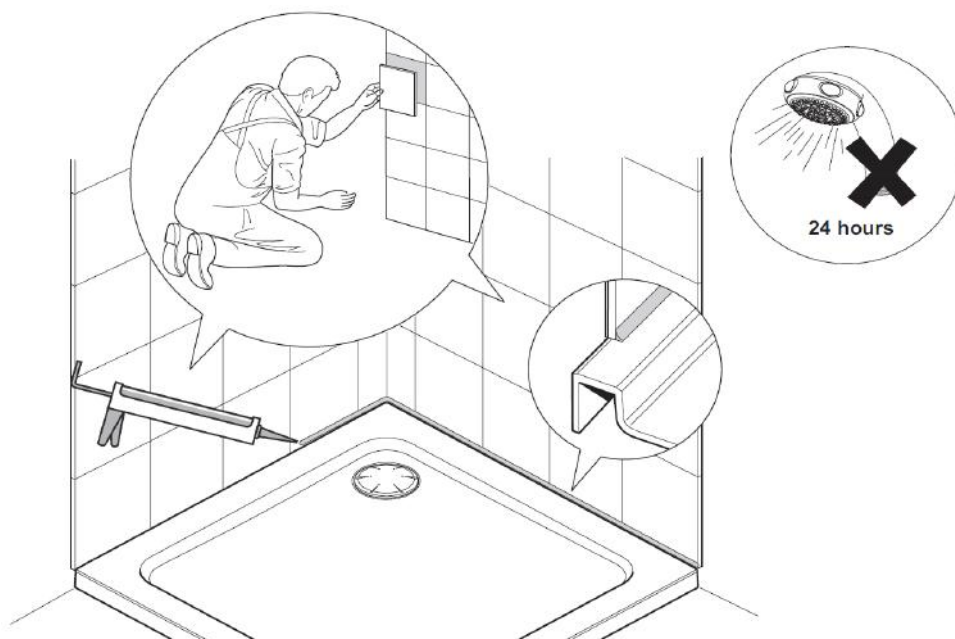
1. Prepare the area in which the tray is to be installed and install the waste trap and pipework (not supplied) ensuring sufficient fall is achieved for the waste pipe.
2. It is recommended that access be left beneath the tray, should any maintenance of the waste be required.
3. The tray should be laid onto a bed of sand and cement mix (5:1 stiff mix).
4. Lay the tray in the desired location, ensuring the waste hole aligns with the installed waste.
5. Ensure the tray is level once laid in the required location.
6. Install the top section of waste (not supplied) into tray.



Shower Tray Installation



7. Apply a bead of good quality silicone between the tray and the wall.



8. Tile the walls down onto the tray.

9. Apply sealant at the join between the tray and the tiles.

10. Do not use the tray for at least 24 hours, to allow the sealant to dry.

For further details or advice call Customer Services on 0844 484 778