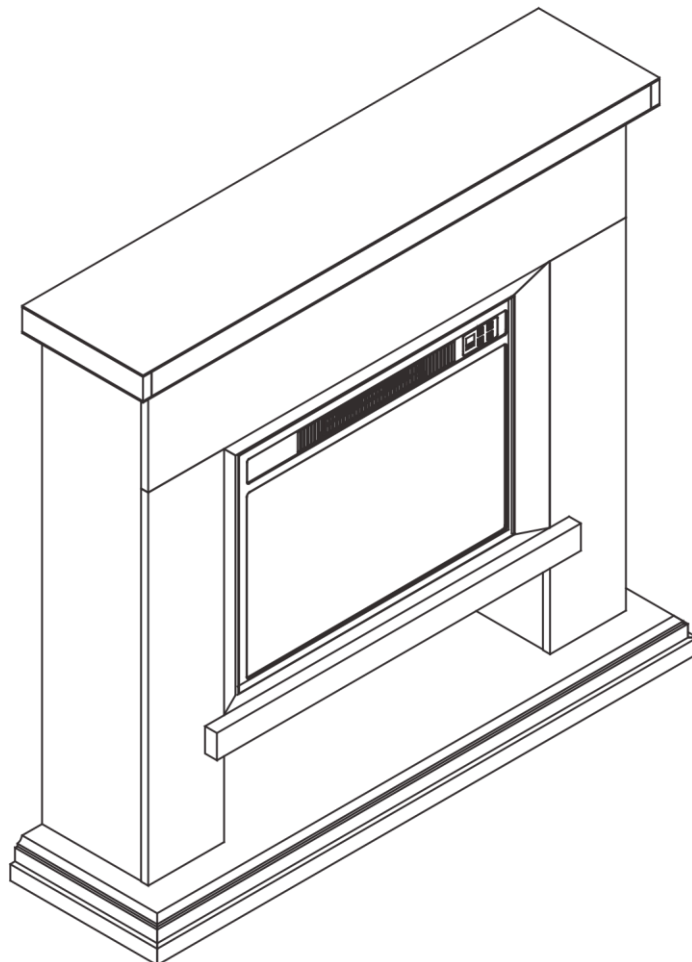


furniture123

**USER AND INSTALLATION
MANUAL**



ELECTRIC FIREPLACE

AGL047

Please read this manual before using or installing the electric fire and keep it safe for future reference.

CONTENTS

SAFETY	2
PARTS LIST	5
INSTALLATION	7
OPERATION	16
TIMER SETTINGS	18
OPEN WINDOW FUNCTION	18
BATTERY REPLACEMENT	18
TOGGLE SWITCH	18
CARE AND MAINTENANCE	19
TROUBLESHOOTING	19
SUPPORT	21
TECHNICAL SPECIFICATIONS	21
PRODUCT FICHE	22

SAFETY INFORMATION

When using electrical appliances, basic safety precautions should always be followed, including the following:

- **IMPORTANT:** Read all instructions and warnings carefully before starting installation. Failure to follow these instructions may result in a possible electric shock or fire hazard and will void the warranty
- Before connecting the appliance, be sure that the mains voltage available matches that specified on the rating plate, and that the outlet is suitably grounded.
- This appliance can be used by children aged from 8 years and above and persons with reduced physical, sensory or mental capabilities or lack of experience and knowledge if they have been given supervision or instruction concerning use of the appliance in a safe way and understand the hazards involved.
- Children aged from 3 years and less than 8 years shall only switch on/off the appliance provided that it has been placed or installed in its intended normal operating position and they have been given supervision or instruction concerning use of the appliance in a safe way and understand the hazards involved. Children aged from 3 years and less than 8 years shall not plug in, regulate, or clean the appliance or perform user maintenance
- Children under 3 years should be kept away unless continuously supervised.
- Some parts of this product can become very hot and cause burns. Particular attention has to be given where children and vulnerable people are present.
- If the supply cord is damaged, it must be replaced by the manufacturer, its service agent or a similarly qualified person in order to avoid a hazard.
- **WARNING:** In order to avoid overheating, do not cover the heater.
- The heater must not be located immediately below a socket outlet.
- **CAUTION:** In order to avoid a hazard due to the inadvertent resetting of the thermal cut-out, this appliance must not be supplied through an external switching device, such as a timer, or connected to a circuit that is regularly switched on and off by the utility.
- Do not attempt to repair, disassemble or modify the appliance. This unit contains no user-serviceable parts.
- Always unplug or disconnect the appliance from the mains power supply when not in use, or when moving or cleaning it. Do not pull the cord to unplug the heater.
- Keep the heater clean. Do not allow any object to enter the ventilation or exhaust opening as this may cause electric shock, fire, or damage to the heater.
- Do not use the appliance for other than its intended use. It is designed for domestic indoor use only.
- There may be a trace of odour during the first few minutes of initial use, or after a period of storage. This is normal and will quickly disappear.
- If the glass is damaged, do not use the heater in order to avoid a hazard.

- Avoid the use of an extension cord, as the cord may overheat and cause a risk of fire.
- This fireplace is hot when in use. To avoid burns, do not let bare skin touch hot surfaced. If provided, use handles when moving this appliance.
- Keep combustible materials, such as furniture, pillows, bedding, papers, clothes and curtains at least 3 feet from the front and sides of this appliance.
- This appliance is designed for indoor use only and is not intended for use in bathrooms, laundry areas and similar indoor locations. Never locate this appliance where it may fall into a bathtub or otherwise become exposed to water.
- Do not run the cord under carpeting. So not cover the cord with throw rugs, runners or the like. Ensure the cord is kept away from traffic areas, and kept in a position which would not present a trip hazard.
- To disconnect this appliance, turn the controls to the off position, then remove the plug from the outlet.
- This appliance has hot and arching or sparking parts inside. Do not use it in areas where gasoline, paint, or any flammable liquids are used or stored.
- This appliance should not be used as a drying rack for clothing, nor should Christmas stockings or decorations be hung on or near it.
- This electric fire is an instant heat source to warm up a room and is great for visual room ambiance it doesn't necessarily need to be used as a constant or permanent source of heating for the home.
- Clean the fire regularly to prevent the build-up of hairs dust or lint around the fire, as this may cause the outlet to become blocked.
- Do not use aerosols or steam cleaners on or around the fire.

MANUAL HANDLING

- The heater must not be moved while in use. Please allow a suitable amount of time for the unit to cool before attempting to move it.
- One person should be sufficient to lift the heater. If for any reason it is considered too heavy then obtain assistance.
- When lifting always keep your back straight. Bend your legs and not your back.
- Avoid twisting at the waist. It is better to reposition your feet.
- Avoid upper body / top heavy bending. Always bend from the knees rather than the waist. Do not lean forward or sideways whilst handling the heater.
- Always grip with the palm of the hand. Do not use the tips of fingers for support.
- Always keep the heater as close to the body as possible. This will minimize the cantilever action.
- If required, use gloves to provide additional grip.
- Always use assistance if required.

ELECTRICAL SAFETY

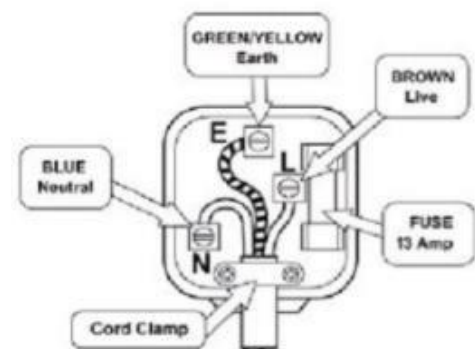
The heater must not be located under an electrical socket; the socket must always be accessible in order to disconnect the heater from the electrical supply for maintenance and cleaning.

Important: This heater must be earthed. The mains supply must be safely routed from the heater to an electrical socket.

- If the supply cord is damaged, it must be replaced by the manufacturer, service agent or a similarly qualified person in order to avoid a hazard.
- This appliance is supplied with a BS1363 3 pin plug fitted with a 13 Amp fuse. Should the fuse require replacement, it must be replaced with a fuse rated at 13 Amp and approved to BS1362.

- In the event the mains plug has to be removed or replaced for any reason. **NOTE:** The wires in the mains lead on this appliance are coloured in accordance with the following code:

- **Green and Yellow** - Earth
- **Blue** - Neutral
- **Brown** - Live



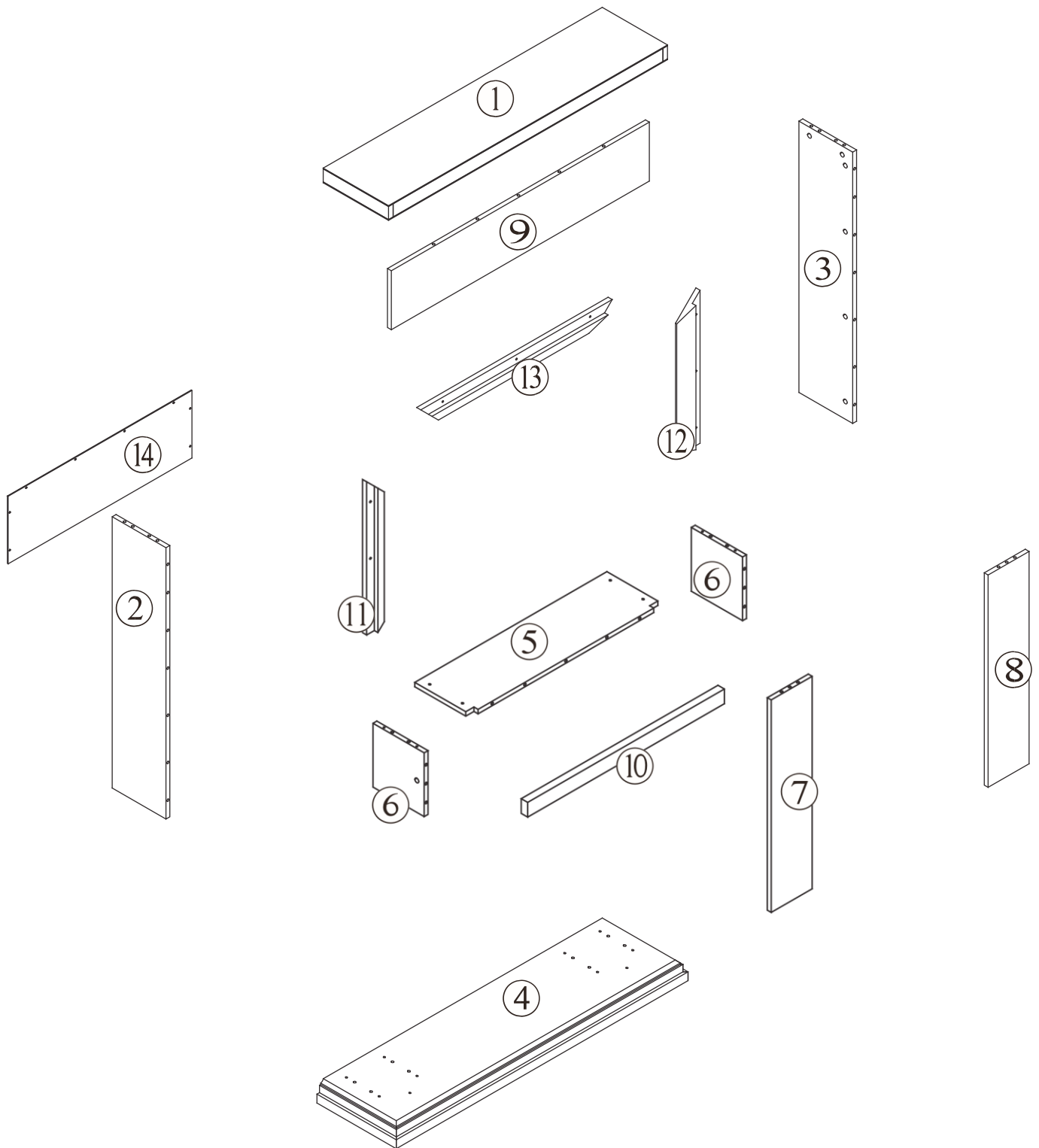
NOTE: As the colours may not correspond with the markings identifying the terminals in your plug, please proceed as follows.

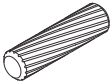
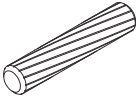
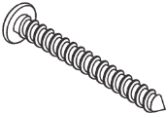

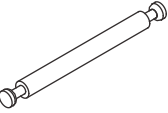
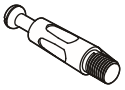

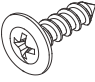

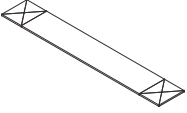
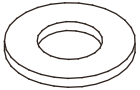
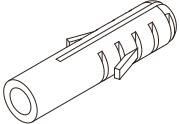
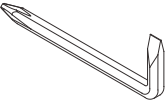
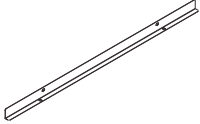
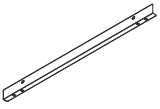
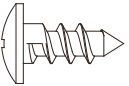

- The green and yellow wire must be connected to the terminal in the plug which is marked with the letter E or with the earth symbol or coloured green and yellow.
- The blue wire must be connected to the terminal marked N or coloured black.
- The brown wire must be connected to the terminal marked L or coloured red.

Important - any cut off plug should be disposed of safely to prevent a hazard. There is a danger of electric shock if a cut off plug is inserted into a socket outlet.

PARTS SUPPLIED (FIREPLACE)

NOTE: Pictures and contents in this manual may differ from the product due to continuous product improve. **Ensure all parts are accounted for before starting.**



 $\Phi 7.8 \times 30\text{mm}$ AX30	 $\Phi 7.8 \times 40\text{mm}$ BX4	 $\Phi 4 \times 40\text{mm}$ CX2	 $\Phi 4 \times 35\text{mm}$ DX14	 EX2
 FX20	 GX24	 $\Phi 3 \times 14\text{mm}$ HX8	 $\Phi 4 \times 24\text{mm}$ IX11	 JX2
 KX4	 LX2	 MX1	 AAx1	 BBx2
 $\Phi 4 \times 10\text{mm}$ CCx6+2 extra	 $\Phi 4 \times 6\text{mm}$ DDx6+2 extra			

INSTALLATION

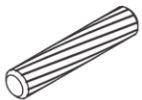
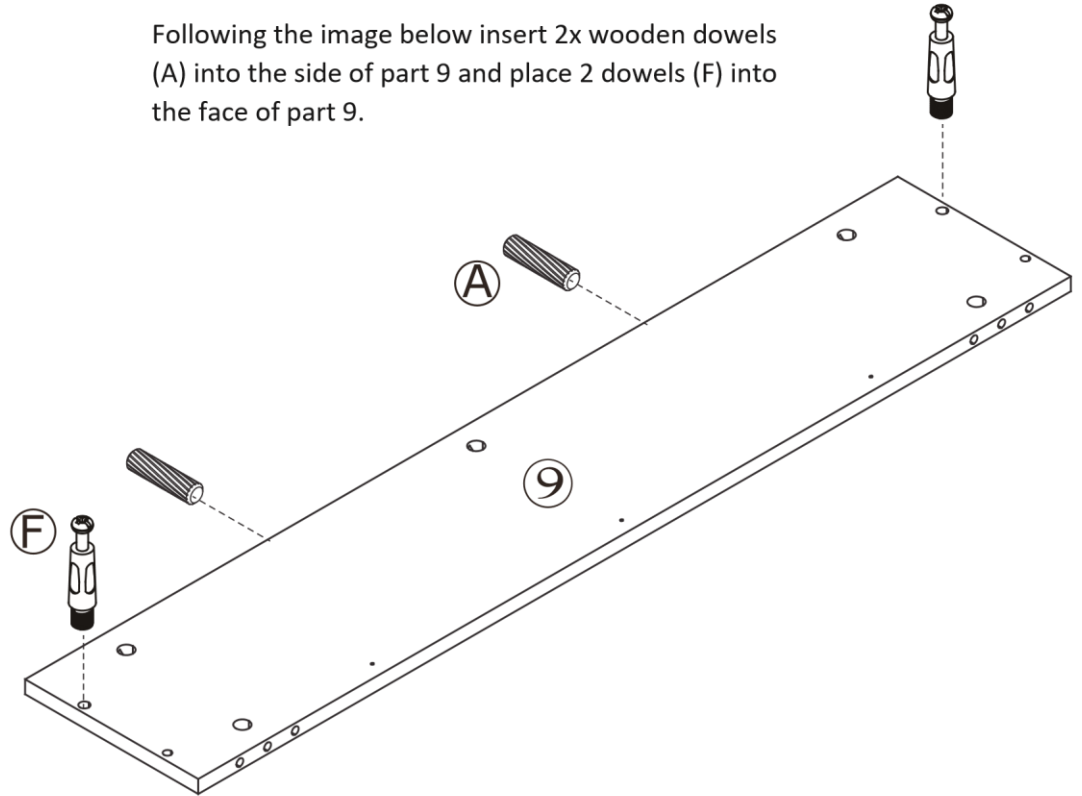


AX2



FX2

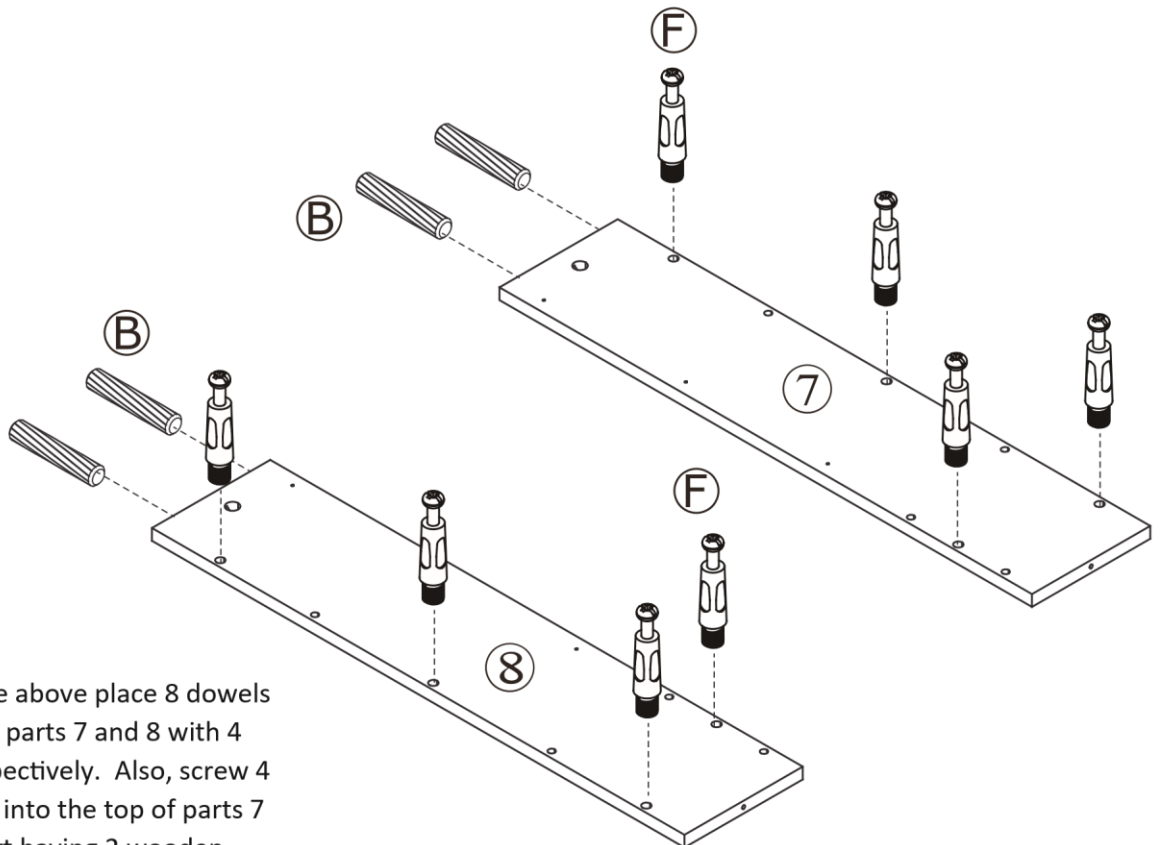
Following the image below insert 2x wooden dowels (A) into the side of part 9 and place 2 dowels (F) into the face of part 9.



BX4

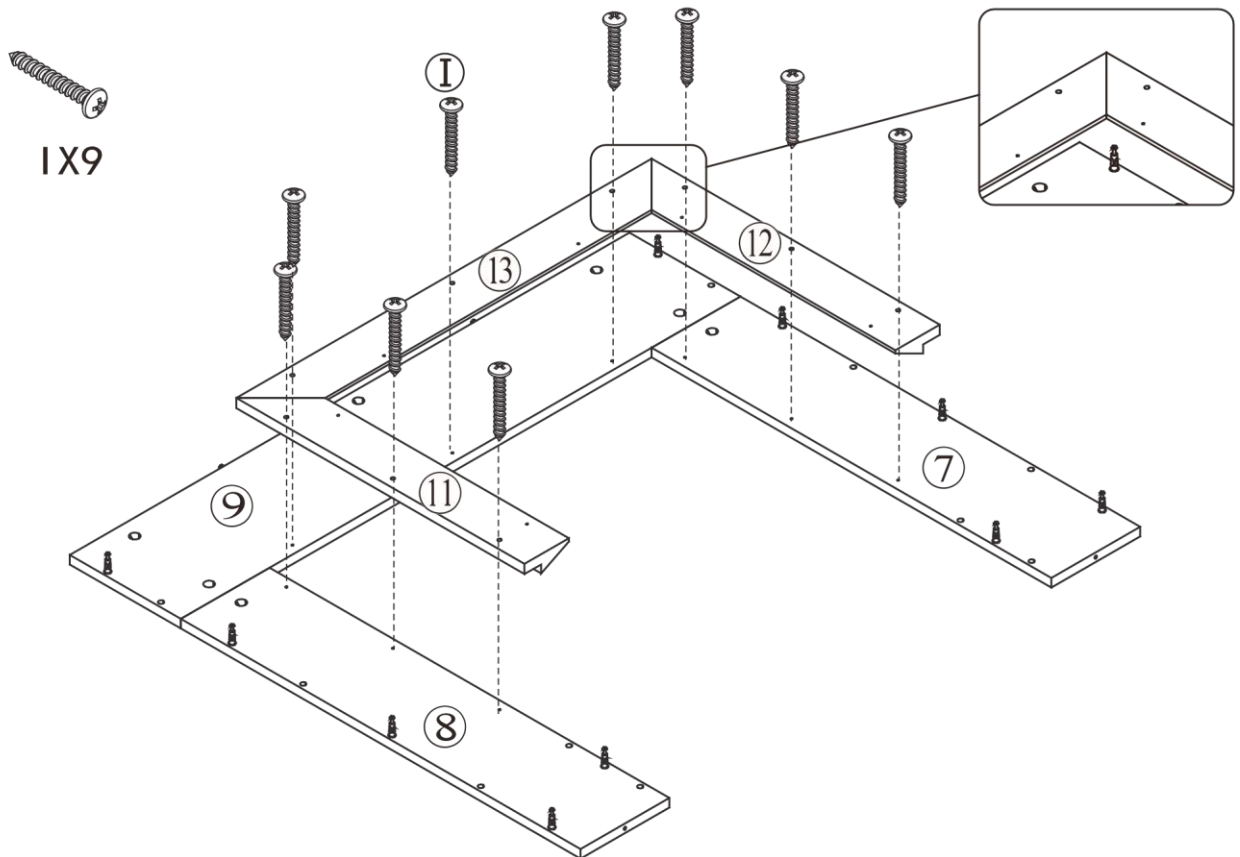
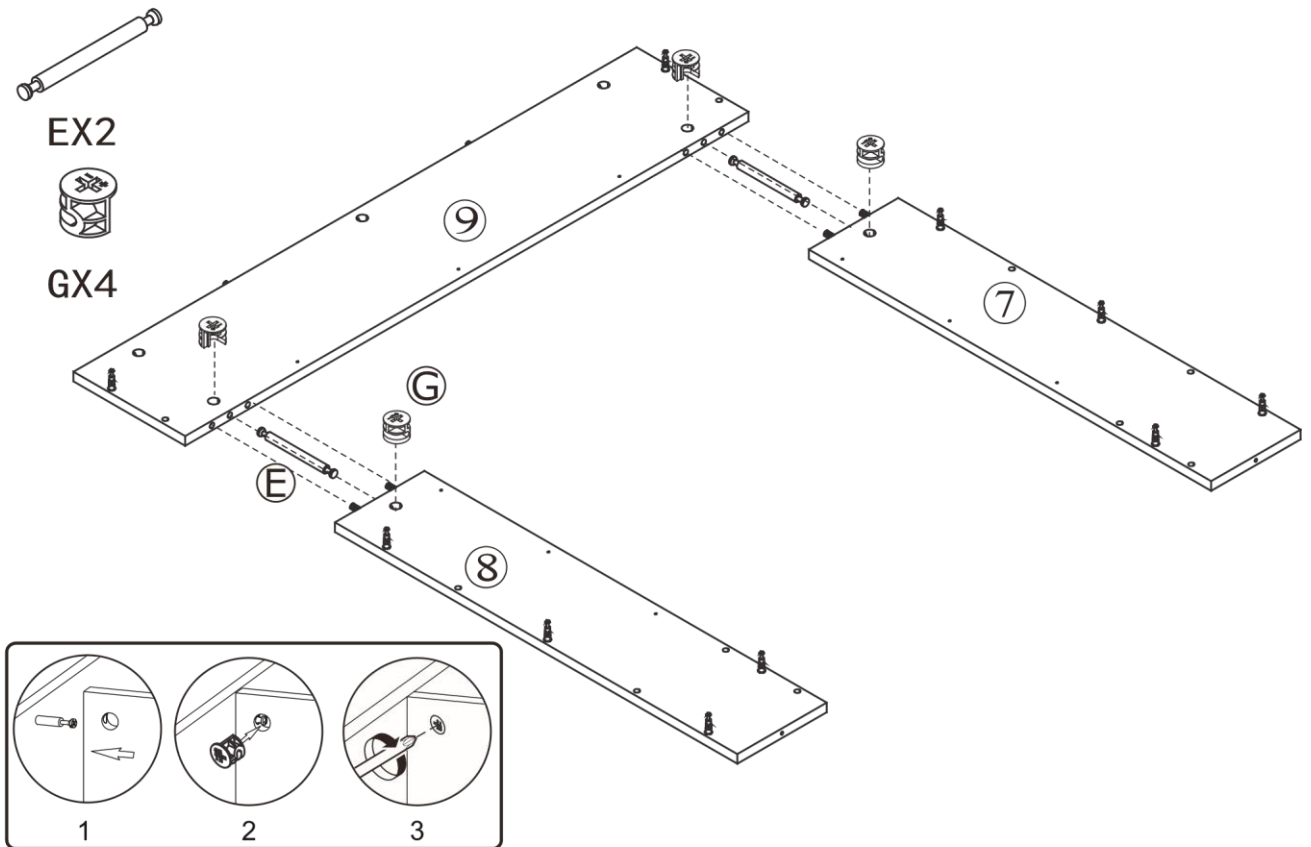


FX8



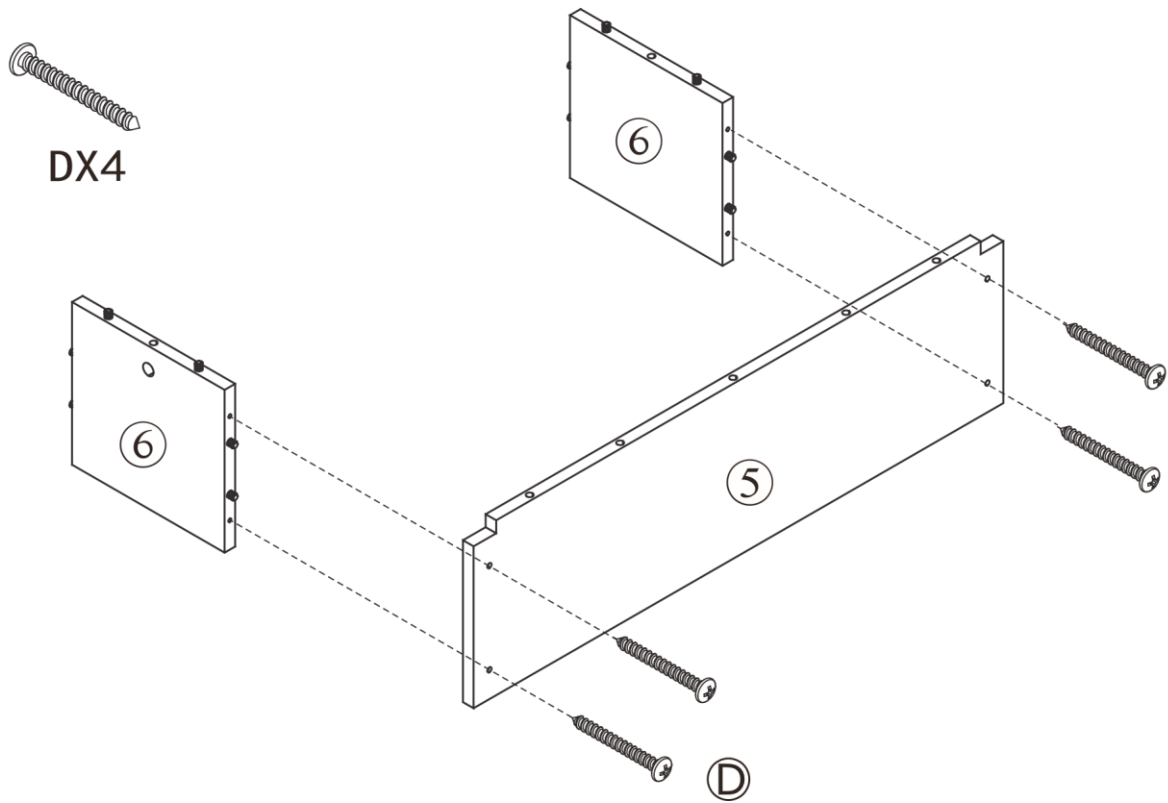
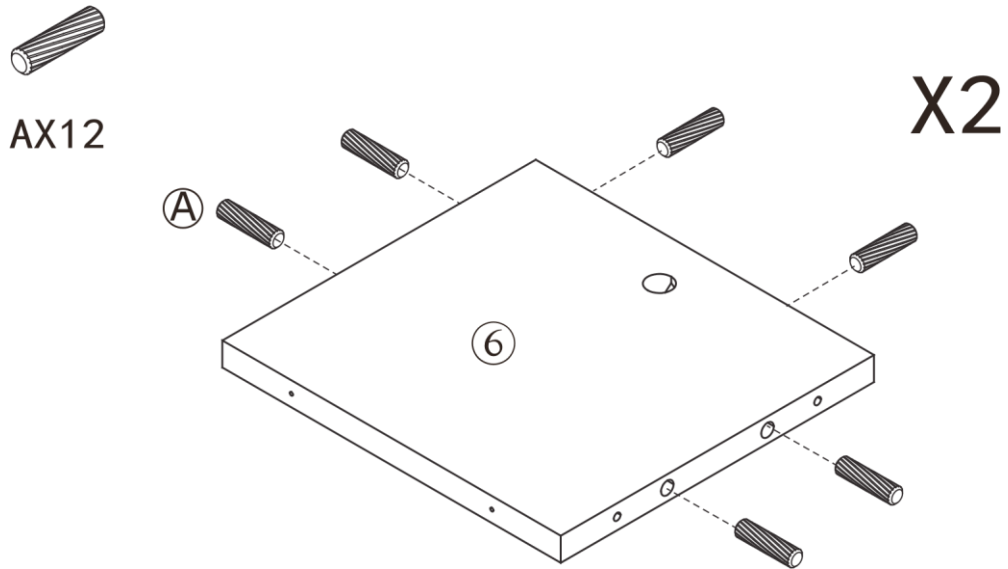
Following the image above place 8 dowels (F) into the faces of parts 7 and 8 with 4 dowels in each respectively. Also, screw 4 wooden dowels (B) into the top of parts 7 and 8 with each part having 2 wooden dowels respectively.

Following the image below place 2 cam dowels (E) into the side of part 9 and screw in cams (G) on either side of the of the cam dowels (E), so that parts 7 and 9 and 8 and 9 are connected together.



Following the image above screw in 9 screws (I), so that part 11 is on top of part 8, part 13 is on top of part 9 and part 12 is on top of part 7. As shown above parts 11 and 12 should be connected to part 13 with no gap.

Following the image below insert 12x wooden dowels (A) into the sides of 2x part 6.
Each part 6 should have 6 wooden dowels (A) respectively.

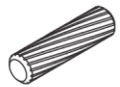
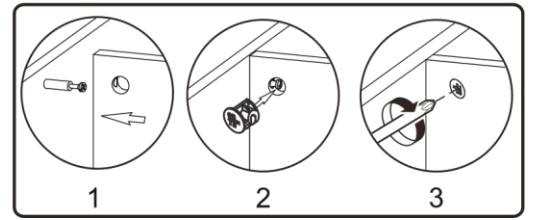
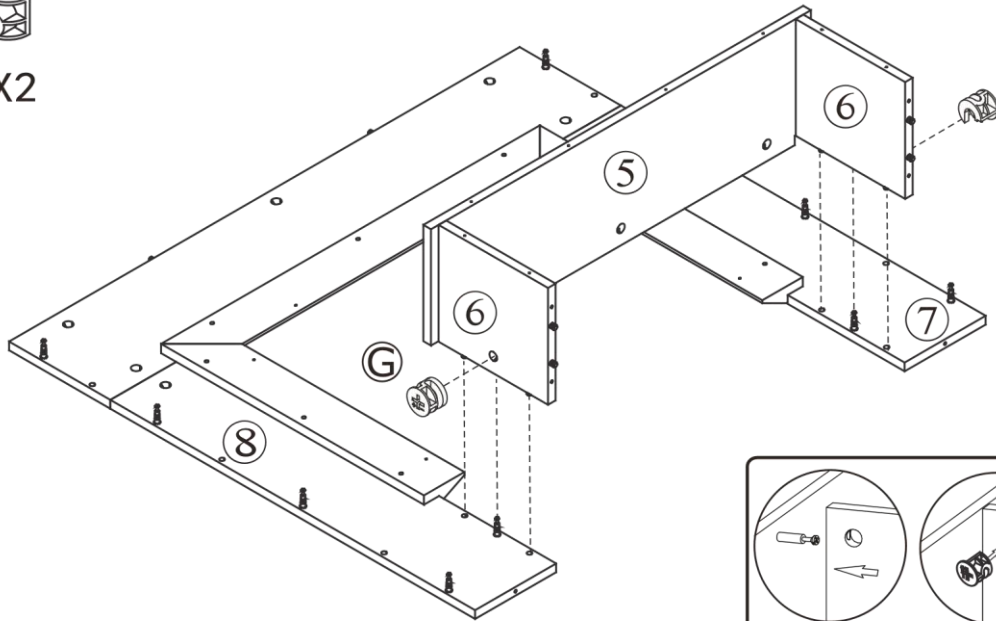


Following the image above screw in 4x screws (D) in to the top face of part 5 and then connect the 2x part 6 to the boom face.

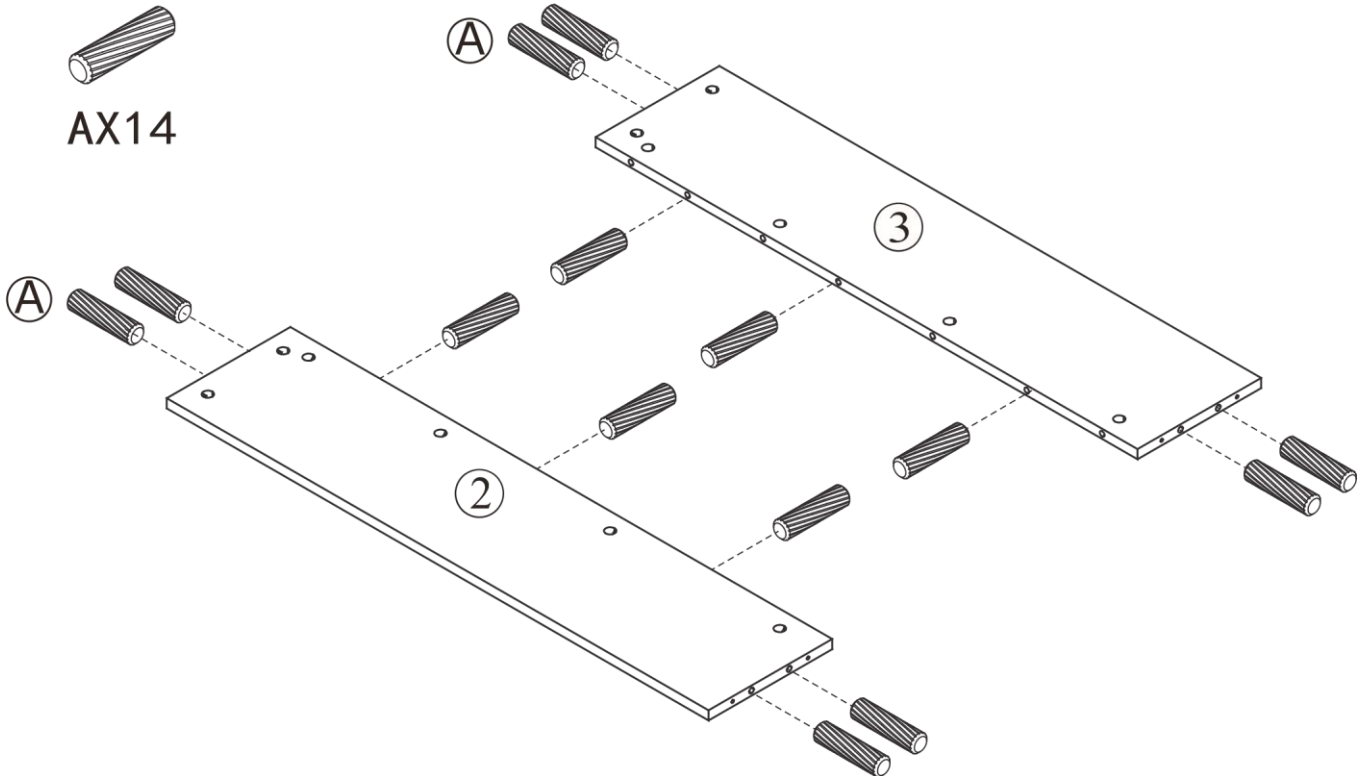
Following the image below place 2x part 6 onto parts 7 and 8 respectively. Then screw 2x cams (G) into 2x part 6 so each part 6 has 1 cam respectively.



GX2

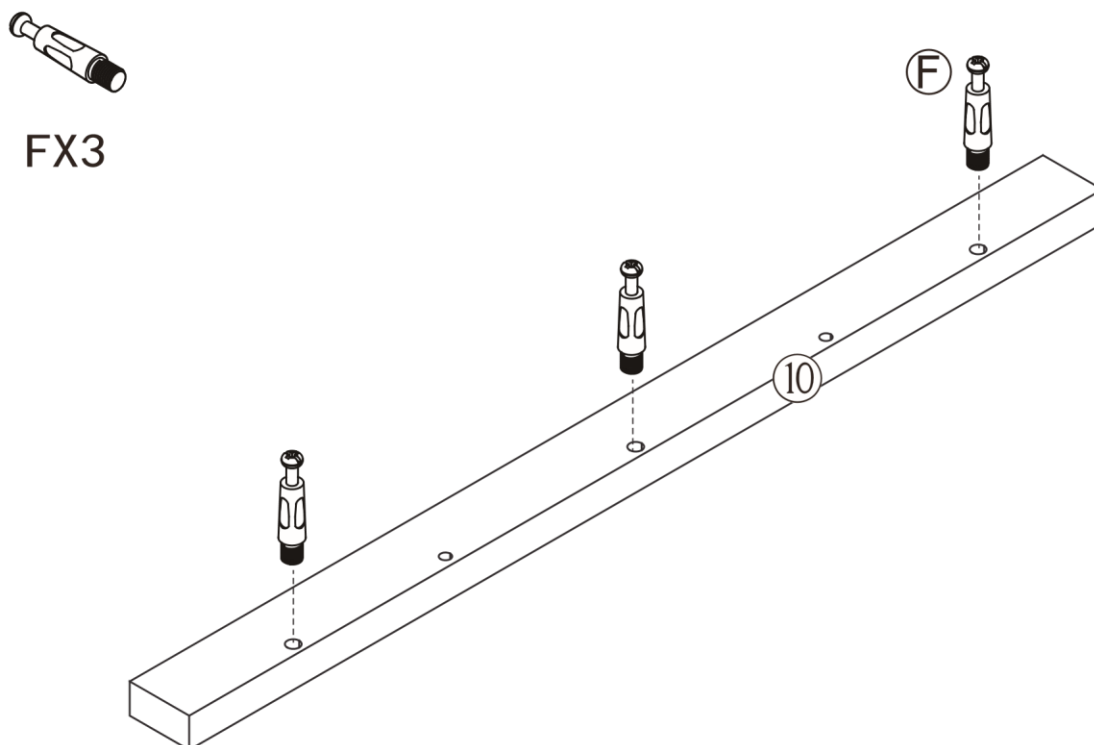
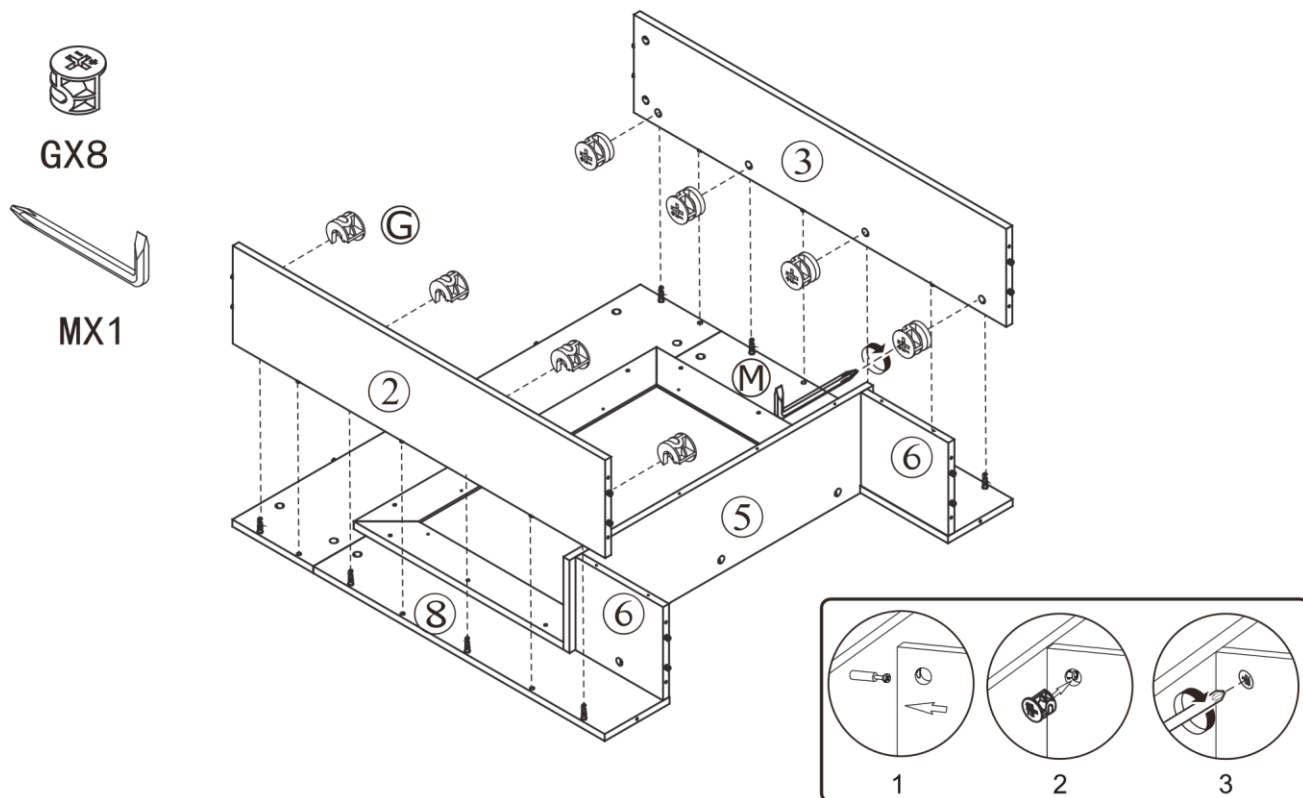


AX14



Following the image above insert 14x wooden dowels (A) into the side of parts 2 and 3 with each part having 7x wooden dowels (A) respectively.

Following the image below place parts 2 and 3 onto parts 8 and 9, 7 and 9 respectively. Then insert 8x cams (G) into parts 2 and 3, so that each part has 4 cams (G) and screw using the right-angled Allen key (M).



Following the image above screw in 3 dowels (F) onto the flat side of part 10.

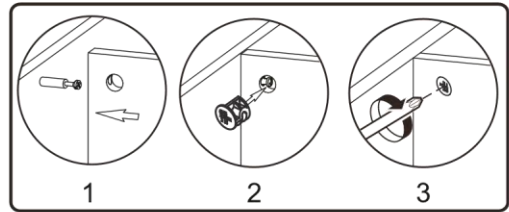
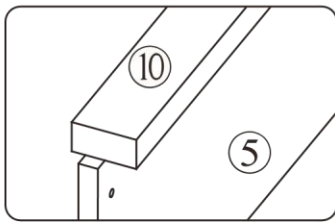
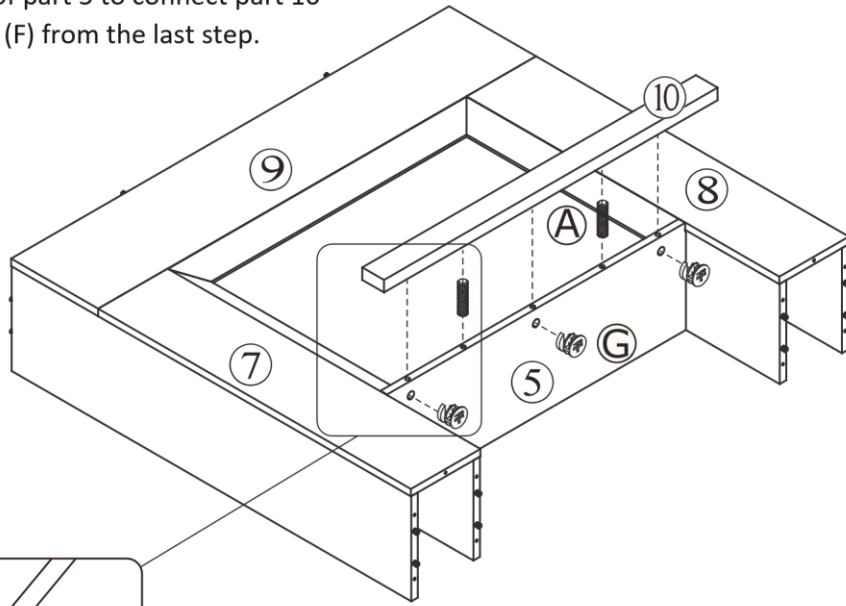
Following the image below insert 2x wooden dowels (A) into the side of part 5 and screw in 3x cams (G) into the face of part 5 to connect part 10 and 5 using the dowels (F) from the last step.



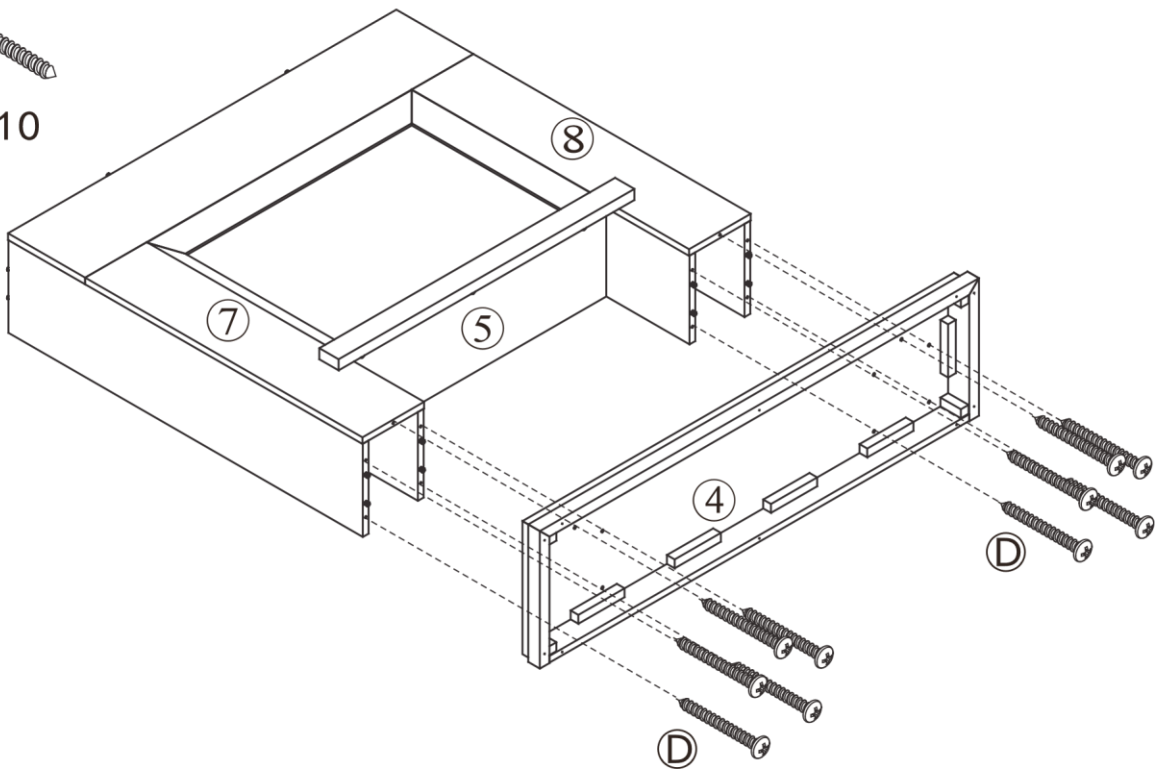
AX2



GX3

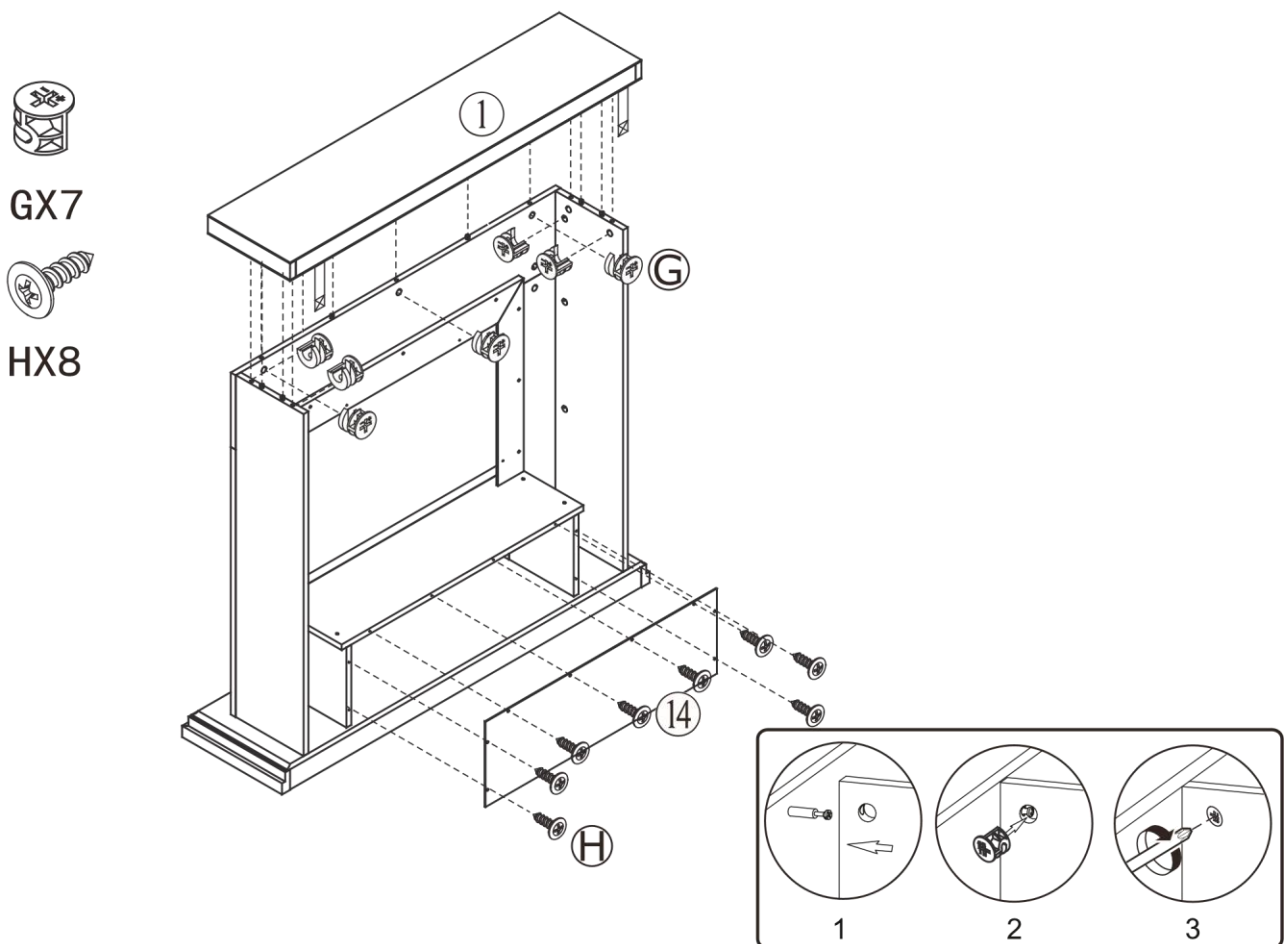
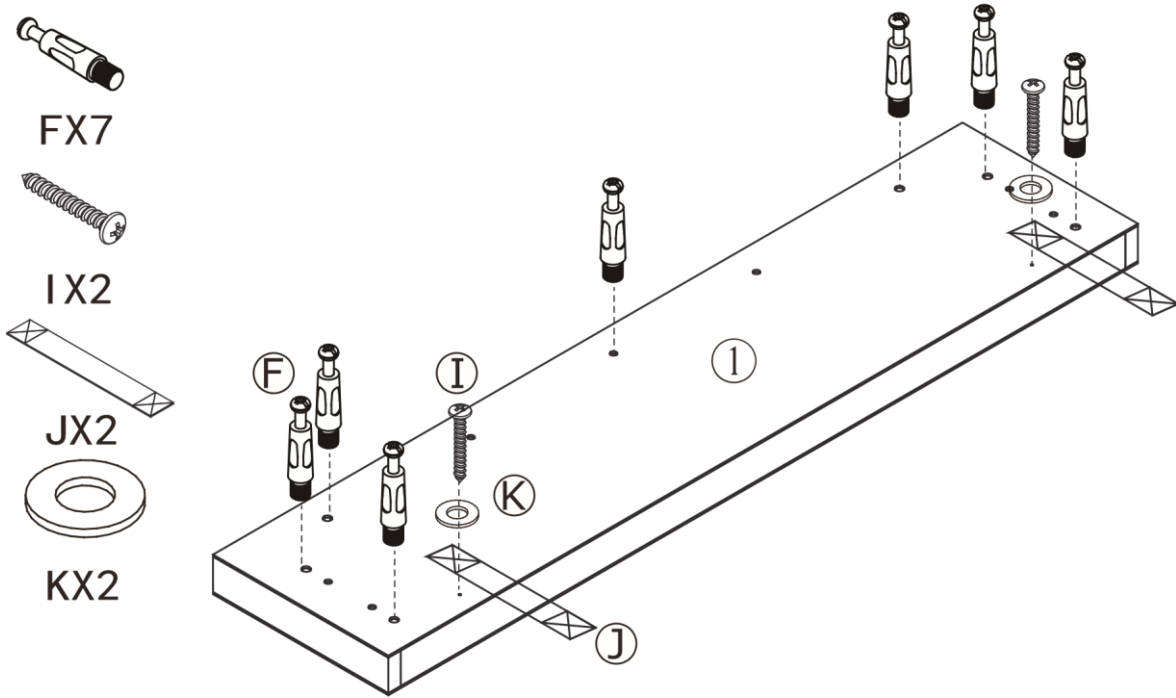


DX10



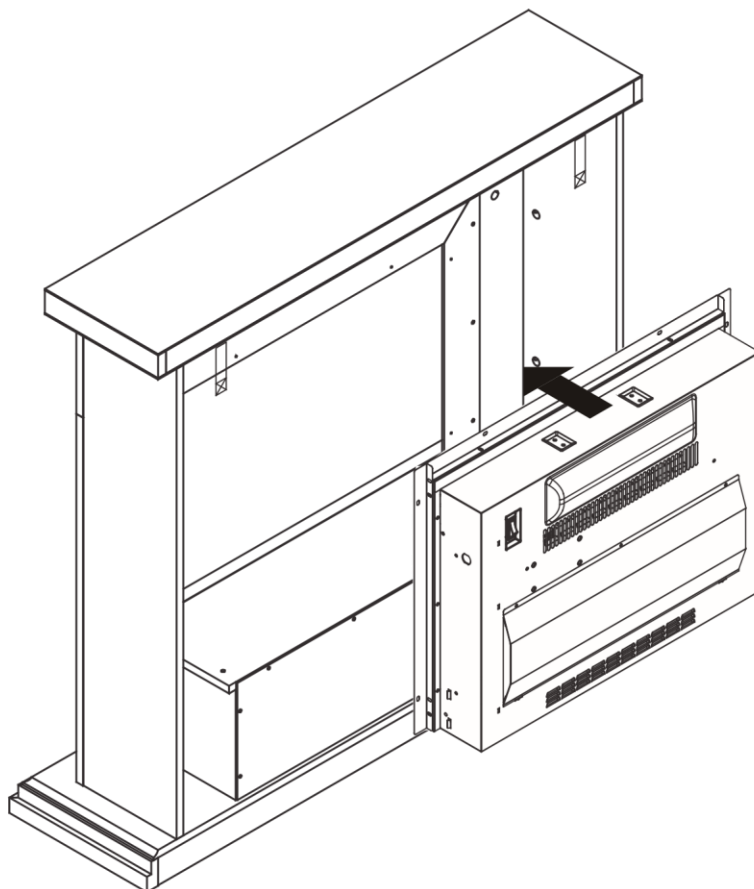
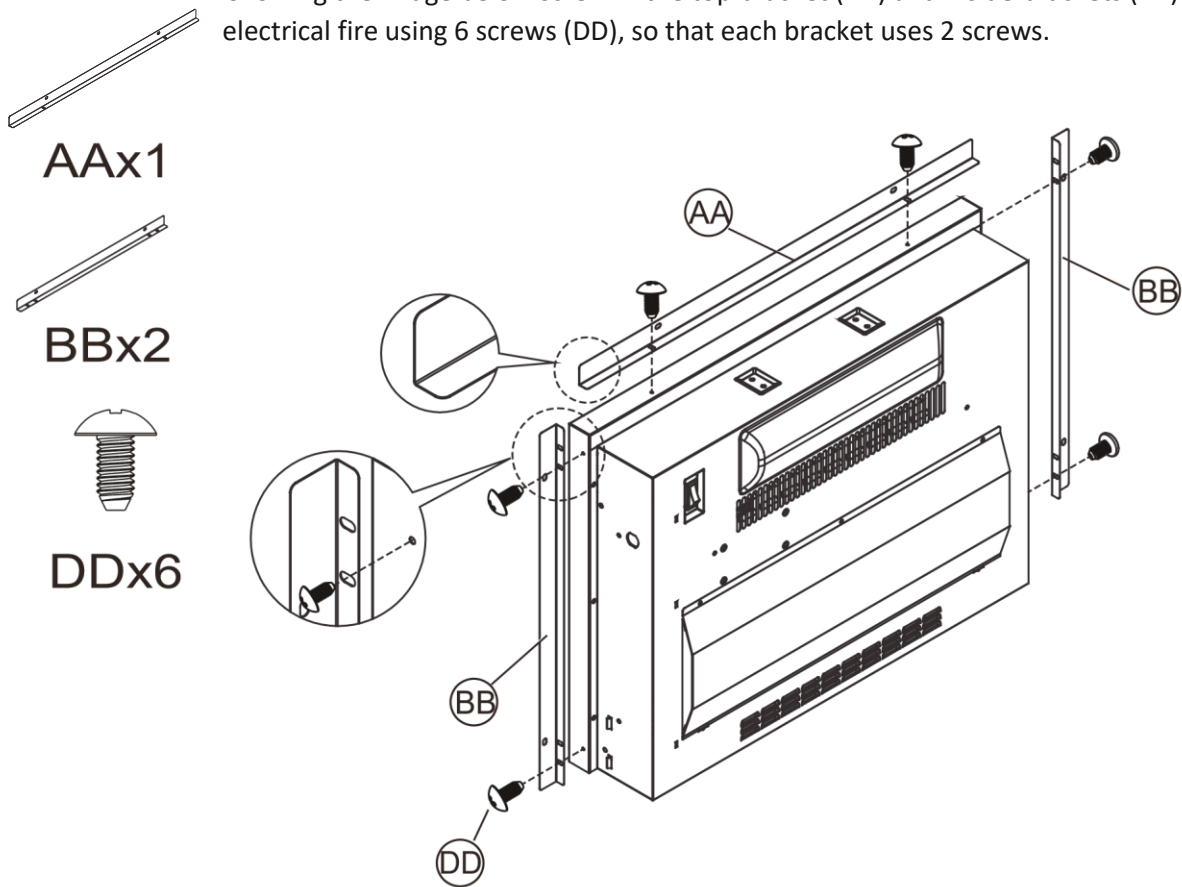
Following the image above line up part 4 to part 7 and 8. Then screw in 10 screws (D) to connect part 4 to parts 7 and 8 with 5 screws (D) respectively.

Following the image below screw the 2 fastening straps (J) into the face of part 1 using the washers (K) and screws (I) provided. Then screw in 7 dowels (F) into the same face of part 1.



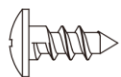
Following the image above screw in part 14 using 8 screws (H) into the sides of both part 6s. Then screw in part 1 to the top of part 2, part 9, part 3 using 7 cams (G).

Following the image below screw in the top bracket (AA) and 2 side brackets (BB) to the electrical fire using 6 screws (DD), so that each bracket uses 2 screws.

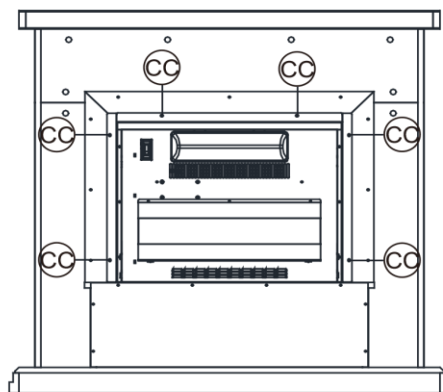
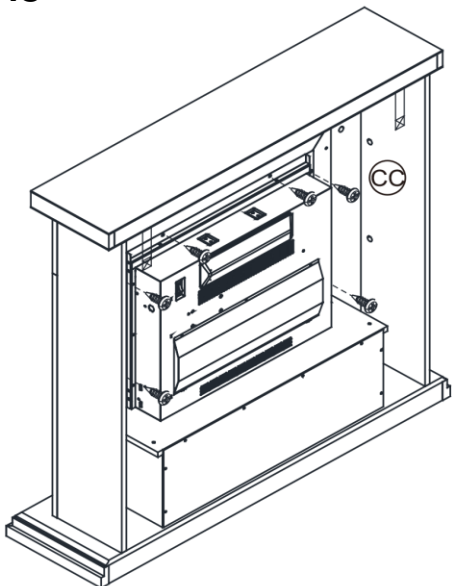


Following the image above gently place the fire into the fireplace.

Following the image below screw 6 screws (CC) to secure the fire into the fireplace.



CCx6



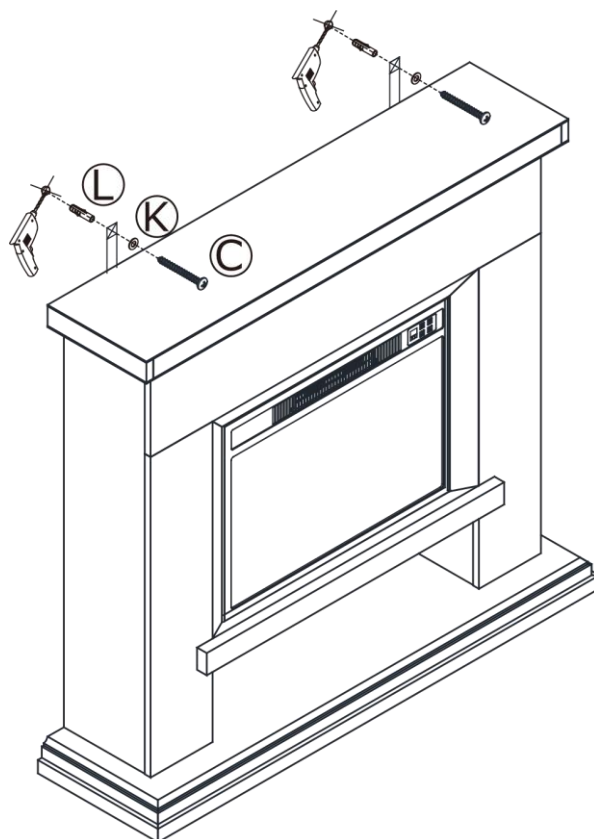
CX2



KX2



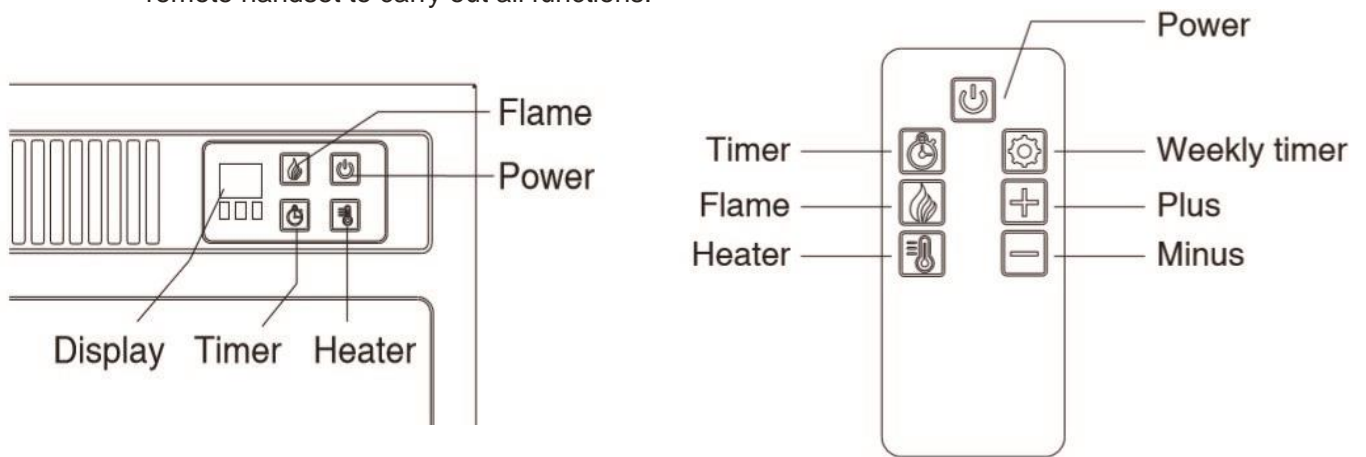
LX2






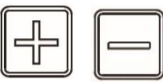


Following the image above determine where you will be drilling in the fastening straps and drill 2 holes. Place in the wall plugs (L) and drill in screws (C) through the fastening straps and washers (K).

OPERATION

NOTE: The manual button on the firebox unit will not provide you with all the function control, and its purpose is to control some basic function when you lose the remote handset. Please use the remote handset to carry out all functions.



	POWER	Turn the unit on or off.
	TIMER	Pressing the timer button repeatedly will cycle through the following timer. Settings: 30 minutes, 1 hour, 2 hours, 3 hours, 4 hours, 5 hours, 6 hours and off. The display shows: 30-1H-2H-3H-4H-5H-6H-None. The fireplace will automatically turn off when the timer reaches zero minute.
	FLAME	This button controls the flame effect. Allows you to adjust the flame to suit your mood. Press this button to increase/decrease the flame effect. Change the flame by pressing flame button repeatedly. The brightness level of flame is as follows: high-medium-low -off. And the display shows L3 -L2- L1 accordingly.
	HEATER	The default setting temperature is 72°F (22°C). Hold the heater button for 5 seconds the display will flash, then change temperature by pressing heater button repeatedly. The thermostat setting range is 62°-82°F or 17°-27°C. To change between °F and °C press and hold the Power button for 5 seconds when the heater is on. After setting, the display unit will flash 5 times.
	WEEKLY TIMER	Set the Weekly timer. (SEE WEEKLY TIMER SECTION)
	INCREASE DECREASE	Time and temperature increase/decrease during weekly timer setting.

WEEKLY TIMER SETTINGS

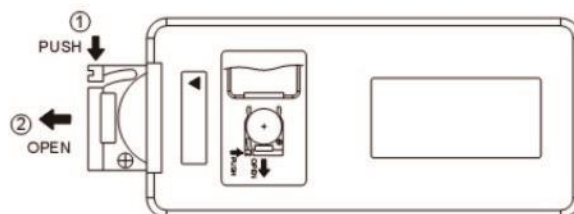
- Press Weekly timer Button to enter the weekly timer settings. The display will show “0”.
- Press Weekly timer Button a second time until the back digits start flashing, the display shows “1 d” that means the weekly timer start from today.
- Press Weekly timer Button a third time to set the start working hours. Using the [+] and [-] to adjust. (0~23)
- Press Weekly timer Button a fourth time to set power-off working hours. Using the [+] and [-] to adjust. (0~23)
- Press Weekly timer Button a fifth time to set temperature. Using the [+] and [-] to adjust. (17~27 or on/off)
- Press Weekly timer Button a sixth time for next day, the display will show “2 d” (the timer goes to 7 days and the cycles back to 1 day) the operation method is same as above. If no buttons are pressed for 5 seconds during the time setting, it will automatically exit the 7-day weekly timer setting.

OPEN WINDOW FUNCTION

In the thermostat control heating mode, when the ambient temperature drops over 3 °C in 30 minutes, the display shows “00” and flashes, this means there is window open or there may exist some cooling items opened, at the same time the temperature control turns the heating off. You will need to turn the appliance off to stop the flashes.

BATTERY REPLACEMENT

The fire is supplied with an IR multifunction remote. Before the remote will operate the plastic, insulating sheet needs to be removed. Battery Requirements: CR2025

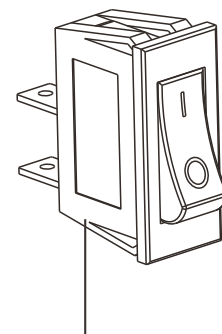


1. Locate and remove the battery bracket.
2. The battery has two sides, one with a button feature, and the other is flat.
3. Insert the battery with the button side down into the battery bracket, making sure the battery is firmly seated.

TOGGLE SWITCH

The toggle switch is located on the back of the unit.

NOTE: Before using the fireplace please make sure set the toggle switch on the “I”. Set the toggle switch to the “O” if you would like to turn off the unit.



Toggle switch

CARE AND MAINTENANCE

When cleaning unit, the power supply should be disconnected and the unit should be cool.

Dust can be removed by lightly wiping the glass surface with clean, lint free cloth or paper towel. To remove fingerprints or other marks, use a damp cloth with a good quality household glass cleaner. The front glass panel should be completely dried before reusing the heater.

CAUTION:

- Do not use abrasive cleaner on glass panel.
- Do not spray liquids directly onto any surface of the unit.
- Do not clean the glass on the inside of the unit as this may cause damage to the surface

TROUBLESHOOTING

Most problems are simple to resolve - please refer to the following table before calling a service engineer:

Problem	Possible Cause	Check
Fire has stopped working/is not switching on.	The fire has overheated and the thermal safety device has activated or a circuit breaker has tripped.	Check there is power to the socket where the fire is connected, check the fuse in the plug, and leave for 10 minutes in case of thermal cut-out.
Flame is not moving/logs glow but flame effect does not work.	Flame motor defective	1.Contact the retailer or manufacturer. 2.Check to see if the spinning motor is working.
Heater doesn't work, but Power and Heater switches / buttons are in the "ON" position.	1.The thermal safety device has activated. 2.Heating element has failed.	1.Turn all switches / buttons to the "OFF" position and unplug the unit from the wall outlet for 10 minutes. After 10 minutes plug the unit back into wall outlet, and operate as normally. 2.Contact the retailer or manufacturer.

<p>Fire seems noisy.</p>	<p>1. There is a level of noise when the flame effect is in use, caused by a motor that helps generate the effect. This noise will be heard when there is no other background noise.</p> <p>2. There is a higher level of noise associated with the heater motor; this is due to the air flow required when heat has been selected.</p>	
<p>There is a visible flame effect, but the heater does not blow warm air.</p>	<p>Set temperature is lower than room temperature.</p>	<p>1. Check that the temperature setting exceeds the room temperature.</p> <p>2. Turn on/off the Heater button several times to make sure it is in the "ON" position</p>
<p>Remote is not operating</p>	<p>1. Remote has malfunctioned.</p> <p>2. Remote batteries are dead.</p>	<p>1. Repeatedly pressing buttons in rapid succession may cause the transmitter to malfunction. Operate remote transmitter at a slow measured pace. Press the remote control buttons with an even motion and gentle pressure.</p> <p>2. Check or replace batteries.</p>

SERVICING

It is hazardous for anyone, other than a qualified service technician, to carry out any service or repair operation, which involves removal of any components.

WASTE ELECTRICAL RECYCLING

This symbol indicates that this product is classed as Electrical or Electronic Equipment and should not be disposed of with other household waste.



The Waste Electrical and Electrical Equipment (WEEE) Directive has been introduced across the European Union:

- To recycle waste electrical products using the best available recovery and recycling techniques in order to minimize the impact on the environment.
- To treat any hazardous substances and
- To avoid increasing landfill.

WEEE product should be disposed of by handing it over at a designated collection point. **For more information about where you can drop off your waste product for recycling, please contact your local authority.**

SUPPORT

Please, for your own convenience, make these simple checks before calling the service line. If the unit still fails to operate call: 0871 620 1057 or complete the online form

1. Is the unit plugged into the mains?
2. Is the fuse OK?
3. Switch the unit off and wait ten minutes to see if the issue is resolved. Restart the unit.

Office hours: 9AM - 5PM Monday to Friday

Buy It Direct
Unit J6, Lowfields Business Park,
Lowfields Way, Elland,
West Yorkshire, HX5 9DA

TECHNICAL SPECIFICATION

Description of Product	Embedded Electric Fire
Model	AGL047
Rated Voltage	220-240V~
Rated Frequency	50 Hz
Rated Power	1800W~2000W
Dimensions (W) x (H) x (D)	58.4 x 12.8 x 43.5 cm
Weight	7.2 KG

Model Identifier: AGL047					
Item	Symbol	Value	Unit	Item	Unit
Heat Output				Type of heat input, for electric storage local space heaters only (select one)	
Nominal heat output	P _{nom}	2.0	kW	manual heat charge control, with integrated thermostat	No
Minimal heat output	P _{min}	N/A	kW	manual heat charge control with room and/or outdoor temperature feedback	No
Maximum continuous heat output	P _{max}	1.9	kW	electronic heat charge control with room and/or outdoor temperature feedback	No
Auxiliary electricity consumption				fan assisted heat output	No
At nominal heat output	e _{lmax}	N/A	kW	Type of heat output/room temperature control (select one)	
At minimum heat output	e _{lmin}	N/A	kW	single stage heat output and no room temperature control	No
In standby mode	e _{lsb}	0.22	kW	two or more manual stages, no room temperature control	No
				with mechanical thermostat room temperature control	No
				with electronic room temperature control	No
				with electronic room temperature control plus day timer	No
				with electronic room temperature control plus week timer	Yes
				Other control options (multiple selections possible)	
				room temperature control with presence detection	No
				room temperature control, with open window detection	Yes
				with distance control option	No
				with adaptive start control	No
				with working time limitation	No
				with black bulb sensor	No
Contact Details	BuyItDirect, Unit J6, Lowfields Business Park, Lowfields Way, Elland, West Yorkshire, HX5 9DA BuyItDirect, The Black Church, St Mary's Place, Dublin 7				