



# Birlea

Suppliers of inspiration

Vendor: S000296



## ASSEMBLY INSTRUCTIONS AZTEC 5 DRAWER NARROW CHEST

**IMPORTANT: READ THESE INSTRUCTIONS CAREFULLY BEFORE ASSEMBLING OR USING YOUR AZTEC 5 DRAWER NARROW CHEST.**

PLEASE KEEP THESE INSTRUCTIONS FOR FUTURE REFERENCE.

### HEALTH & SAFETY:

DO NOT use this item if any parts are missing, damaged or worn.

DO NOT use this item unless all fixings are secured.

Please keep small parts out of reach of children.

Always use on a level, even surface.

### CARE & MAINTENANCE:

Assemble on a soft, clean surface to prevent damages.

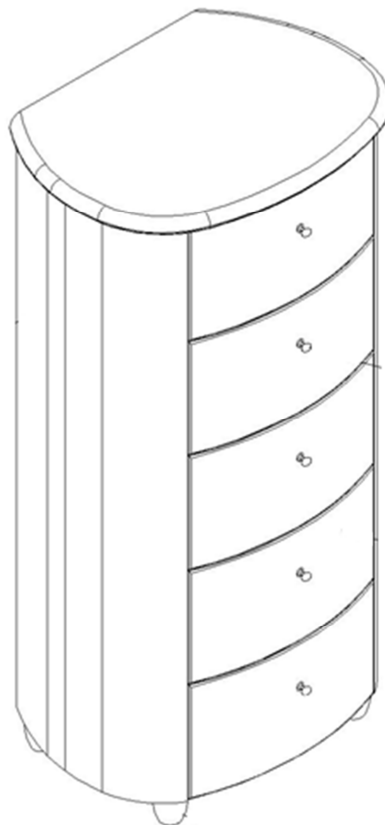
Assemble in the room of use.

Periodically check all screws & fixings to ensure they are secure.

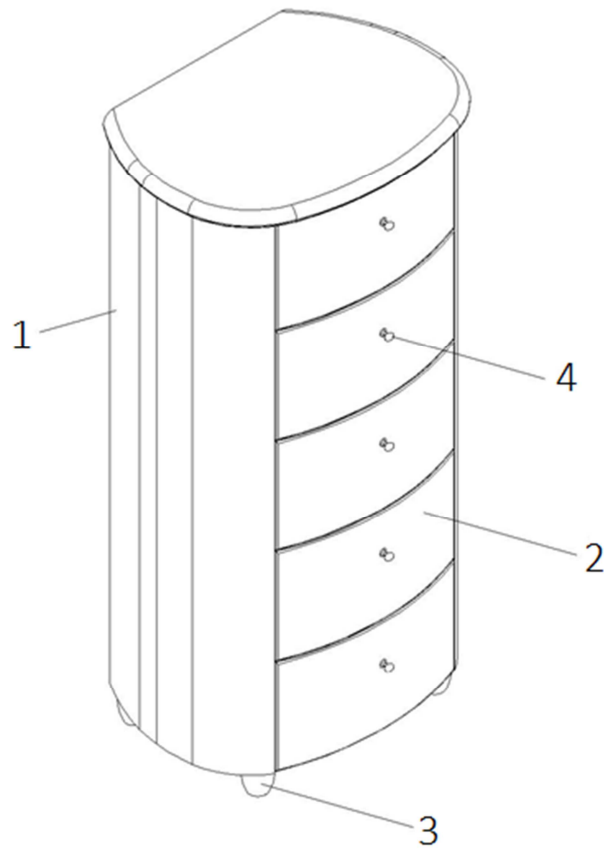
DO NOT push the item as this will damage the legs.

Always lift the item with two people to reposition.

Keep any sharp objects away from the item.

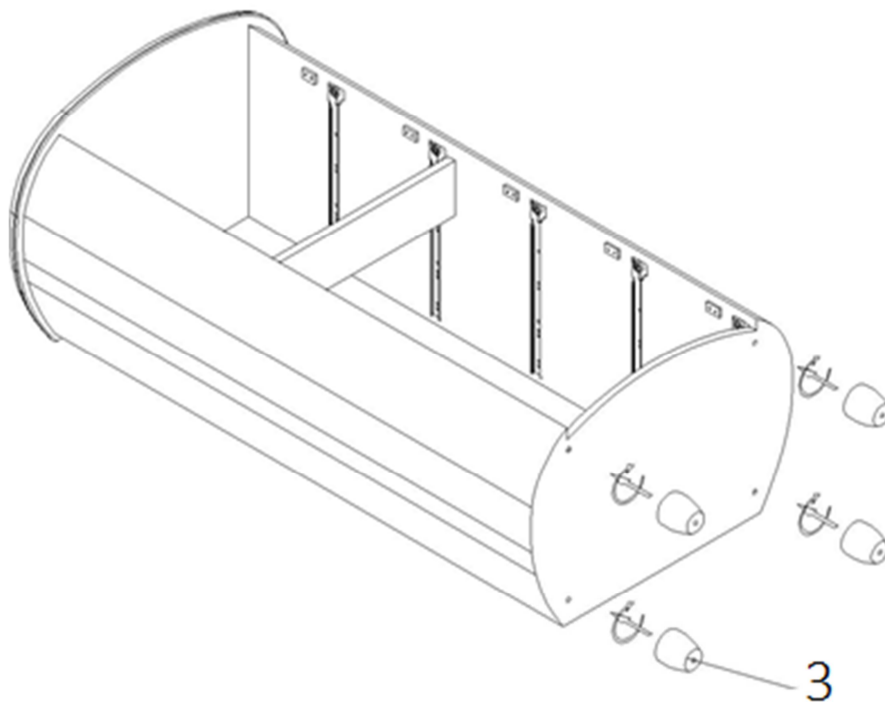


[www.birlea.com](http://www.birlea.com)



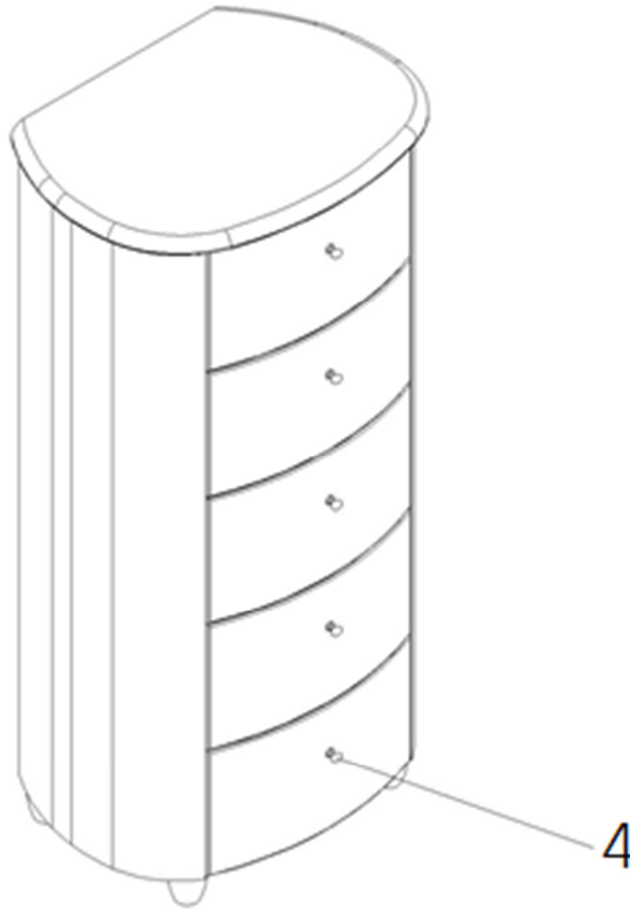
Parts List		
Part	Description	Qty
1	Chest	1
2	Drawer	5
3	Foot	4
4	Handle	5

Step 1: Screw the feet (4) into the chest (1).



Step 2: Remove the handles (4) from inside the drawers and secure them to the drawer fronts using a screwdriver (not provided).

DO NOT use any power tools as this may damage the item and will invalidate any claim.



### Additional Information:

- For complete product information, images and dimension diagrams please visit the website [www.birlea.com](http://www.birlea.com)
- If you have any issues with your item please contact the retailer directly you purchased it from who will be able to resolve any issues with Birlea.
- Why don't you send us photos of your assembled furniture to [info@birlea.com](mailto:info@birlea.com) to be shared in our #birleahome feature on Instagram.