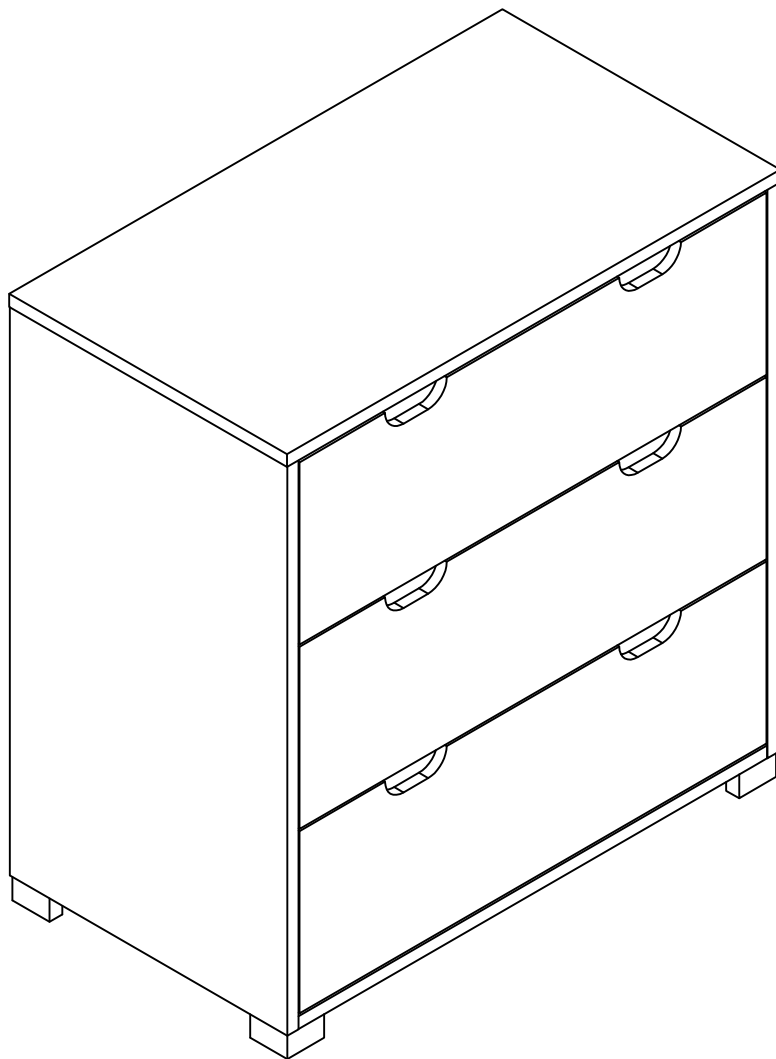


Assembly instructions

Product Size H850 x W800 x D450 mm

Version reference 1 25/03/16



IMPORTANT : Before you start please read the instructions in full and keep for future reference.



When you are ready to start, make sure that you have plenty of space and a clean, dry area for assembly.

Due to the size of this product we recommend that it is assembled in the room intended for use.

Unwrap all packaging materials and place the components on top of the carton box or on a clean floor to prevent it from scratching.

Check the pack and make sure you have all the parts listed.

Do not use power tools to construct this product.

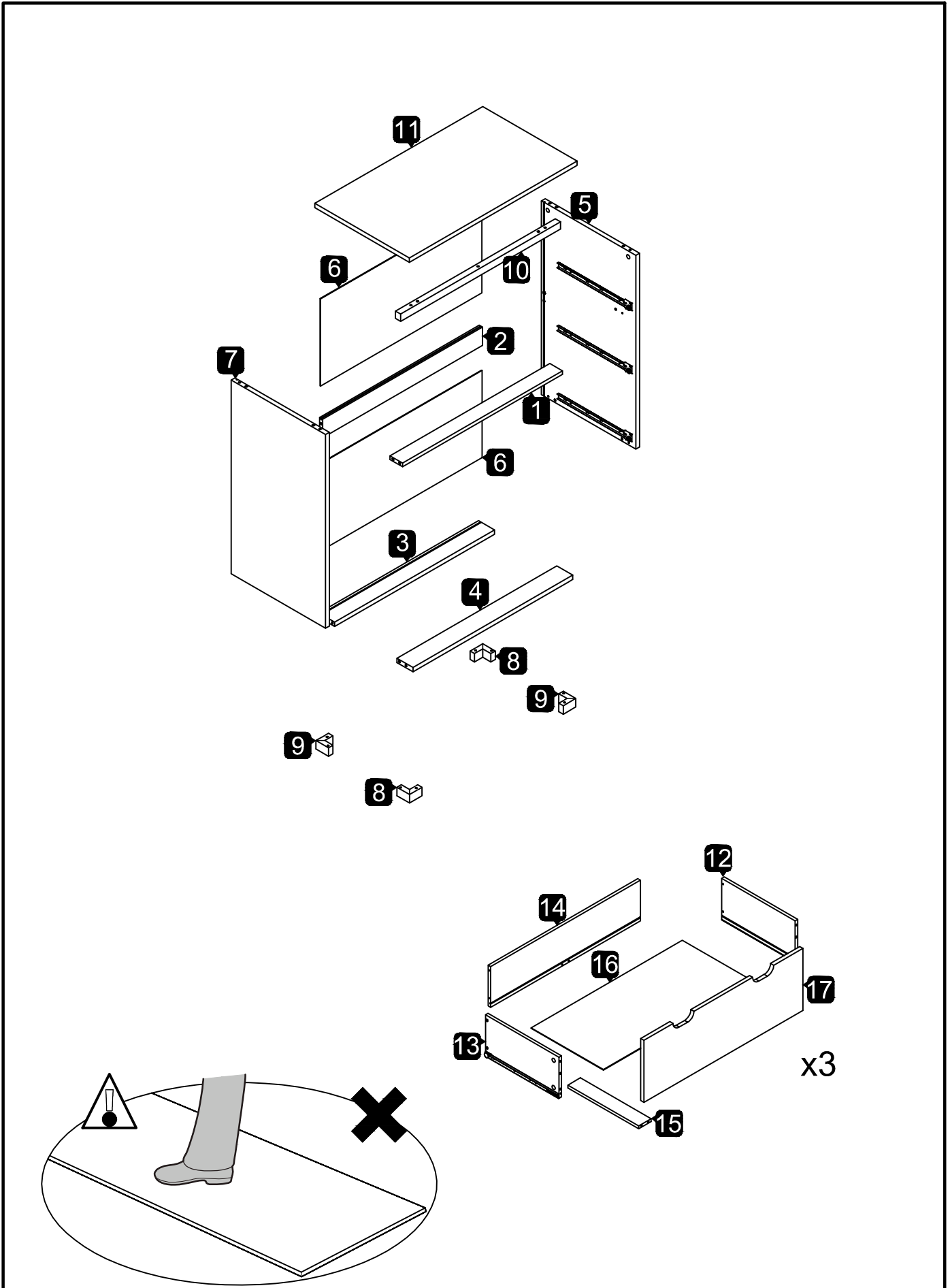
Do not over tighten screws or bolts.

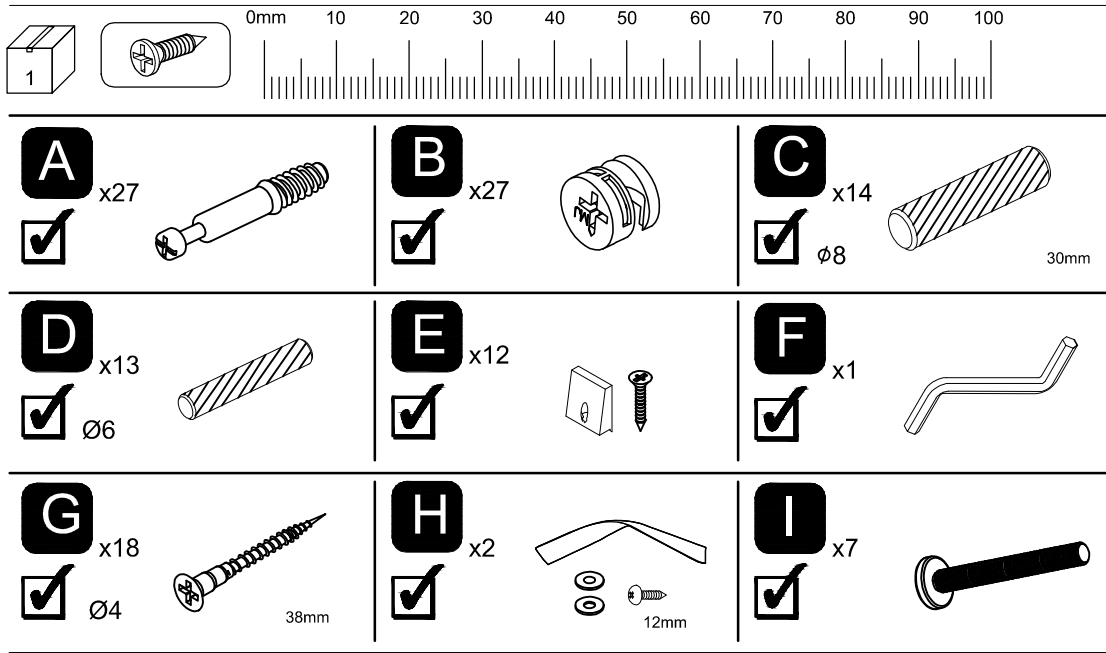
Do not use scourers, abrasives (including washing powders), bleach or solvent based cleaners as they can bleach or damage the product

Should your product be faulty or have missing parts then please contact our customer services department who will be happy to assist you, please have your order number or batch code or date stamp ready.

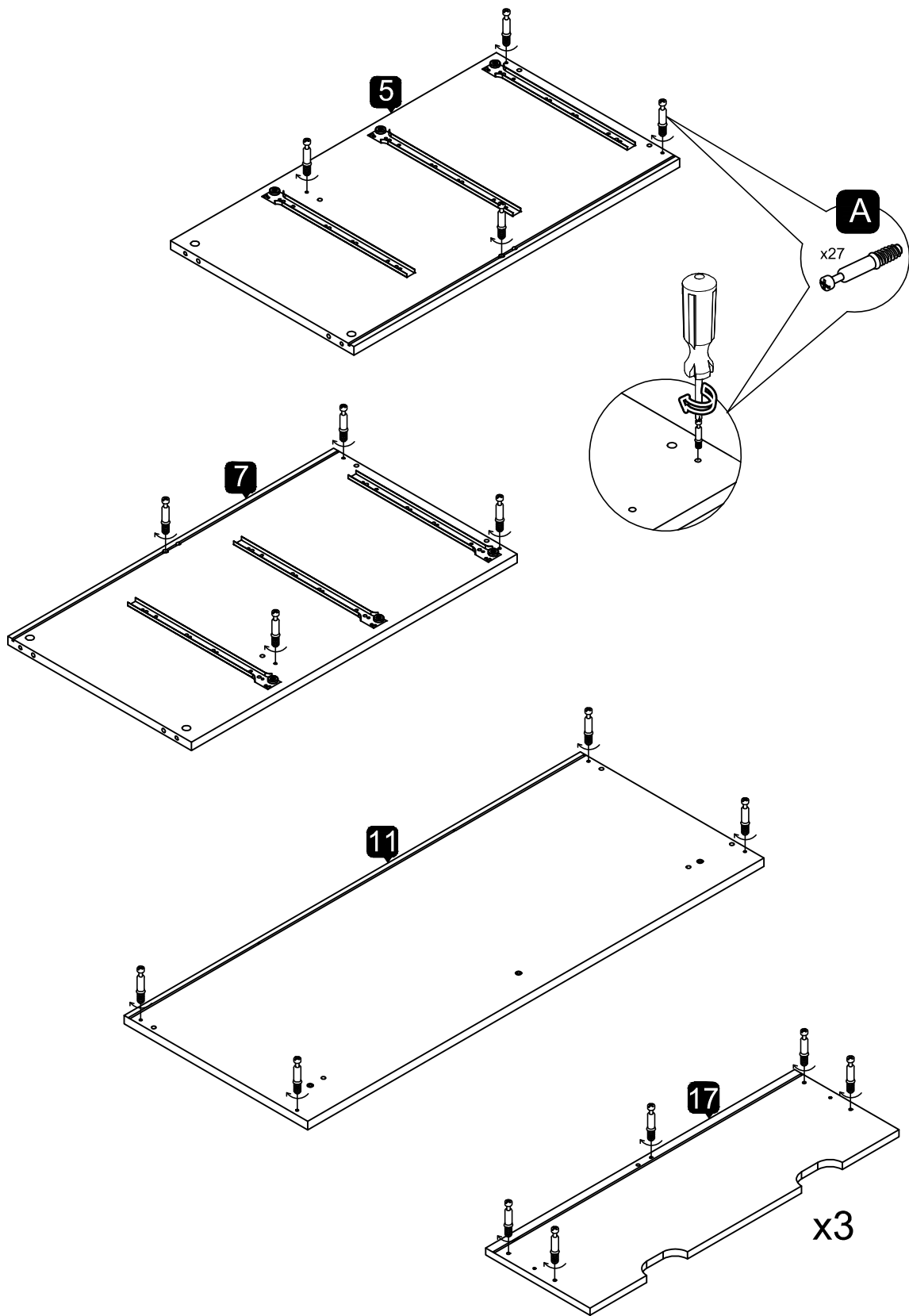


Customer services 0871 984 1924

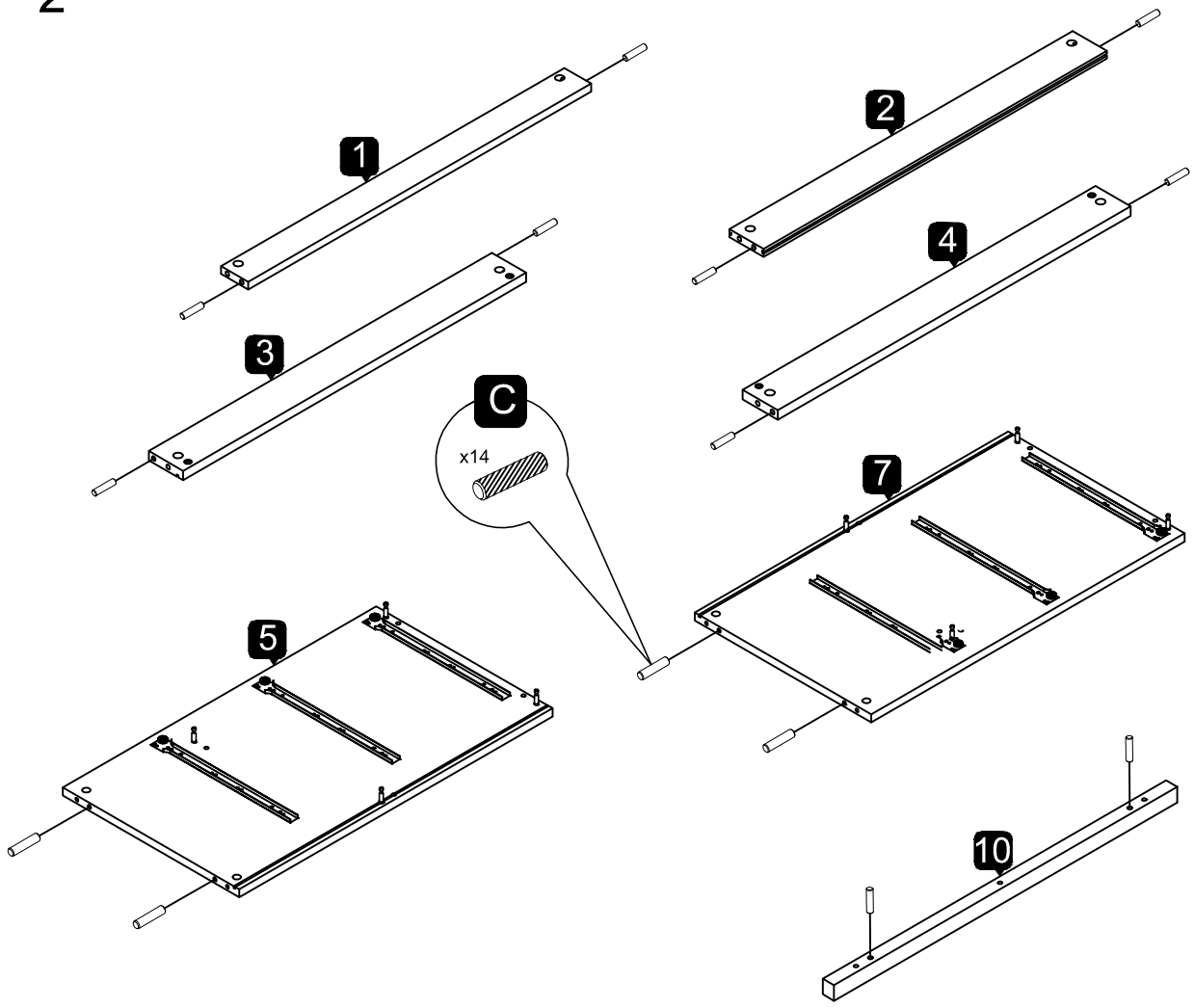




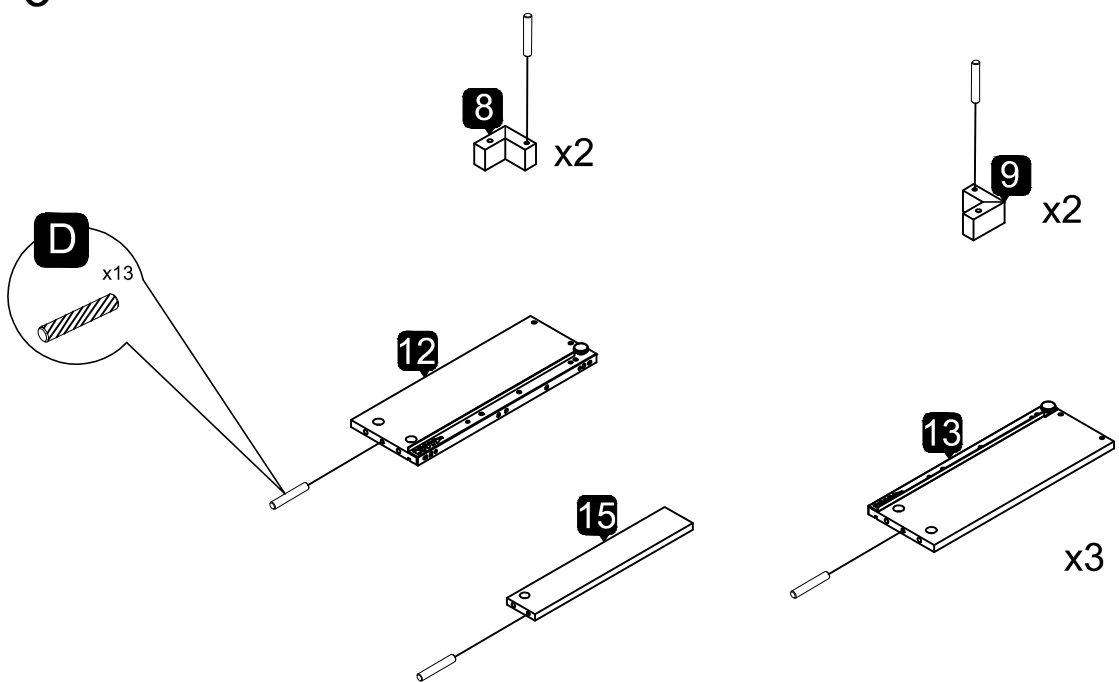
1



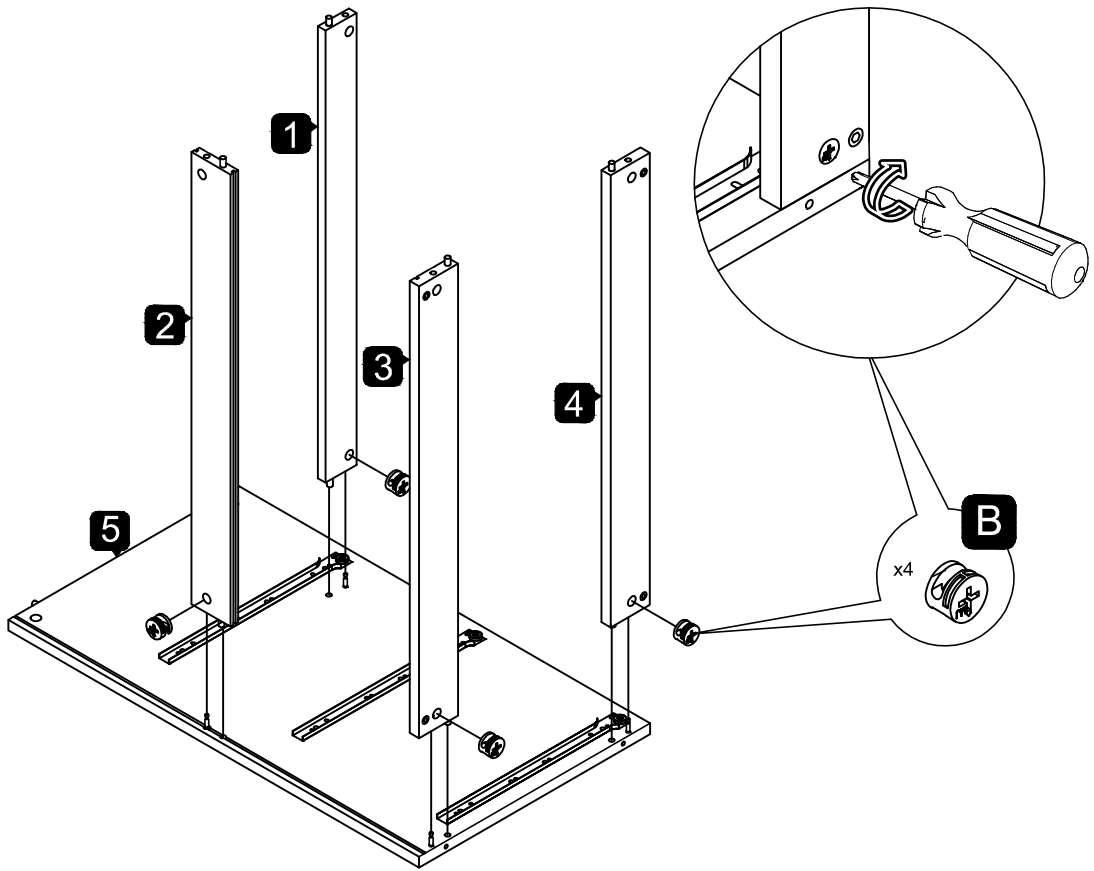
2



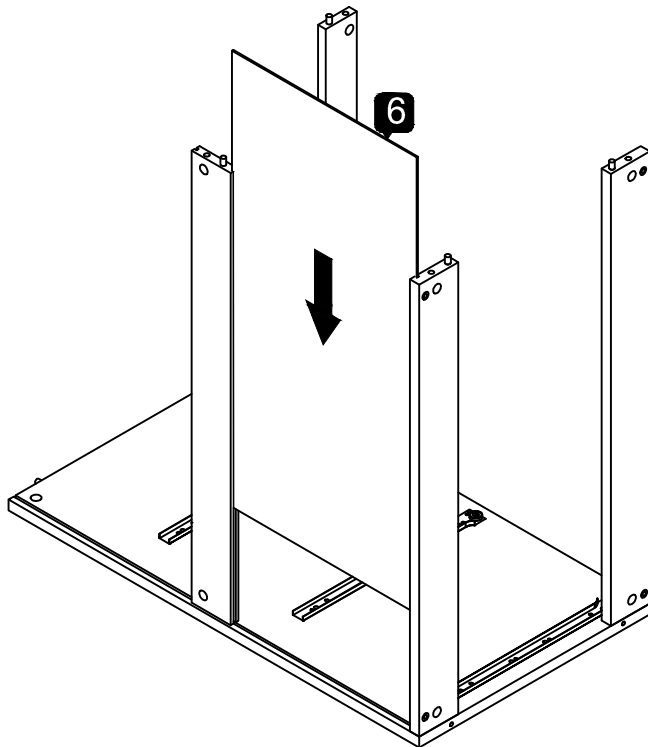
3



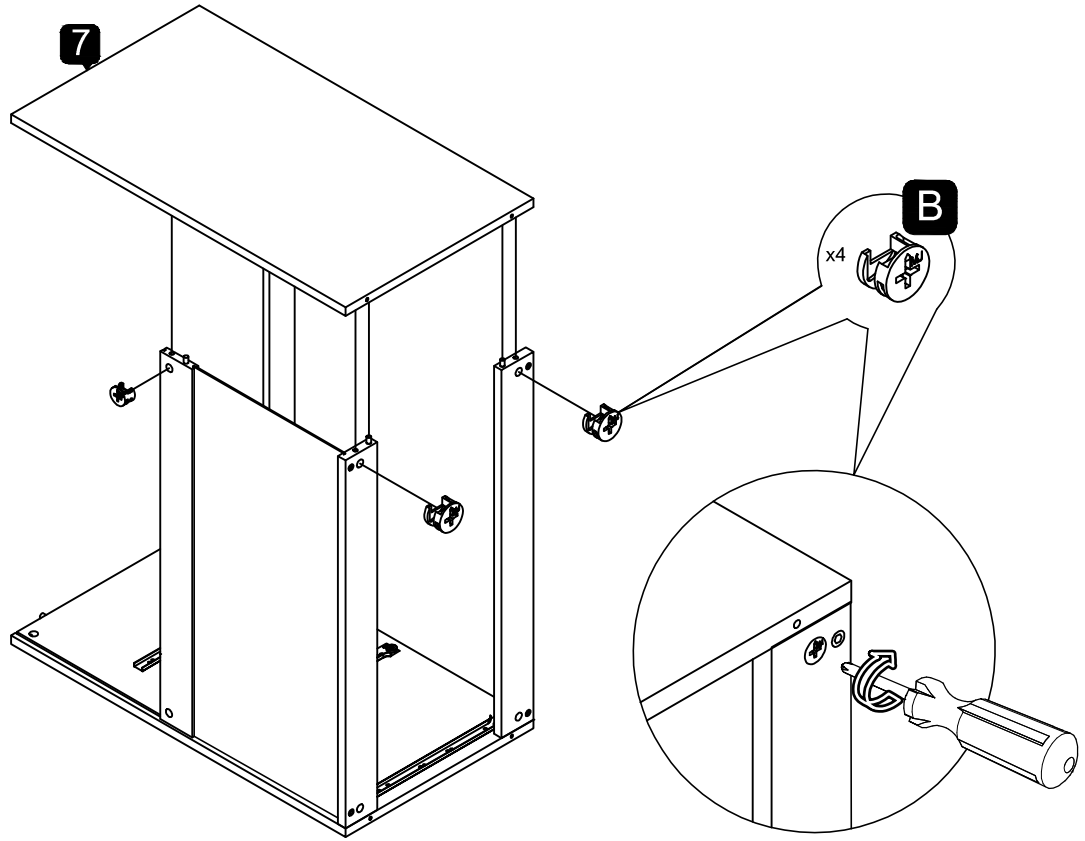
4



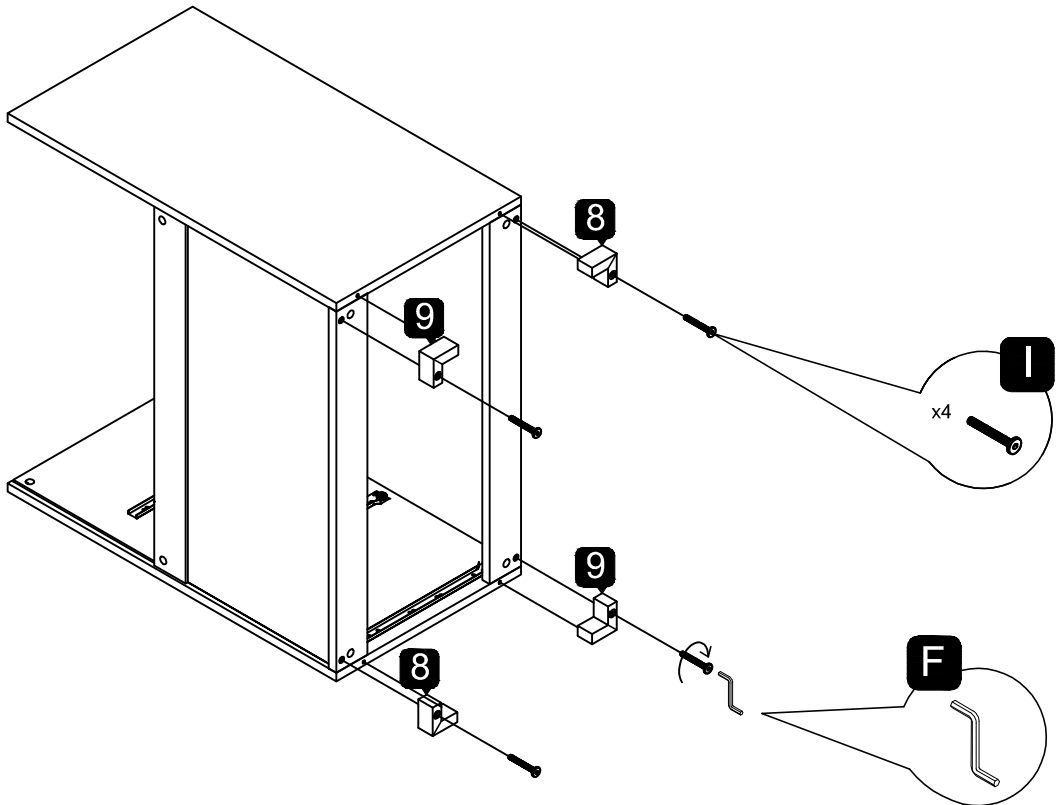
5



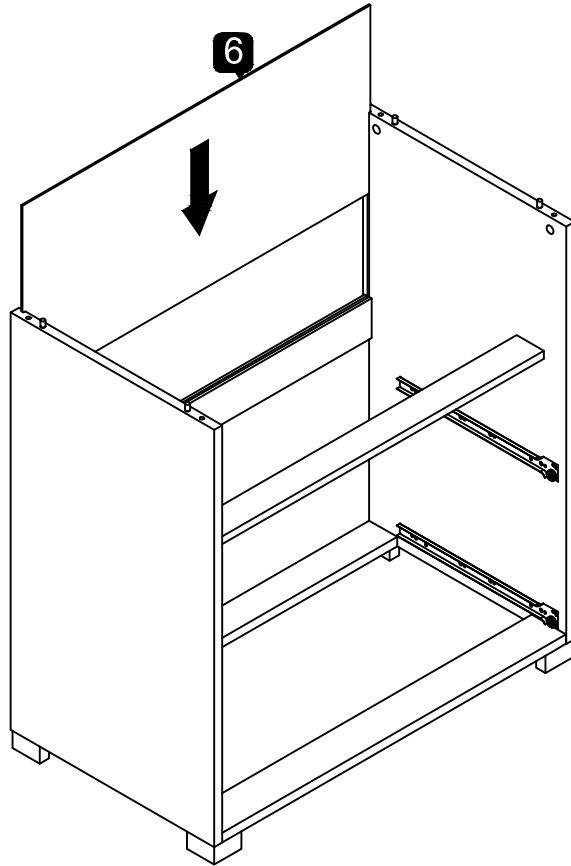
6



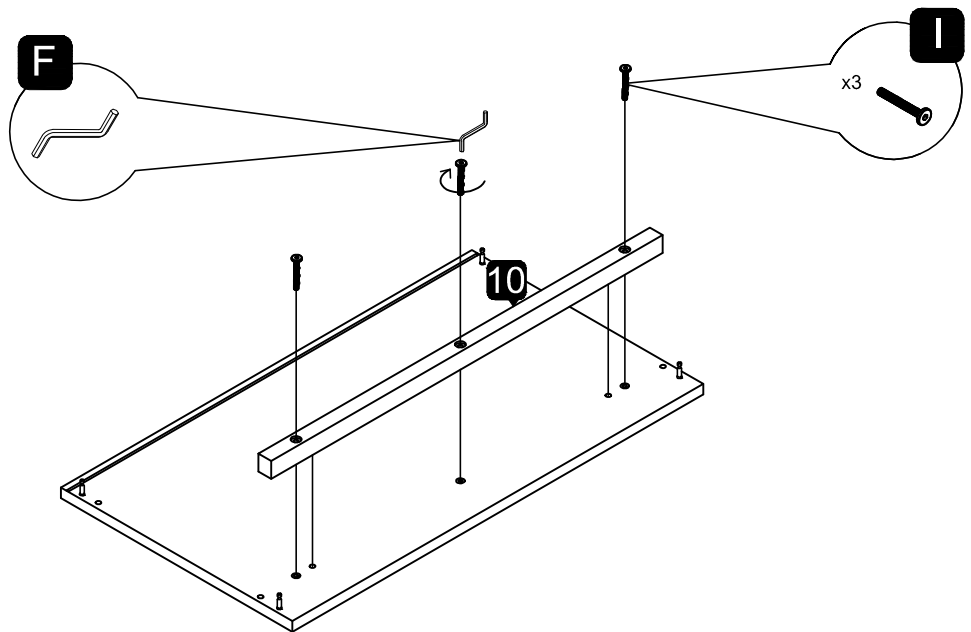
7



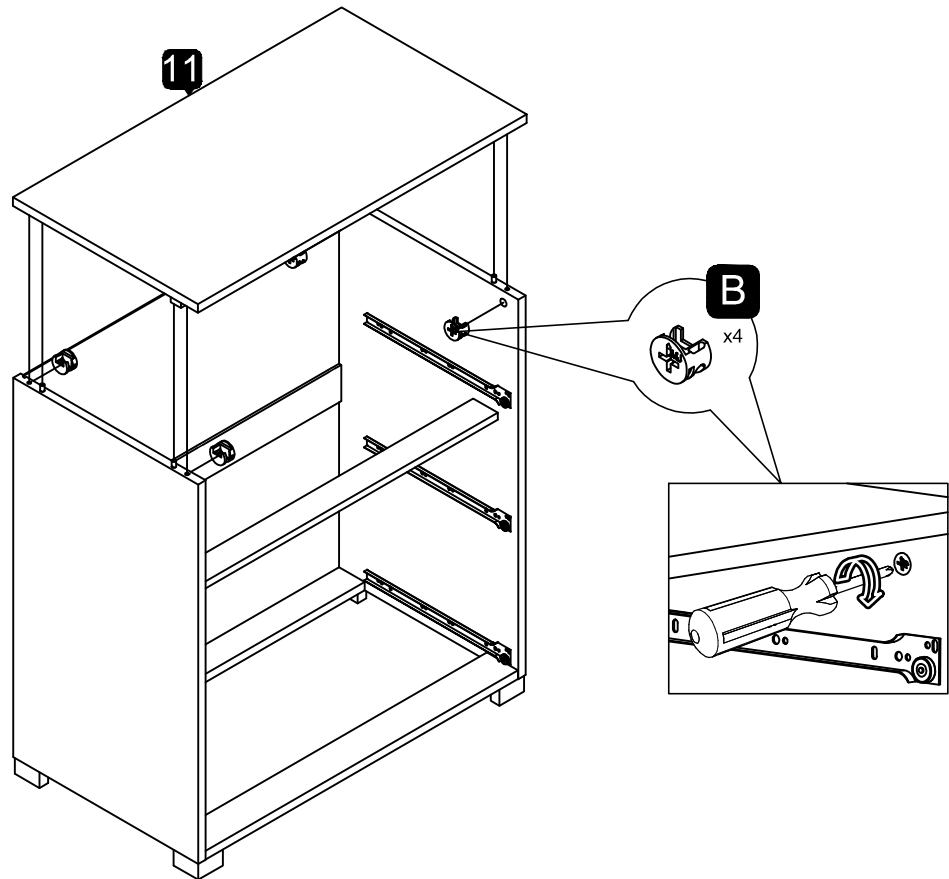
8



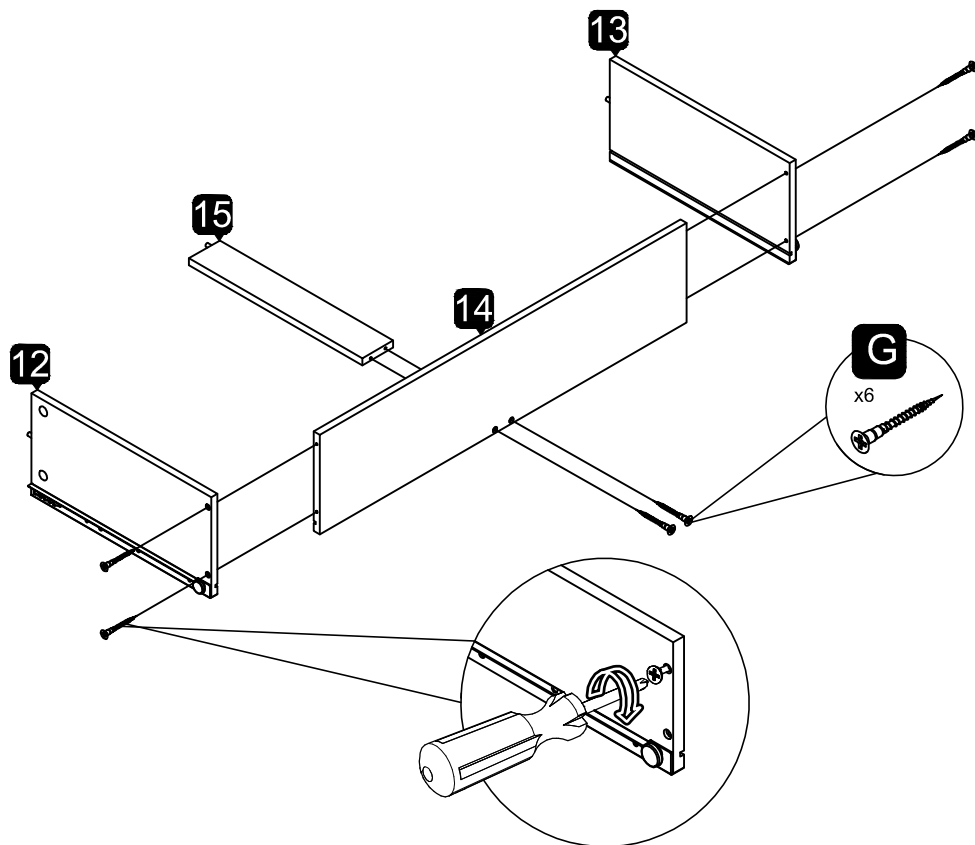
9



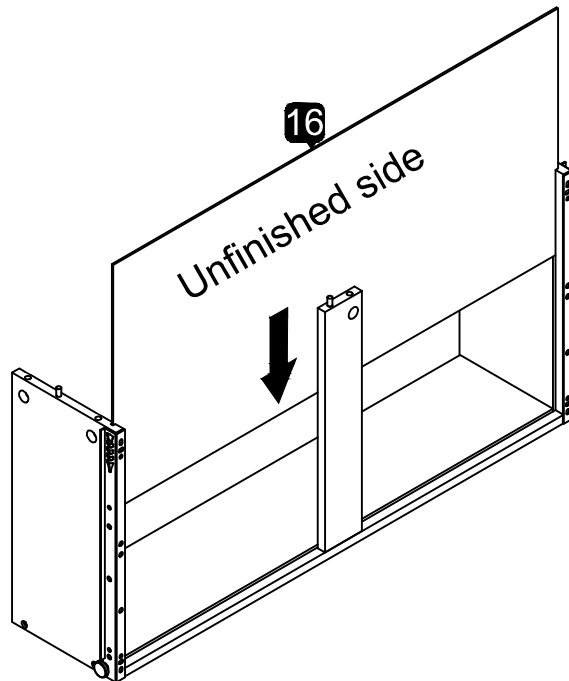
10



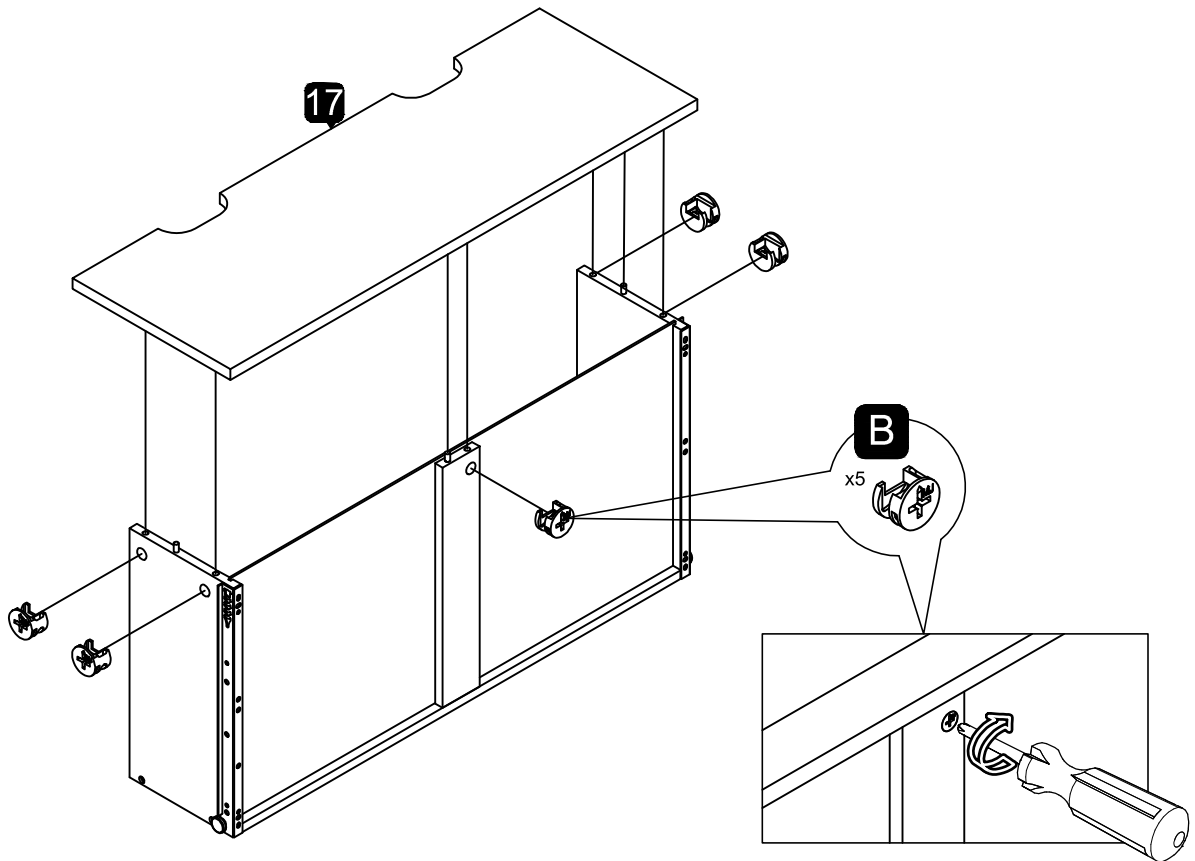
11



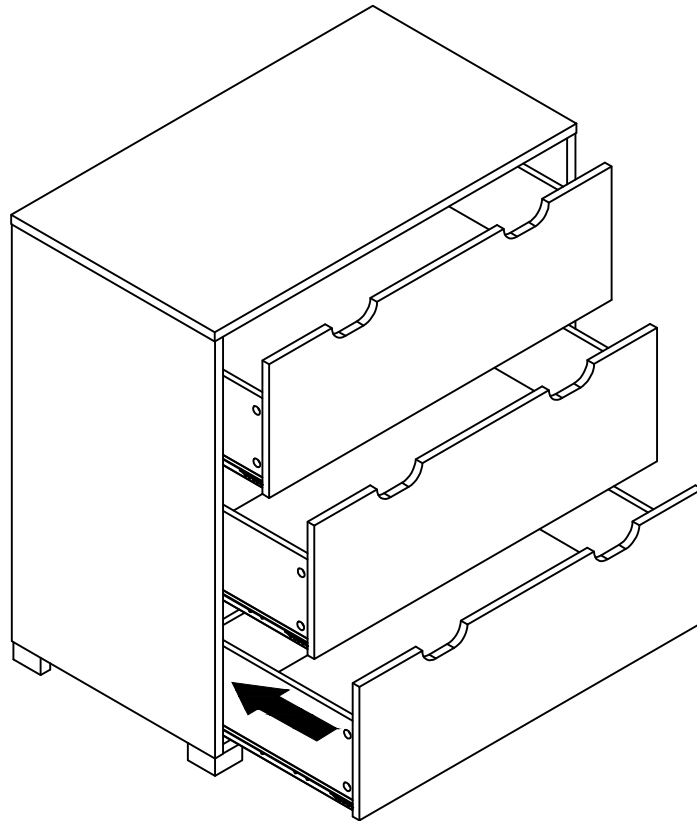
12



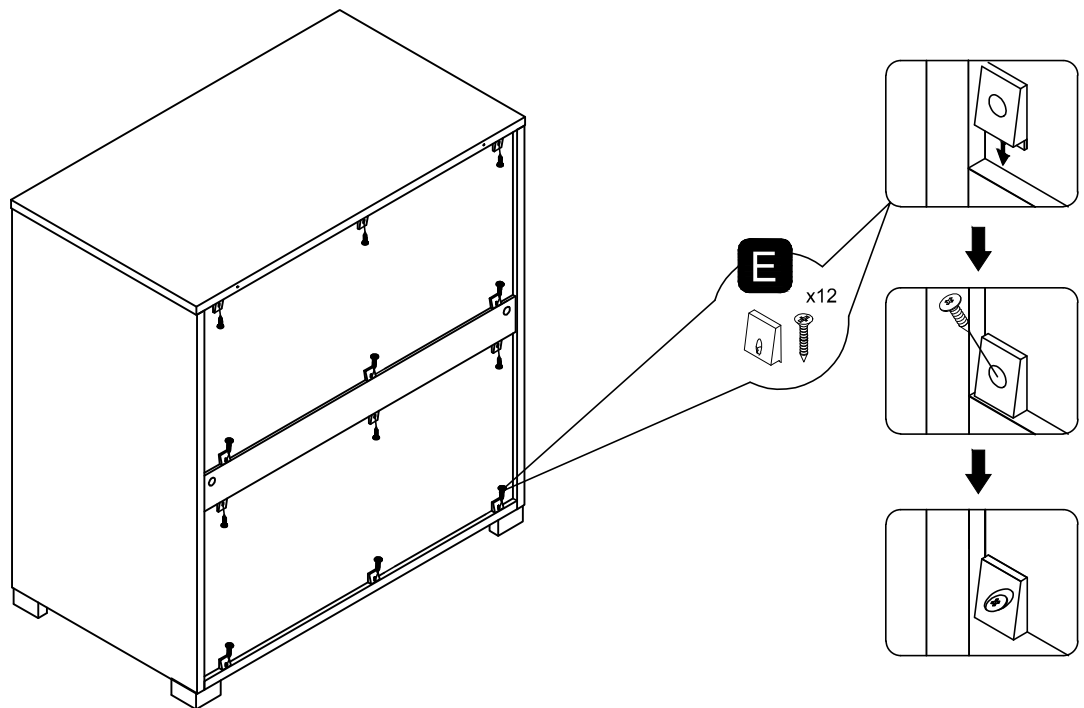
13



14



15



16

NOTE: Wall fixings are not included, Please source suitable wall fixings for your wall type.
If in doubt consult a qualified trades person.

WARNING: Always ensure the area to be drilled is free from hidden electrical wires, water and gas pipes.

