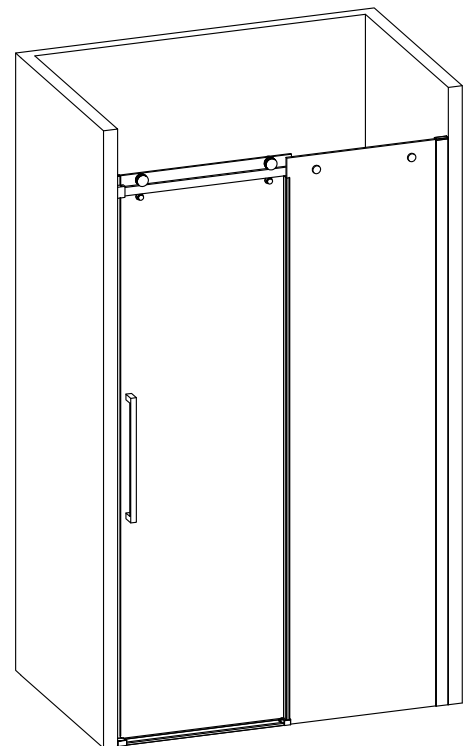
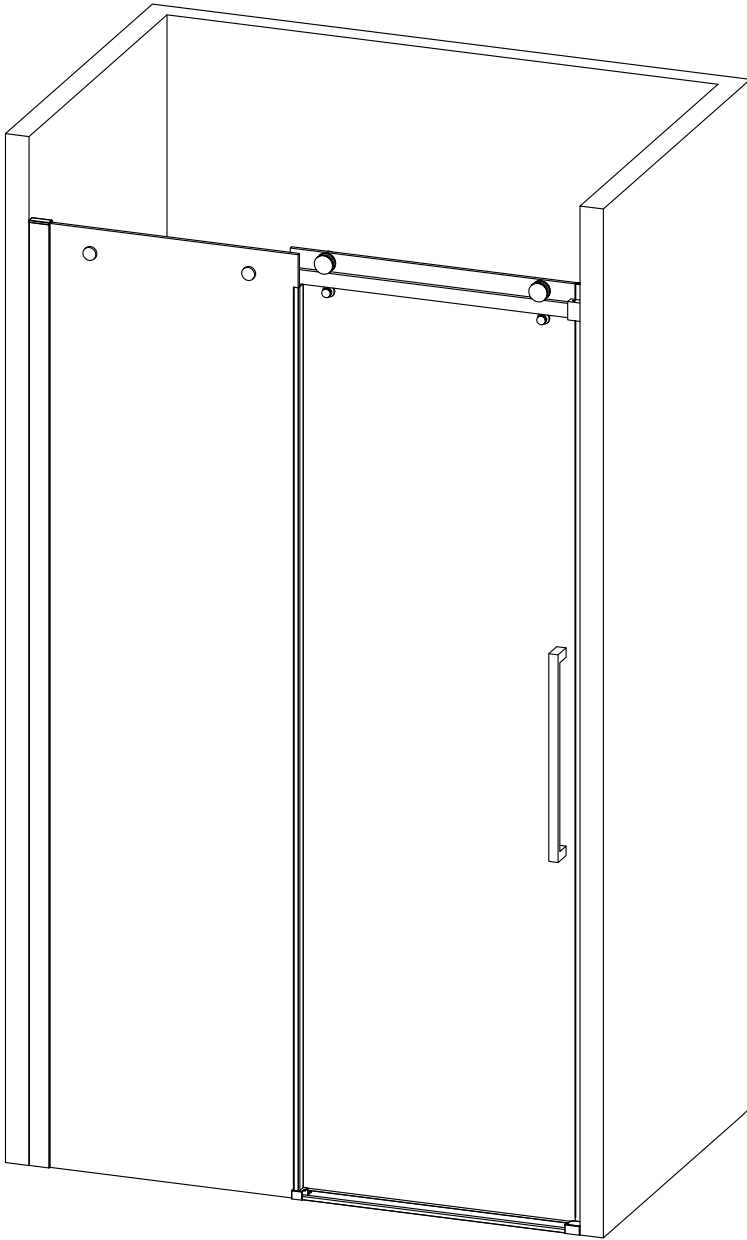
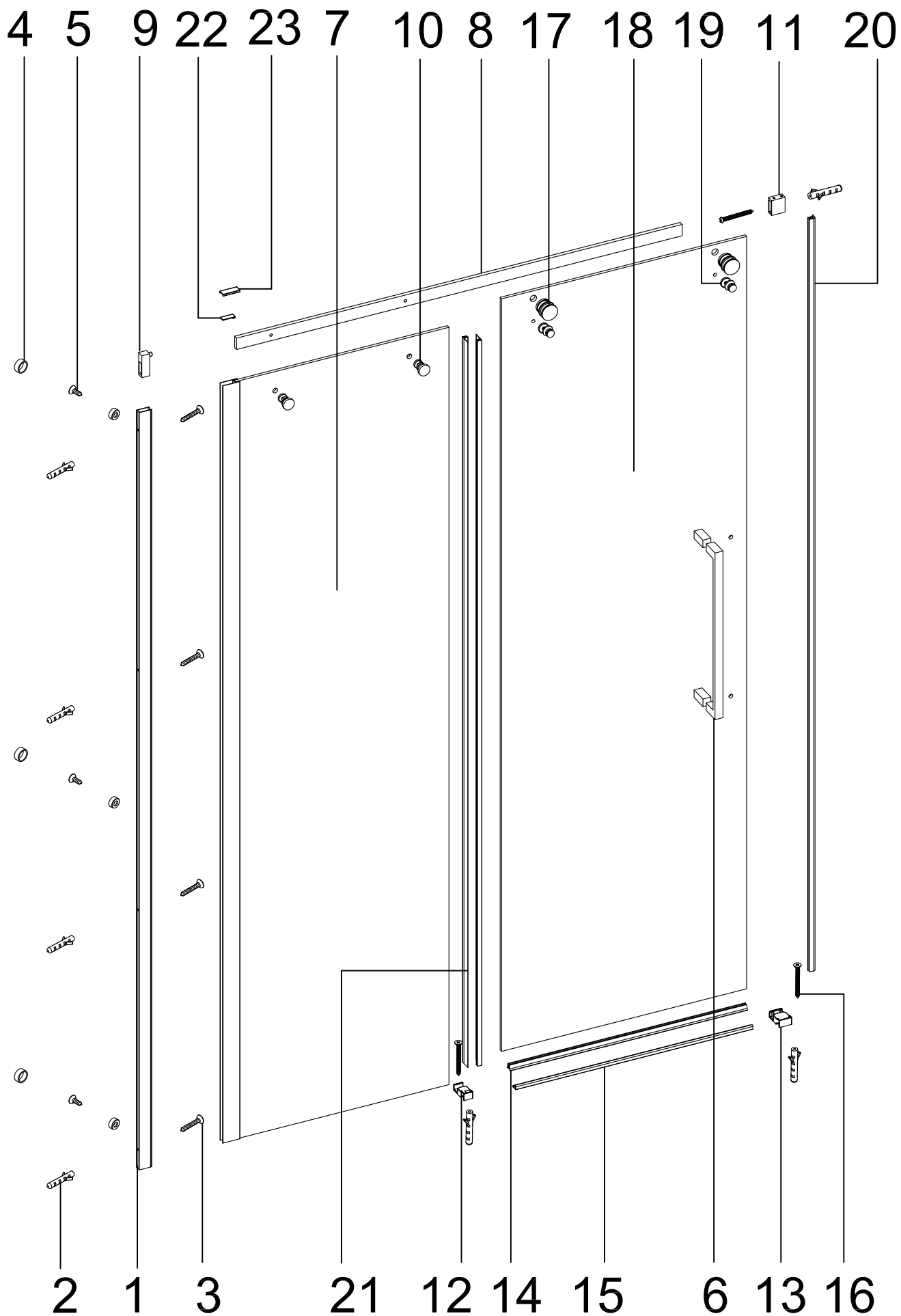
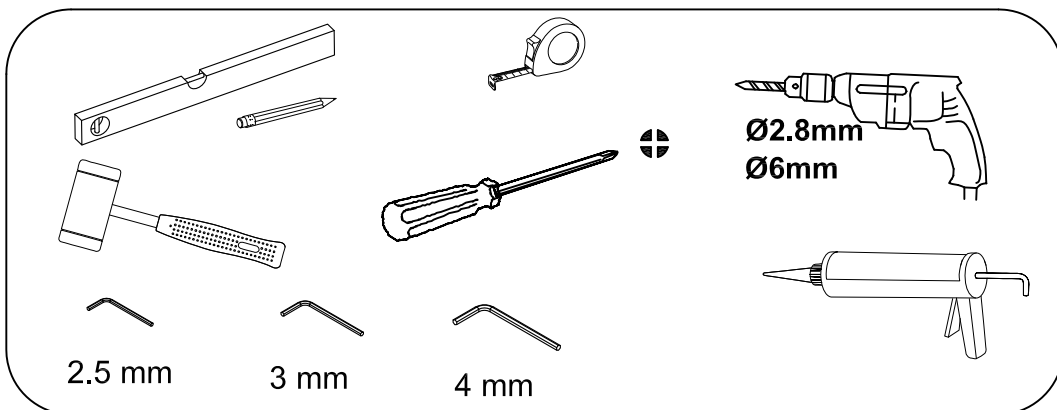
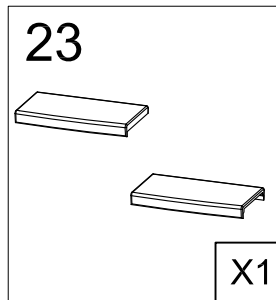
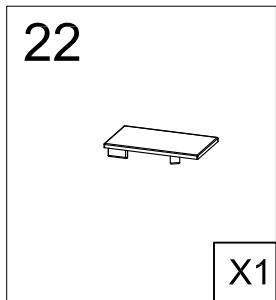
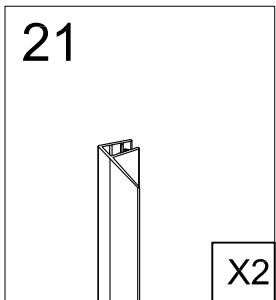
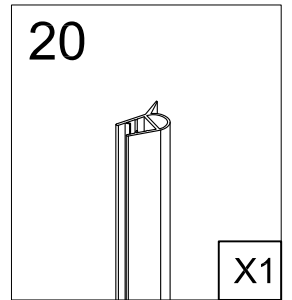
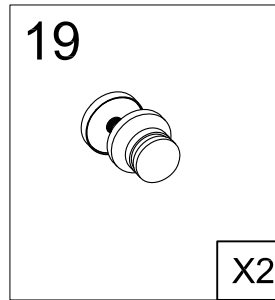
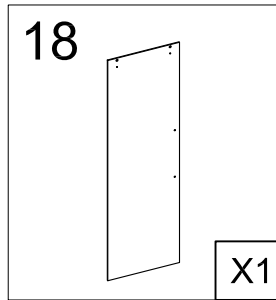
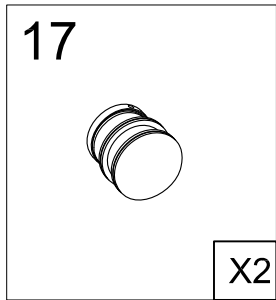
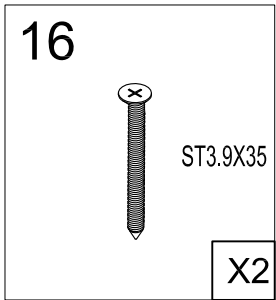
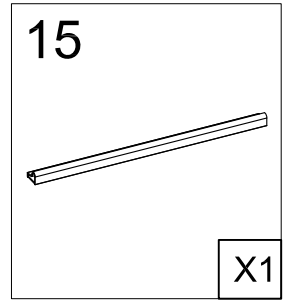
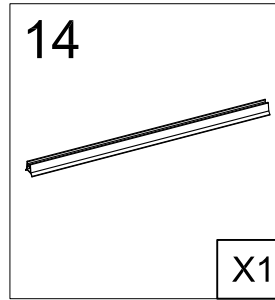
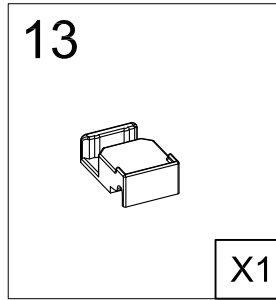
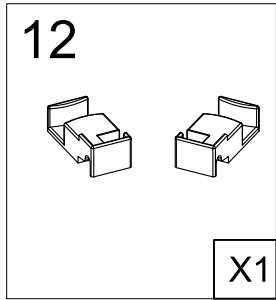
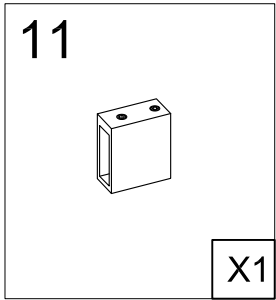
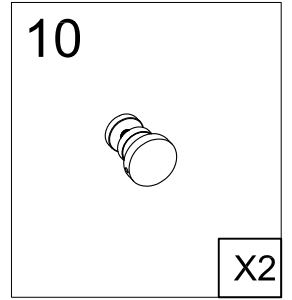
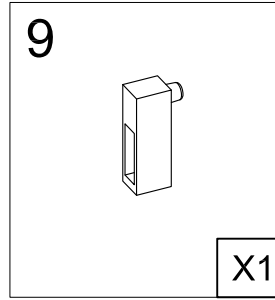
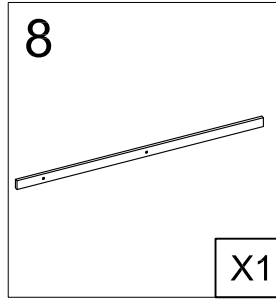
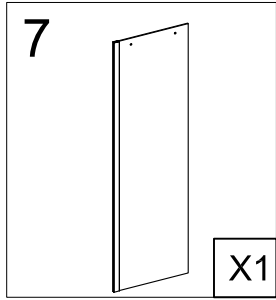
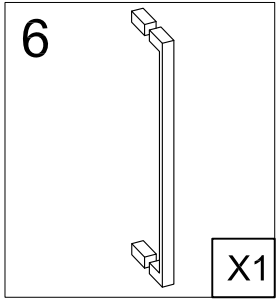
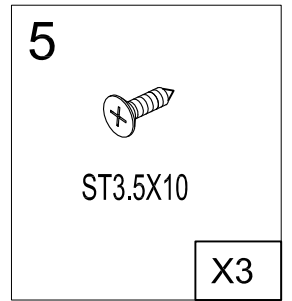
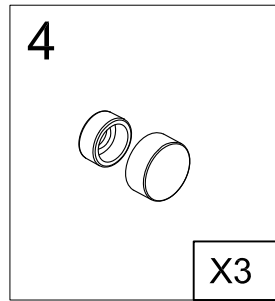
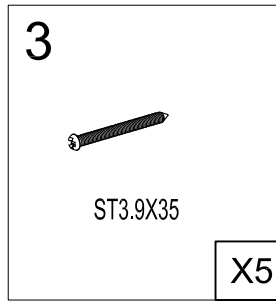
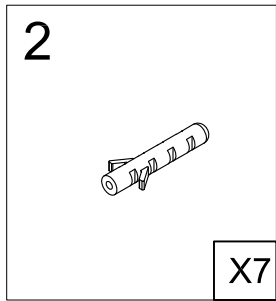
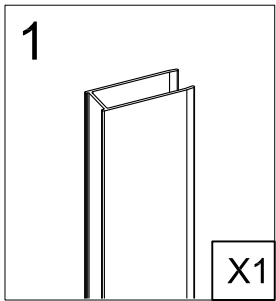
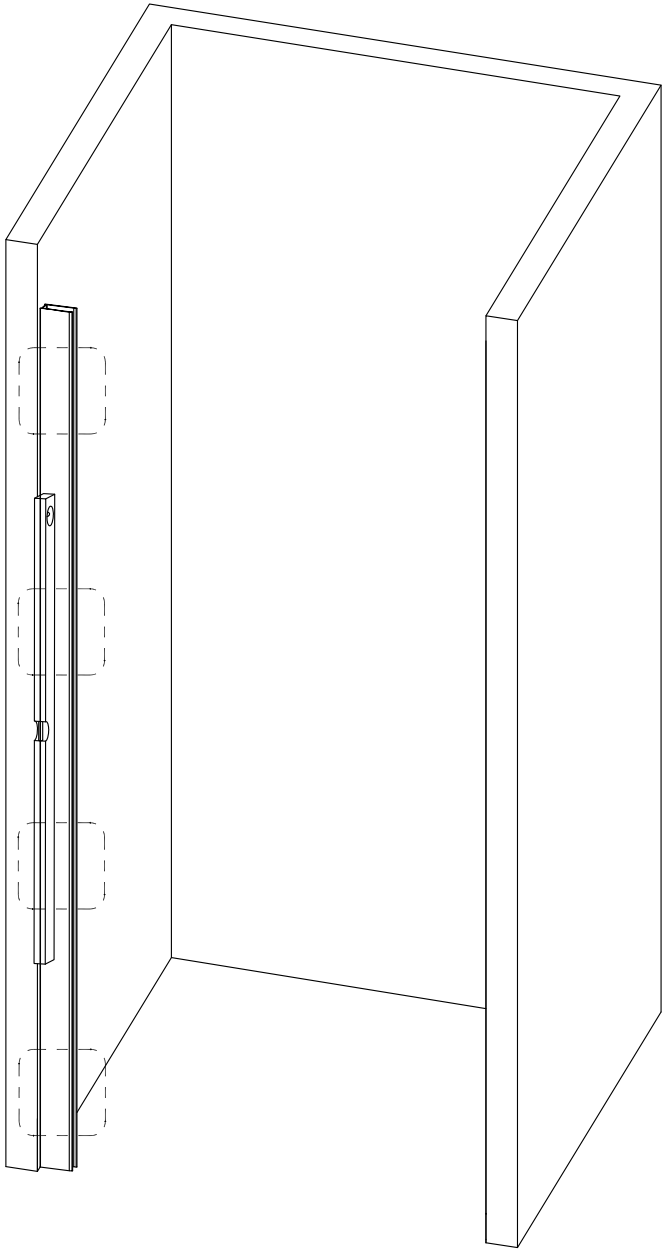
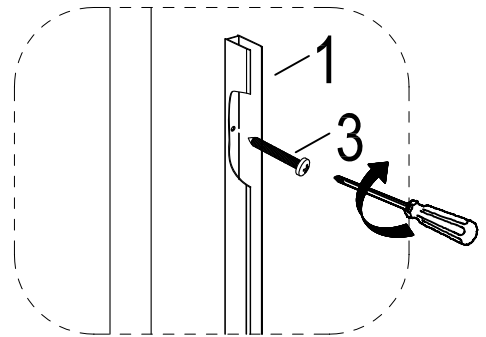
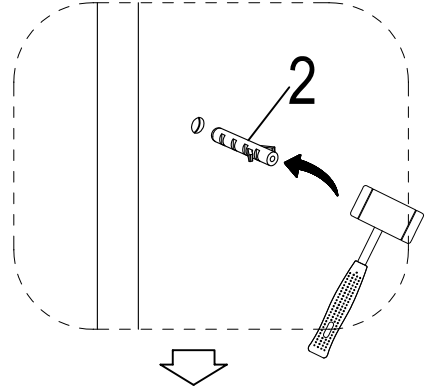
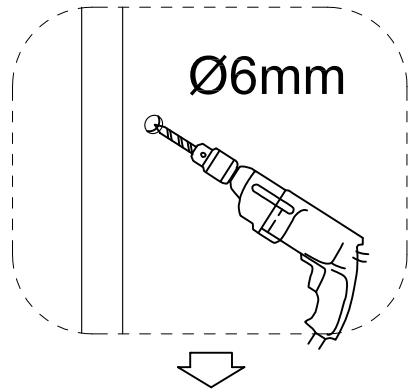
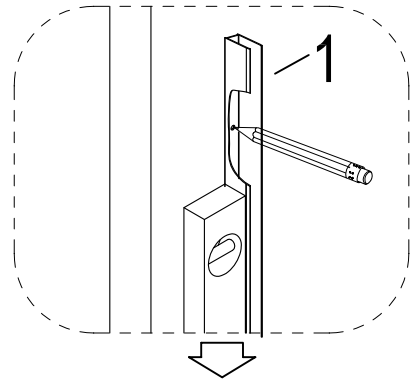
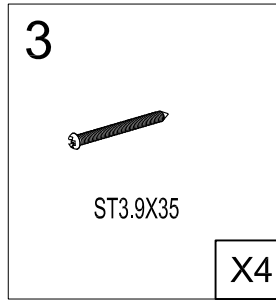
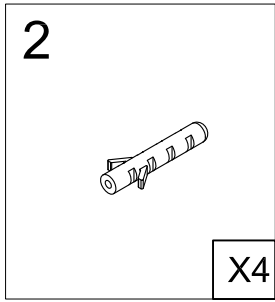
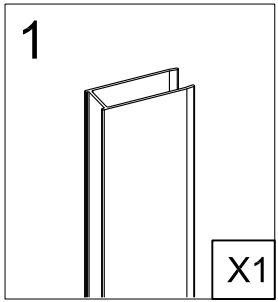
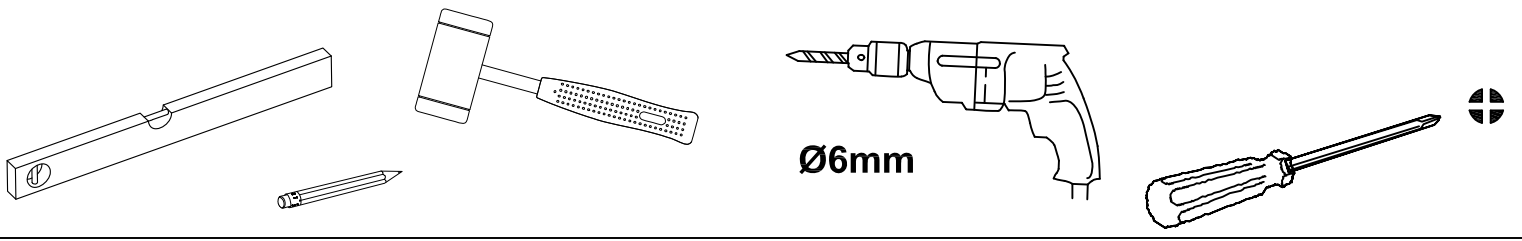


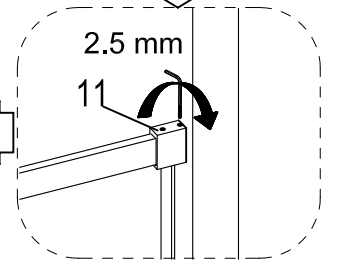
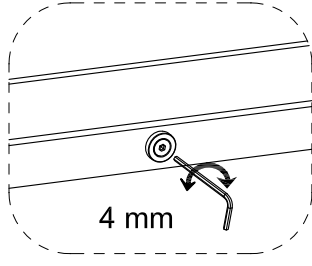
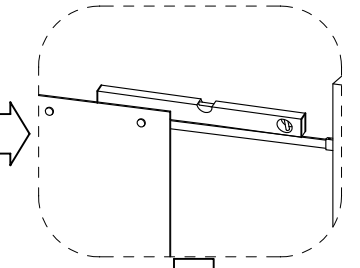
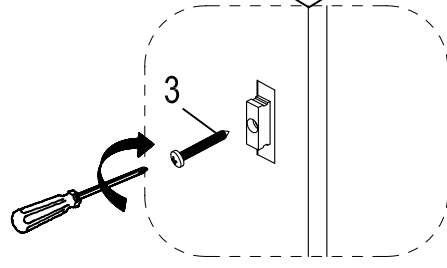
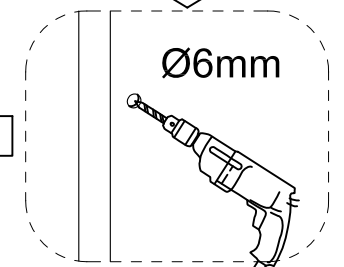
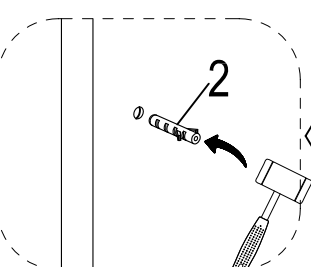
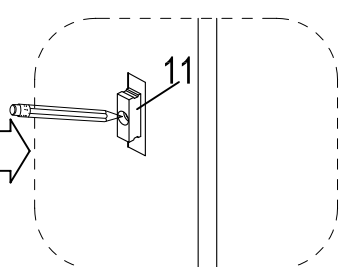
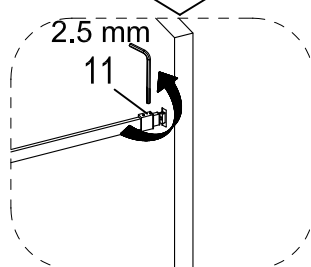
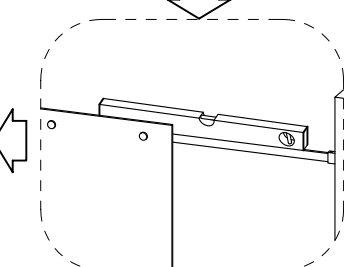
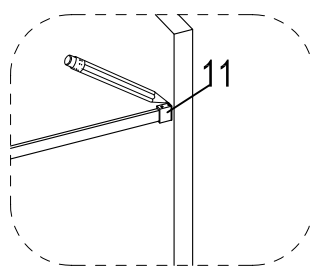
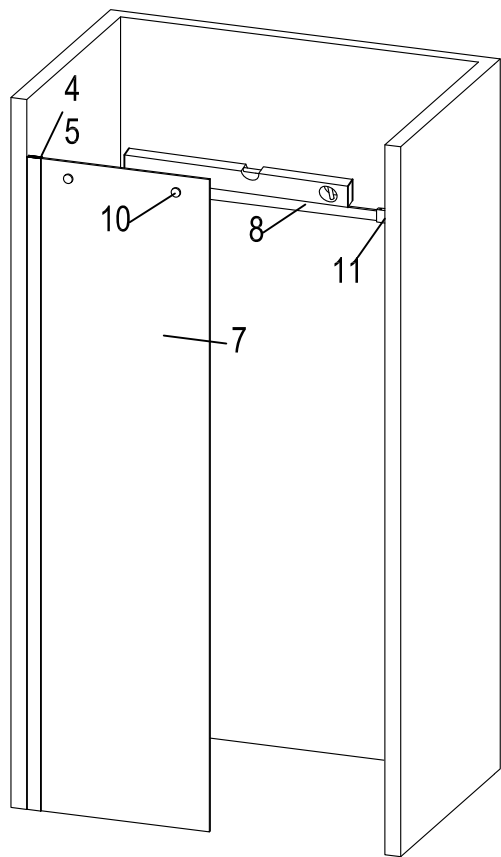
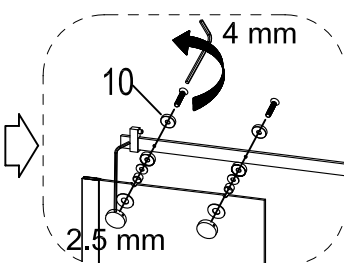
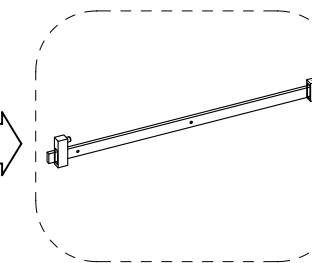
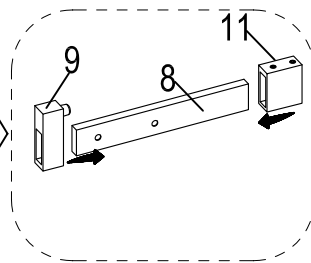
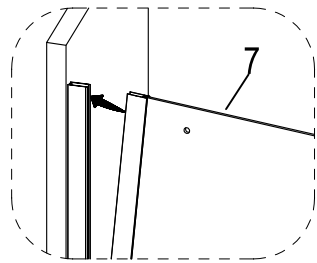
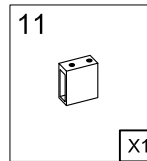
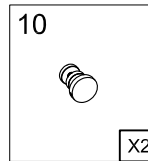
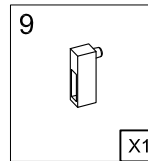
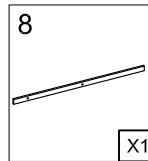
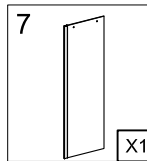
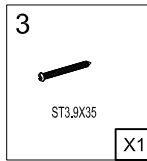
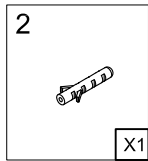
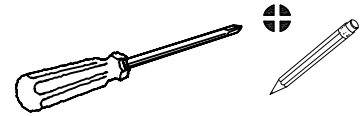
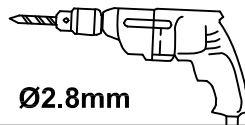
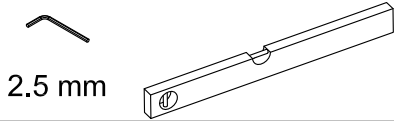
# SEDSD1208

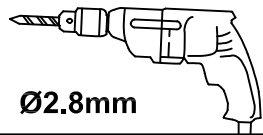




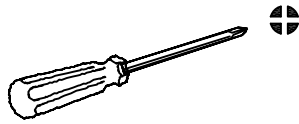




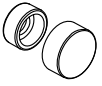




Ø2.8mm



4



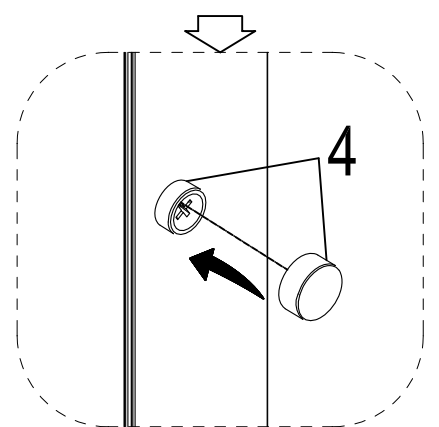
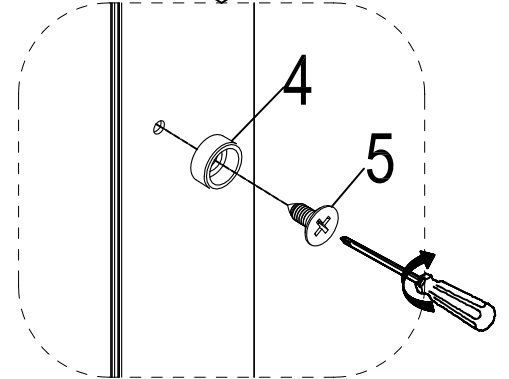
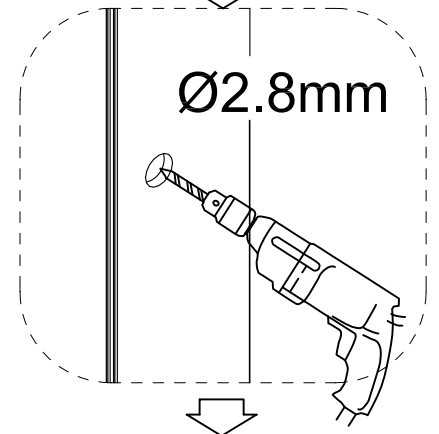
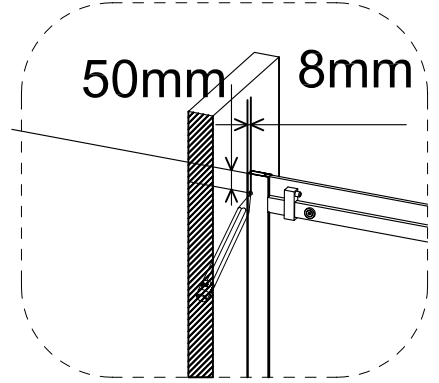
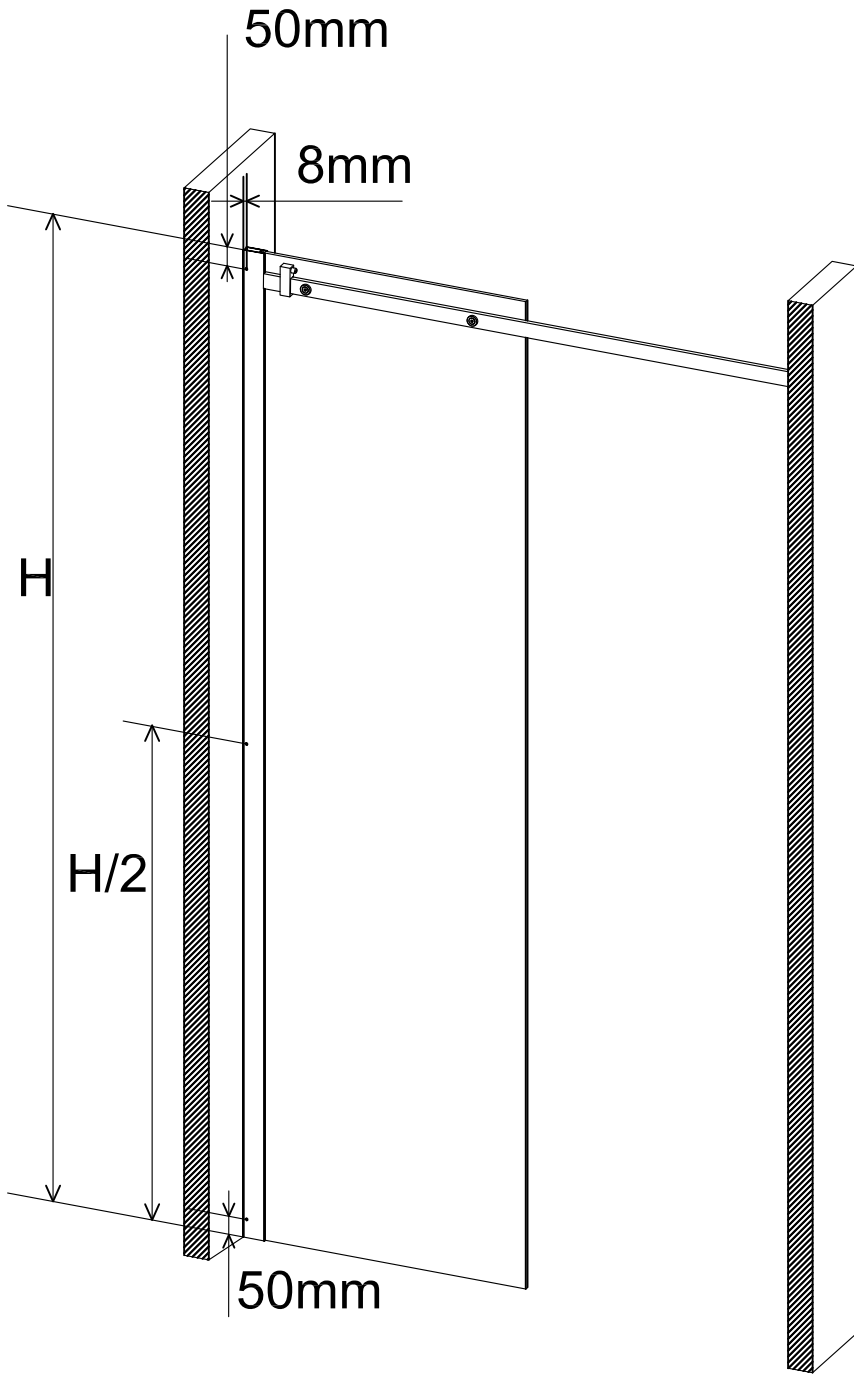
X3

5



ST3.5X10

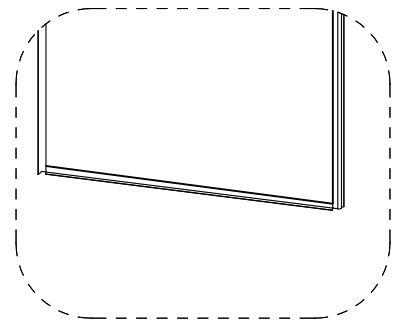
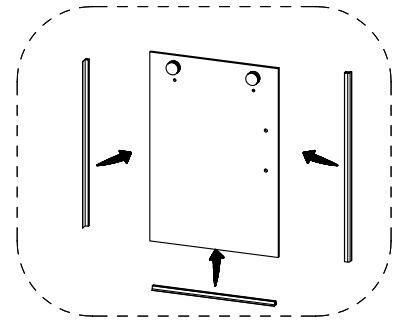
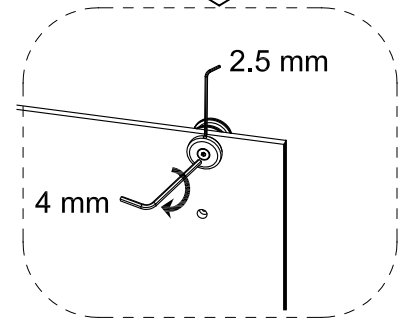
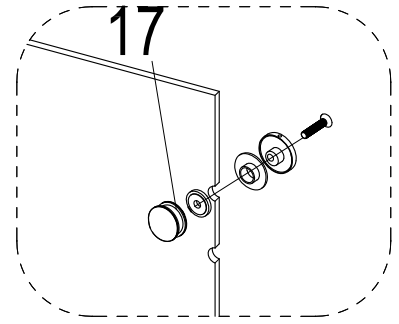
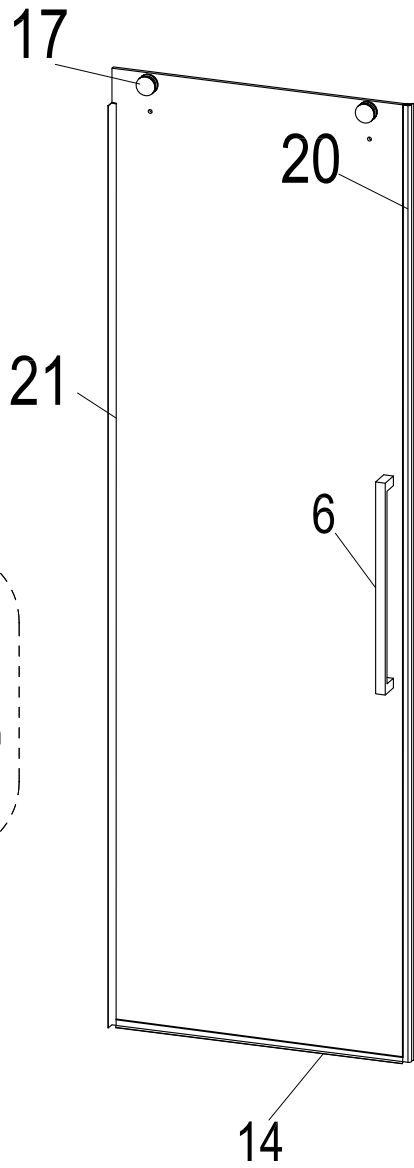
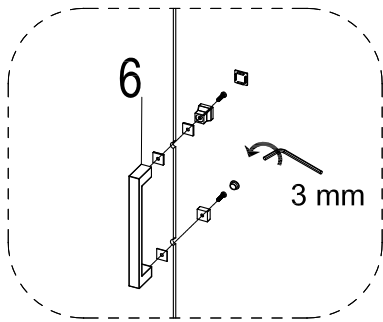
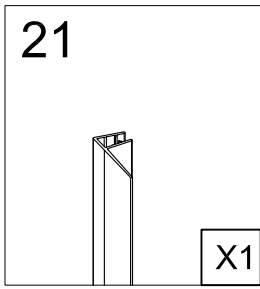
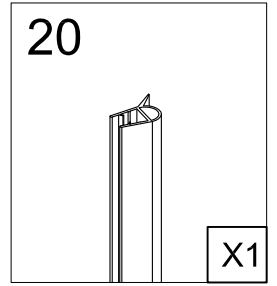
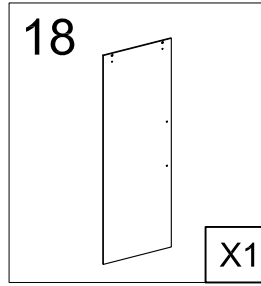
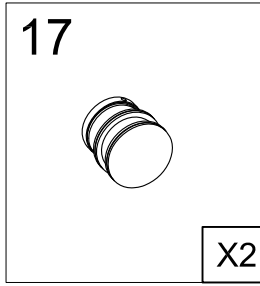
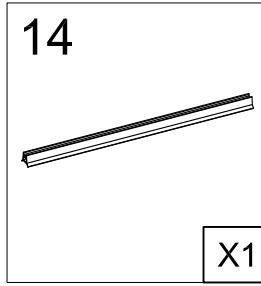
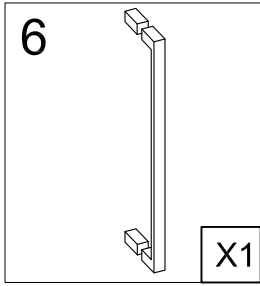
X3

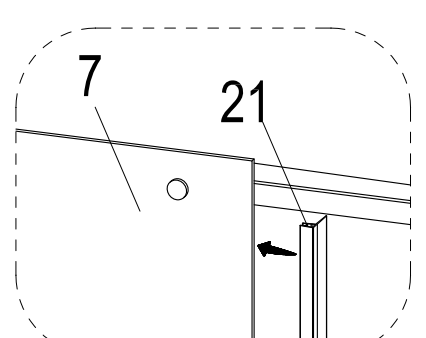
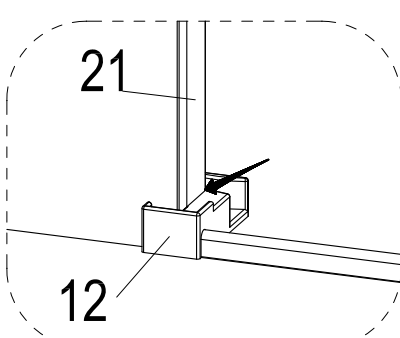
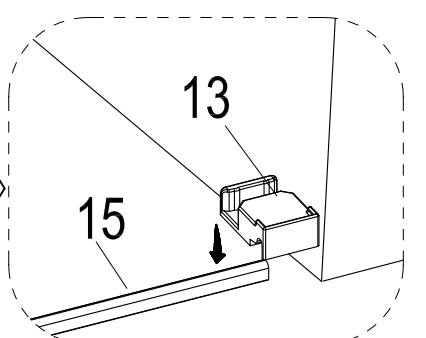
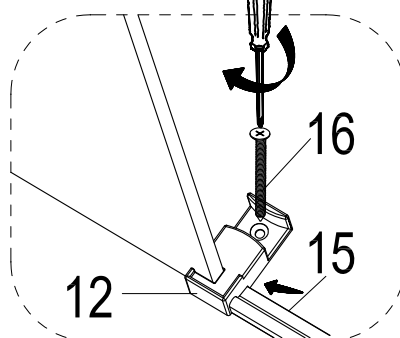
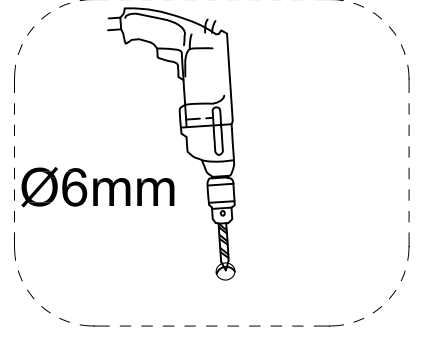
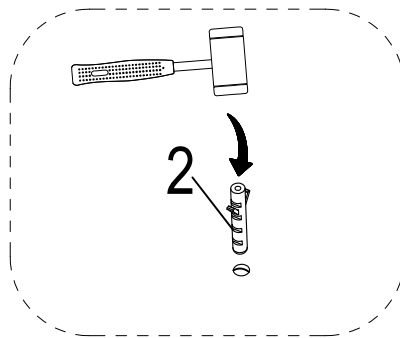
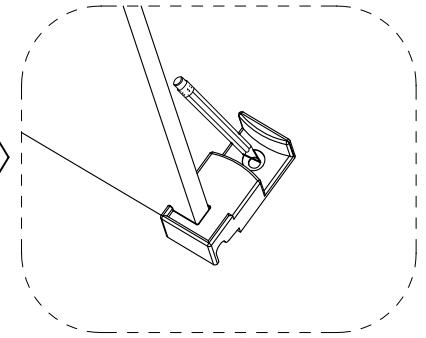
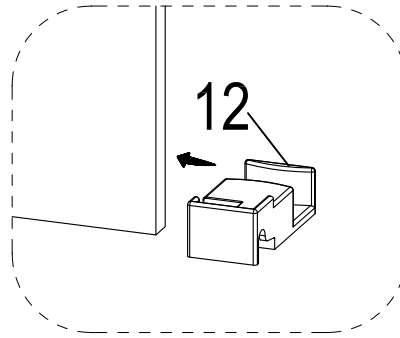
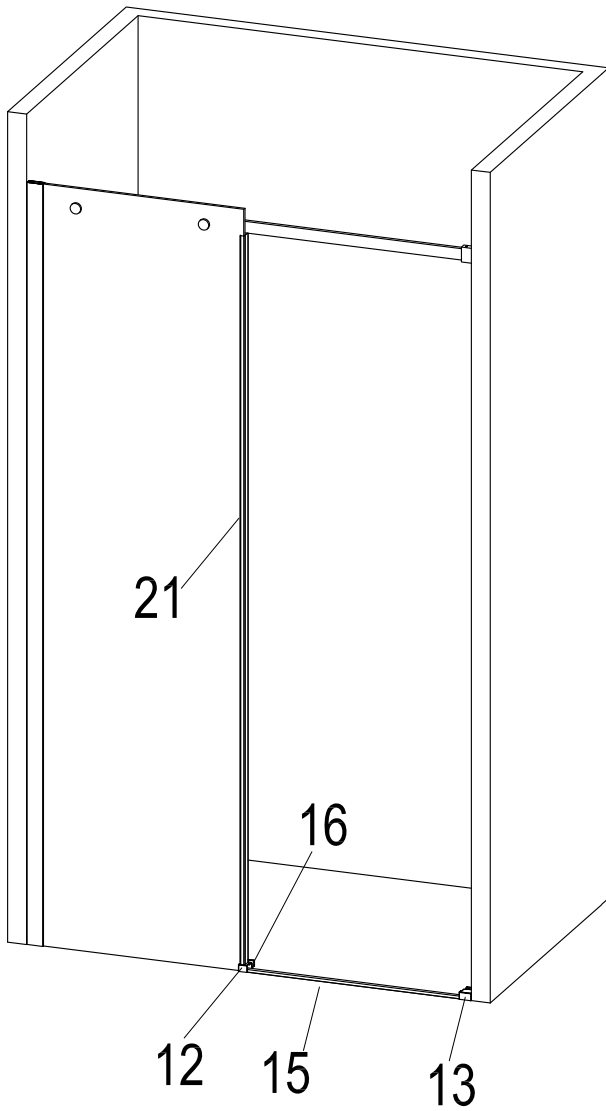
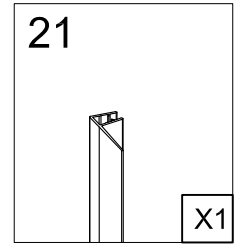
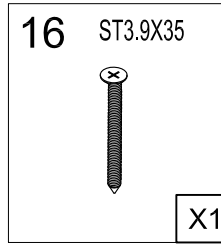
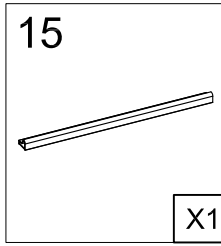
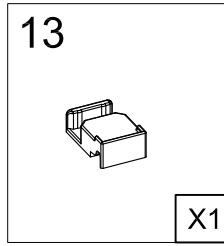
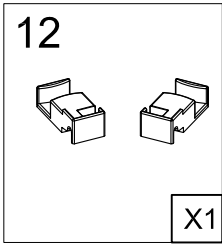
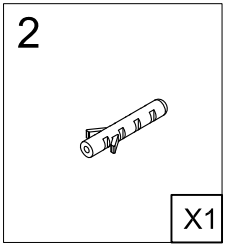
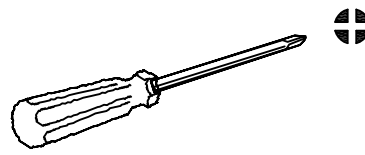
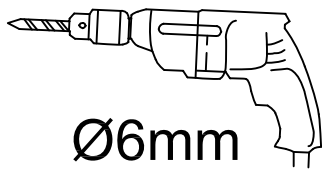


2.5 mm

4 mm

3 mm



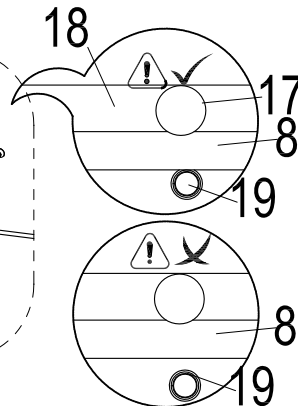
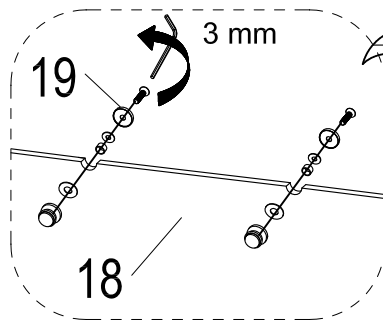
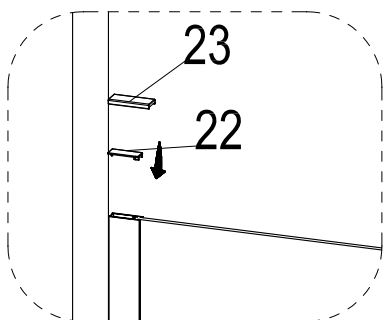
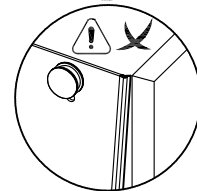
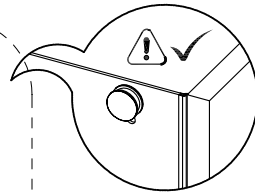
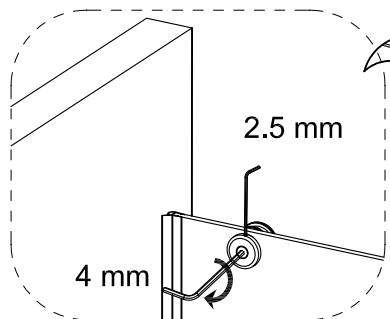
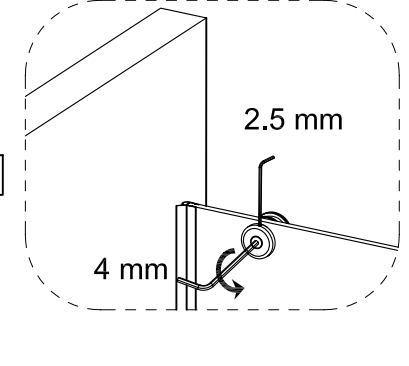
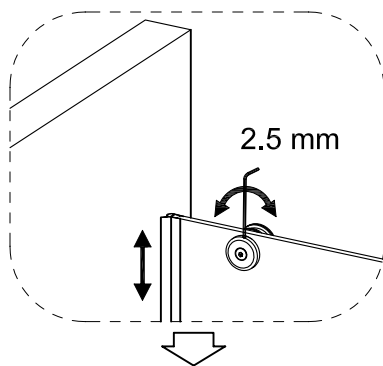
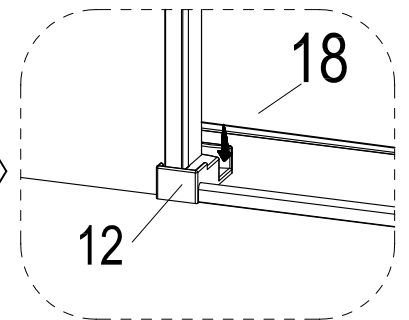
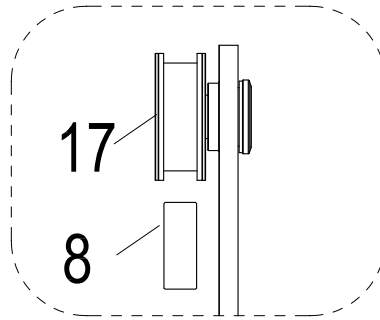
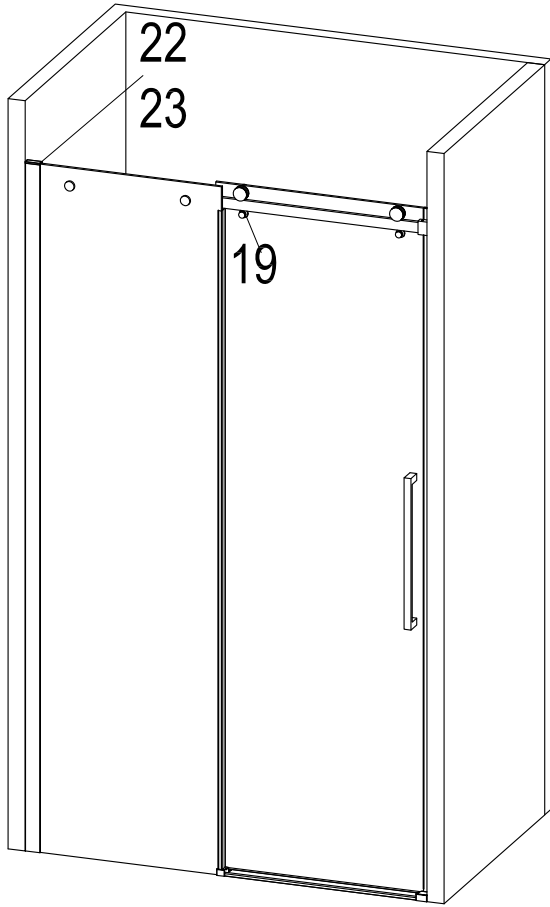
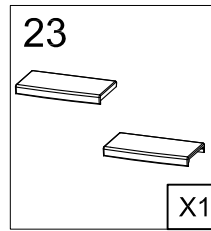
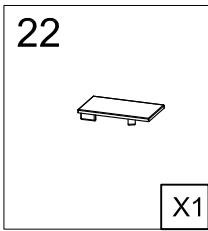
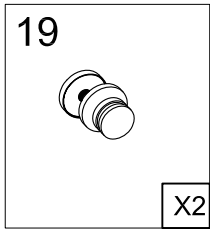




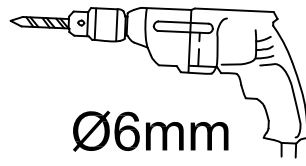
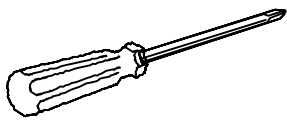
2.5 mm

4 mm

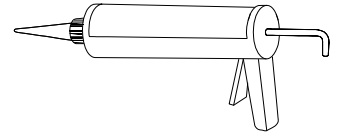
3 mm



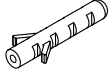
2.5 mm



Ø6mm

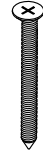


2

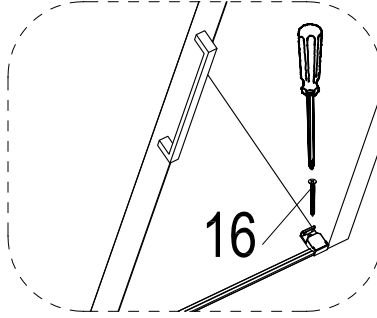
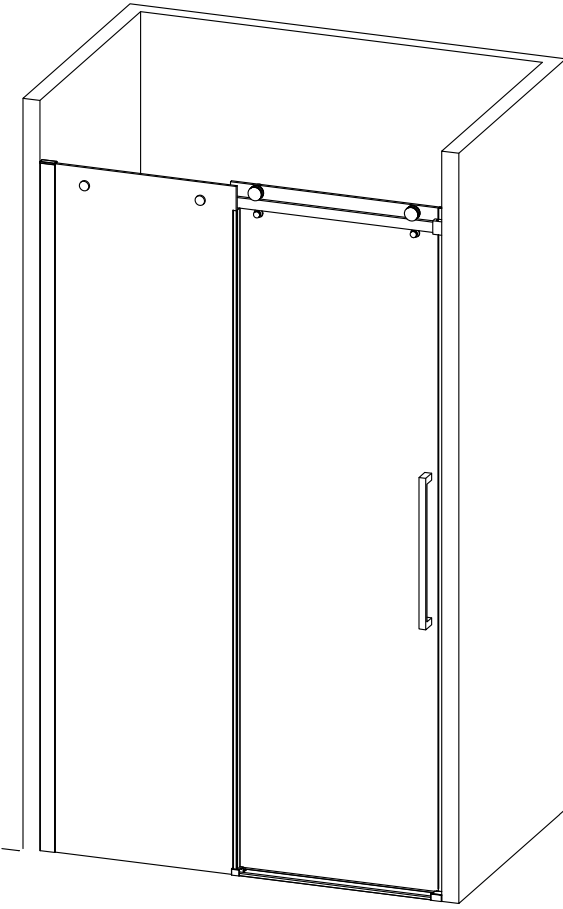
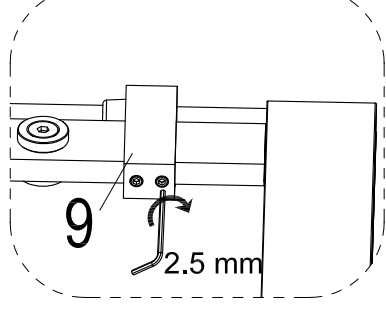
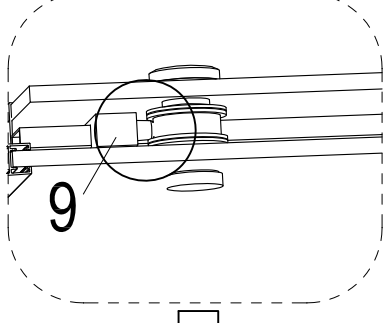
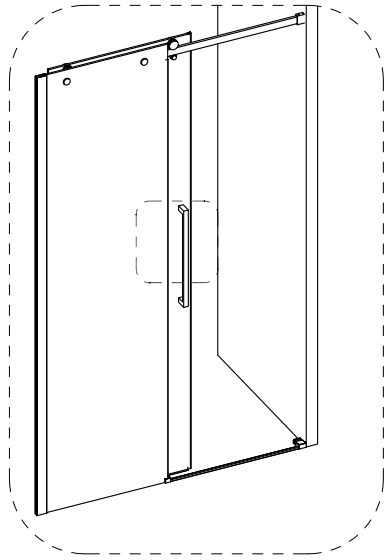
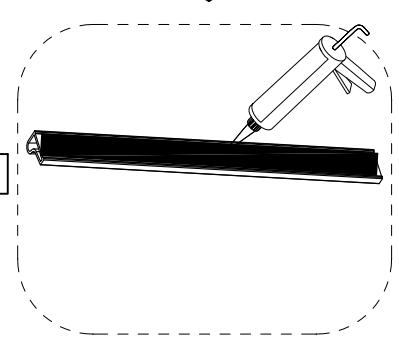
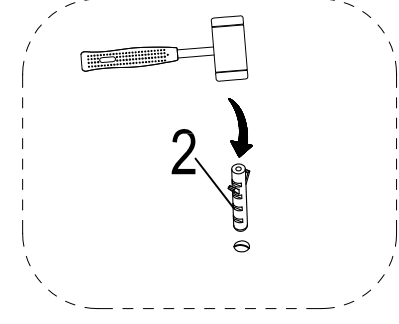
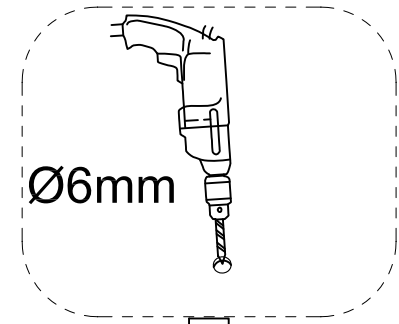
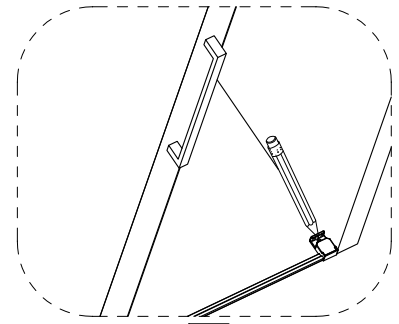
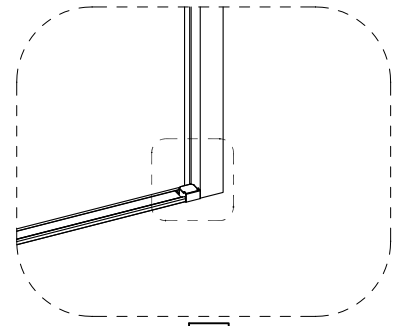


X1

16



X2



16

