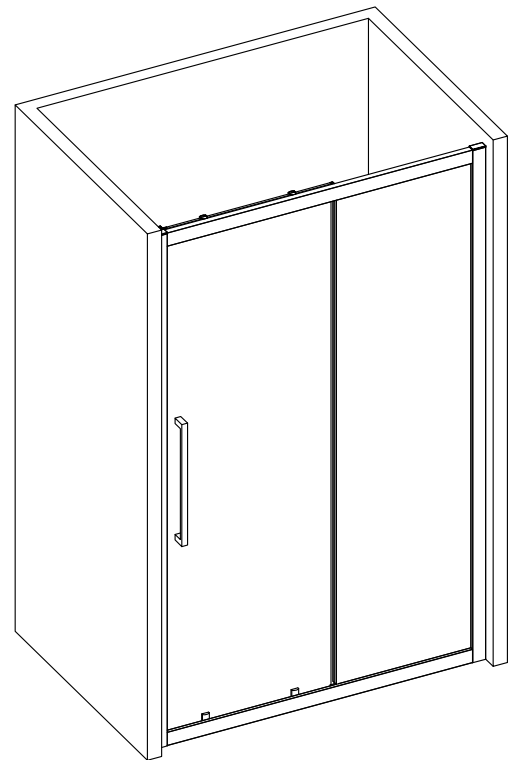
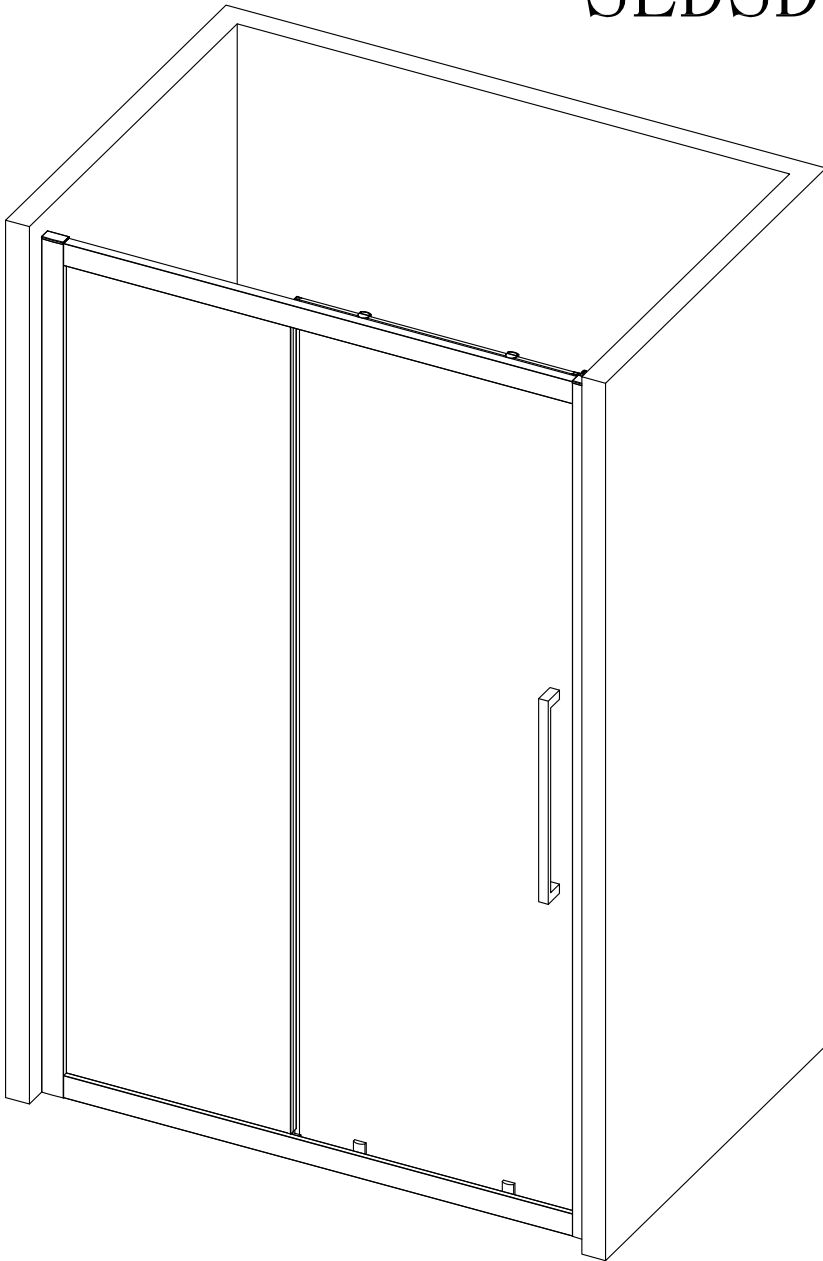
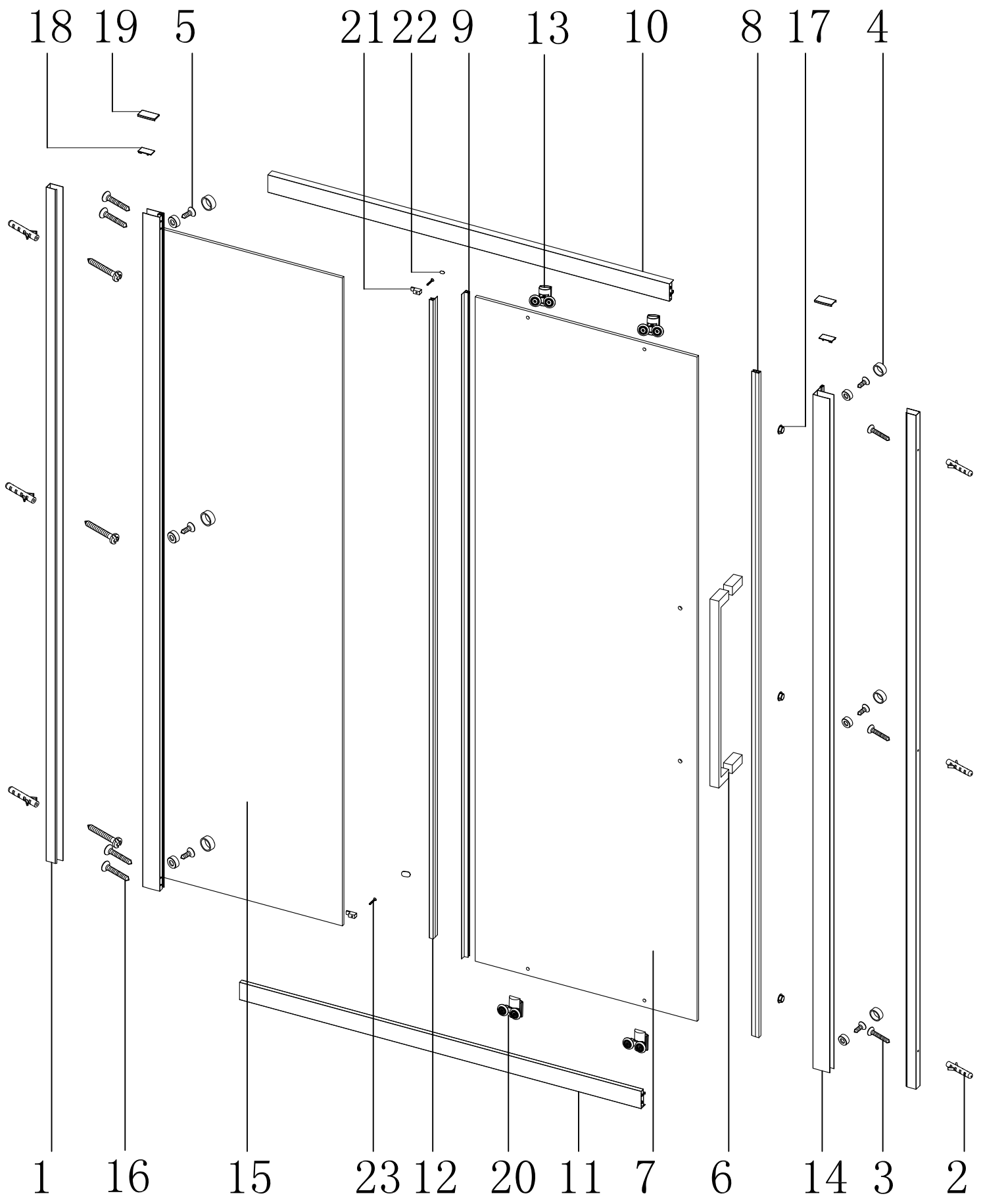


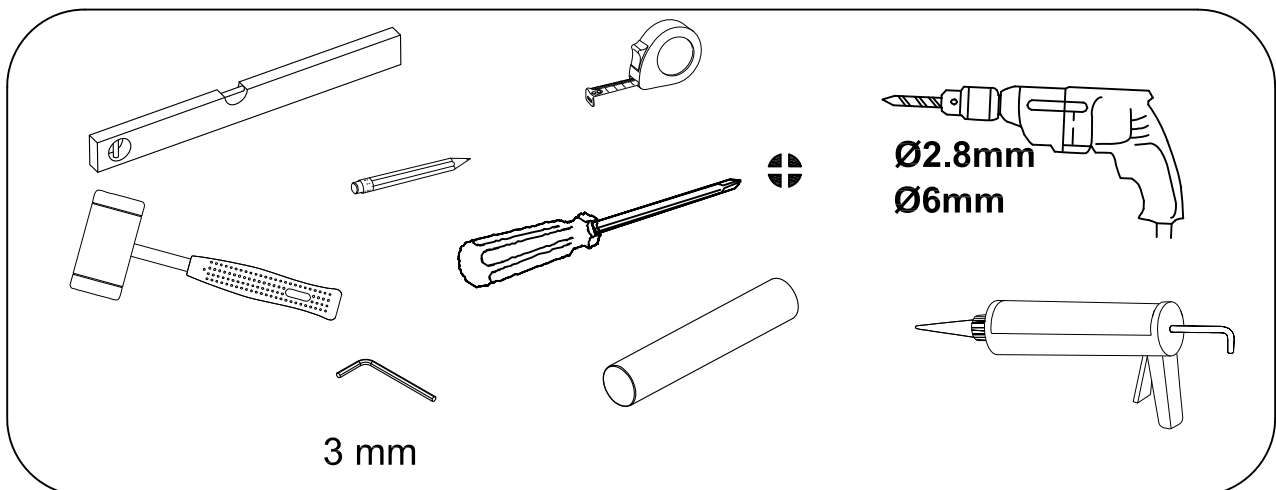
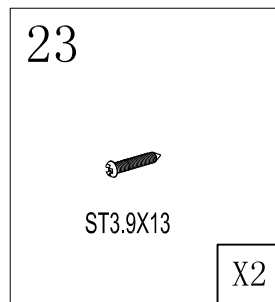
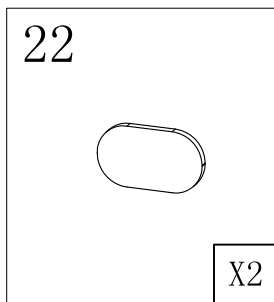
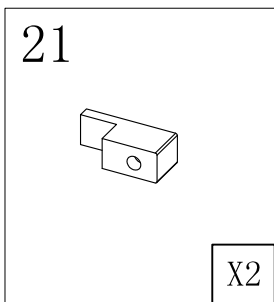
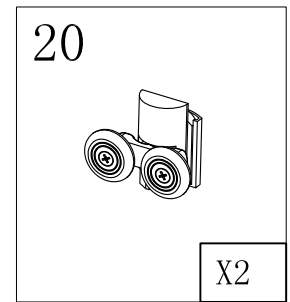
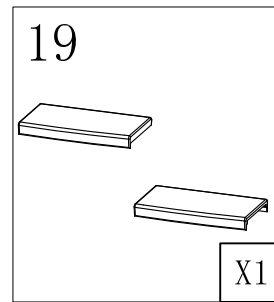
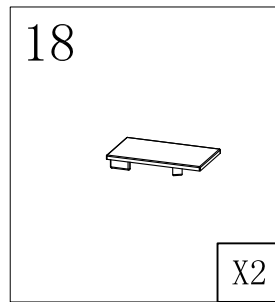
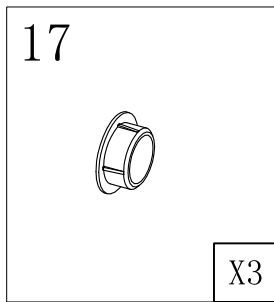
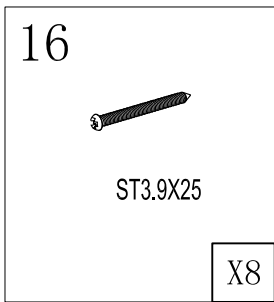
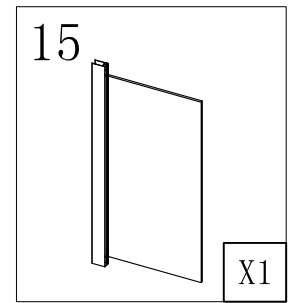
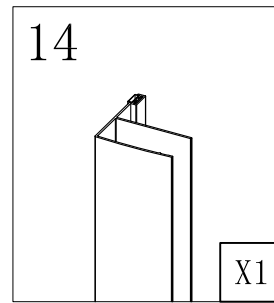
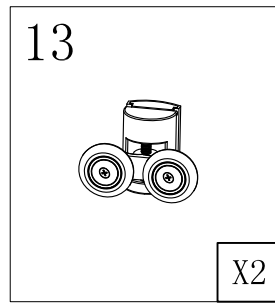
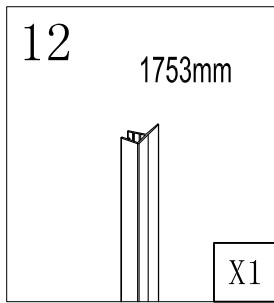
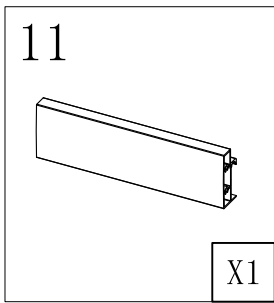
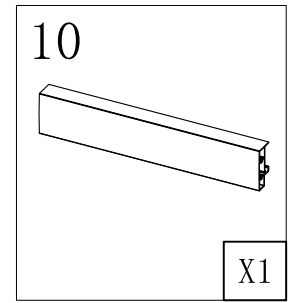
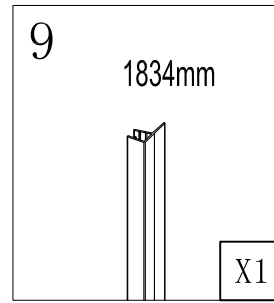
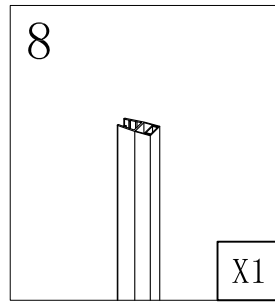
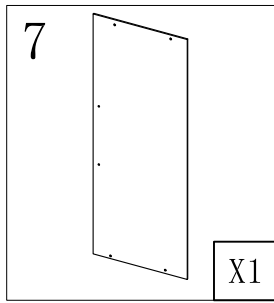
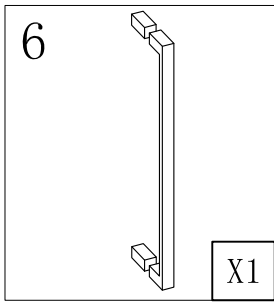
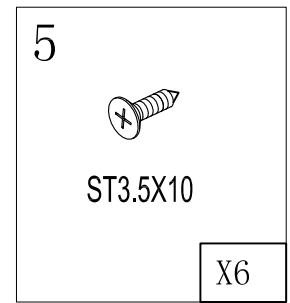
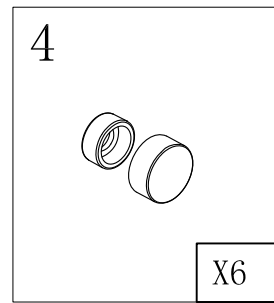
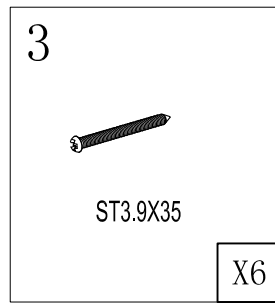
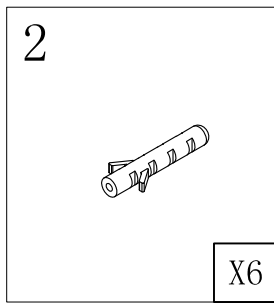
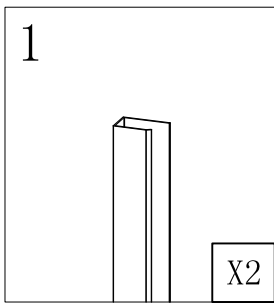
SES108

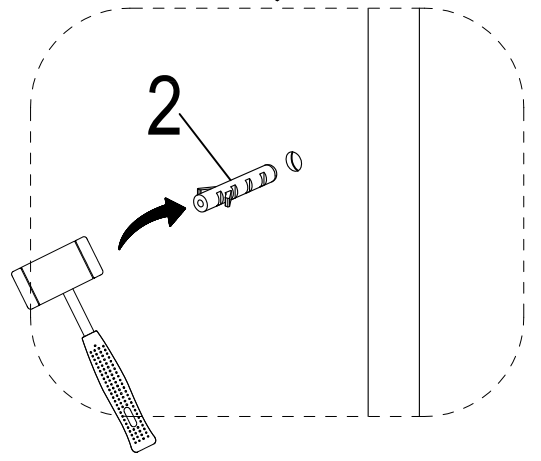
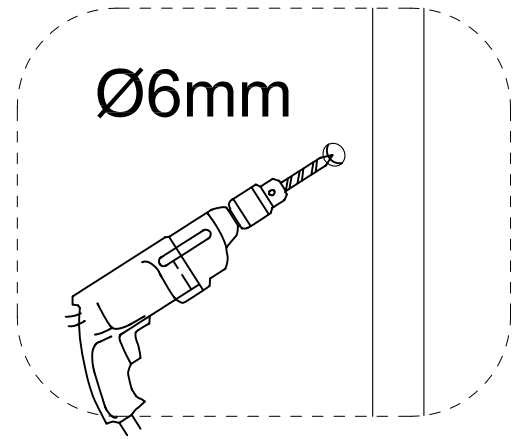
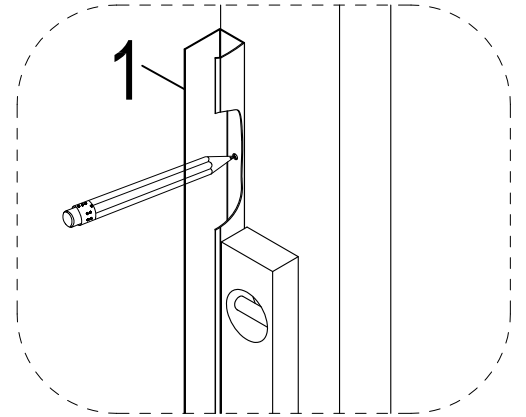
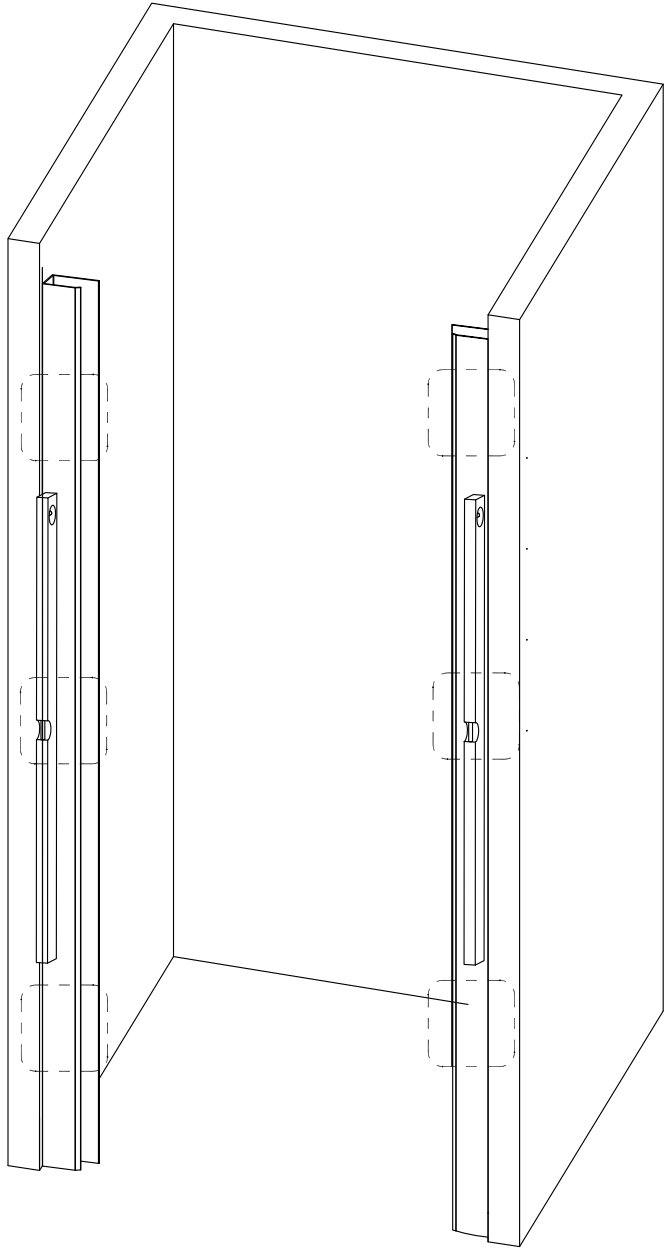
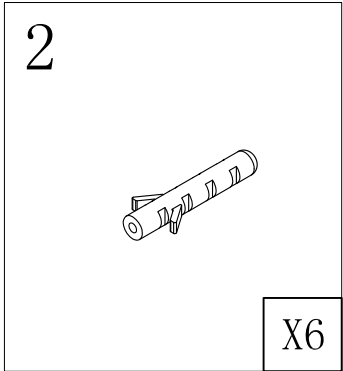
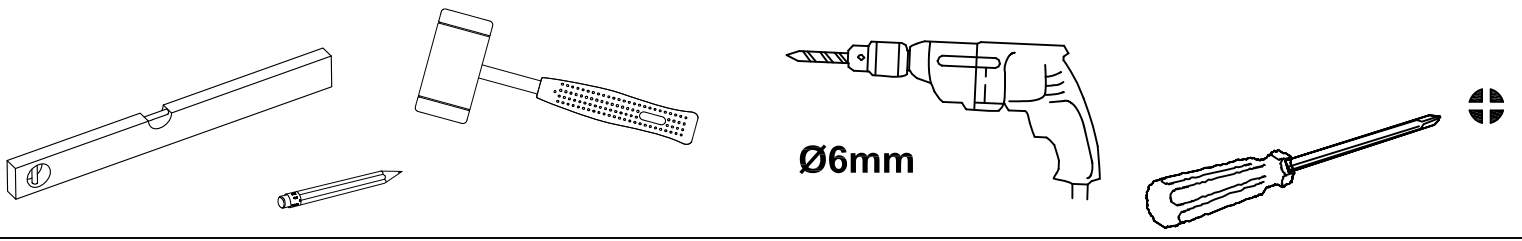
SES1208

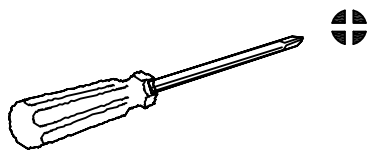
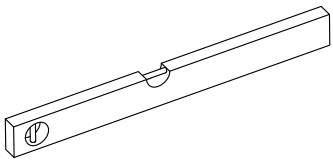
SESDS1408



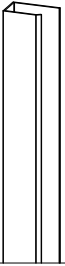






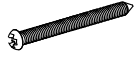


1



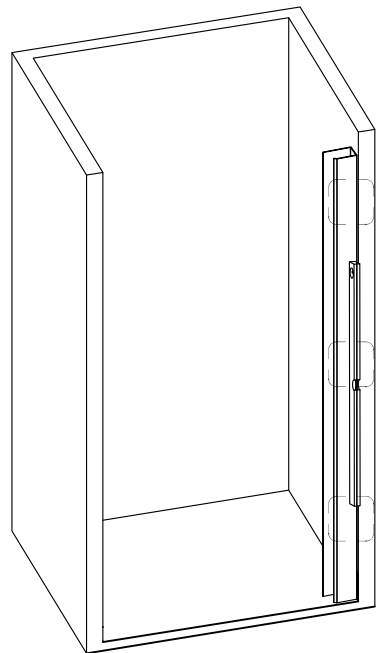
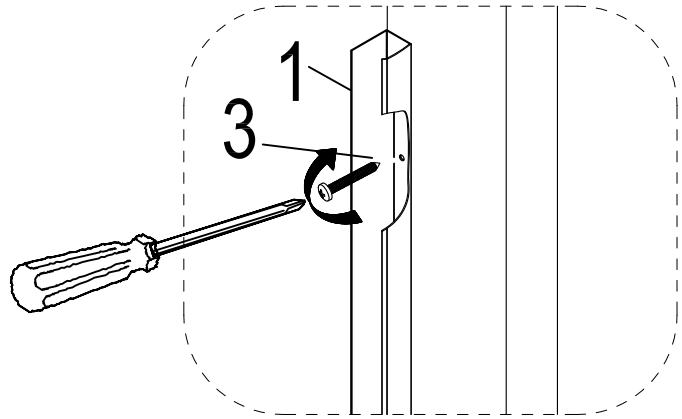
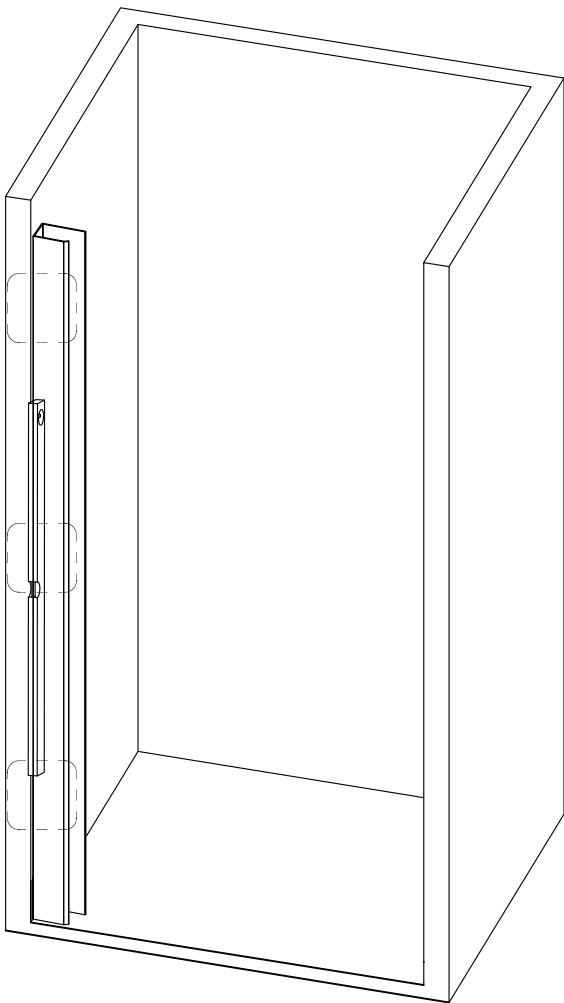
X1

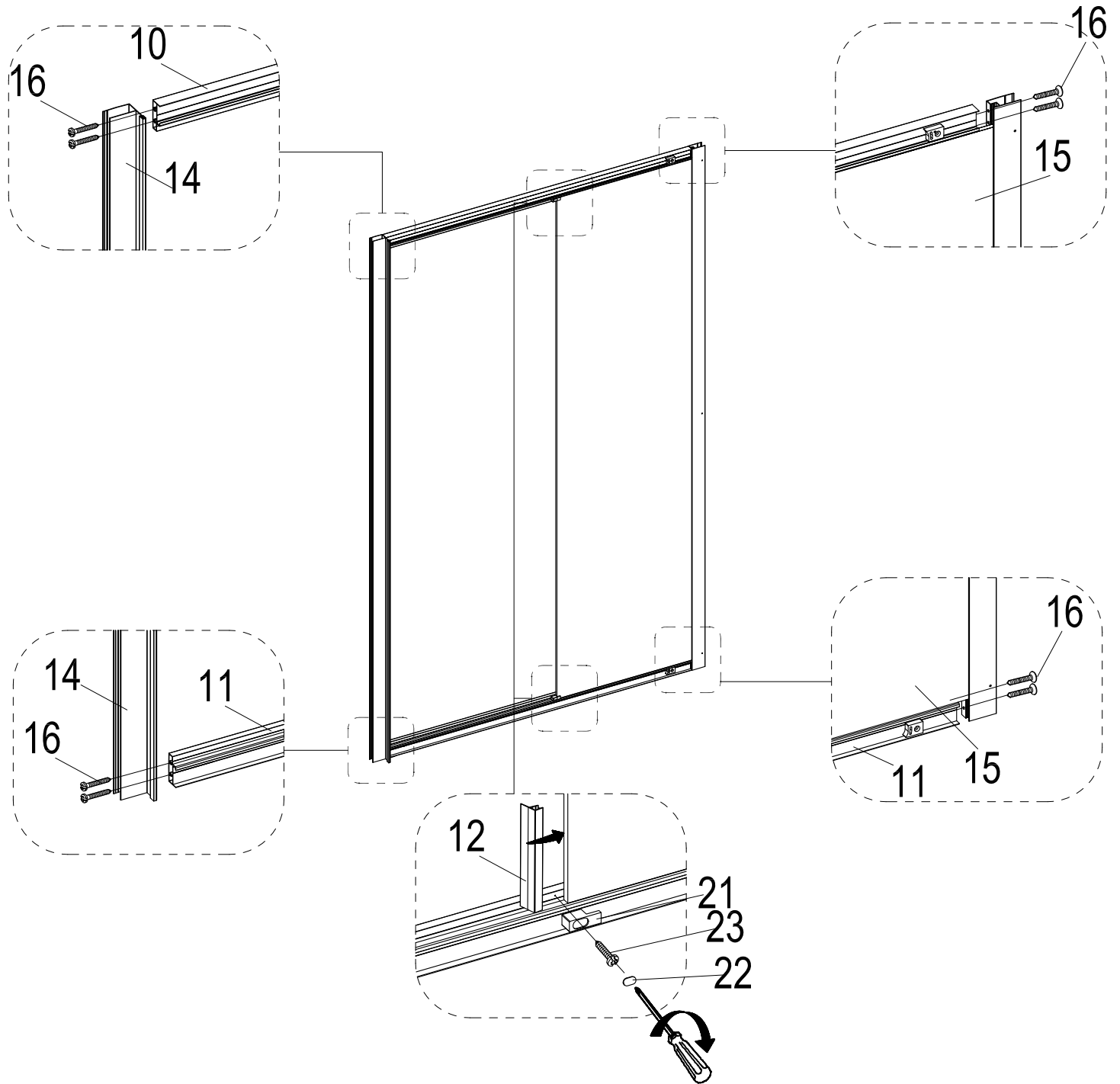
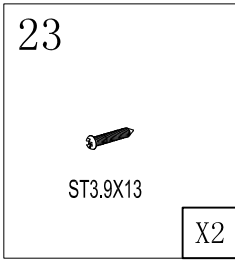
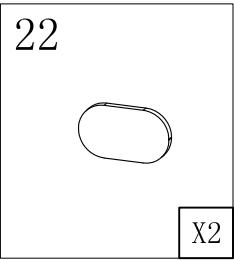
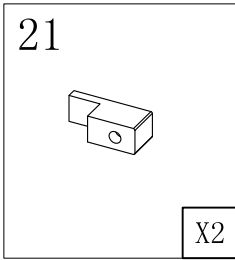
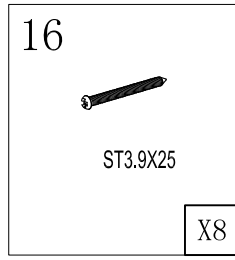
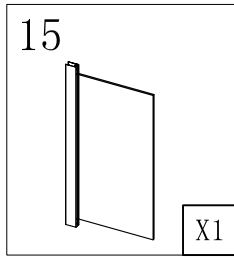
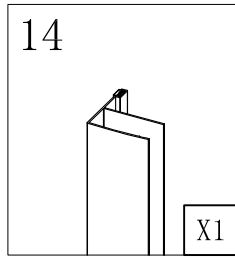
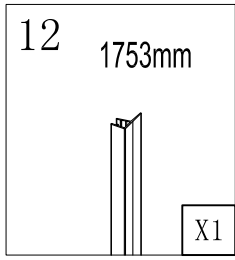
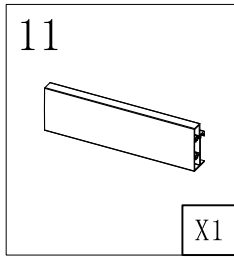
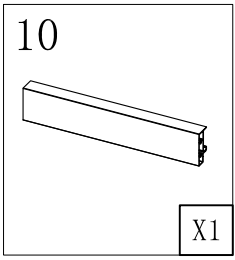
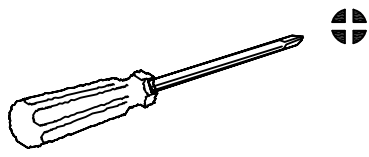
3

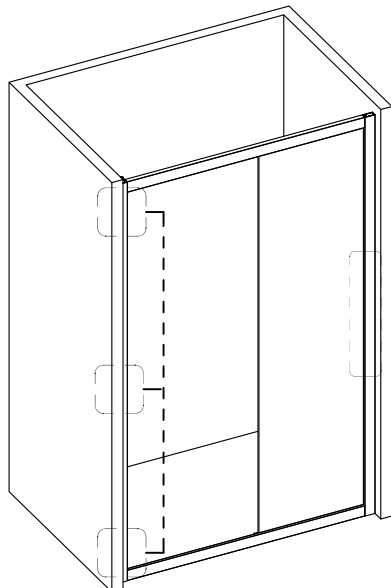
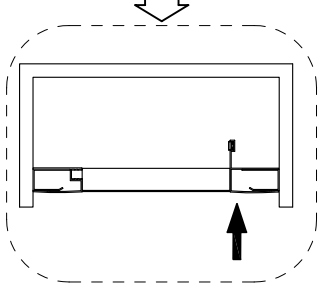
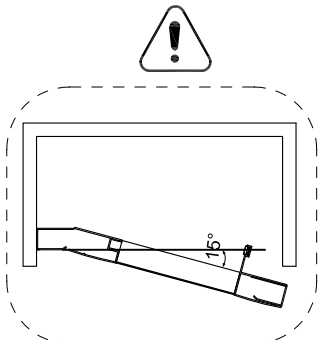
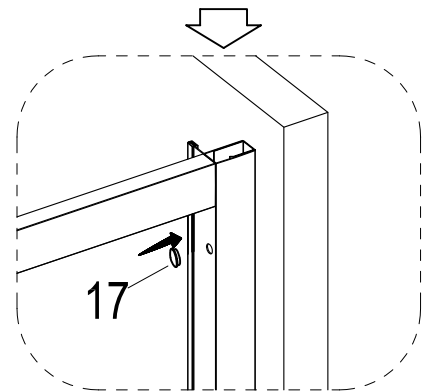
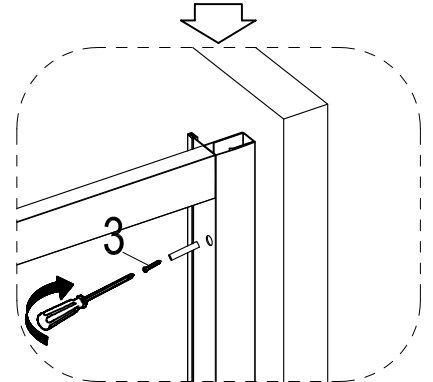
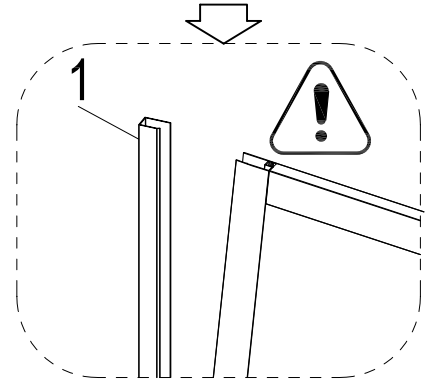
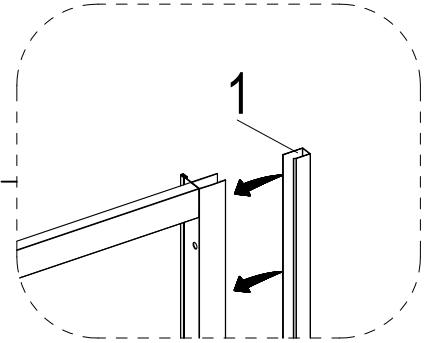
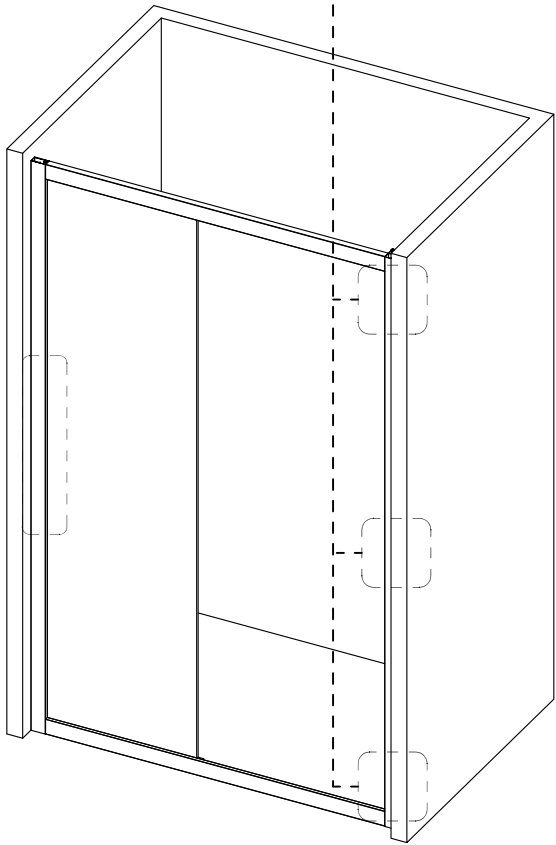
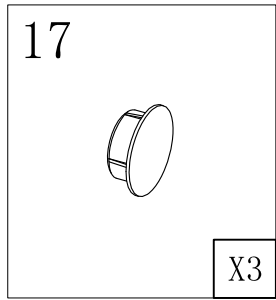
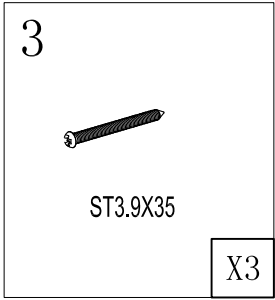
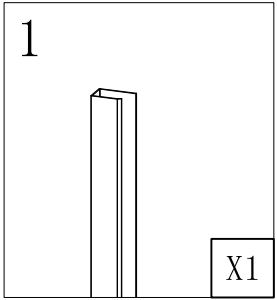
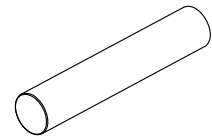
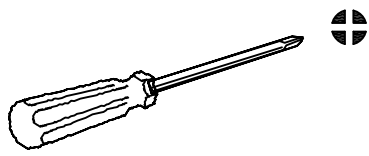
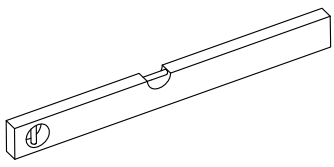


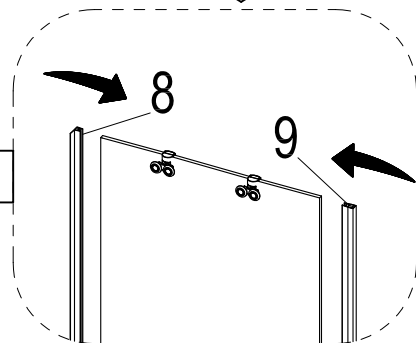
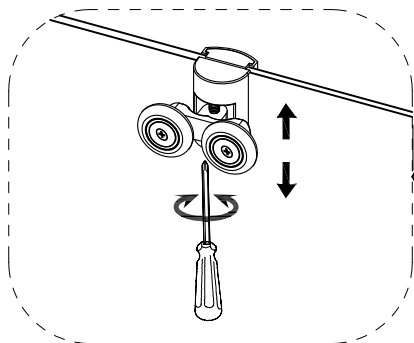
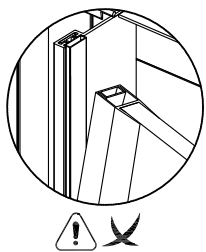
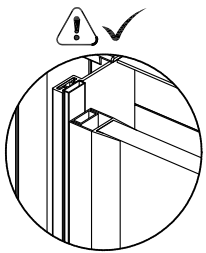
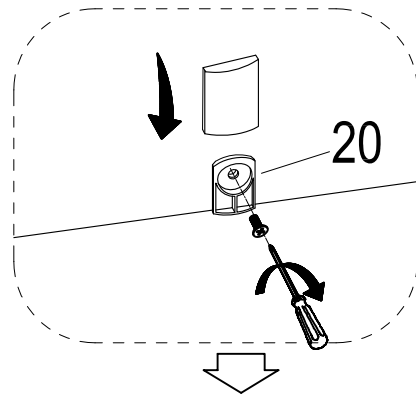
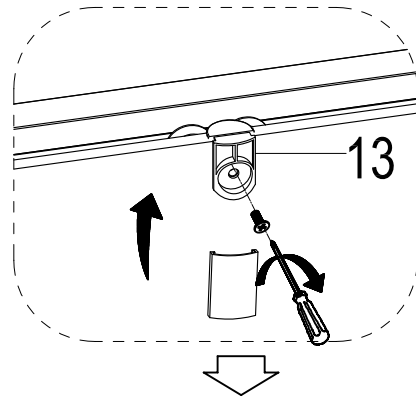
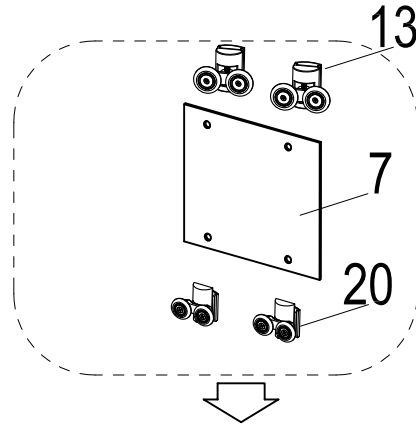
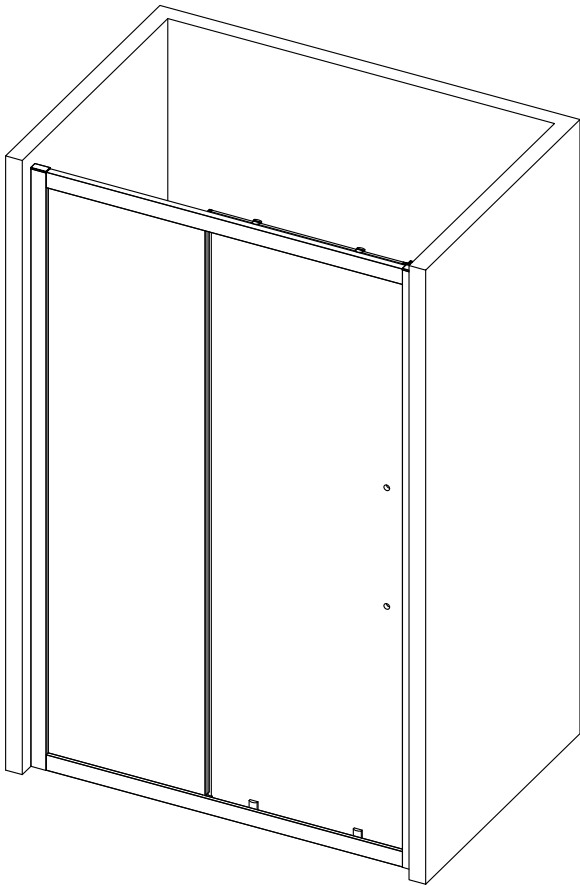
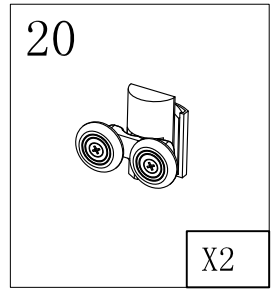
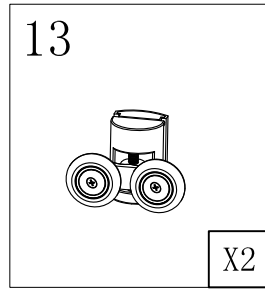
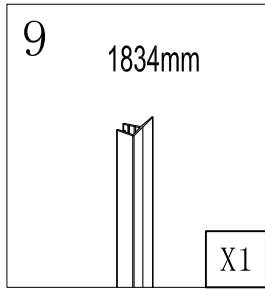
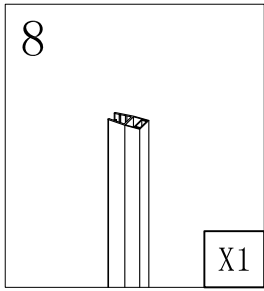
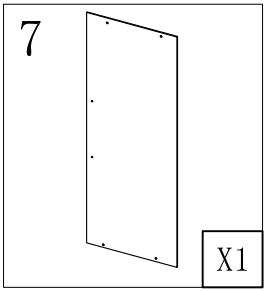
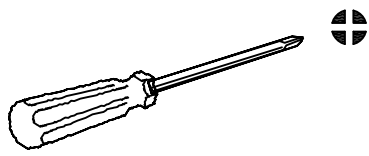
ST3.9X35

X3



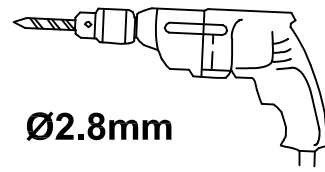
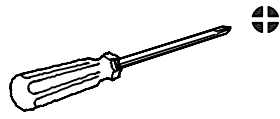








3 mm



Ø2.8mm

