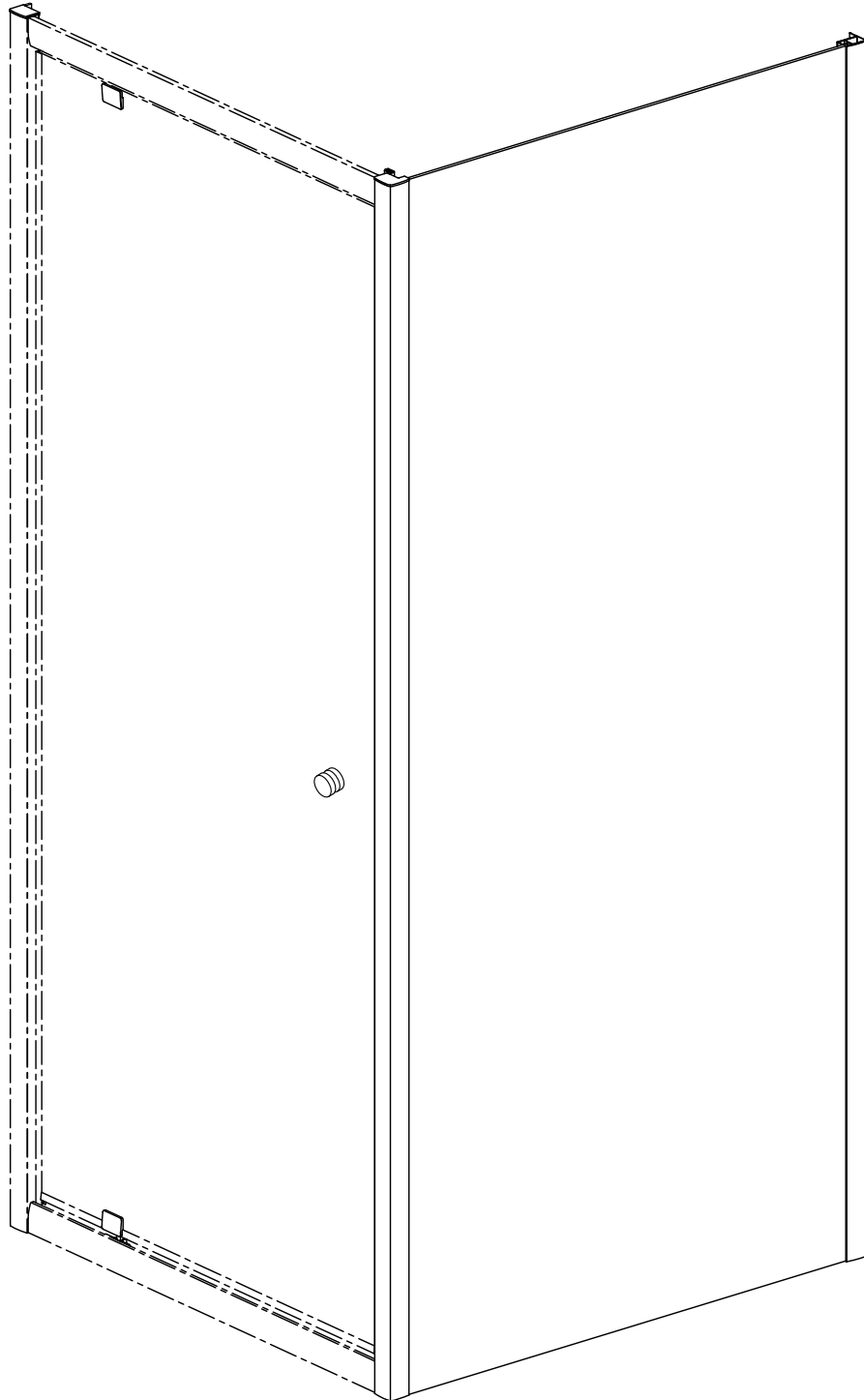
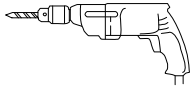
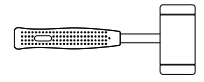
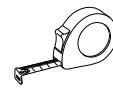
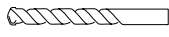
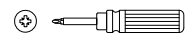
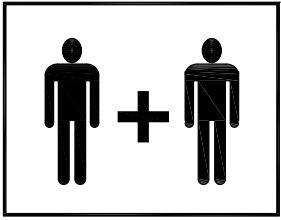
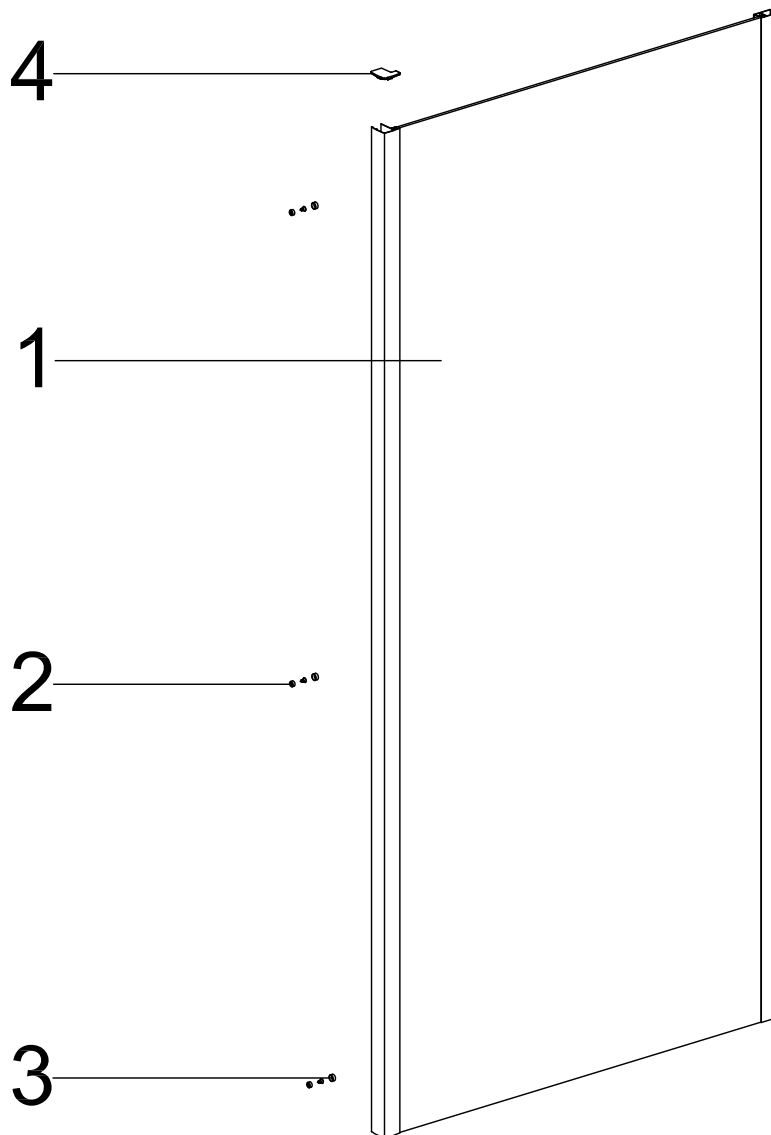
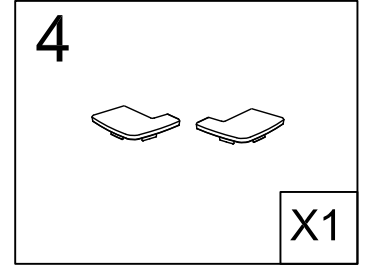
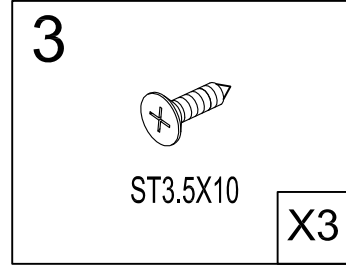
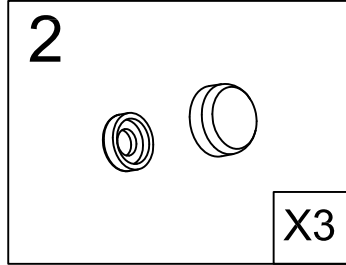
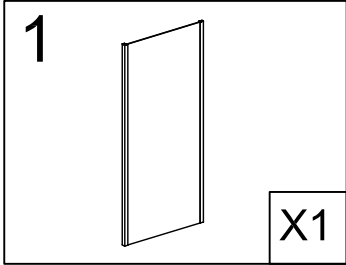
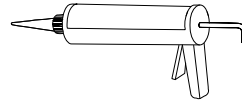


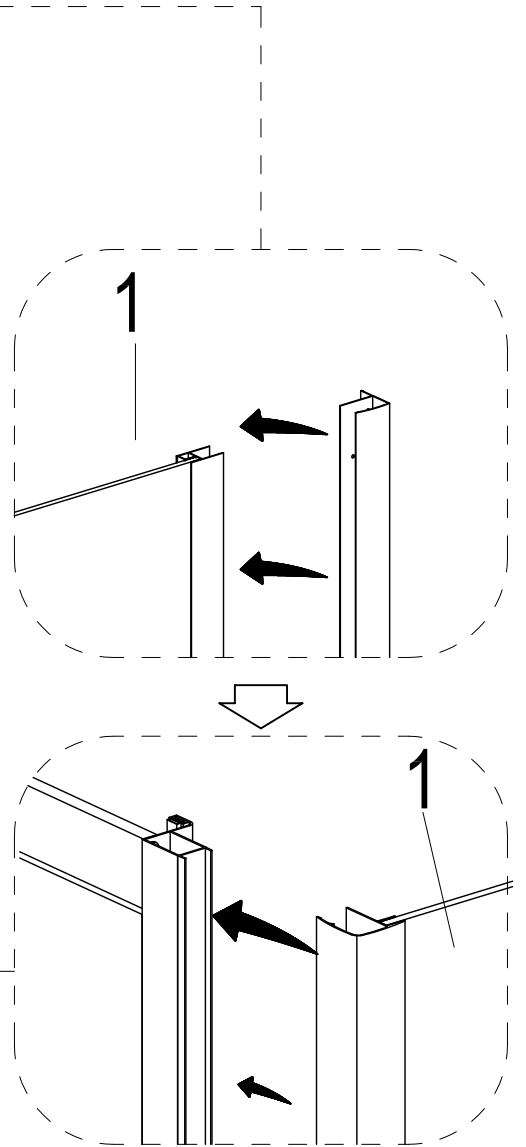
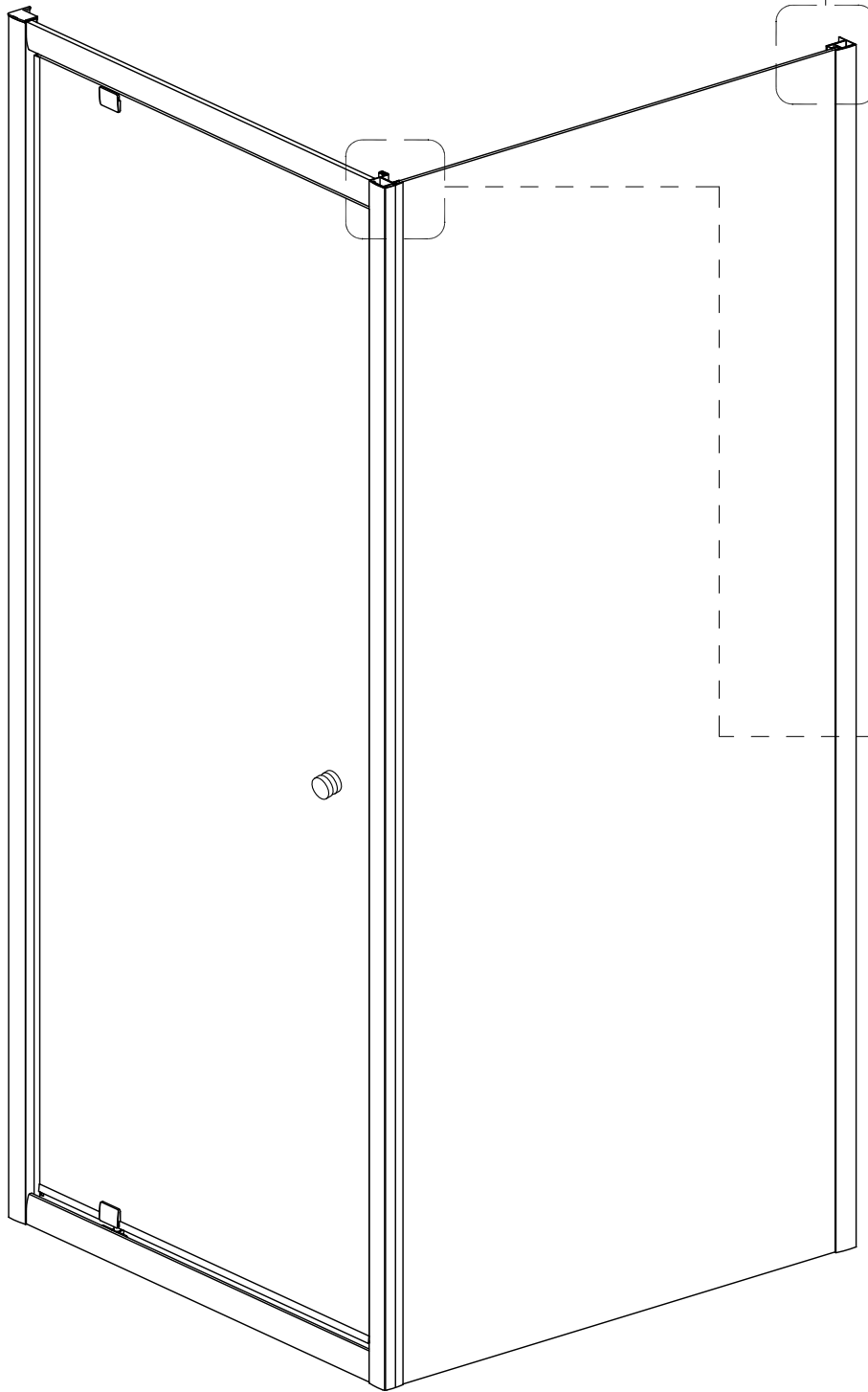
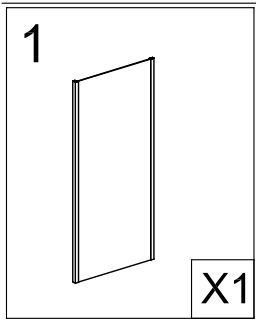
SESP766 SESP806

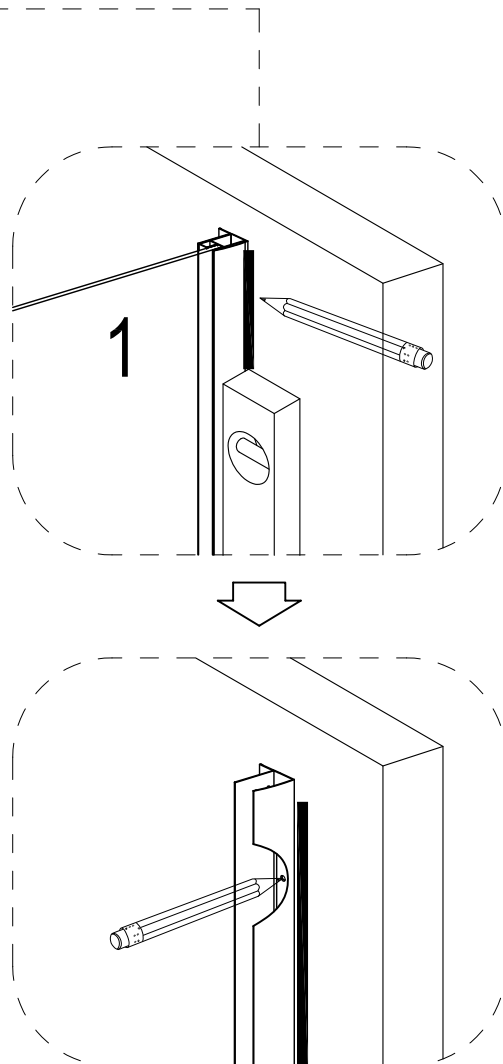
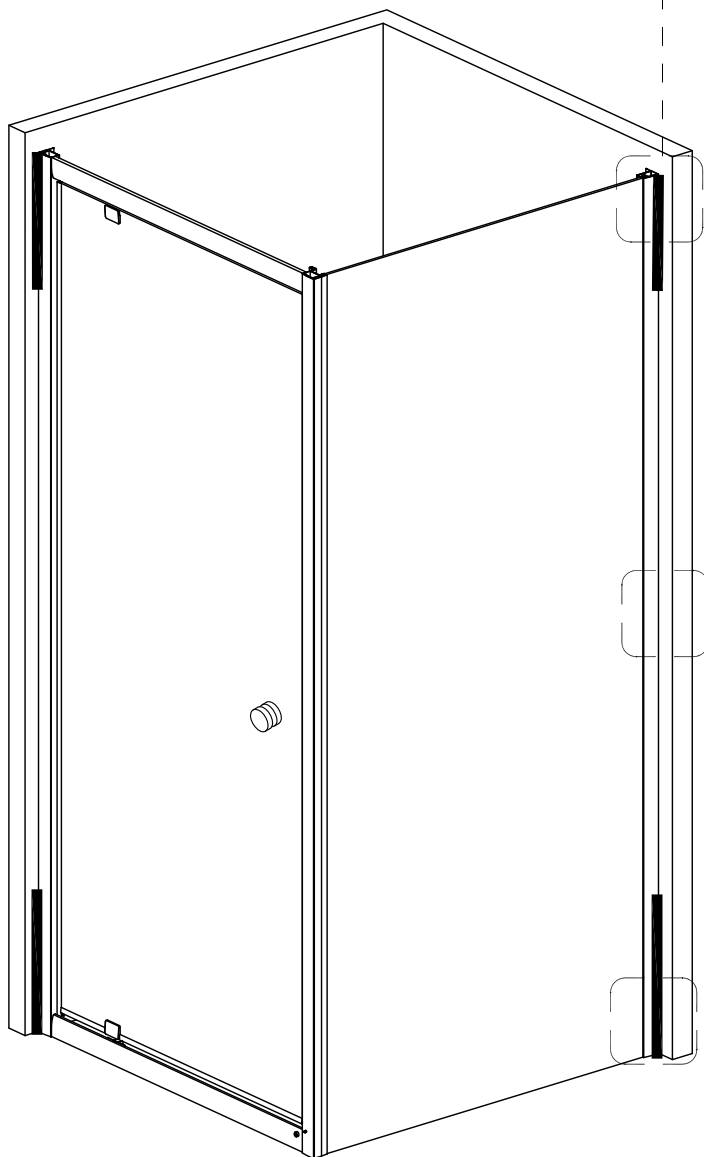


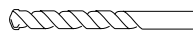
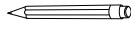
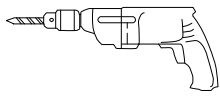
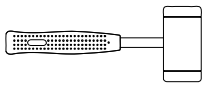


Ø2.8mm

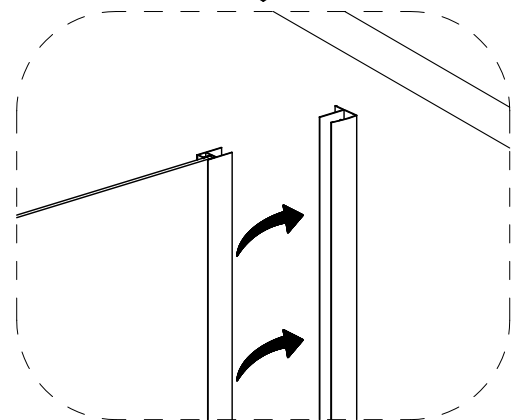
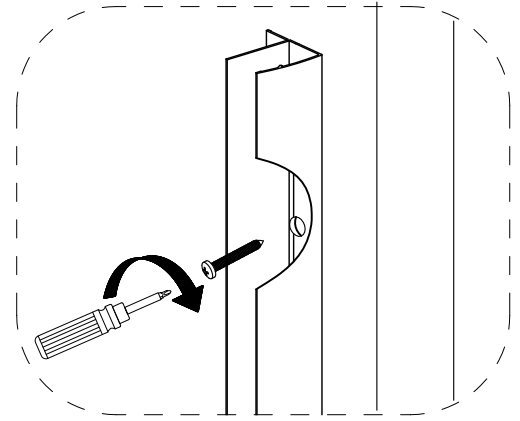
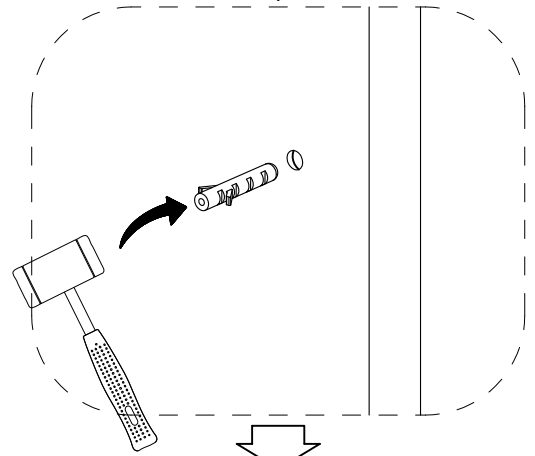
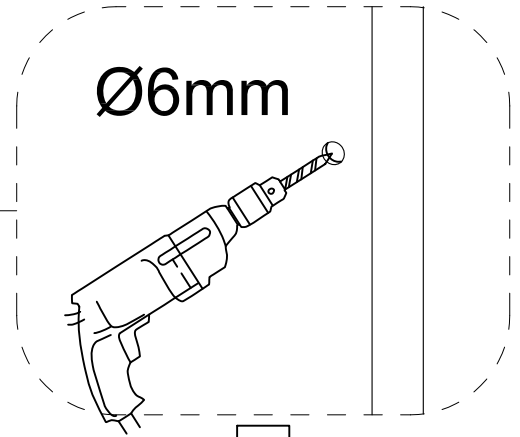
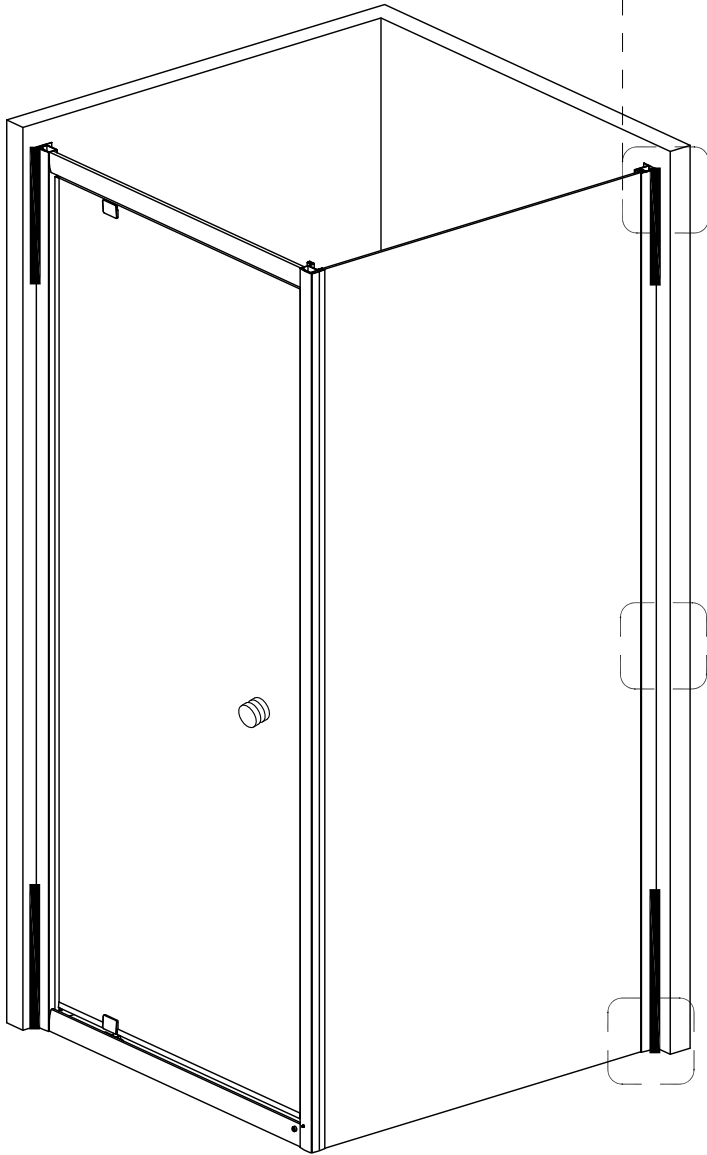


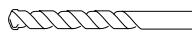
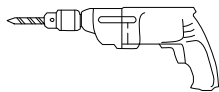






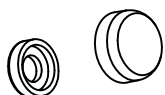
Ø6mm





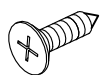
Ø2.8mm

2



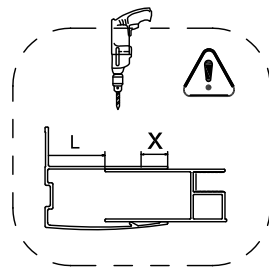
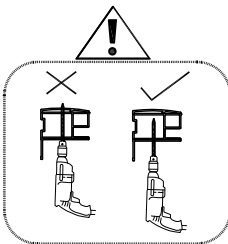
X3

3

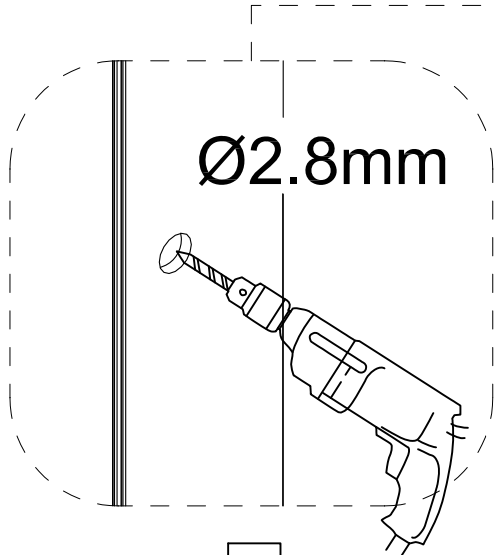


ST3.5X10

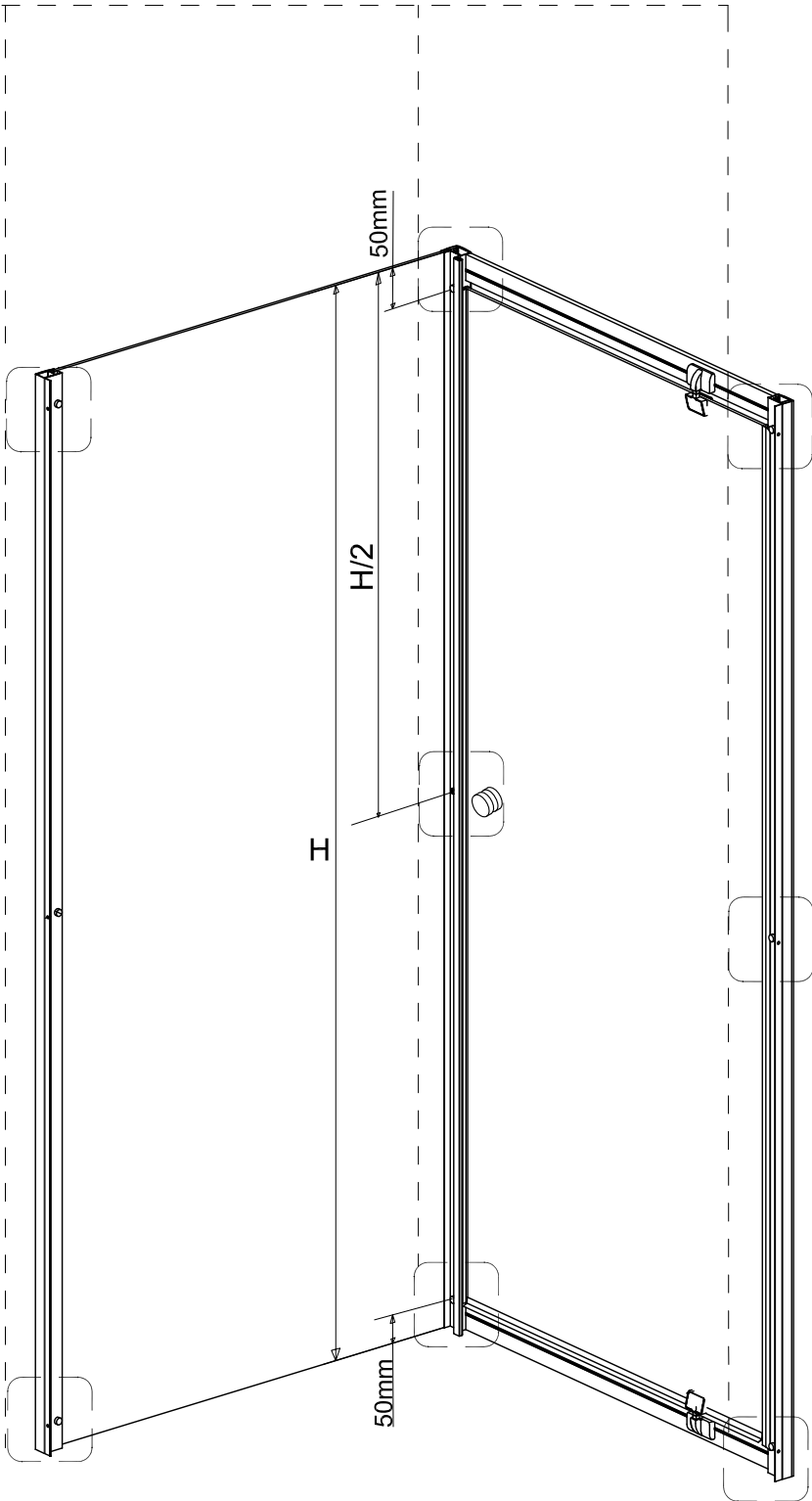
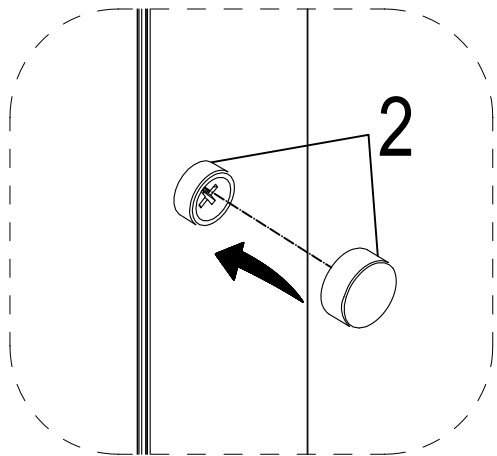
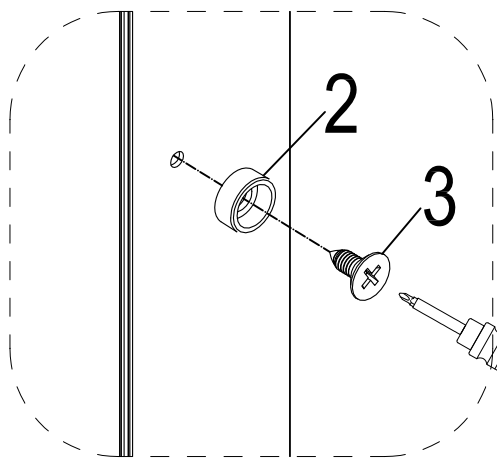
X3



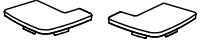
$0 < L \leq 10$ X=13
 $10 < L < 20$ X=7



Ø2.8mm



4



X1

