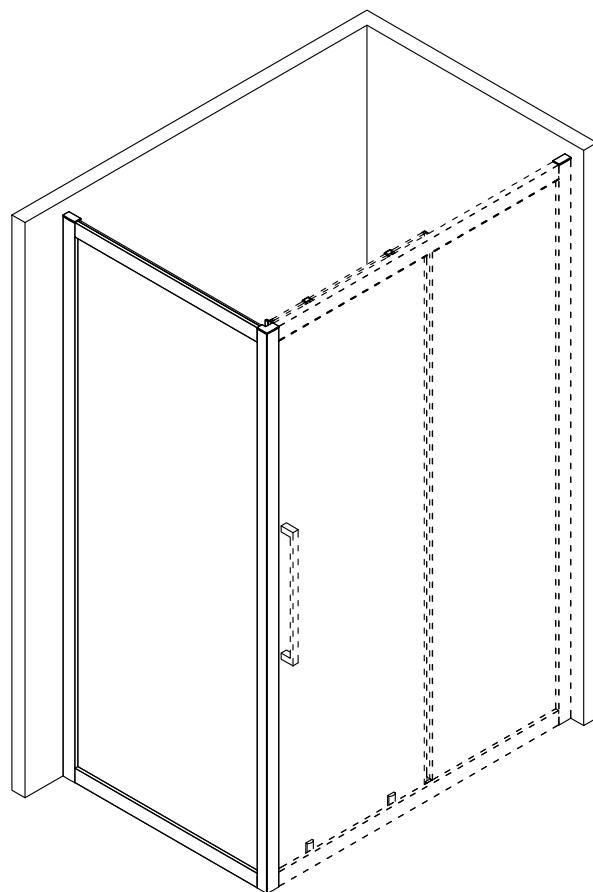
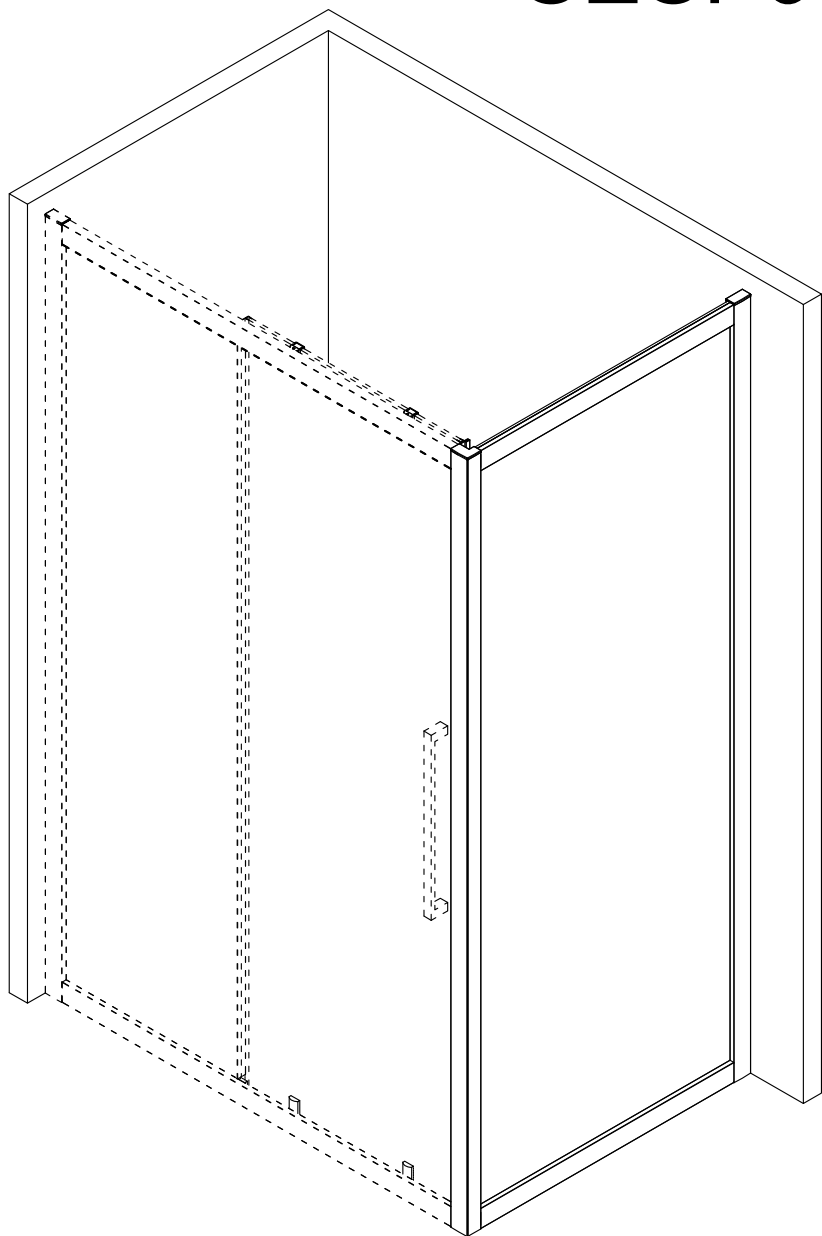
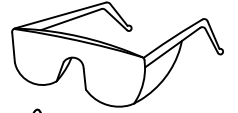
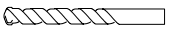
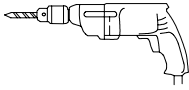
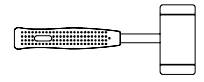
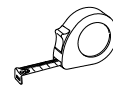
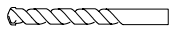
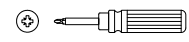
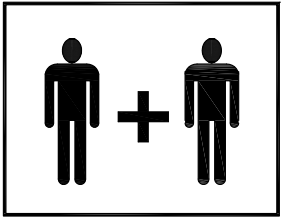


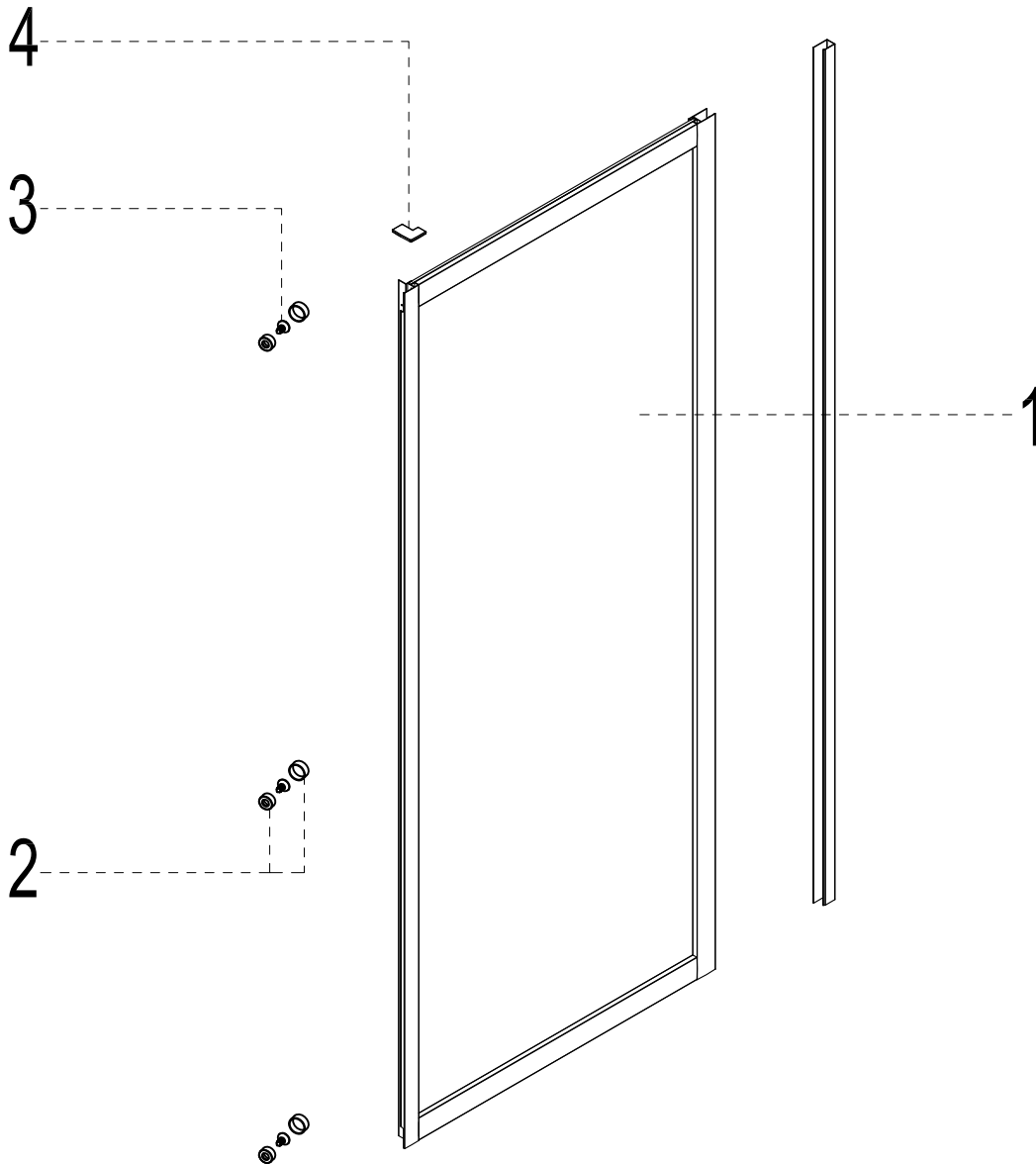
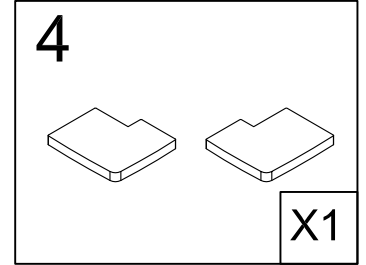
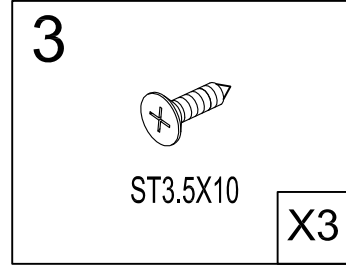
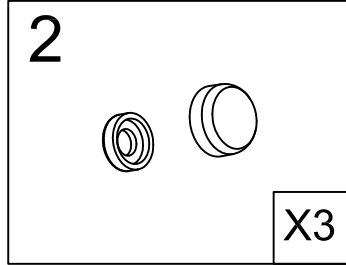
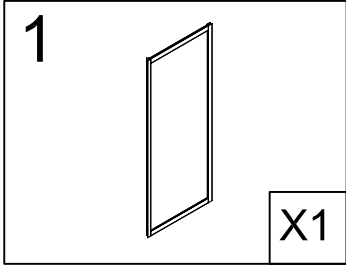
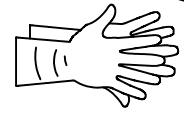
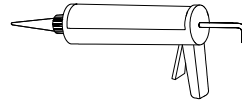
SESP768
SESP808
SESP908

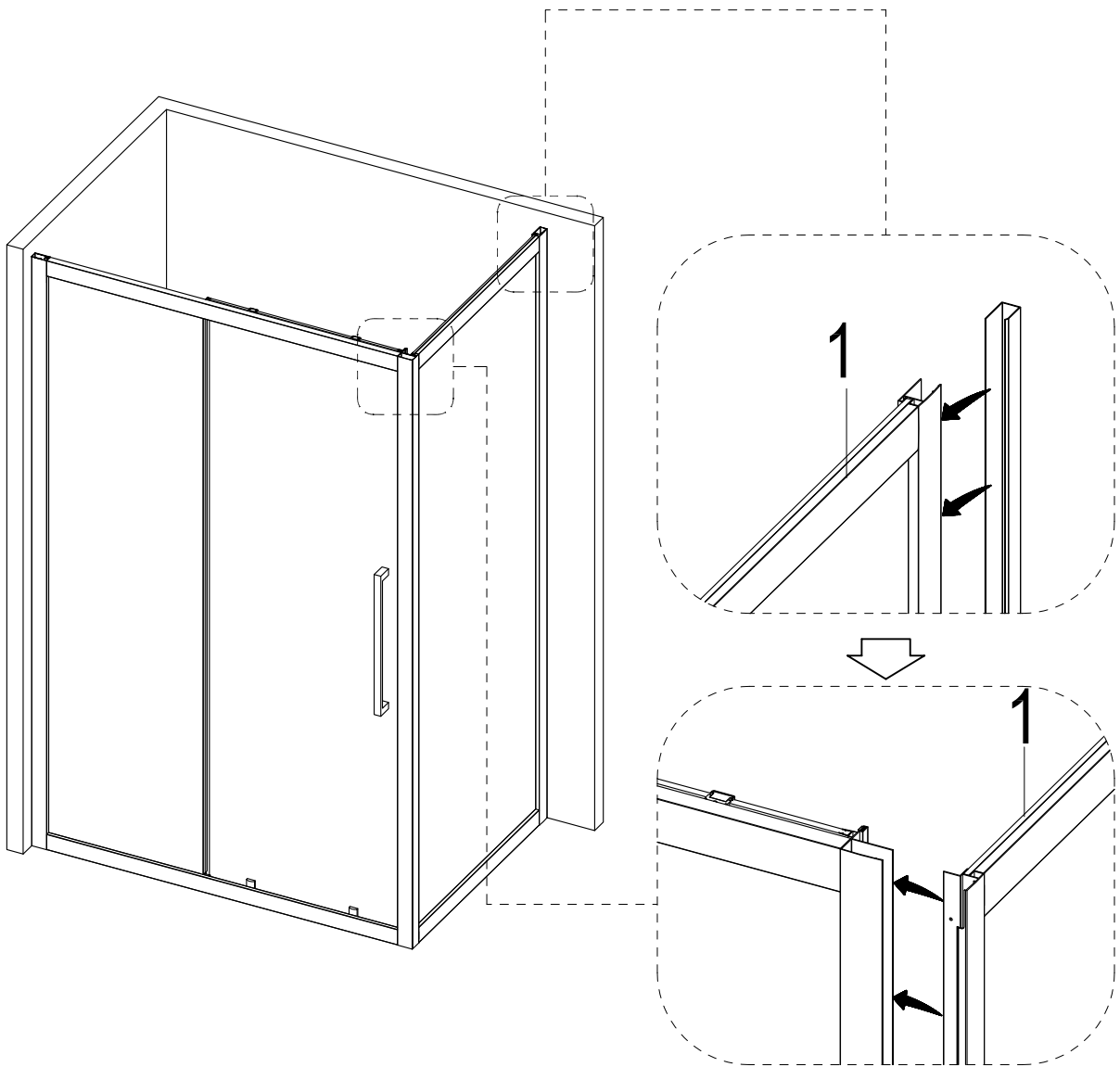
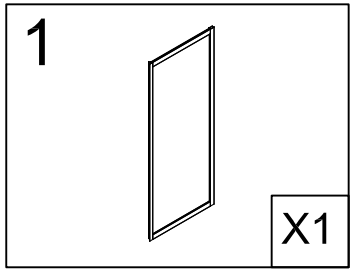


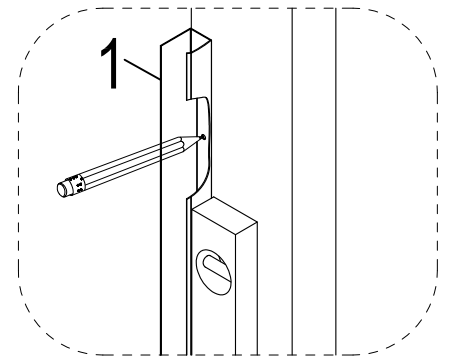
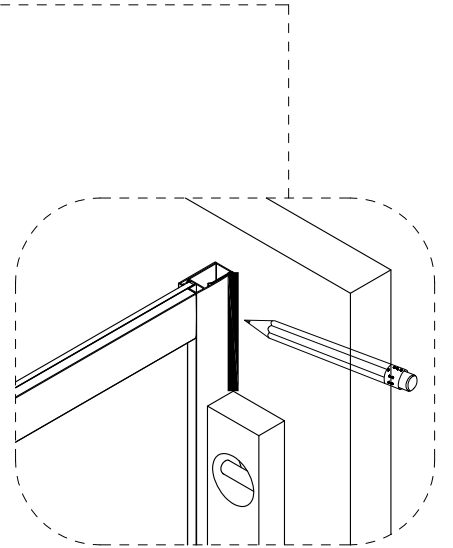
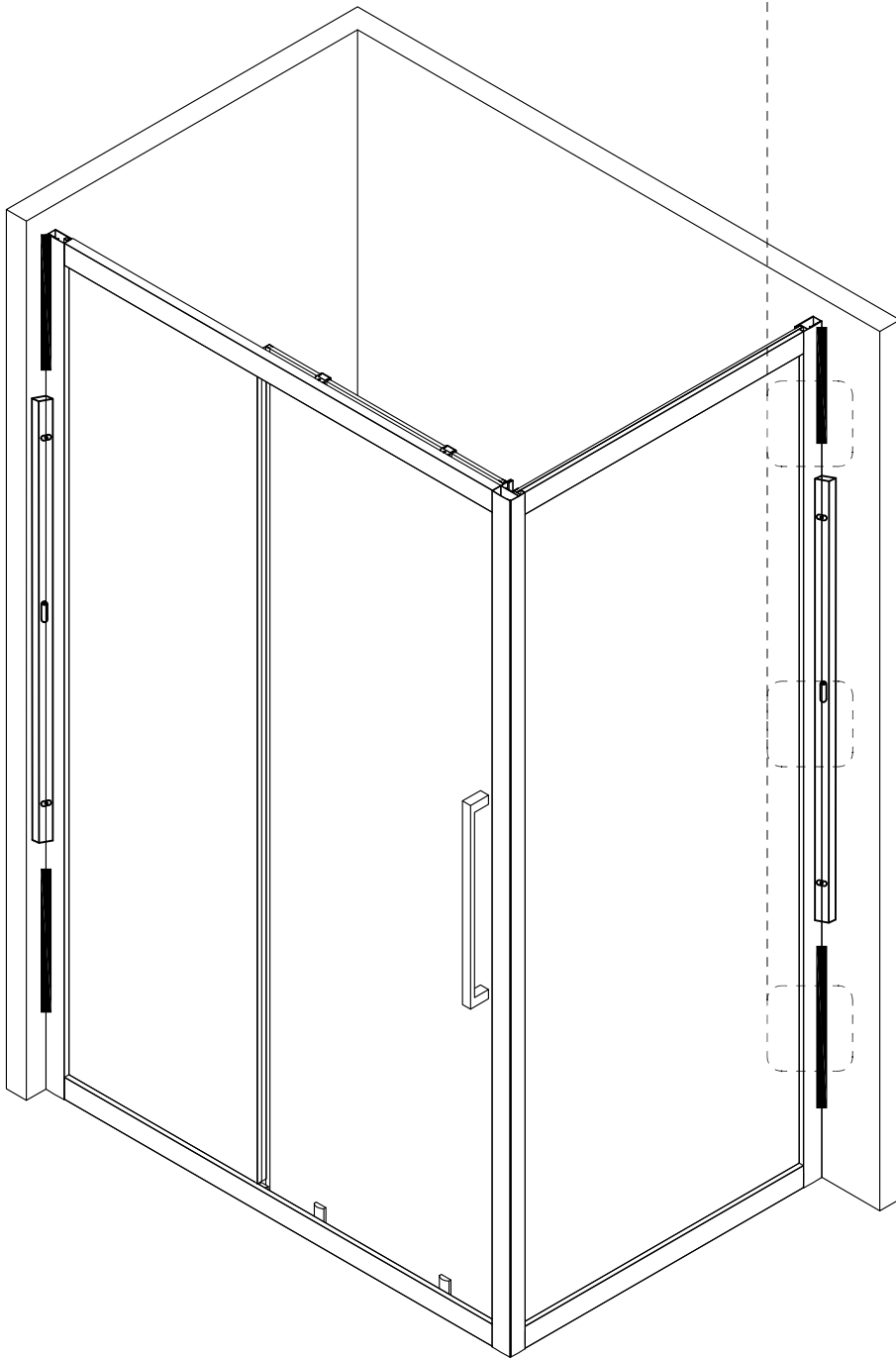


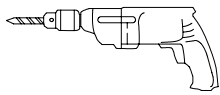
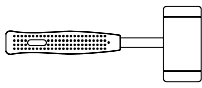
Ø6mm

Ø2.8mm

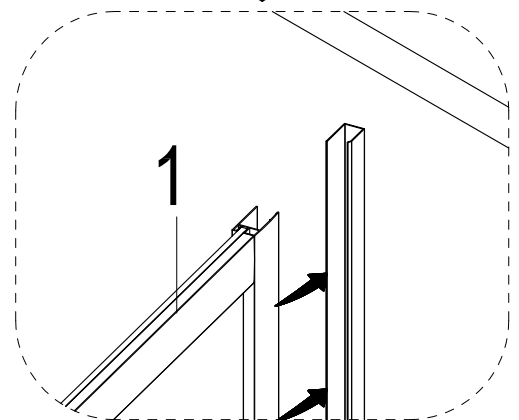
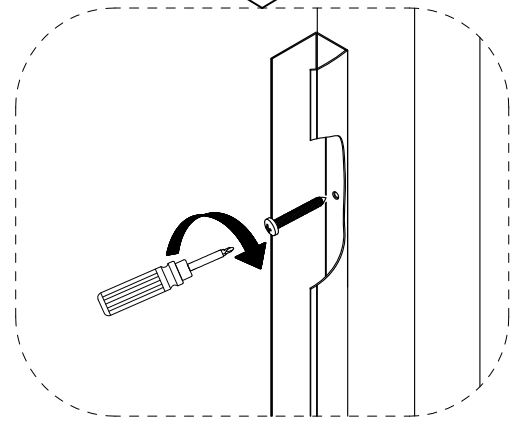
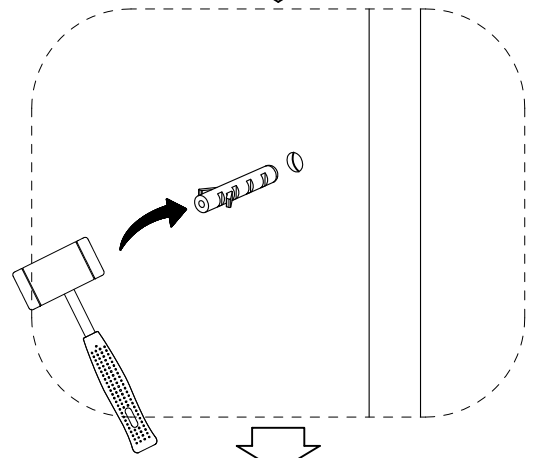
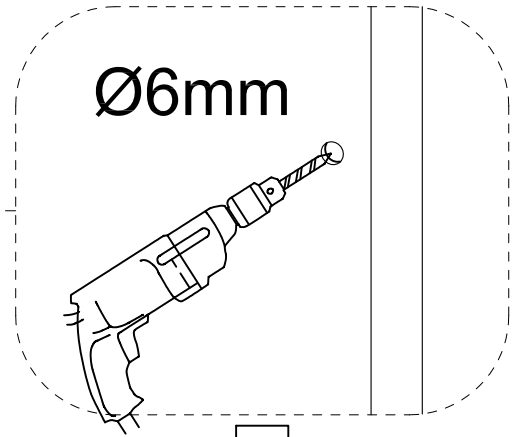
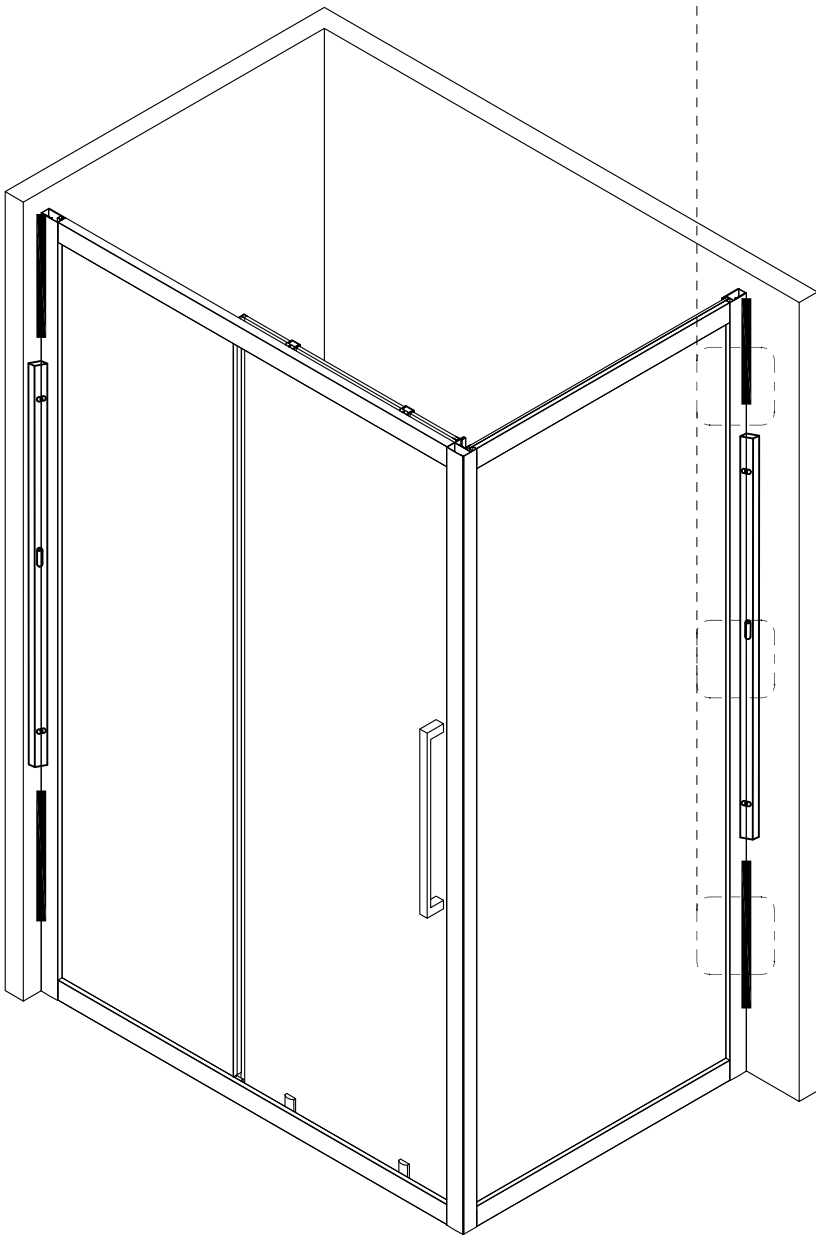
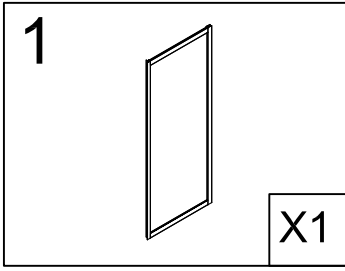


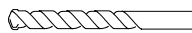
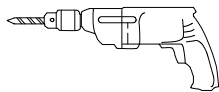






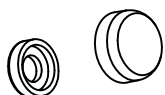
Ø6mm





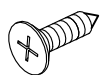
Ø2.8mm

2



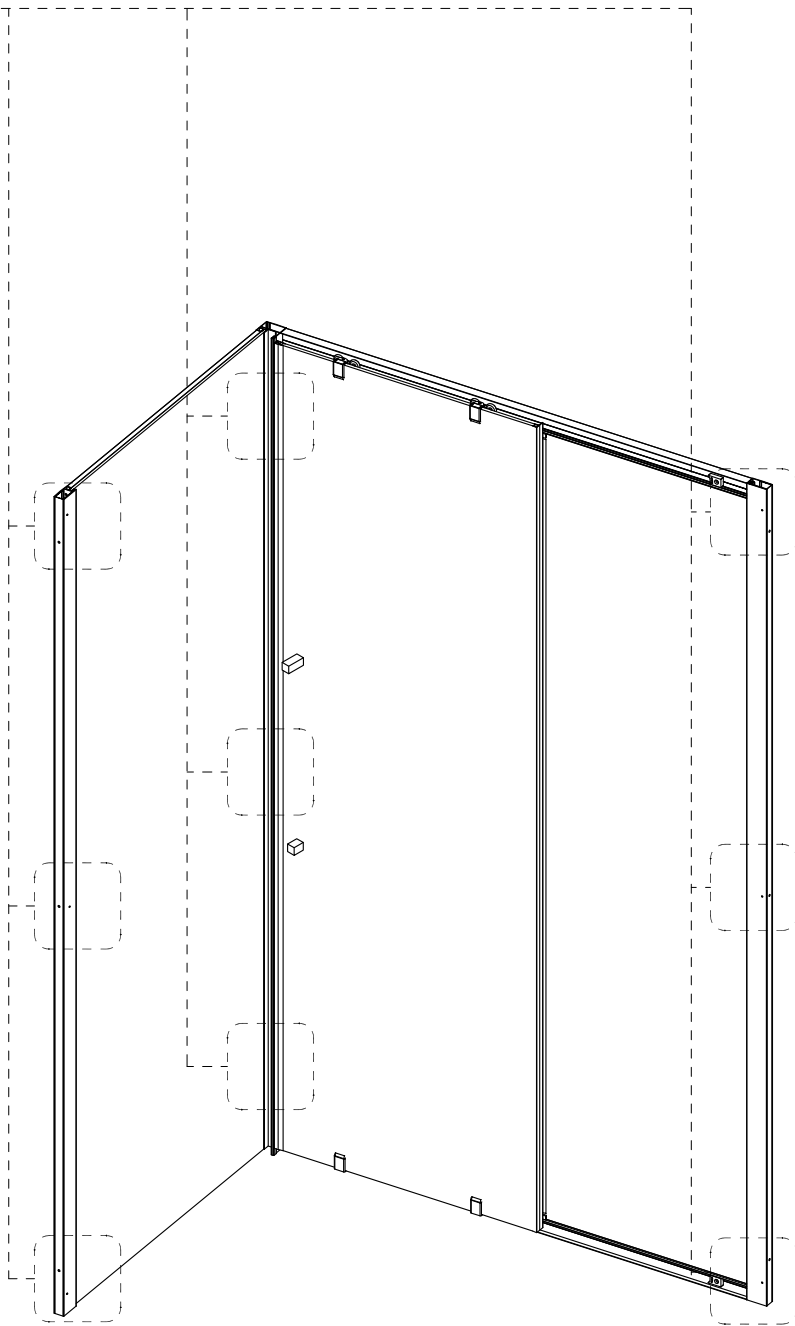
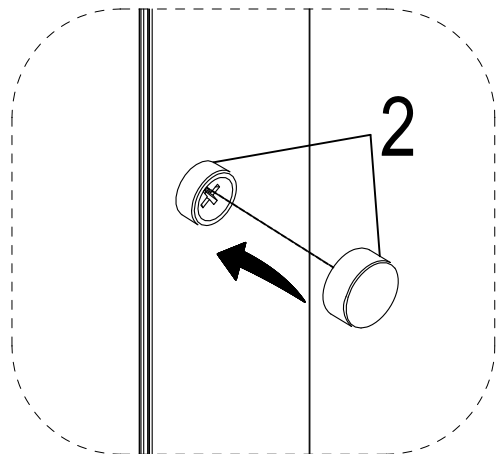
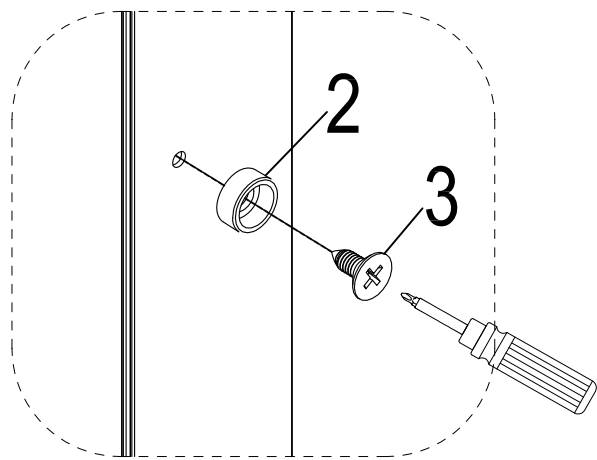
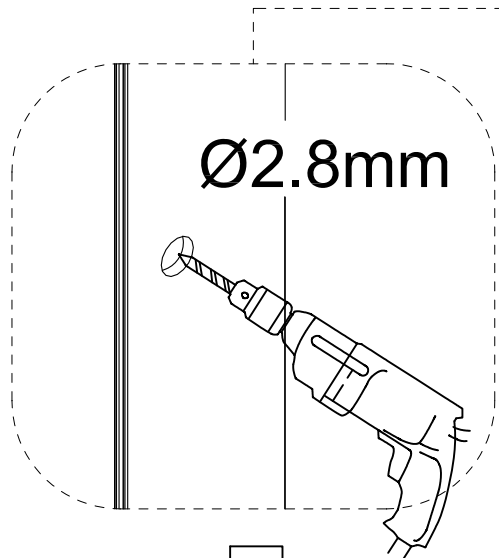
X3

3

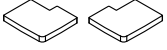


ST3.5X10

X3



4



X1

