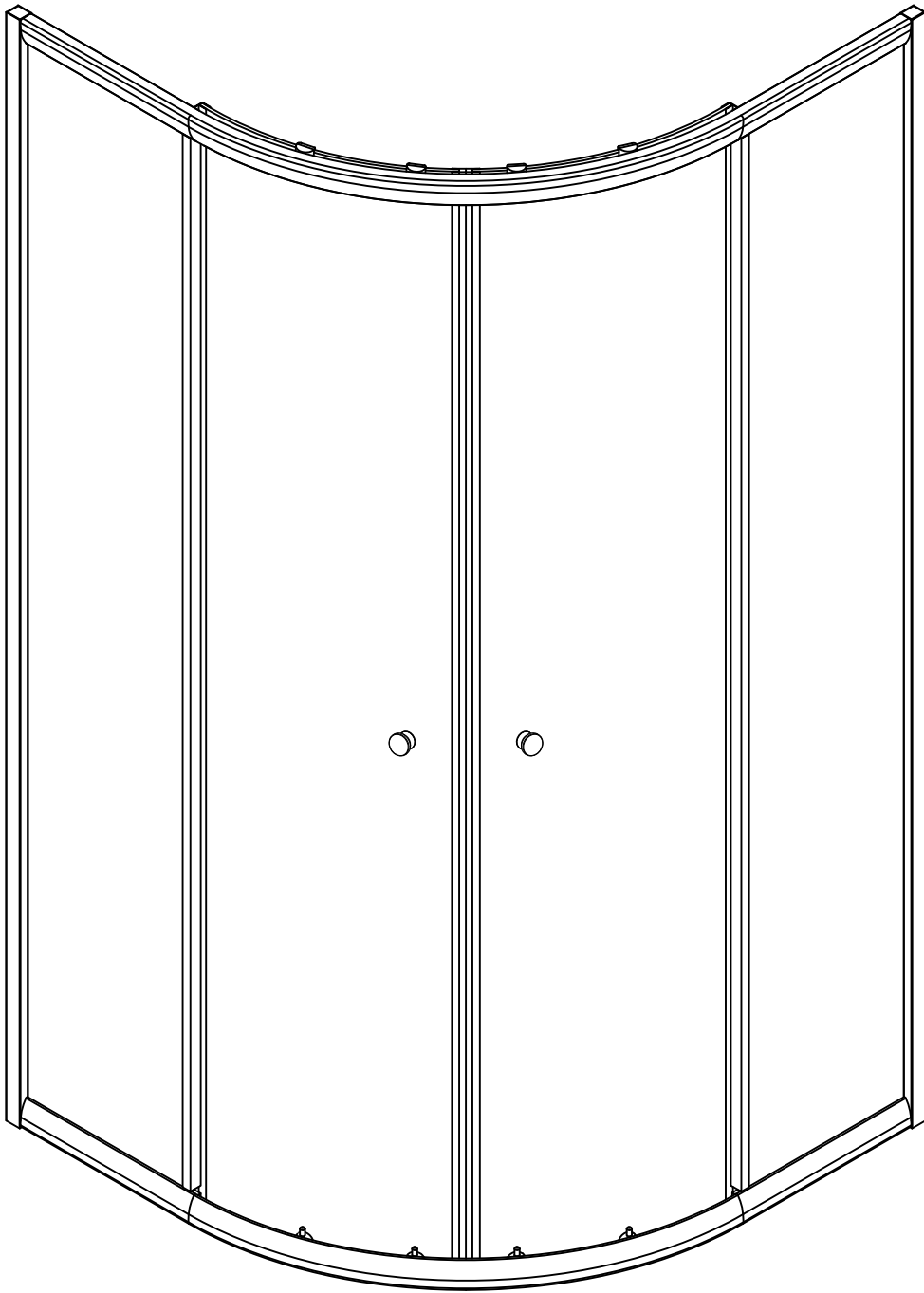
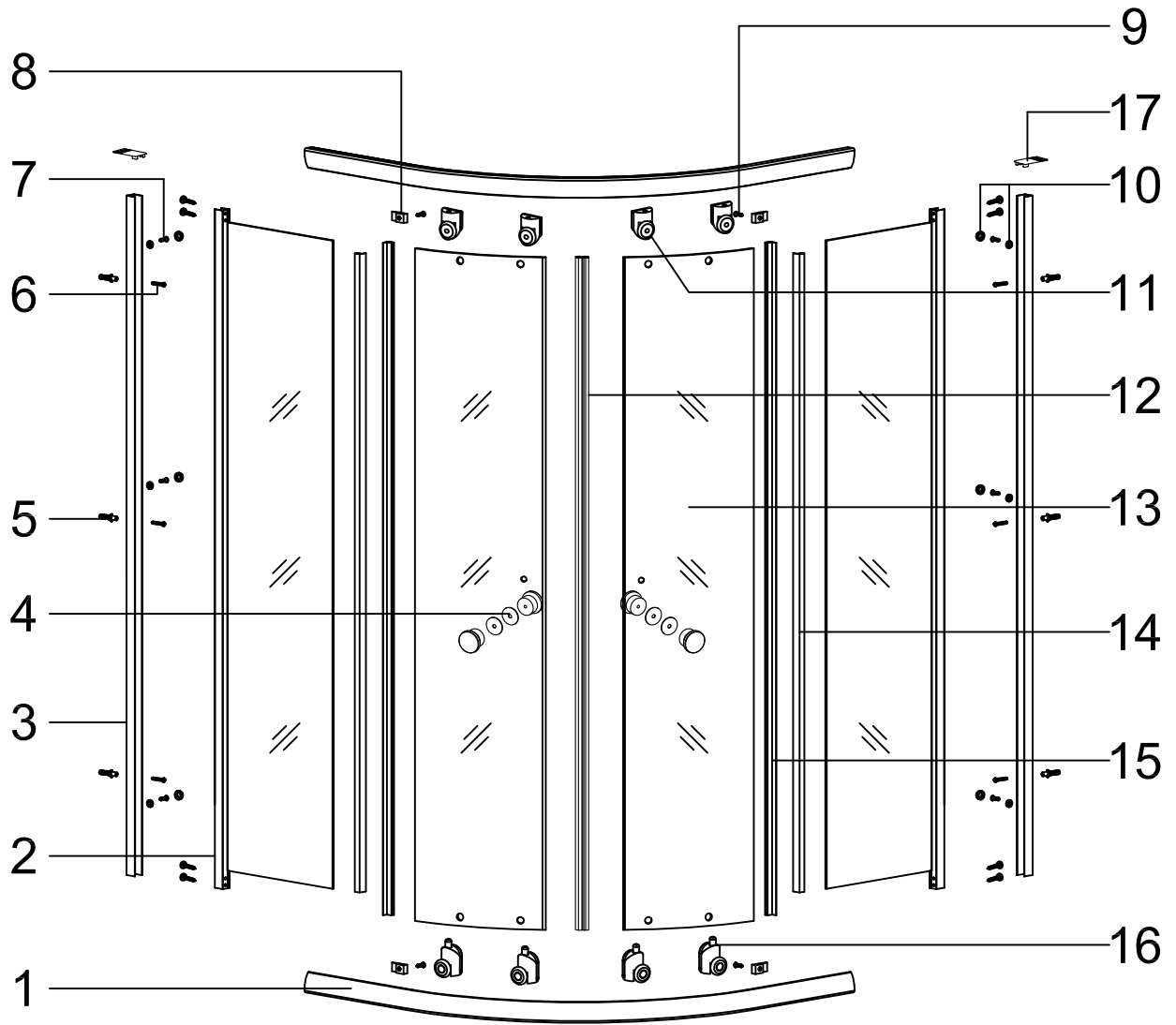
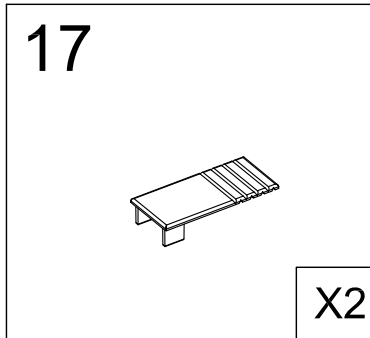
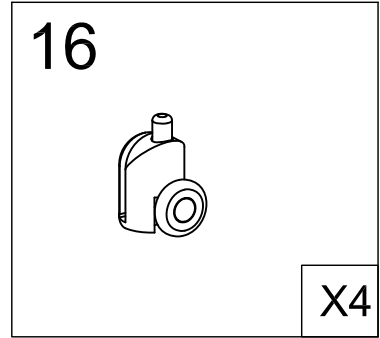
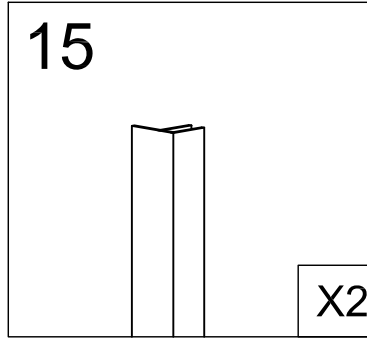
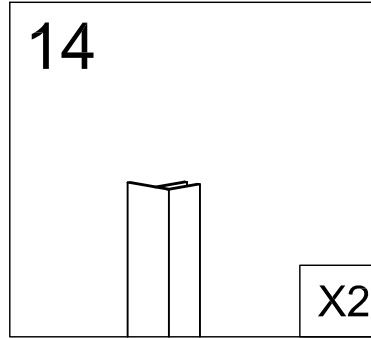
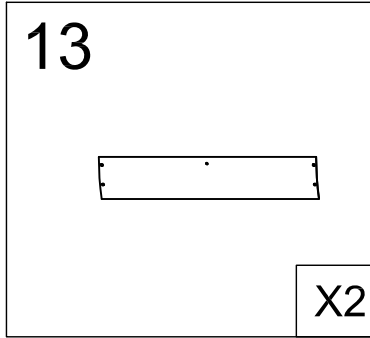
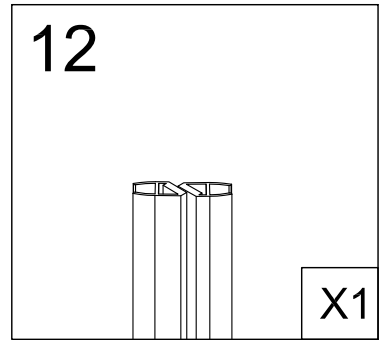
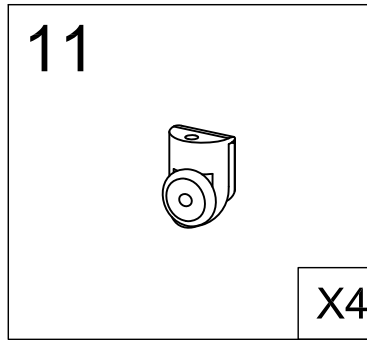
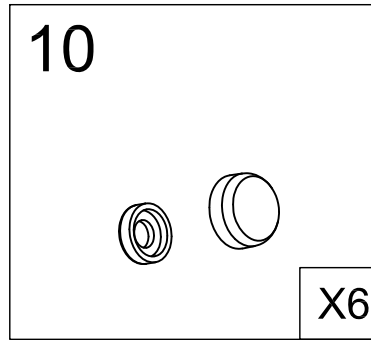
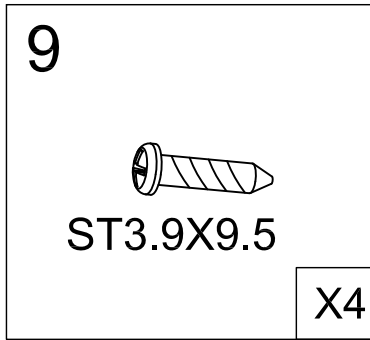
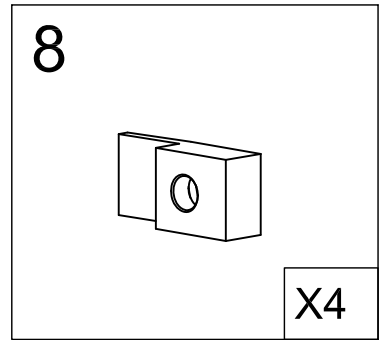
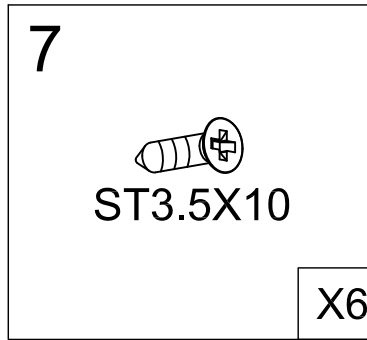
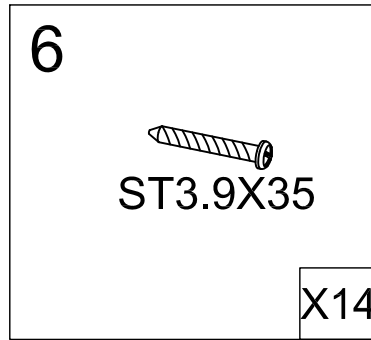
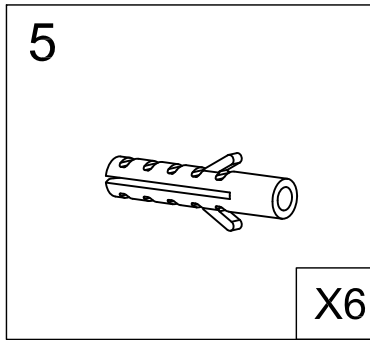
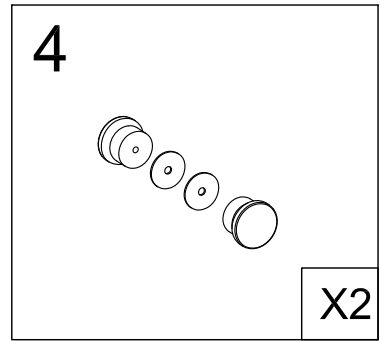
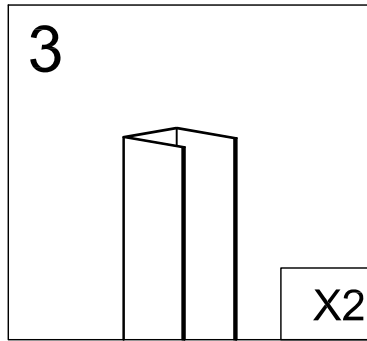
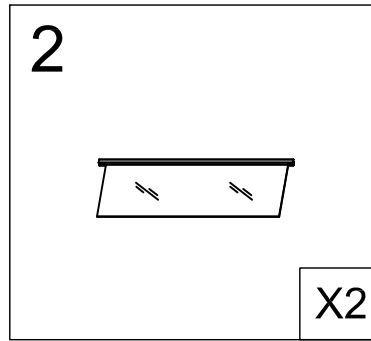
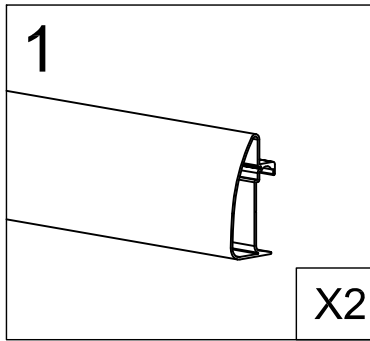
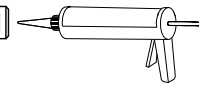
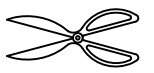
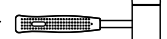
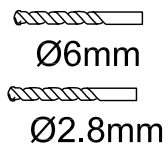
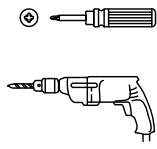
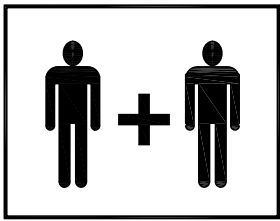
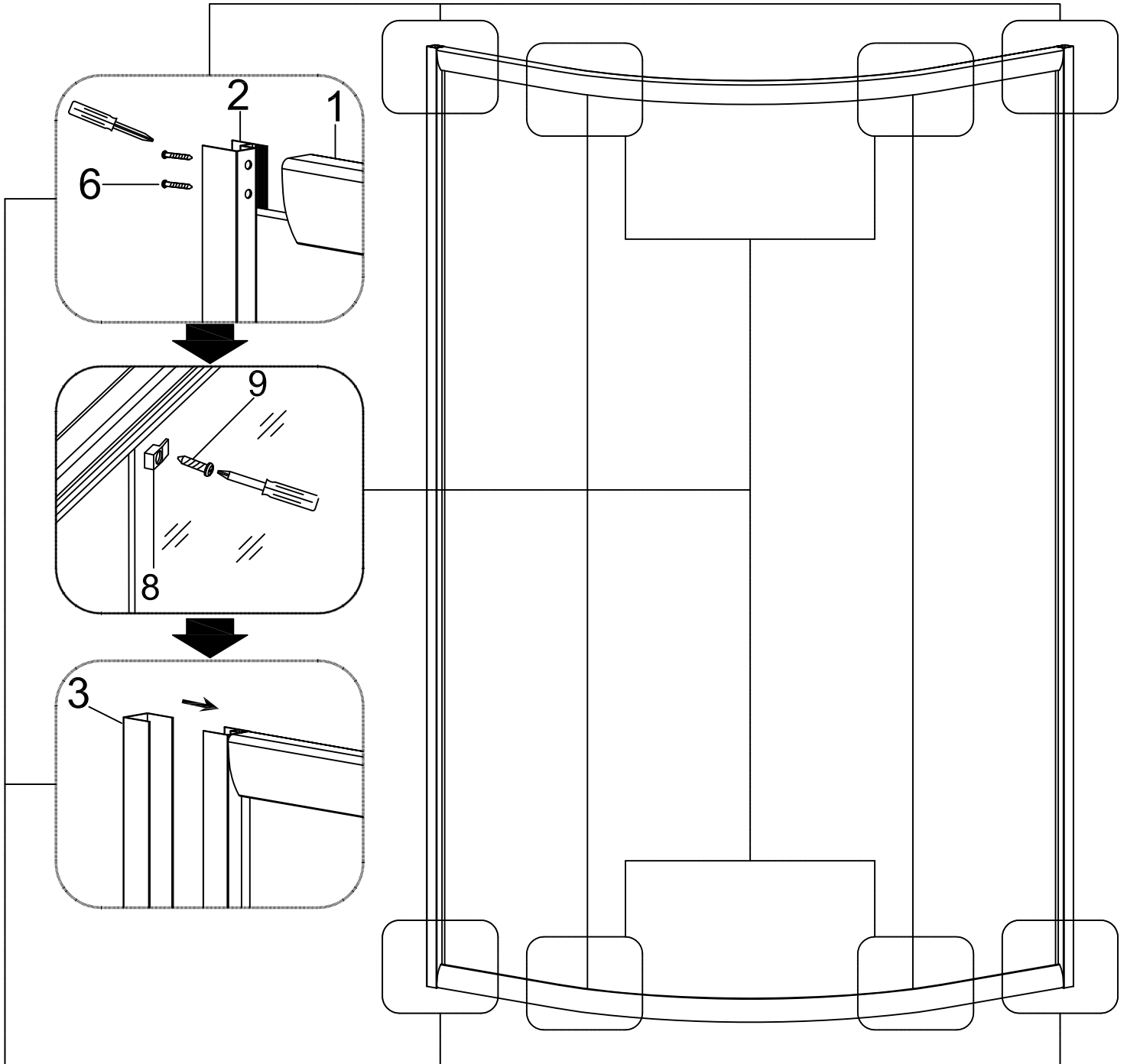
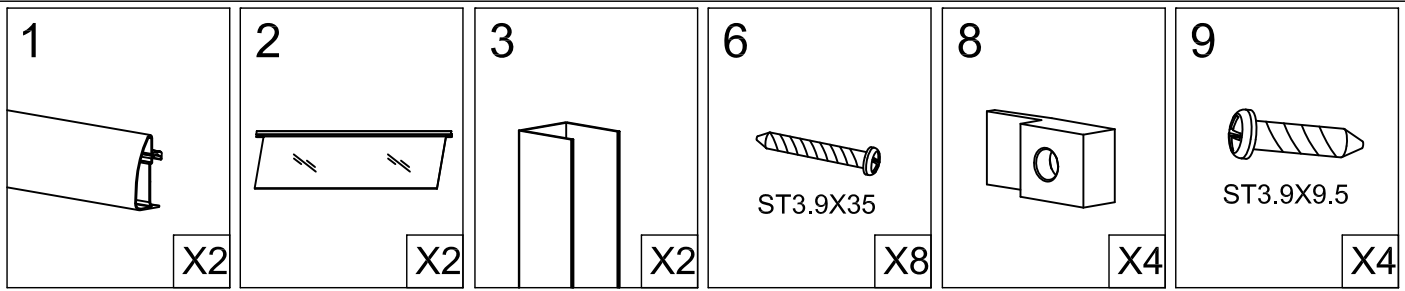
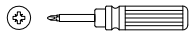


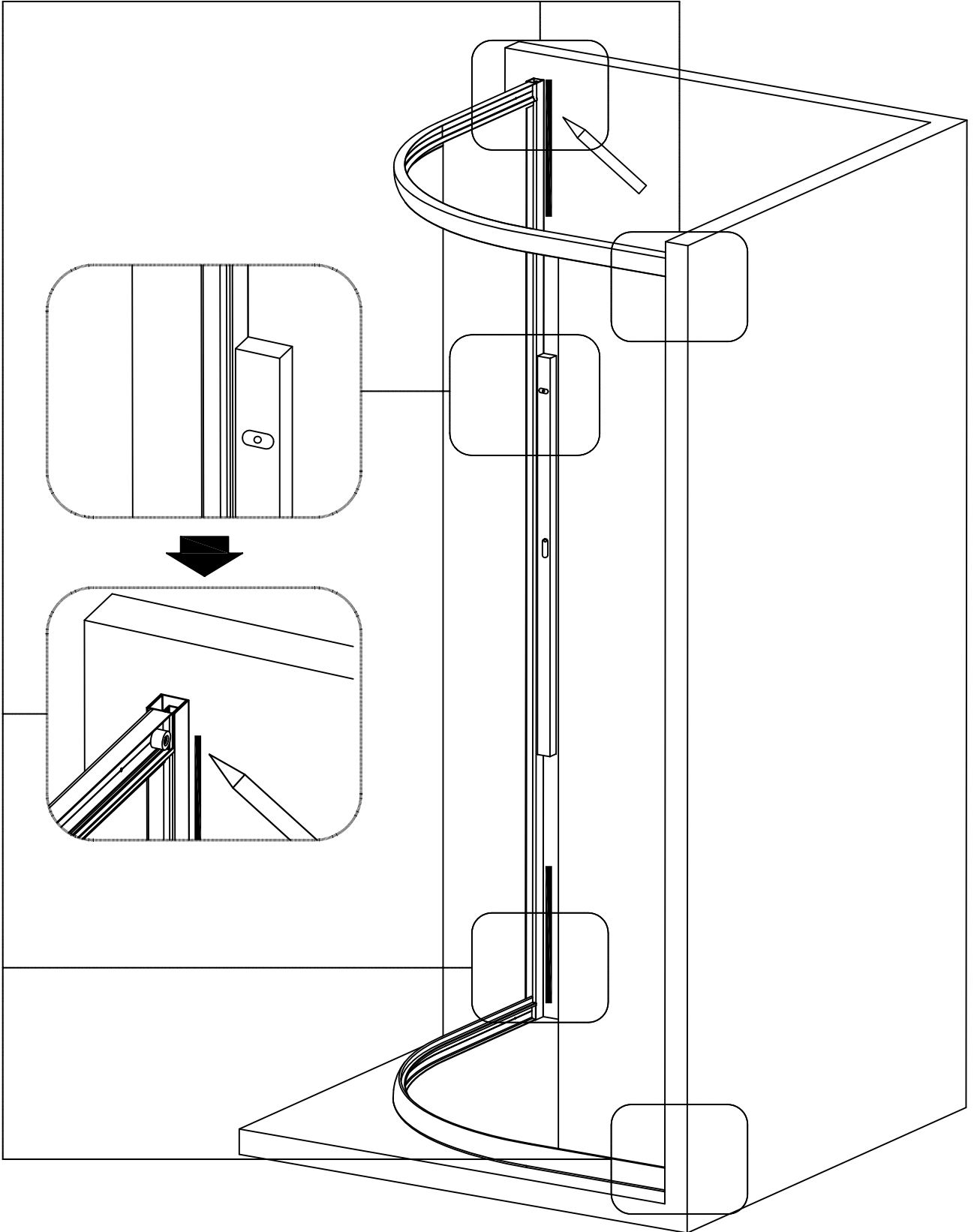
SESQ804 SESQ904

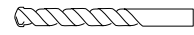
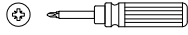
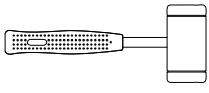
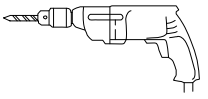






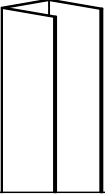






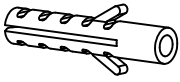
Ø6 Masonry drill bit

3



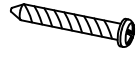
X2

5



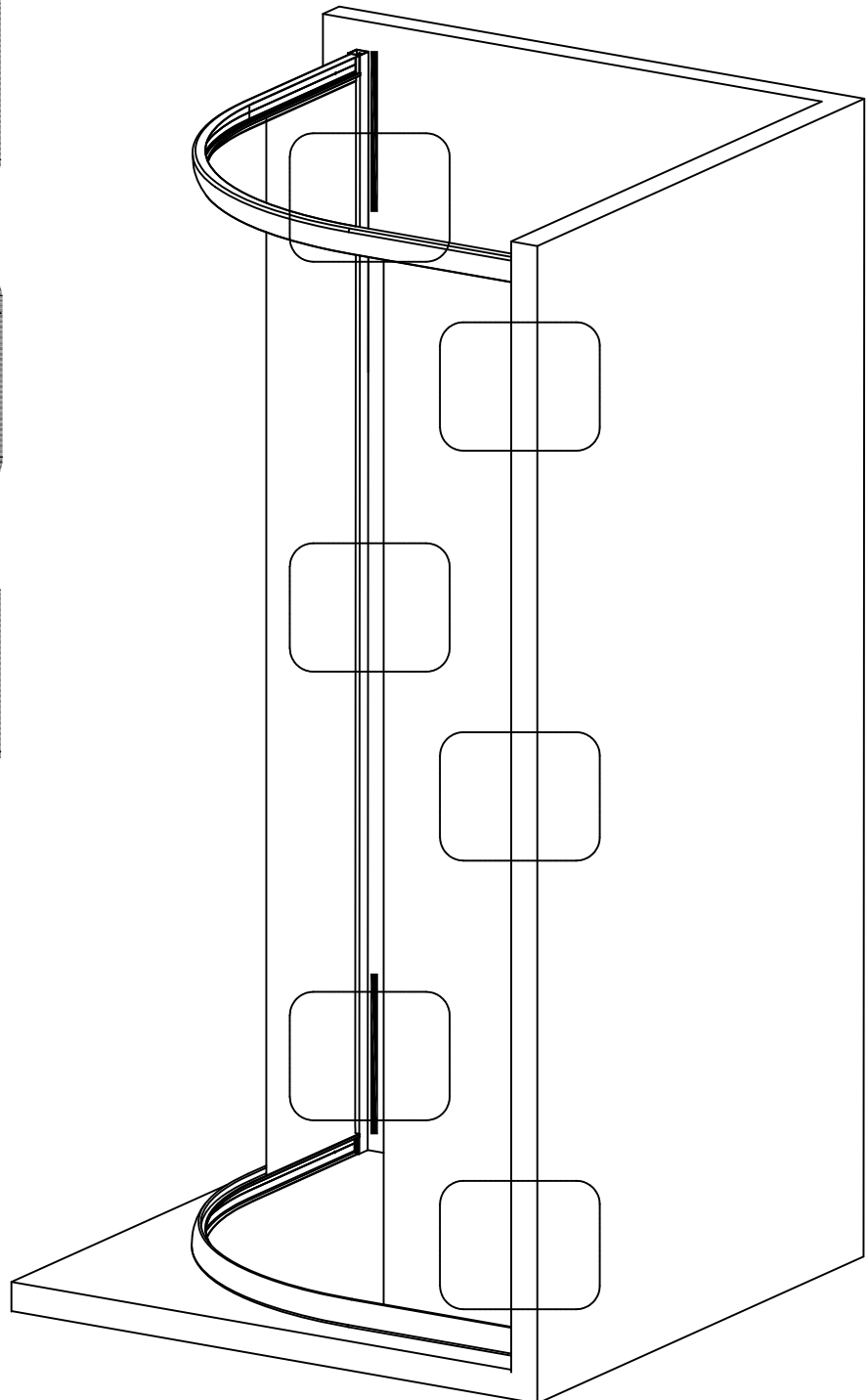
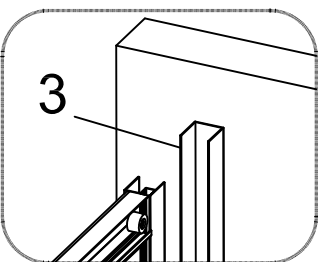
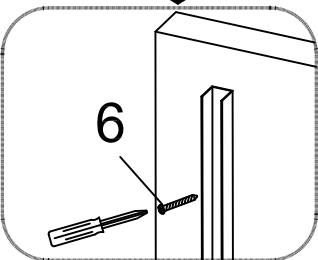
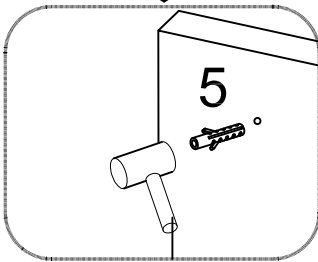
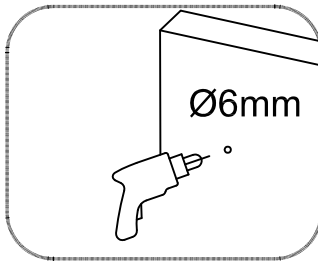
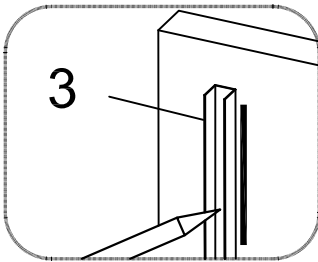
X6

6

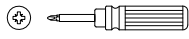


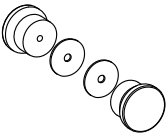
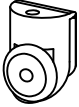
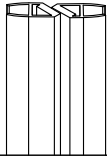
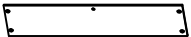



ST3.9X35

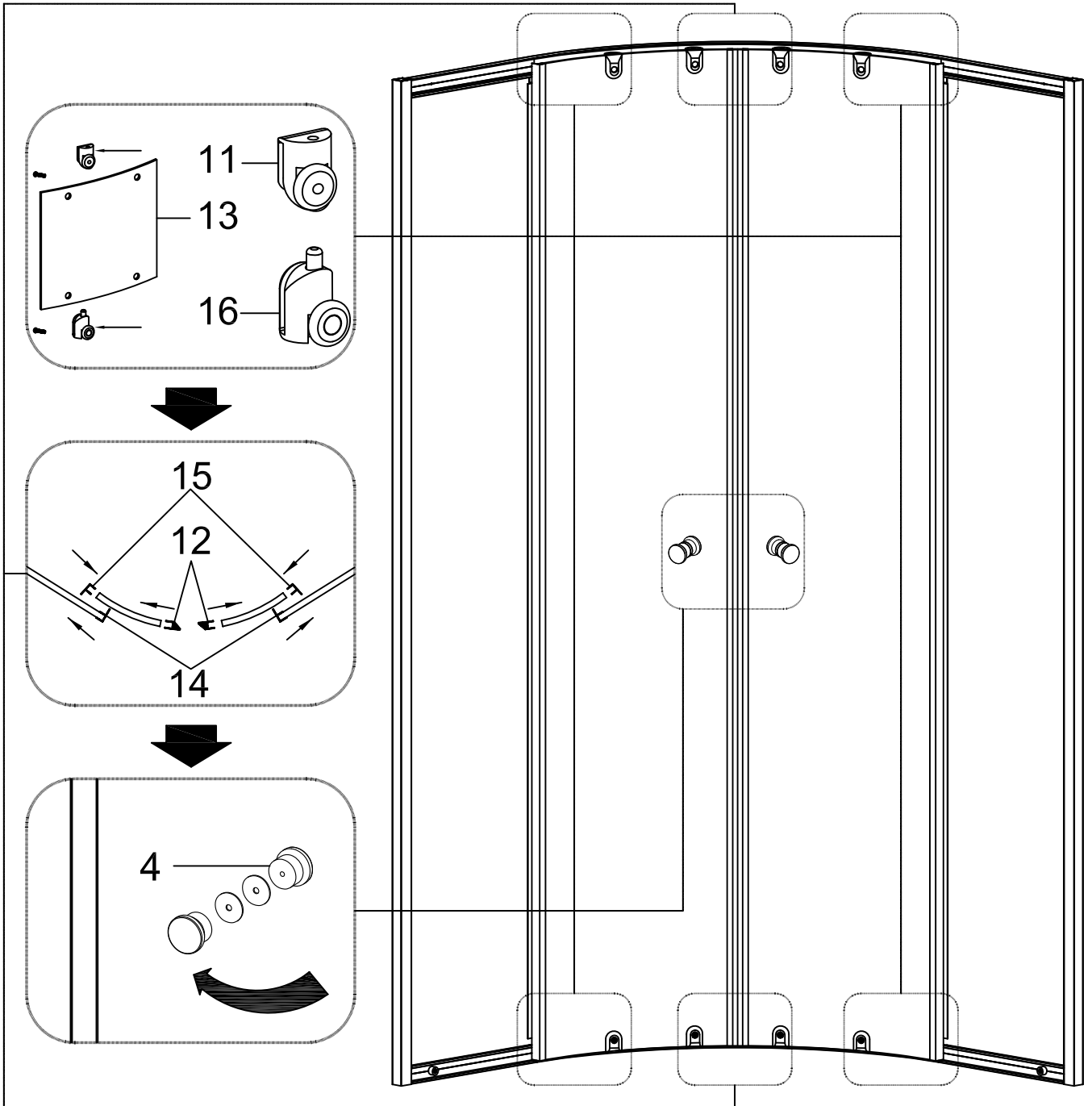
X6



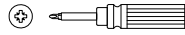
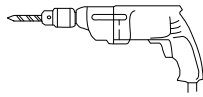
6



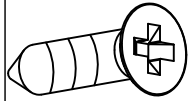
4  X2	11  X4	12  X1	13  X2	14  X2	15  X2	16  X4
---	---	---	---	--	---	---



Ø3mm HSS drill bit



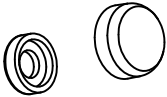
7



ST3.5X10

X6

10



X6

