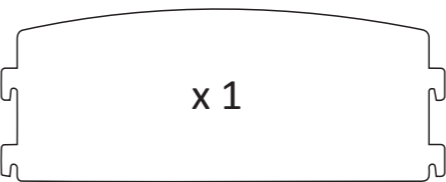
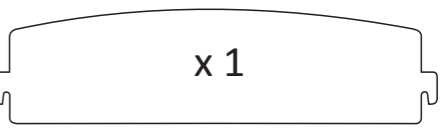
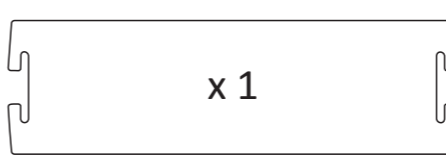
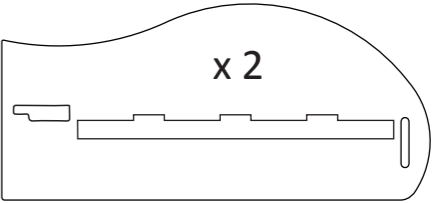
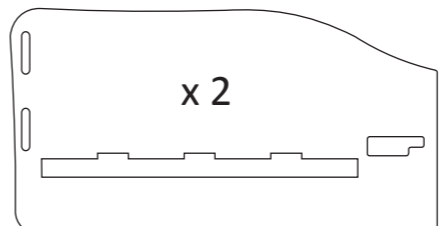
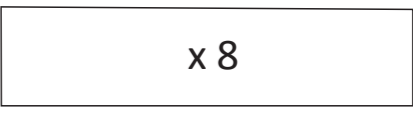
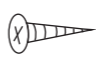
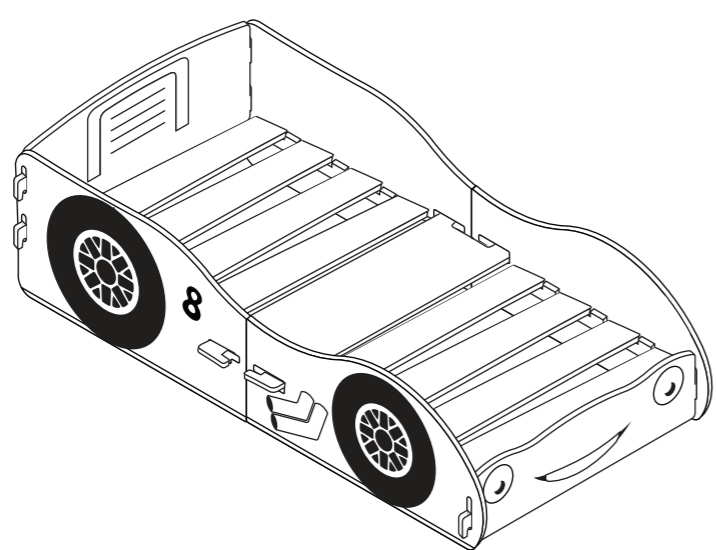


- A. Take the headboard (1) and slot in the back side panels (5). Do the same with the footboard (2) slot in the front side panels (4).
 B. Pull the front / back side panels (4 + 5) together, then insert the centre support (3) to the holes in the side on oneside, then repeat for the other side.
 C. Put slats (6) in place on the side panels (4 + 5).
 D. Take the screws (7) and put into the slats (6) with screw driver (not supplied).

PARTS LIST

1.  x 1	2.  x 1
3.  x 1	4.  x 2
5.  x 2	6.  x 8
7.  x 8	8.

- | | |
|--------------------|---------------------|
| 1. Headboard | 2. Footboard |
| 3. Centre Support | 4. Front Side Panel |
| 5. Back Side Panel | 6. Slat |
| 7. Screw | 8. |



The JUNIOR BED is now complete, please read the user guide notes to maintain the unit to its highest standard.

USER GUIDE

Thank you for choosing a KIDSAW product. Please take a little time to read the important safety notes detailed below. This will ensure many years of happy, safe use.

SAFETY: TAKE NOTE

- Keep this product away from fire and direct heat sources.
- Only use spares approved by KIDSAW.
- Always clear the junior bed before dismantling.
- Adult assembly required.

CARE & MAINTENANCE

- All surfaces should be wiped over using a damp cloth to clean.
- Never clean with abrasive, ammonia based, bleach or spirit type cleaner

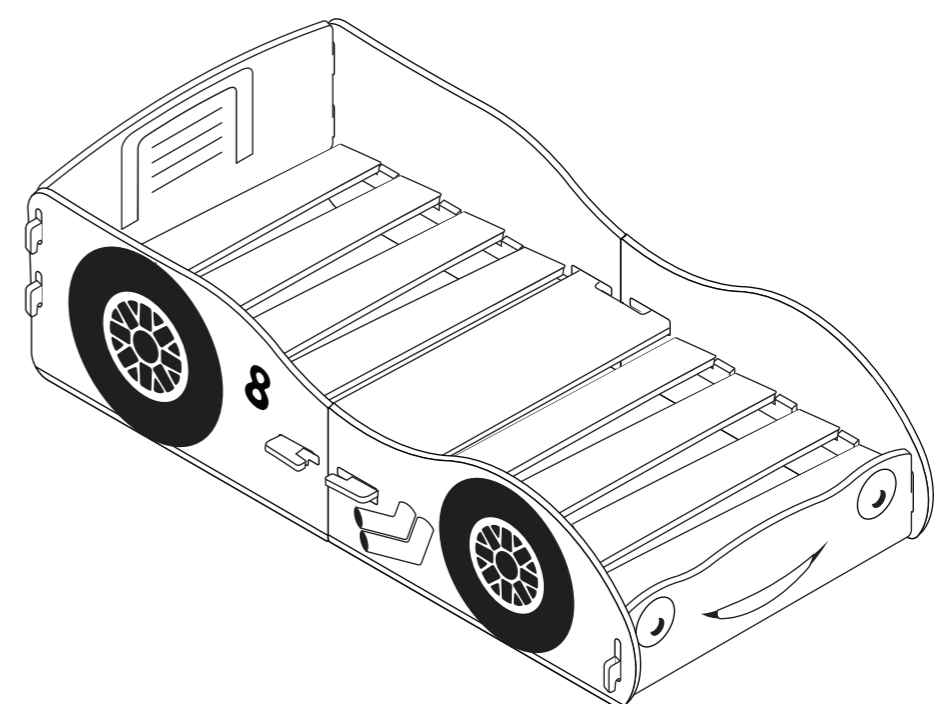
**IMPORTANT
KEEP FOR FUTURE REFERENCE & READ CAREFULLY**

**RACING CAR
JUNIOR BED**

Follow us on
facebook



www.facebook.com/kidsaw



INSTRUCTIONS

KIDSAW
MAKES FURNITURE CHILDS' PLAY