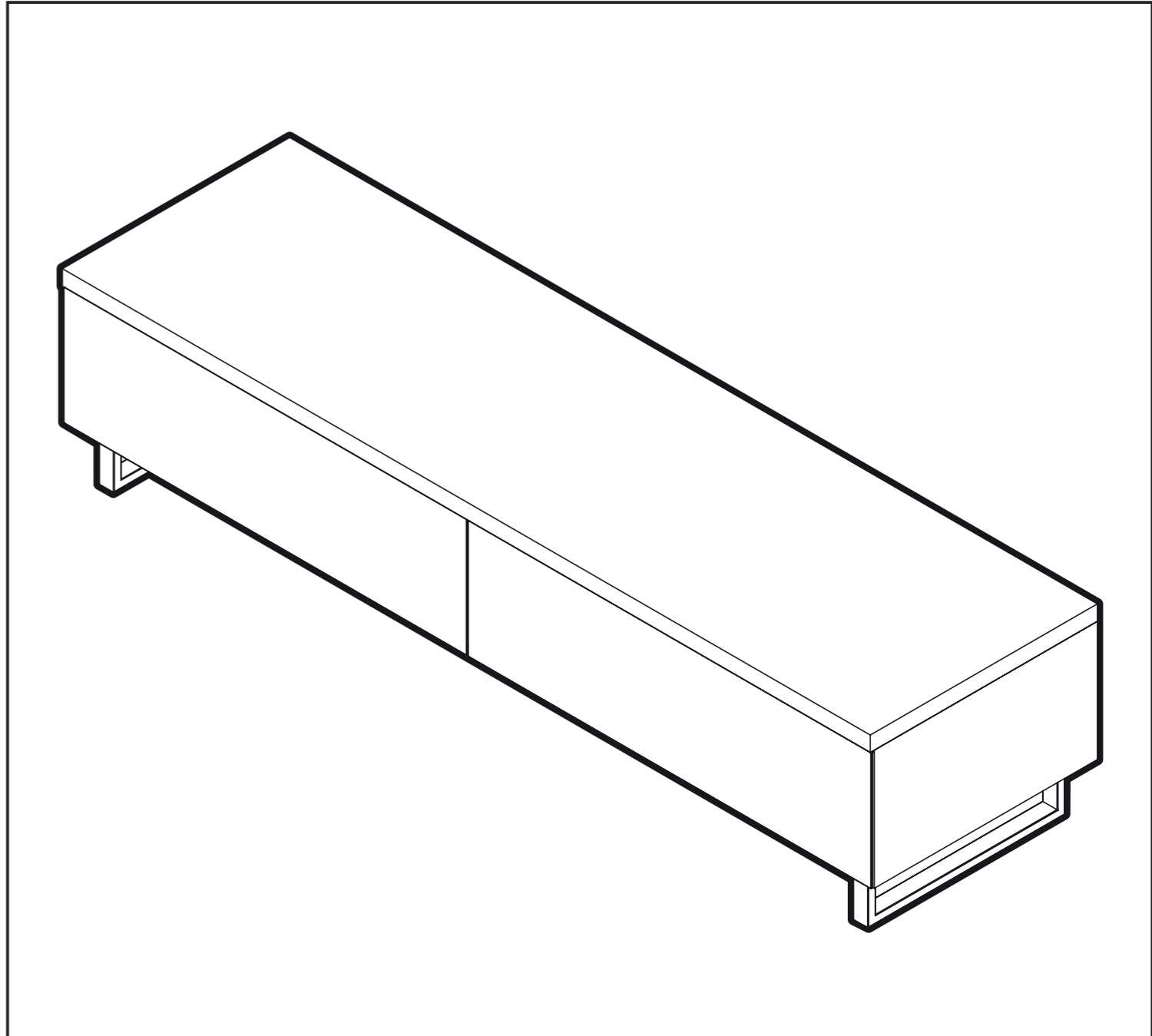
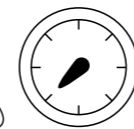


Product Name: PANORAMA
Product Ref: PM120
Art number: 407280/407281/407283
Product Ref: PM160
Art number: 406420/406421/606423



Care Instructions:

- This product uses real wood veneer. Slight colour change over time due to exposure to natural light is to be expected.
- Avoid direct sunlight as this can produce colour changes in the areas affected.
- Colour and pattern variation is to be expected with this natural material and does not constitute a product defect.
- Clean all surfaces using a soft damp cloth. A suitable furniture polish can be used if required.
- Do not use abrasive cleaners.
- Do not place hot or cold items in direct contact with any part of this product.
- Take care not to overtighten any part of this assembly.



= 75mins
 = 50mins



TECHLINK, A Division Of Tapehand Ltd.
Units 7 and 8 Bat and Ball Enterprise Centre
Bat and Ball Road
Sevenoaks
Kent
United Kingdom
TN14 5LJ



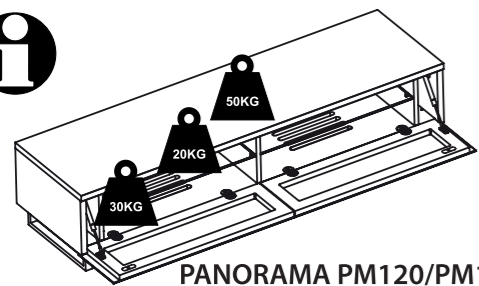
(UK)Free Phone 0800 634 2699
(US)Toll Free (844) 499-1159



salesdesk@techlink.uk.com

Web

www.techlink.uk.com
www.recharge.uk.com



PANORAMA PM120/PM160



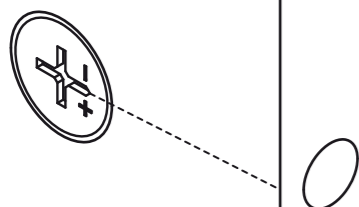
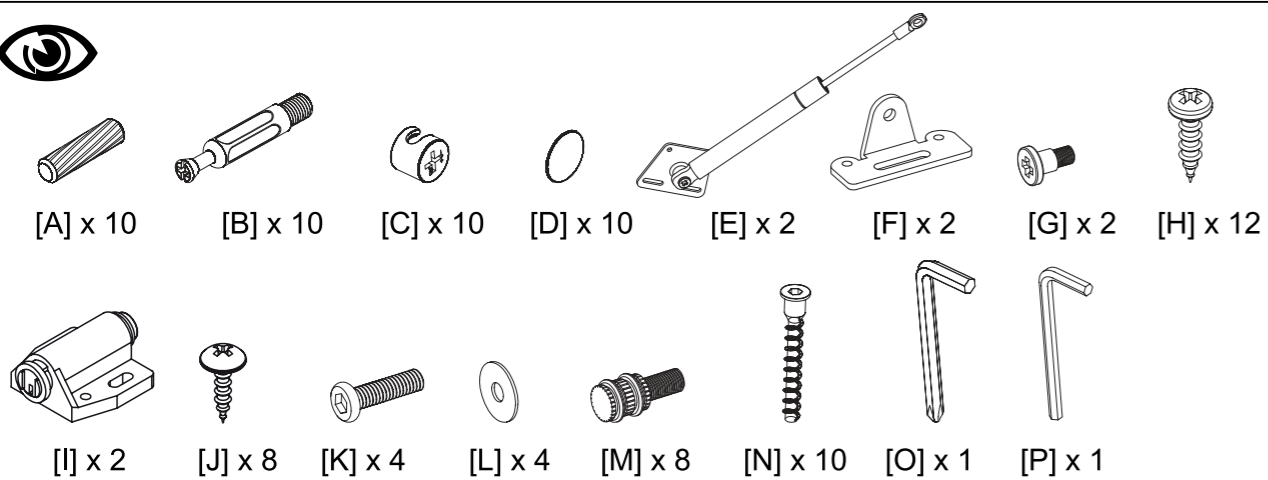
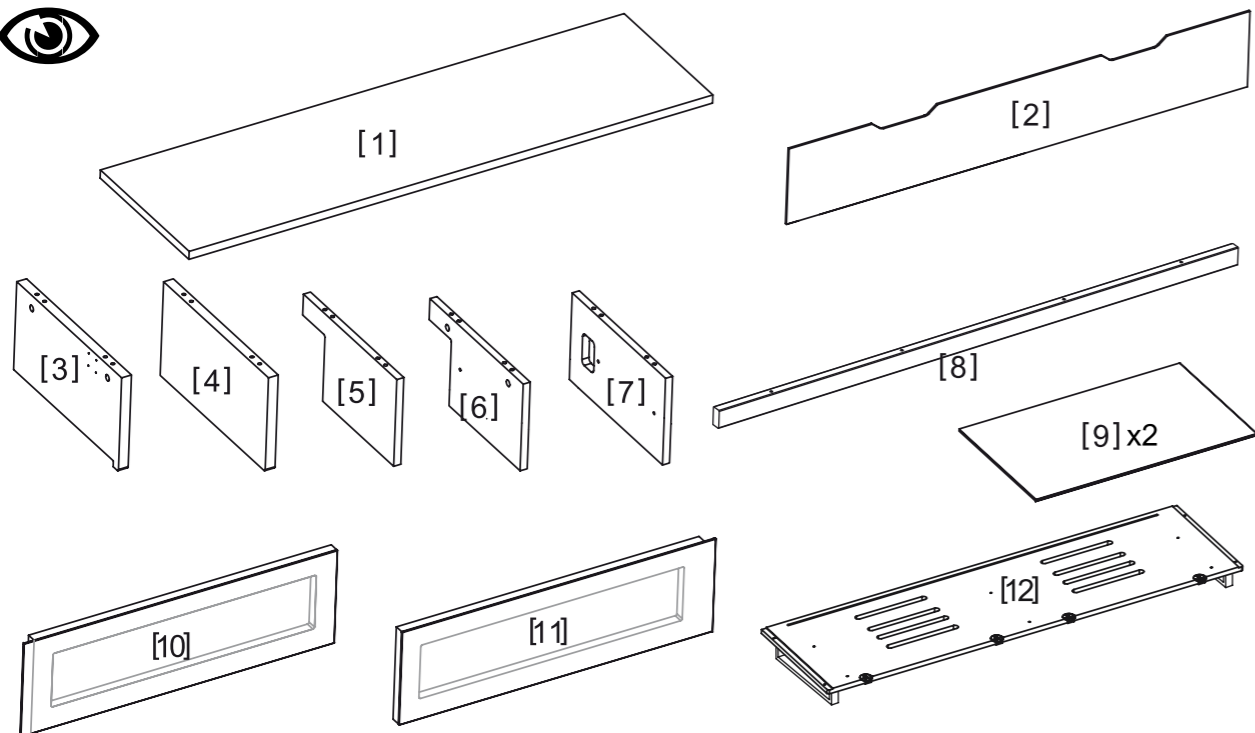
Take care not to overload the stand.



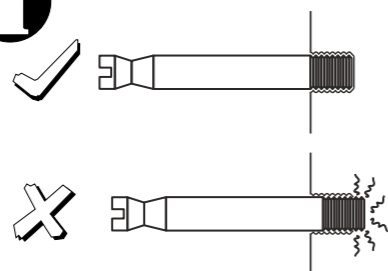
Build the stand on a soft surface to prevent risk of scratching.



Take extra care not to over tighten any screws as this may cause damage!



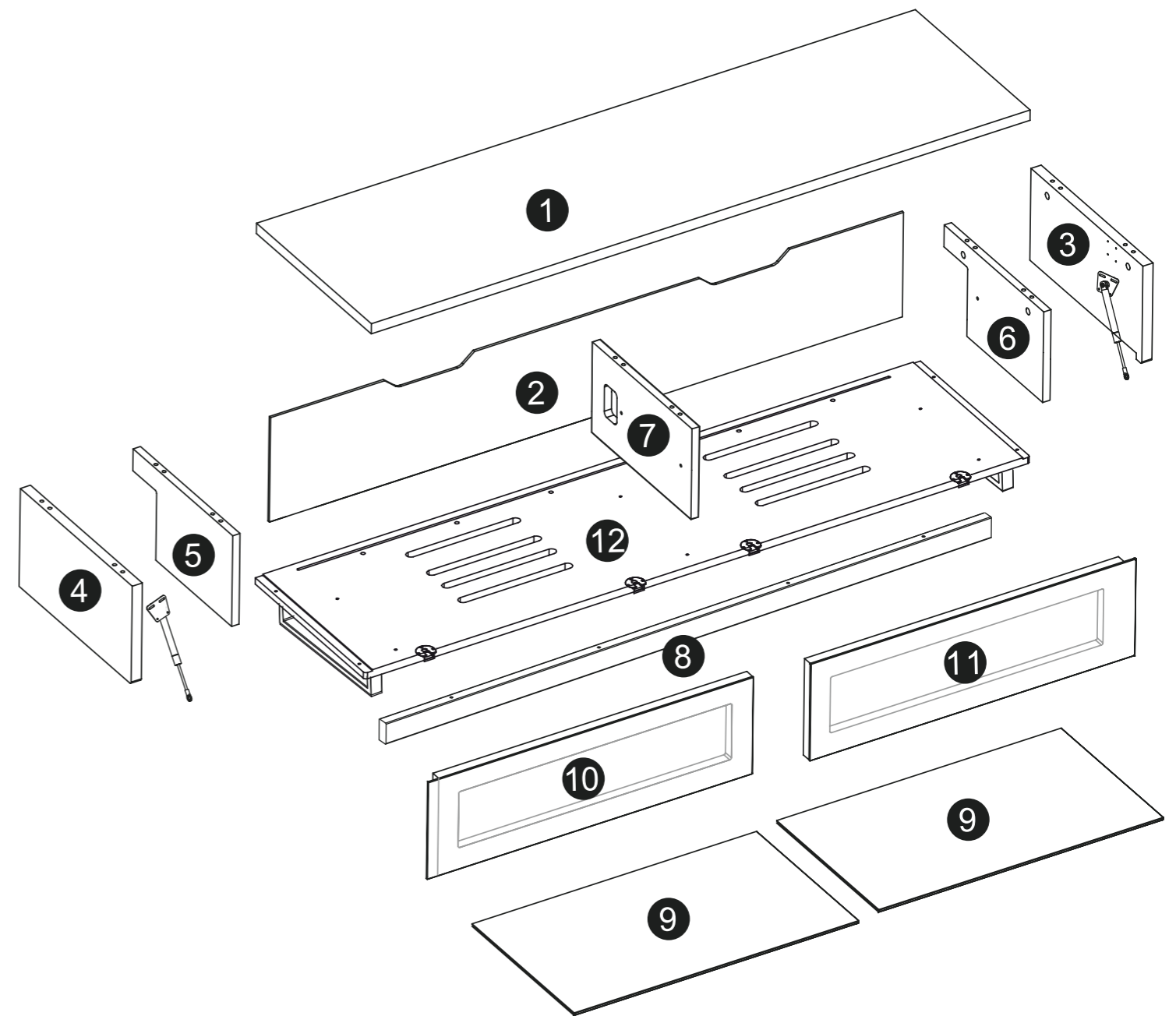
Make sure the arrows on all part C are aiming towards the panel edge when inserted.




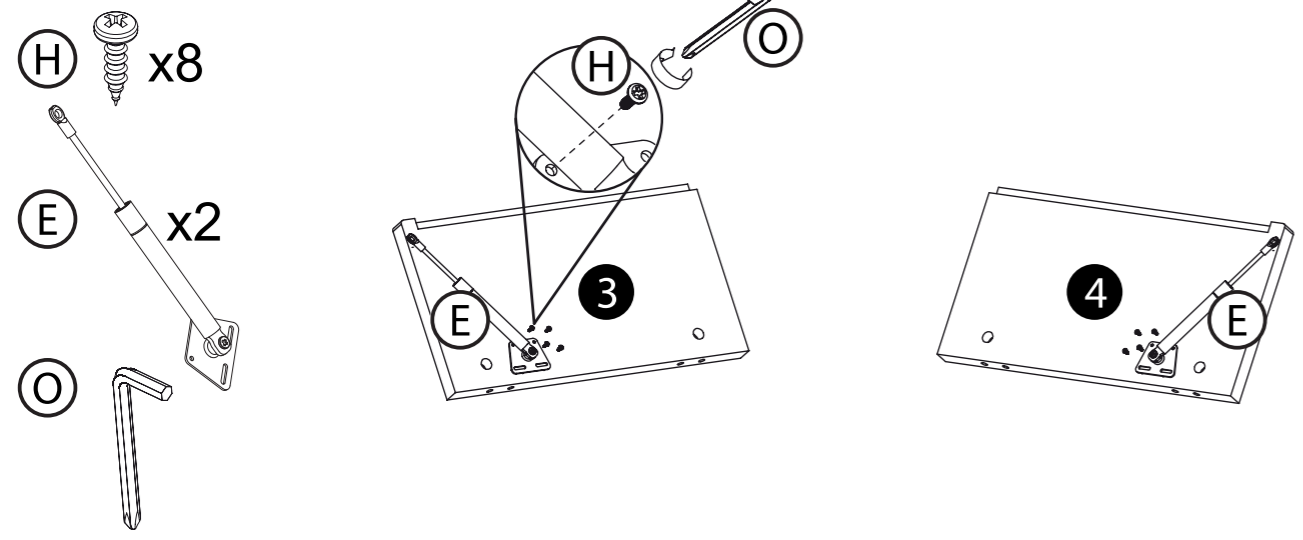
Make sure not to over tighten any part B as this could cause damage or error in alignment of panels.



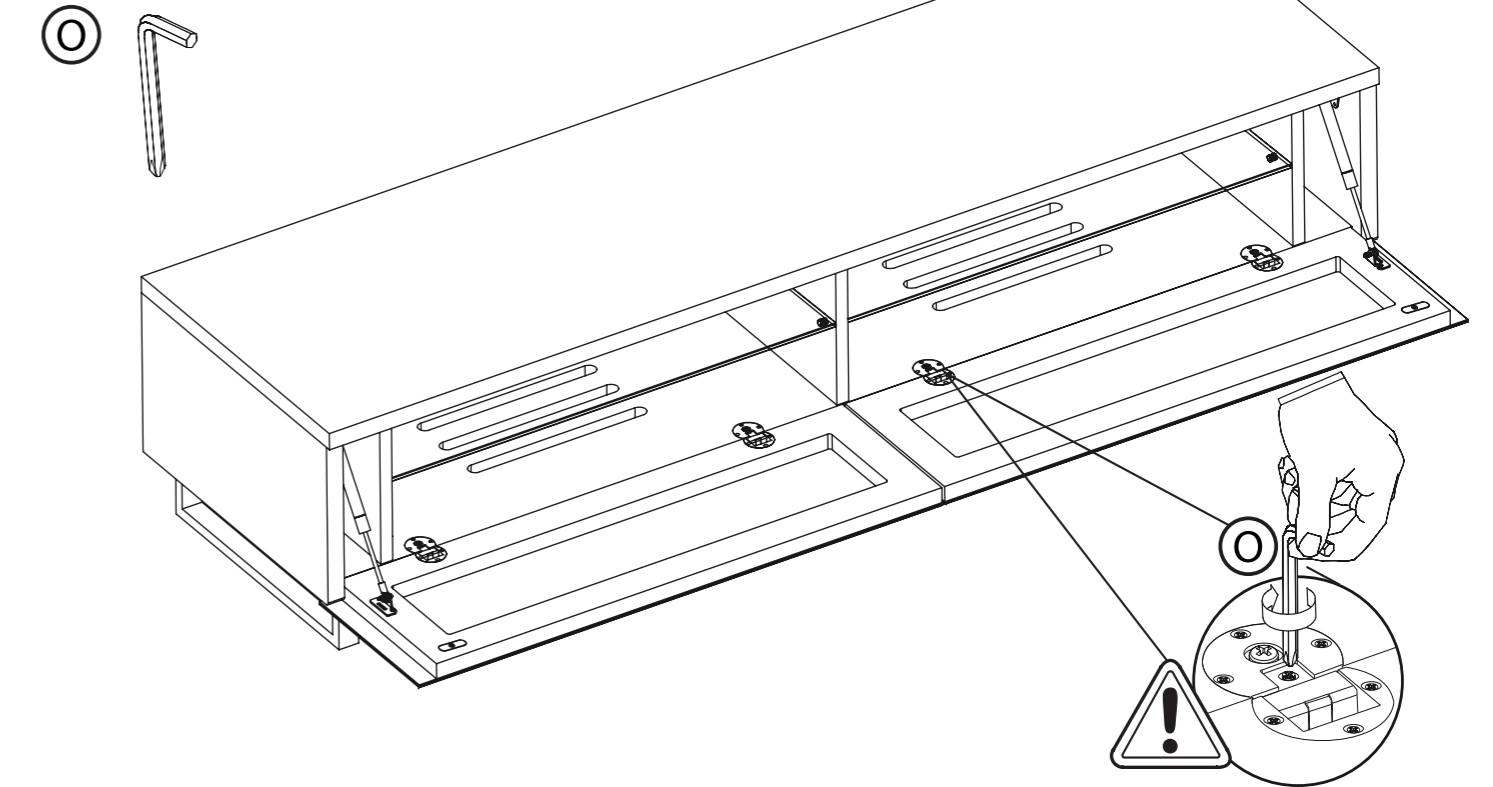
Some construction steps may be easier with proper tools.



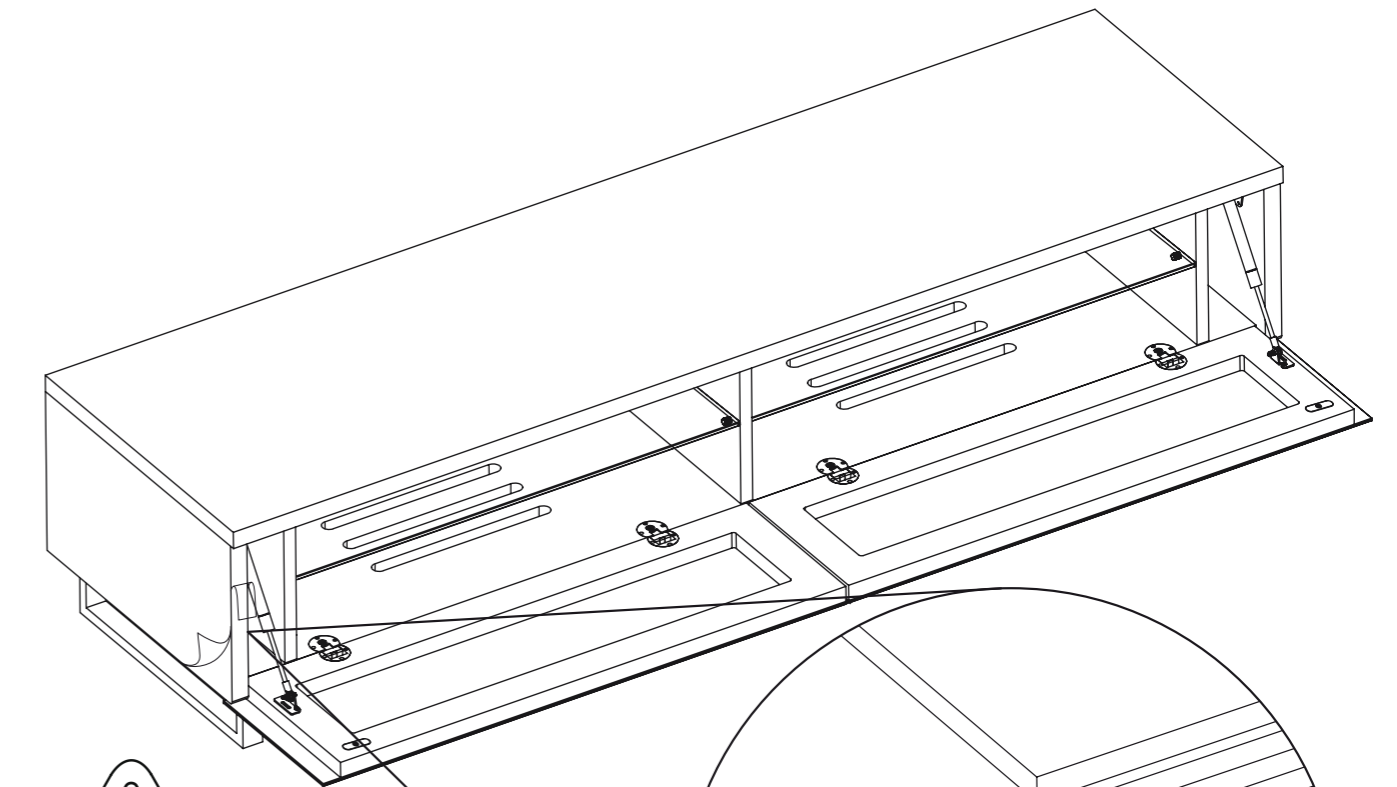
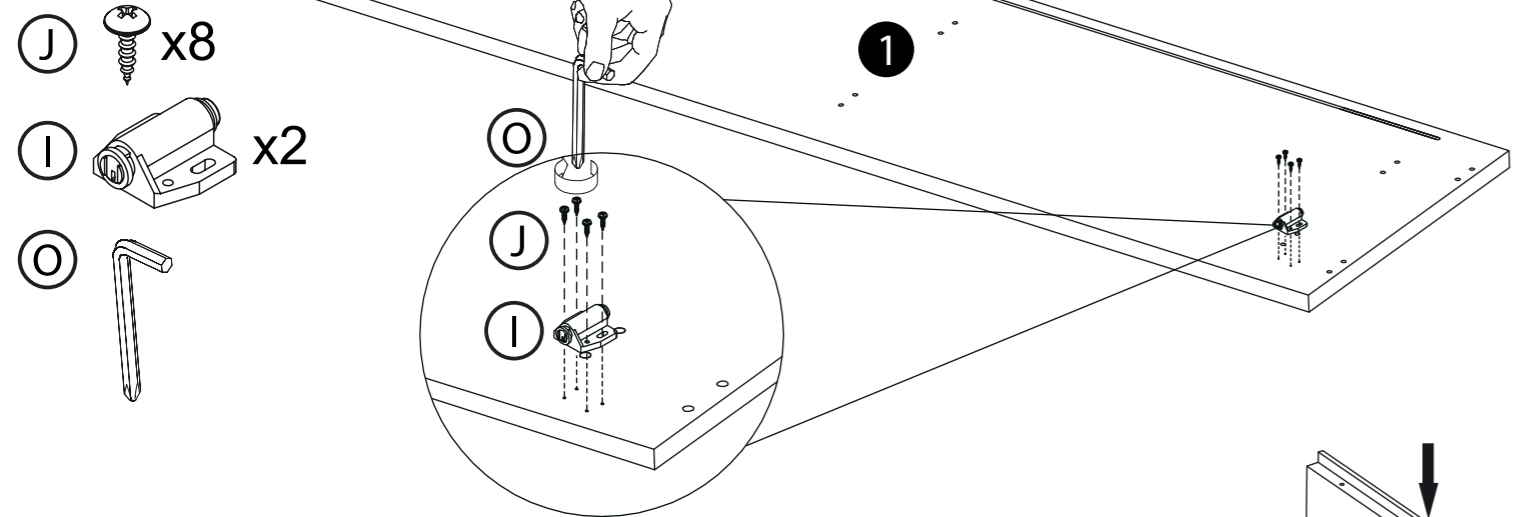
1  Take extra care not to over tighten any screws as this may cause damage!



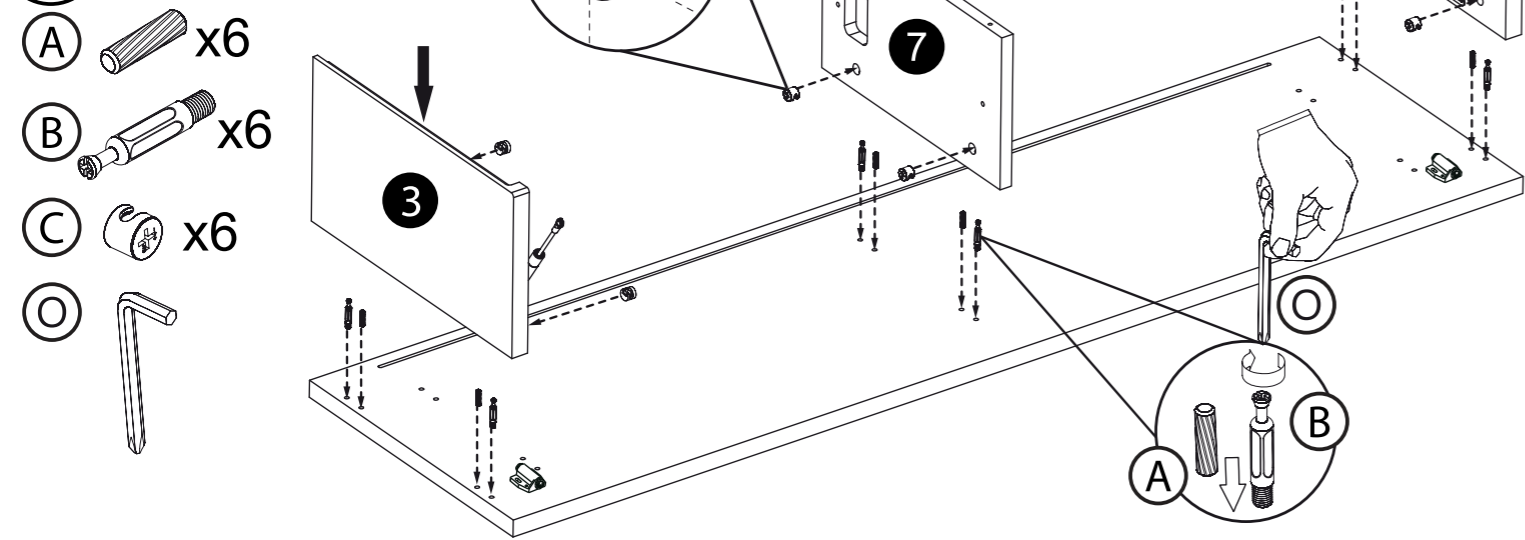
14 **ADJUST**
If the doors dont close properly adjust the hinges slightly to fix alignment.



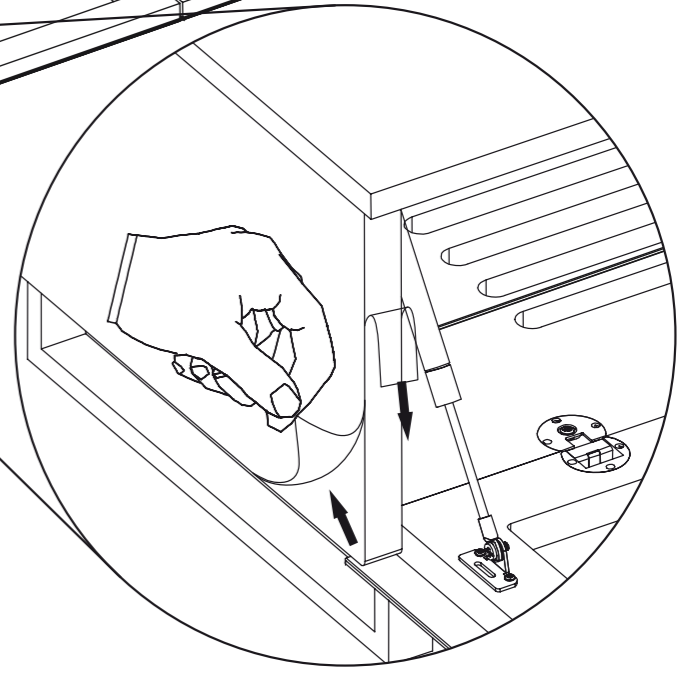
2

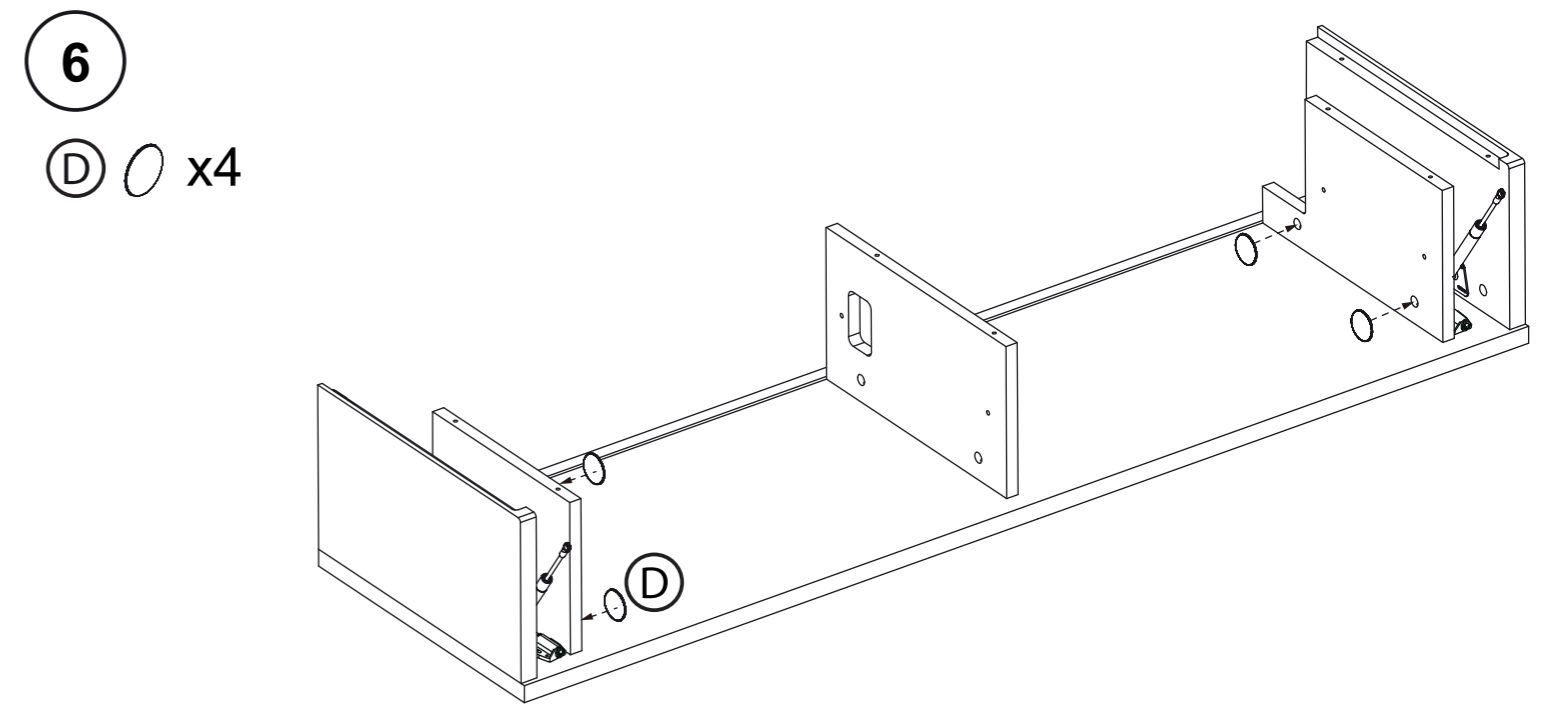
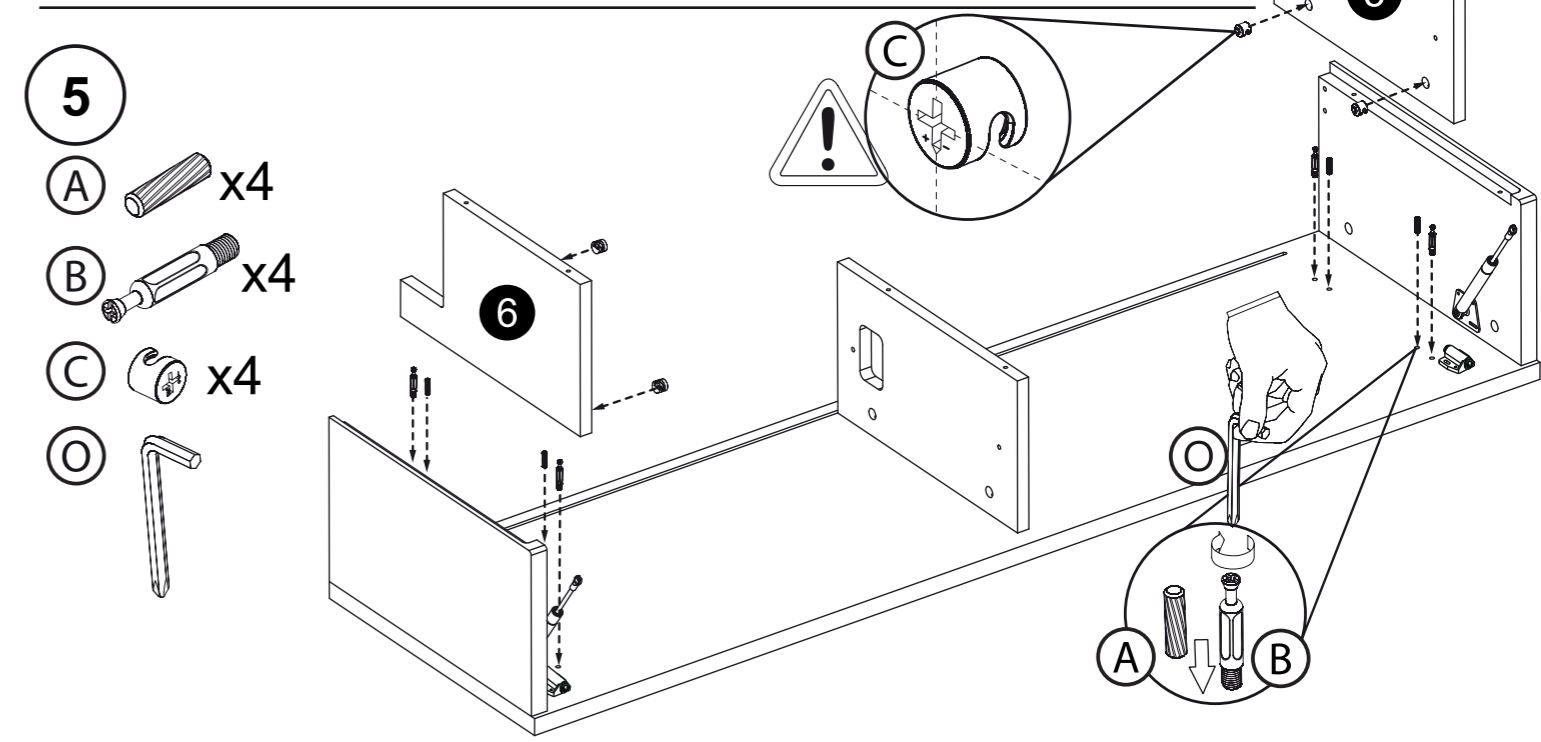
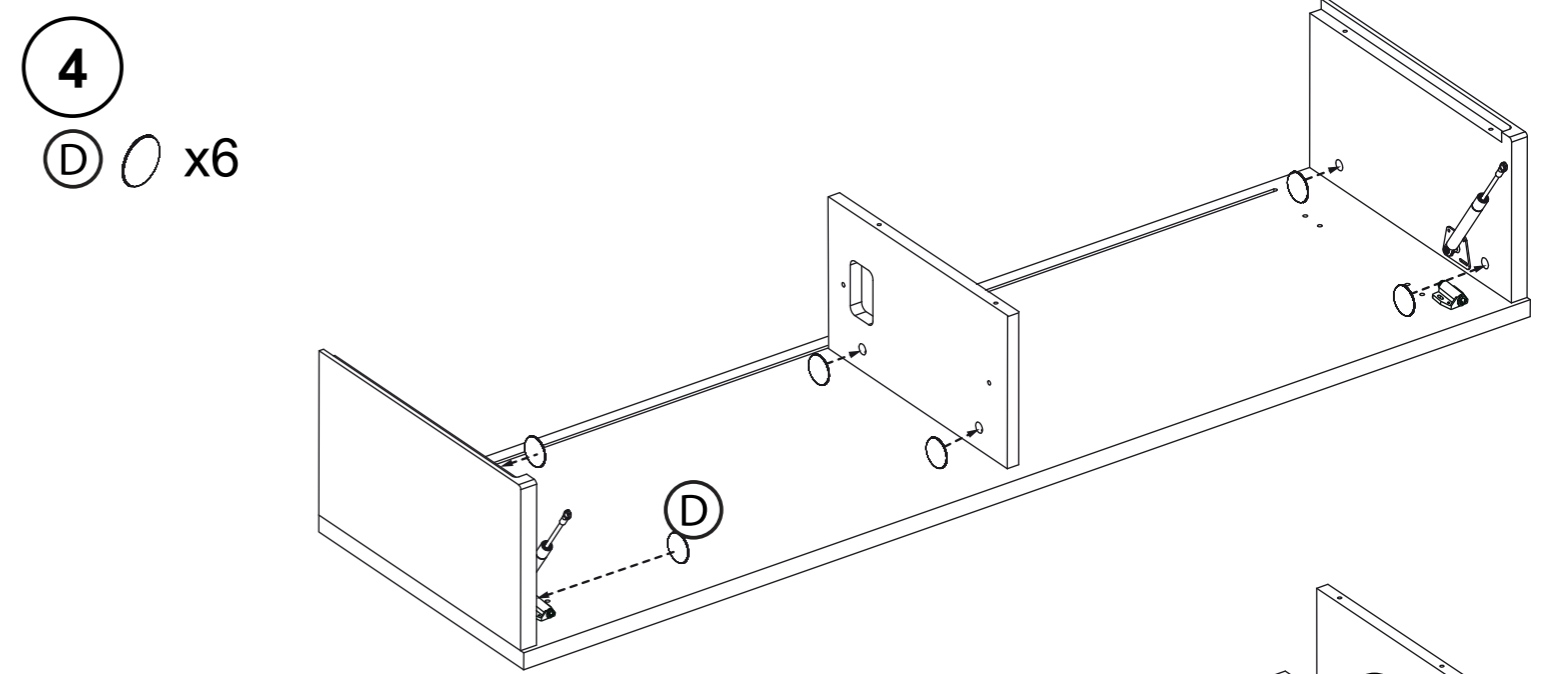
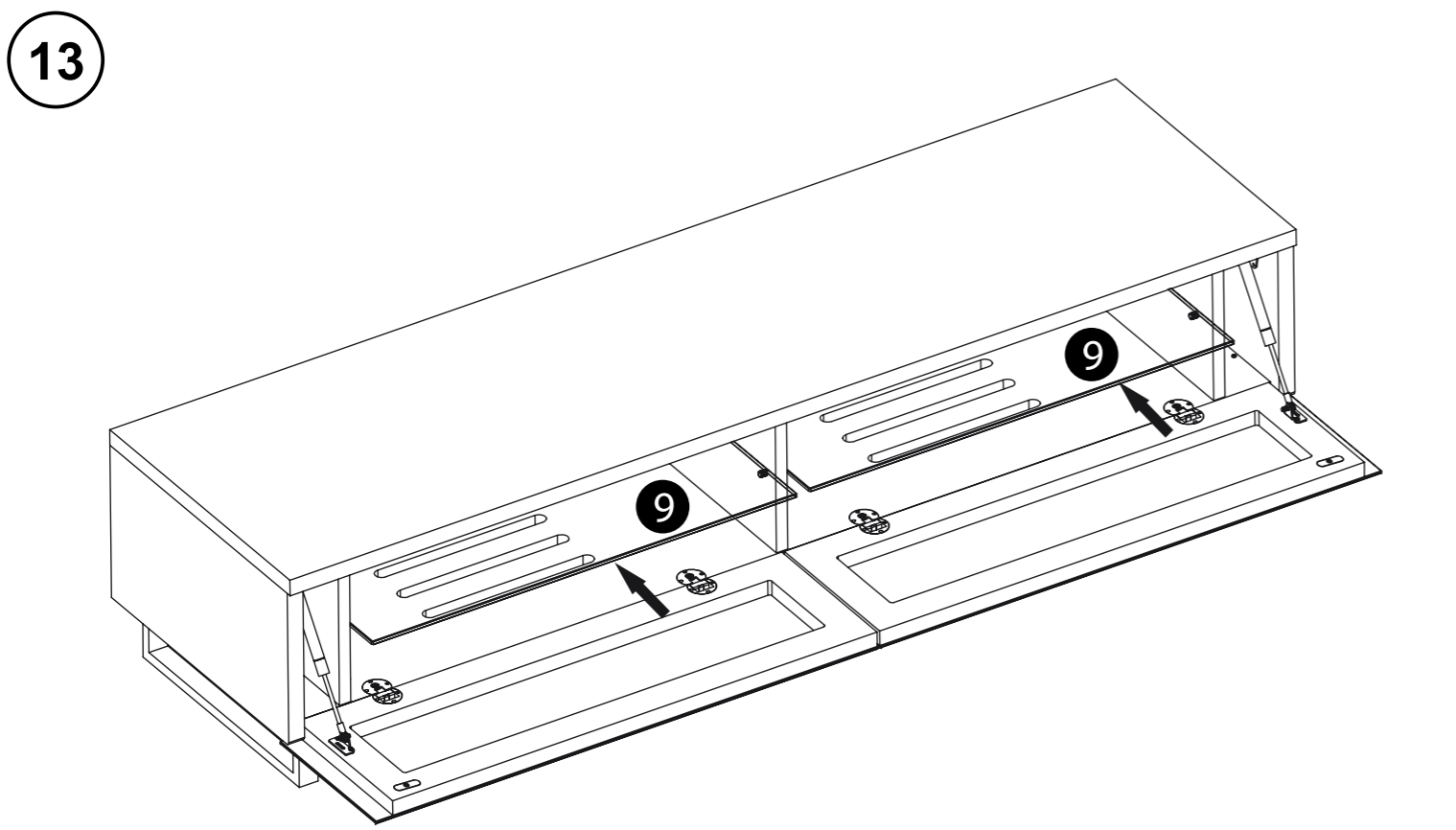
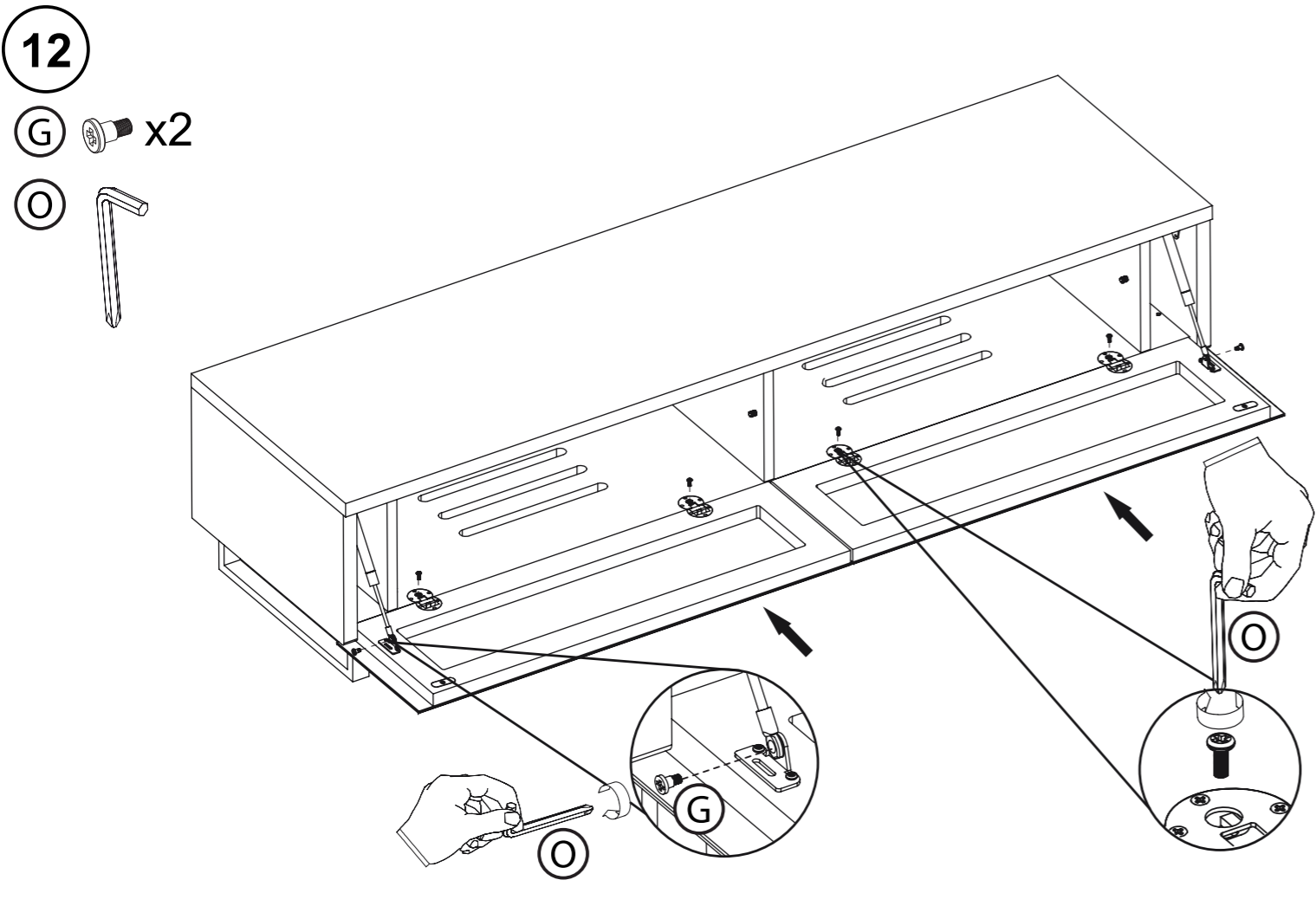


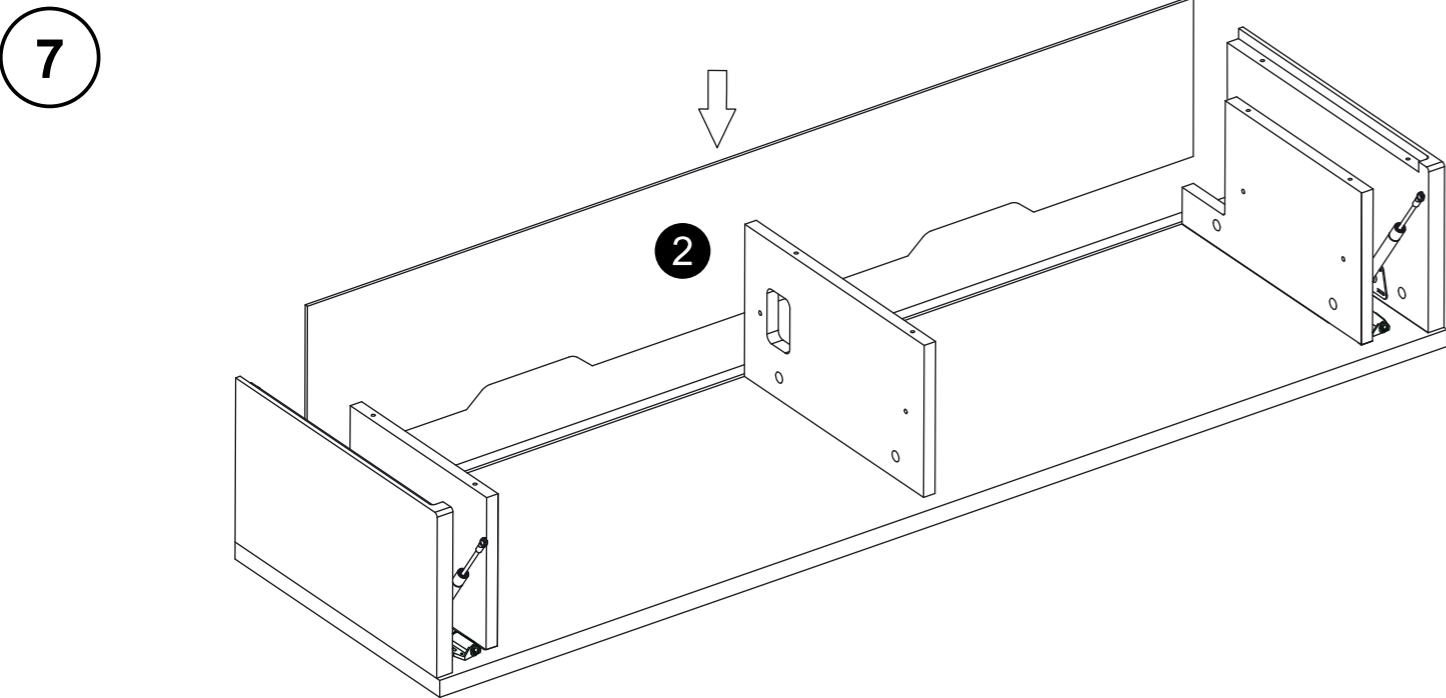
3




Remove protective film from the side panels to show high gloss finish.

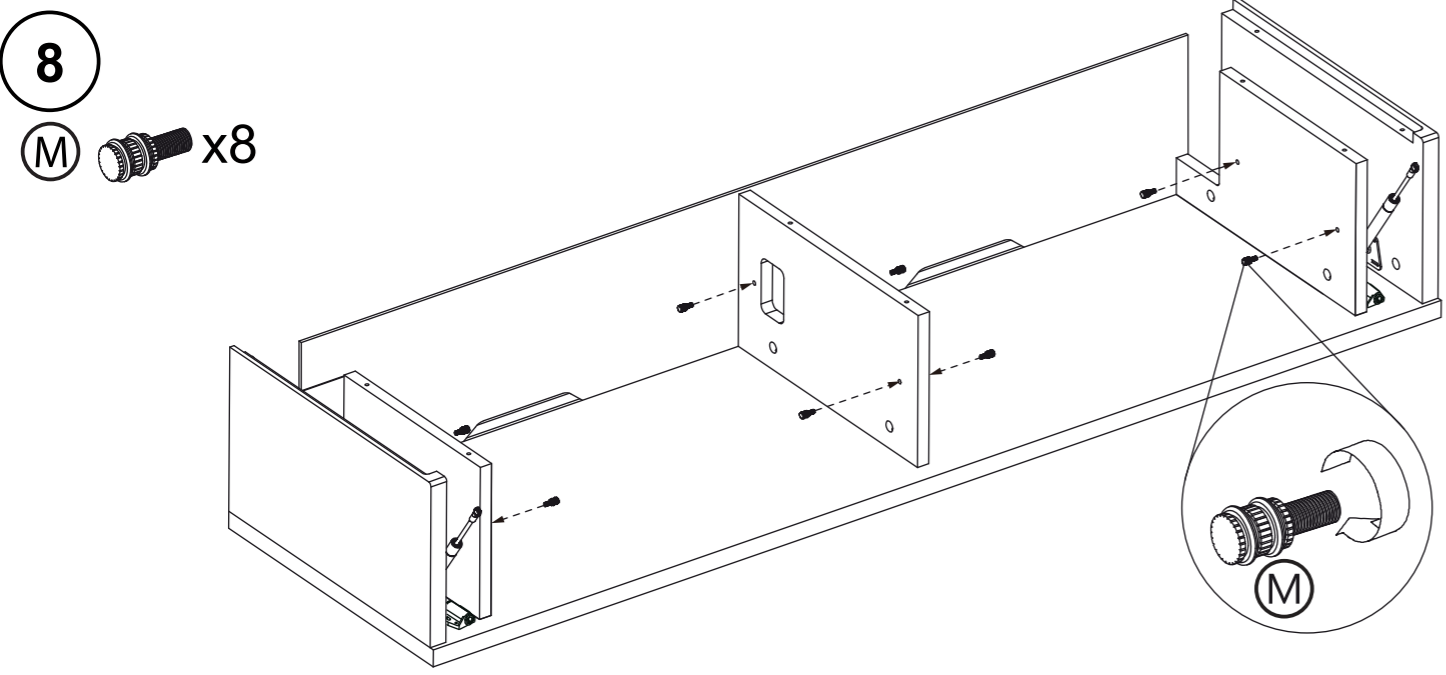
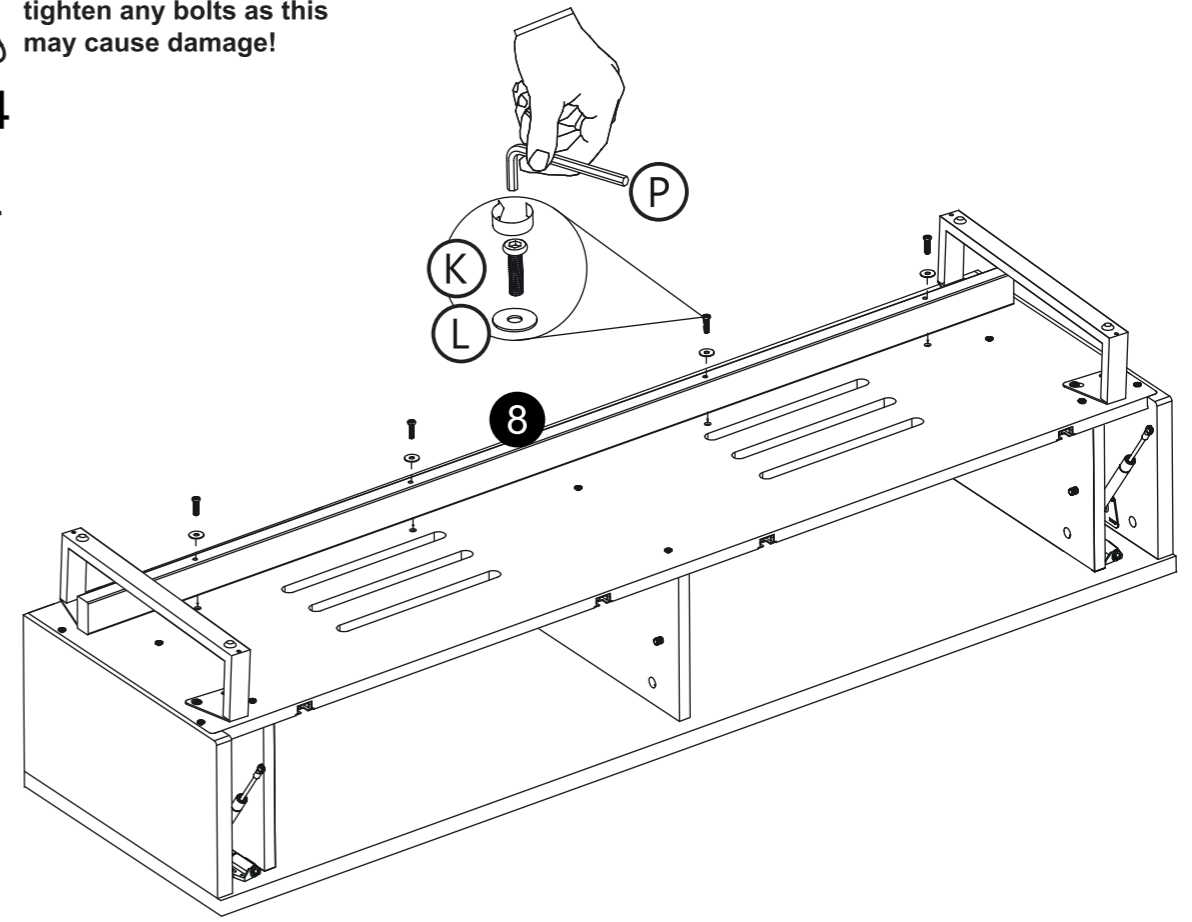






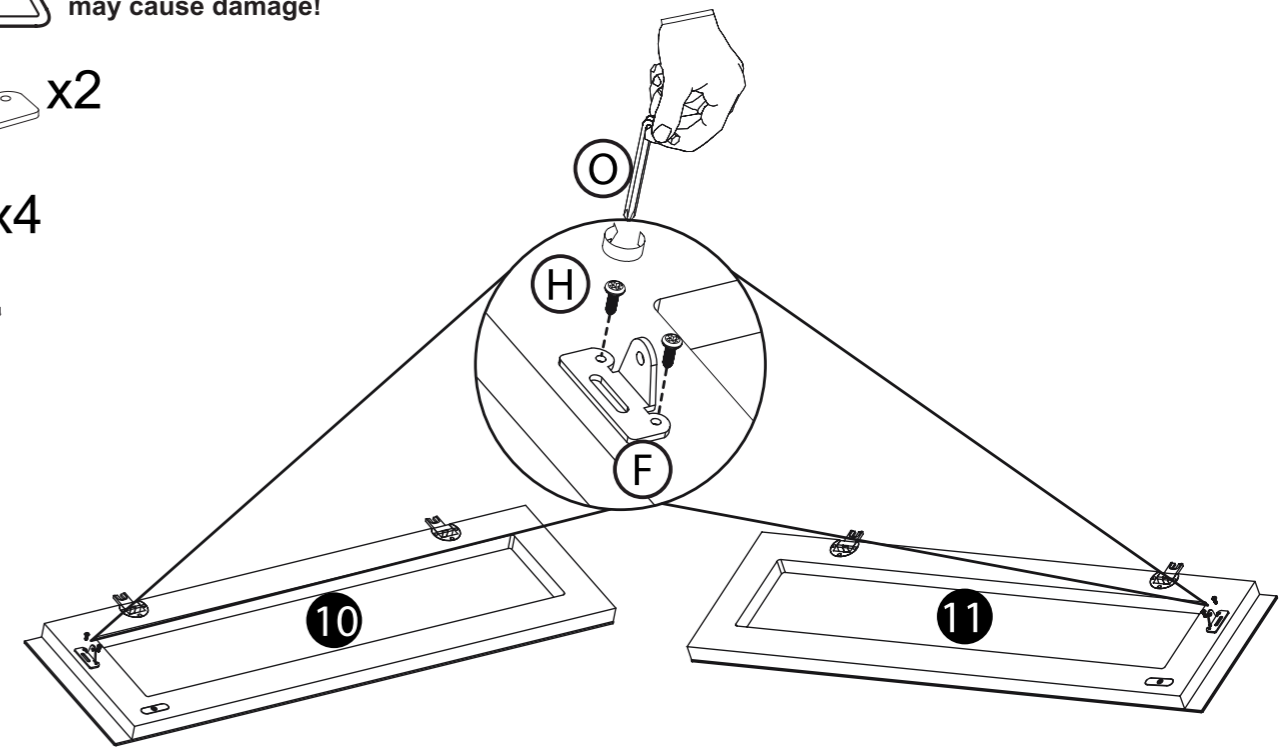
10 Take extra care not to over tighten any bolts as this may cause damage!

- (K)** x4
- (L)** x4
- (P)**



11 Take extra care not to over tighten any screws as this may cause damage!

- (F)** x2
- (H)** x4
- (O)**



9 Take extra care not to over tighten any screws as this may cause damage!

- (N)** x10
- (P)**

